



US00D339174S

United States Patent [19]

[11] Patent Number: **Des. 339,174**

Houry et al.

[45] Date of Patent: **** Sep. 7, 1993**

[54] TOY ROCKER

[75] Inventors: **Robert L. Houry, Solon; James F. Mariol, Cincinnati, both of Ohio**

[73] Assignee: **The Little Tikes Company, Hudson, Ohio**

[**] Term: **14 Years**

[21] Appl. No.: **822,834**

[22] Filed: **Jan. 21, 1992**

[52] U.S. Cl. **D21/66; D21/87**

[58] Field of Search **D21/66, 68-70, D21/87; 446/325; 472/95, 102**

[56] References Cited

U.S. PATENT DOCUMENTS

D. 54,879	4/1920	Van Wuyckhupe	D21/68
D. 152,524	2/1949	Flatt	D21/68
D. 154,441	7/1949	Tomain	D21/68
D. 162,245	2/1951	Smith	D21/68
D. 315,929	4/1991	Bush	D21/68

OTHER PUBLICATIONS

Pp. 11 and 17, Rockers, The Little Tikes Company, 2180 Barlow Road, Hudson, Ohio 44236. Publication date 1986.

Pp. 19, 20 44 and 52, Rockers, The Little Tikes Com-

pany, 2180 Barlow Road, Hudson, Ohio 44236. Publication date 1988.

Pp. 62 and 75, Rockers, The Little Tikes Company, 2180 Barlow Road, Hudson, Ohio 44236. Publication date 1991.

P. 2, Rockers, Flexible Flyer Company, 100 Tubb Avenue, West Point, Miss. 39773. Publication date 1991.

Page 65, Rocker, Kaplan School Supply Corporation, 1310 Lewisville-Clemmons Road, Lewisville, NC 27023. Publication date 1986/1987.

Primary Examiner—Bernard Ansher

Assistant Examiner—Dominic Simone

Attorney, Agent, or Firm—Richard B. O'Planick; Lisa B. Riedesel

[57] CLAIM

The ornamental design for a toy rocker, as shown and described.

DESCRIPTION

FIG. 1 is a top right side perspective view of a toy rocker showing our new design;

FIG. 2 is a side elevational view thereof; the opposite side being a mirror image;

FIG. 3 is a rear elevational view thereof;

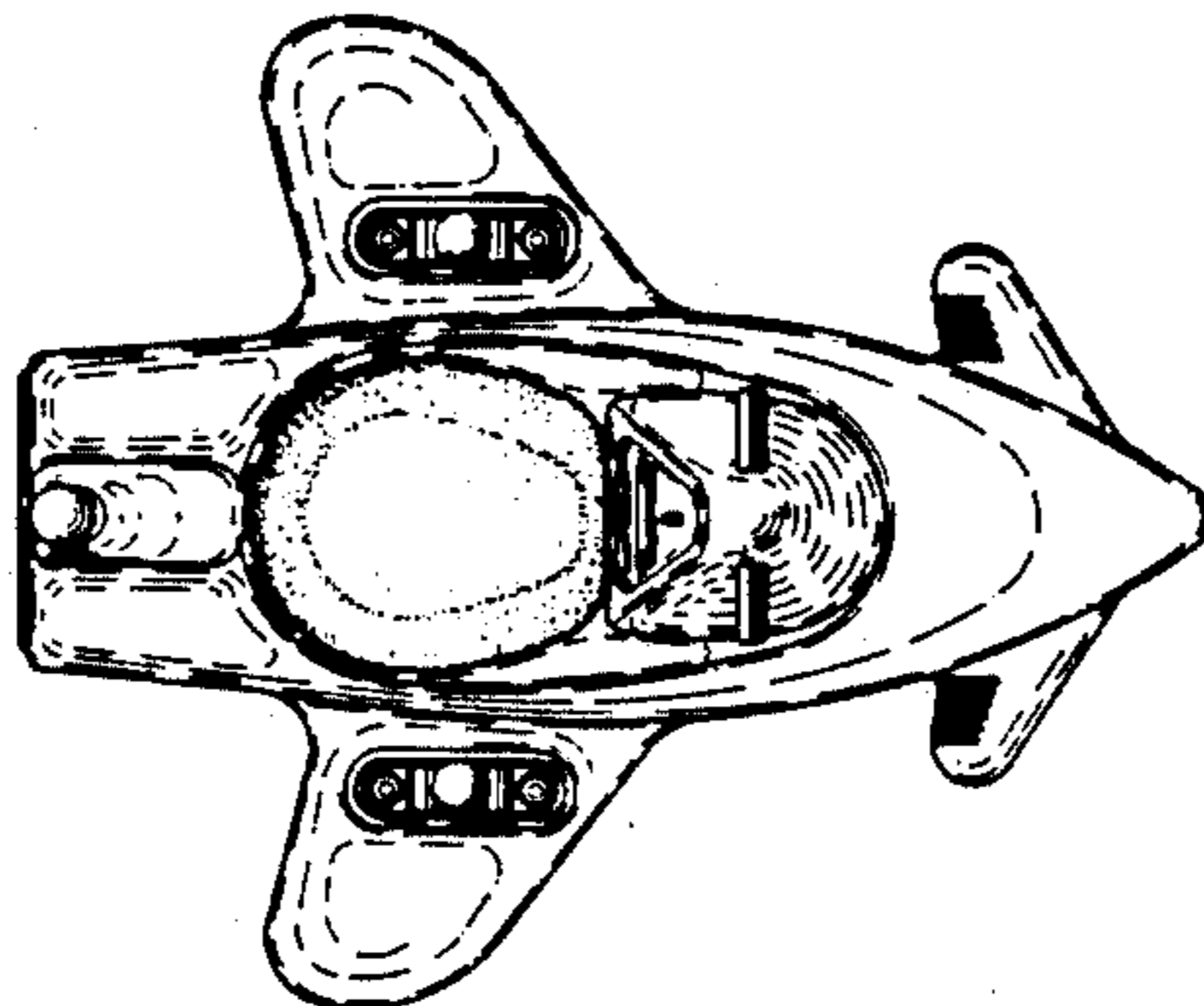
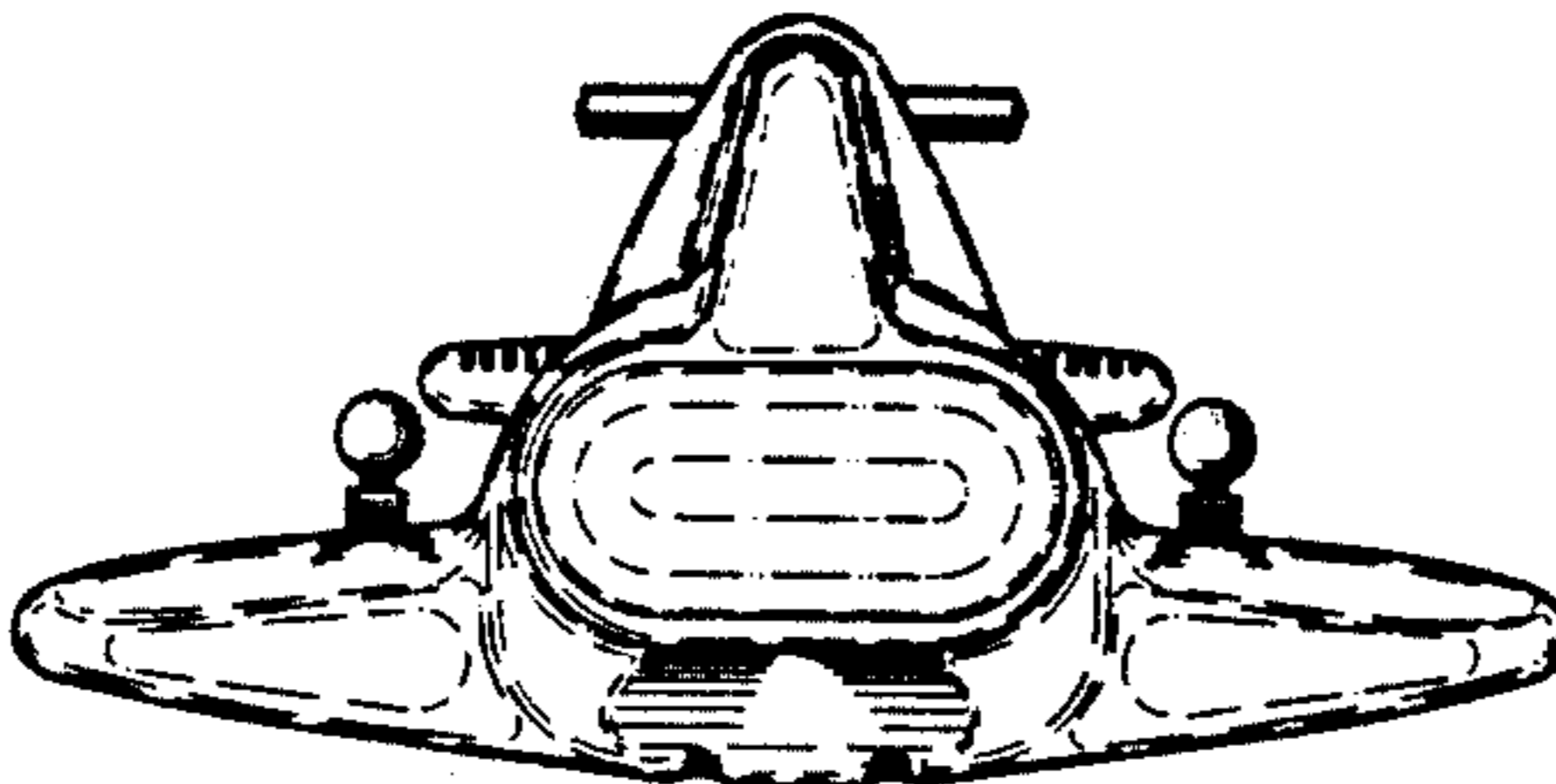
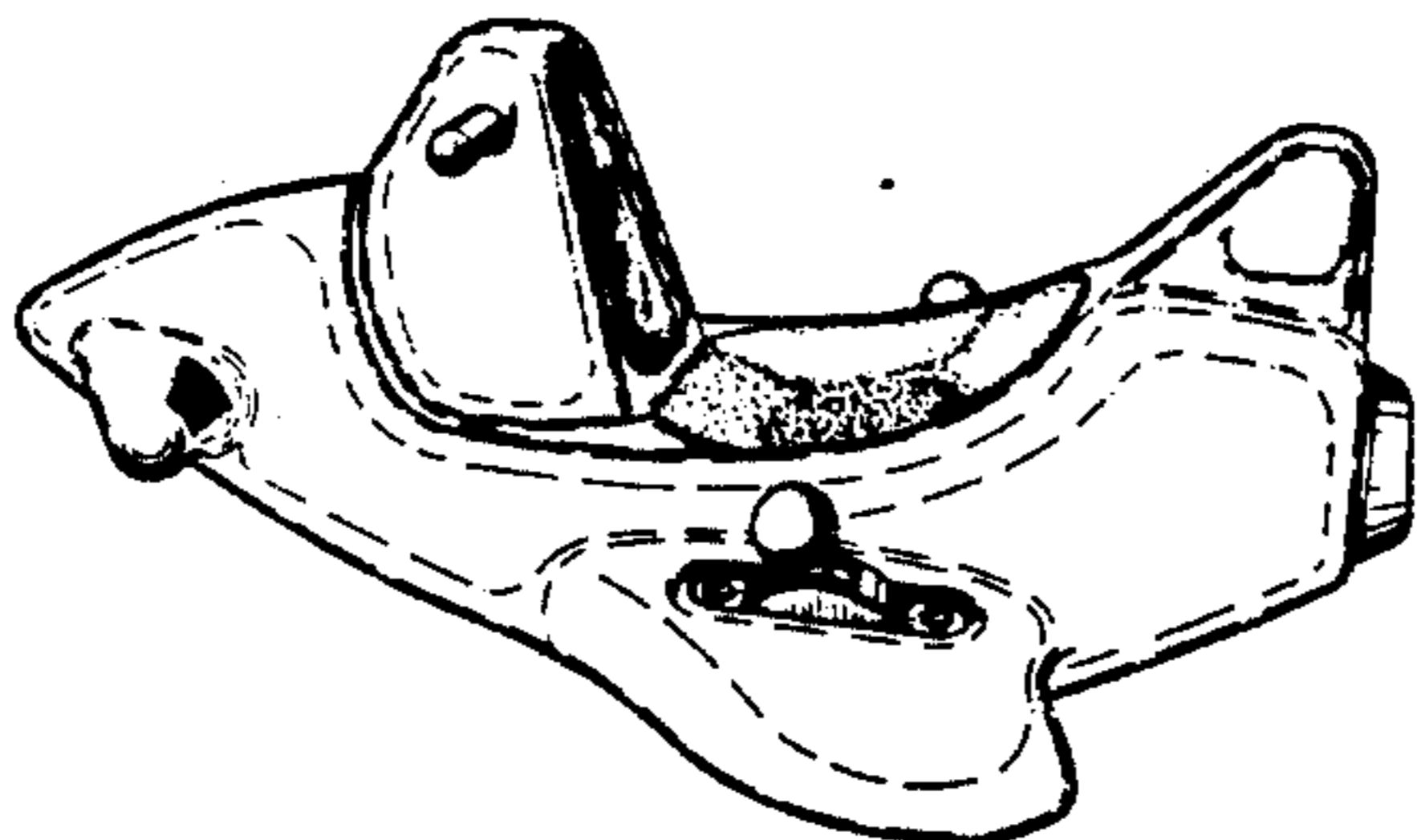
FIG. 4 is a front elevational view thereof;

FIG. 5 is a top plan view thereof;

FIG. 6 is a bottom plan view thereof;

FIG. 7 is a rear elevational view of an alternate embodiment of a toy rocker showing our new design; and,

FIG. 8 is a top plan view of the alternate embodiment.



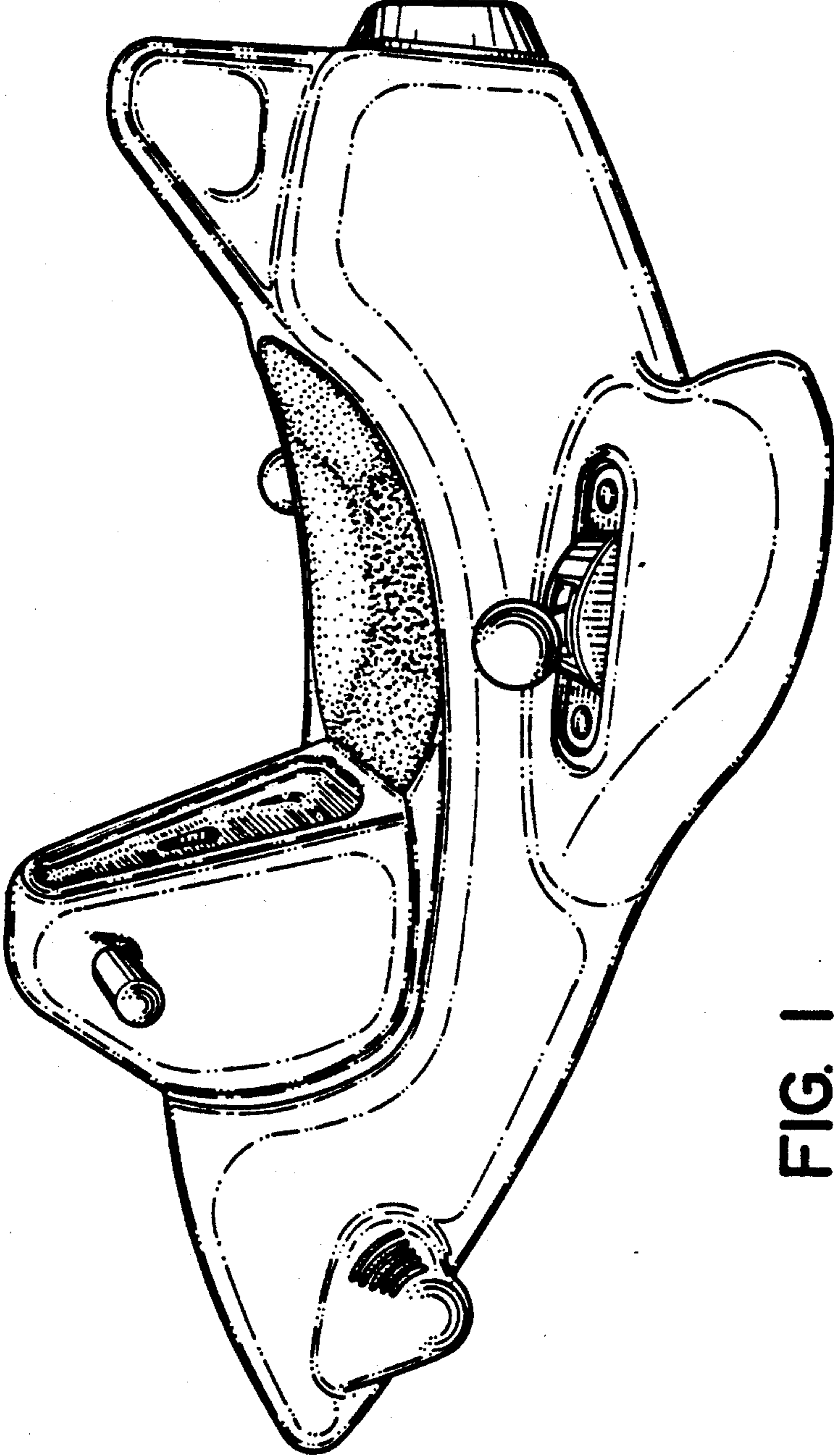


FIG. 1

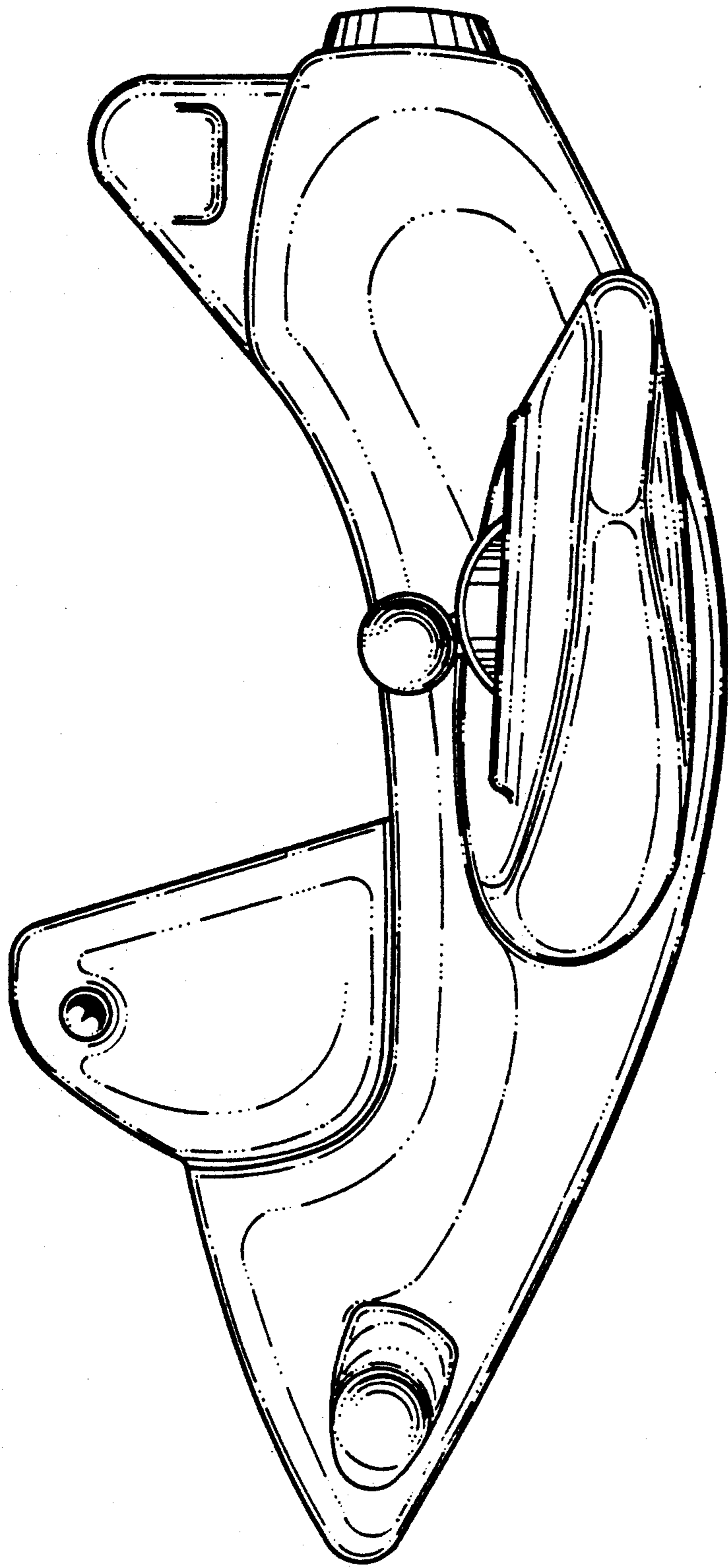


FIG. 2

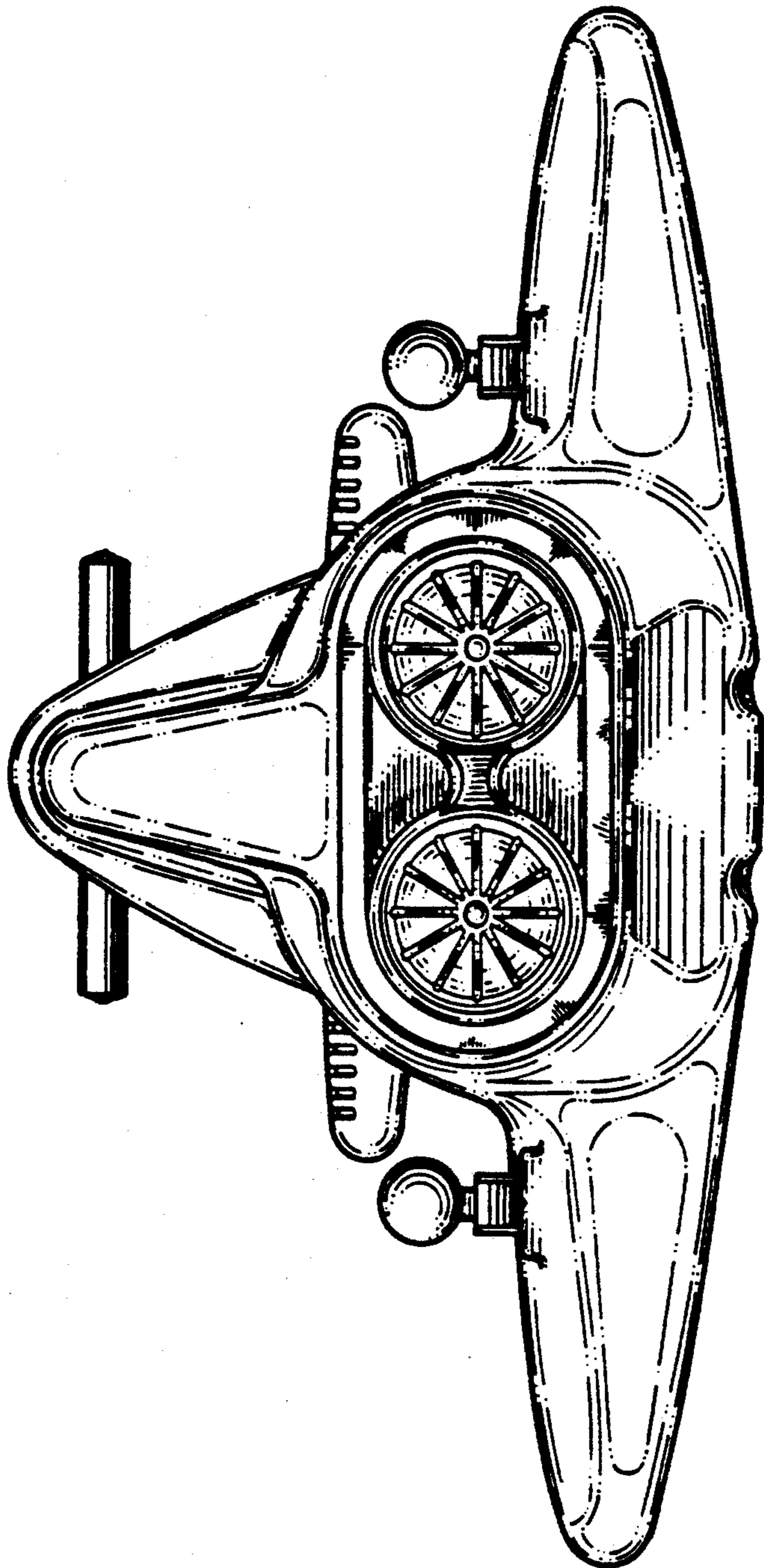


FIG. 3

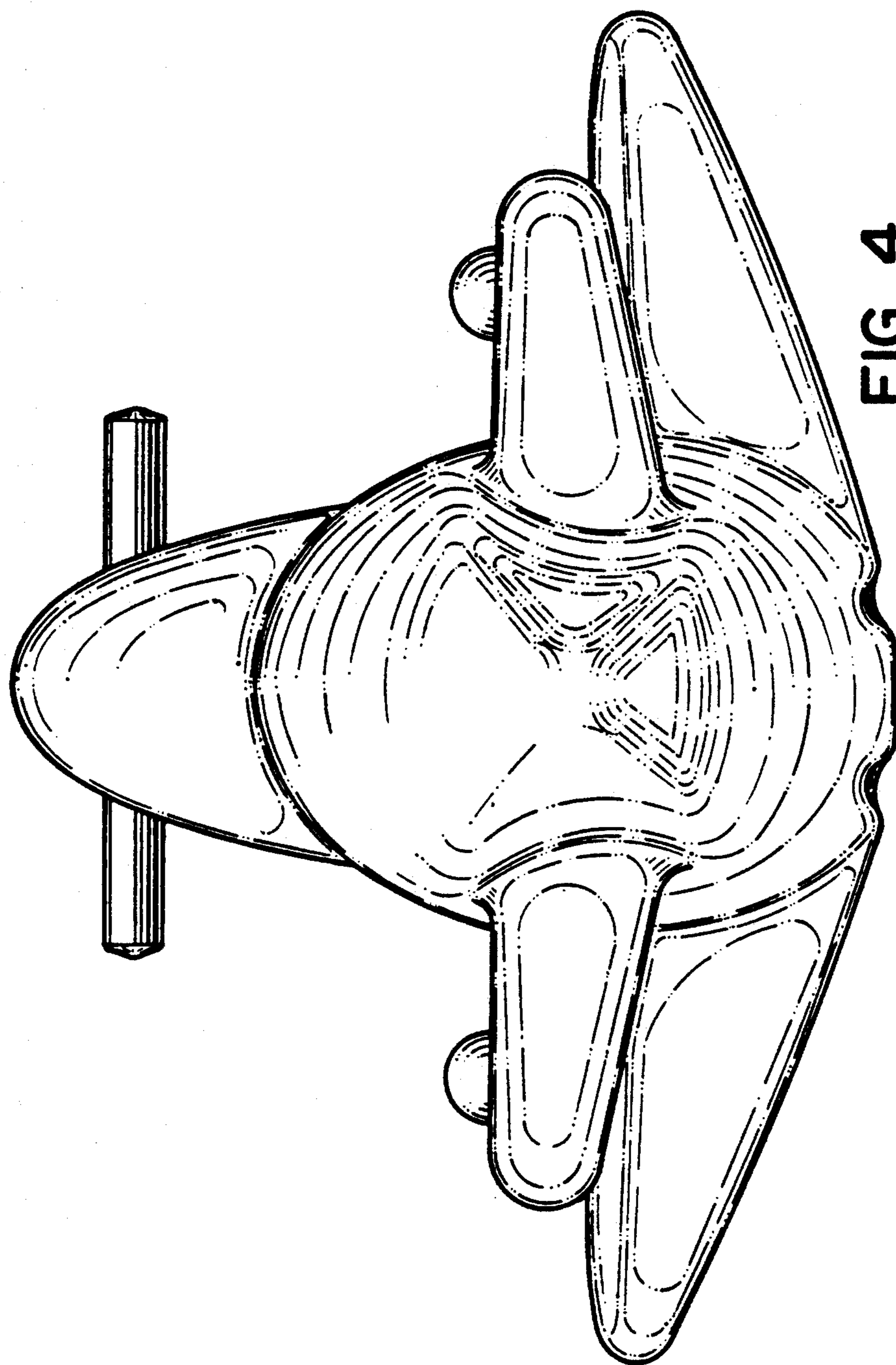


FIG. 4

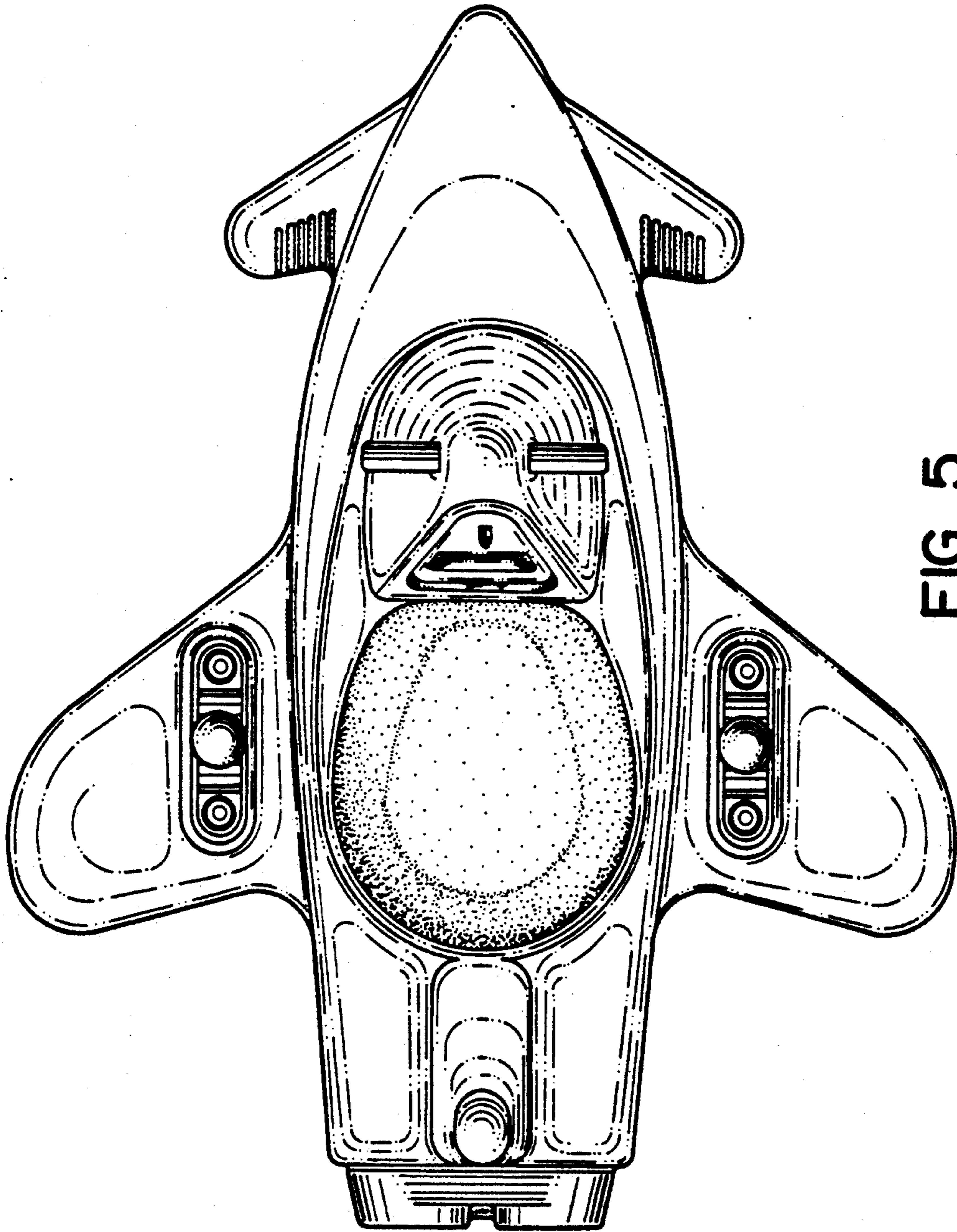


FIG. 5

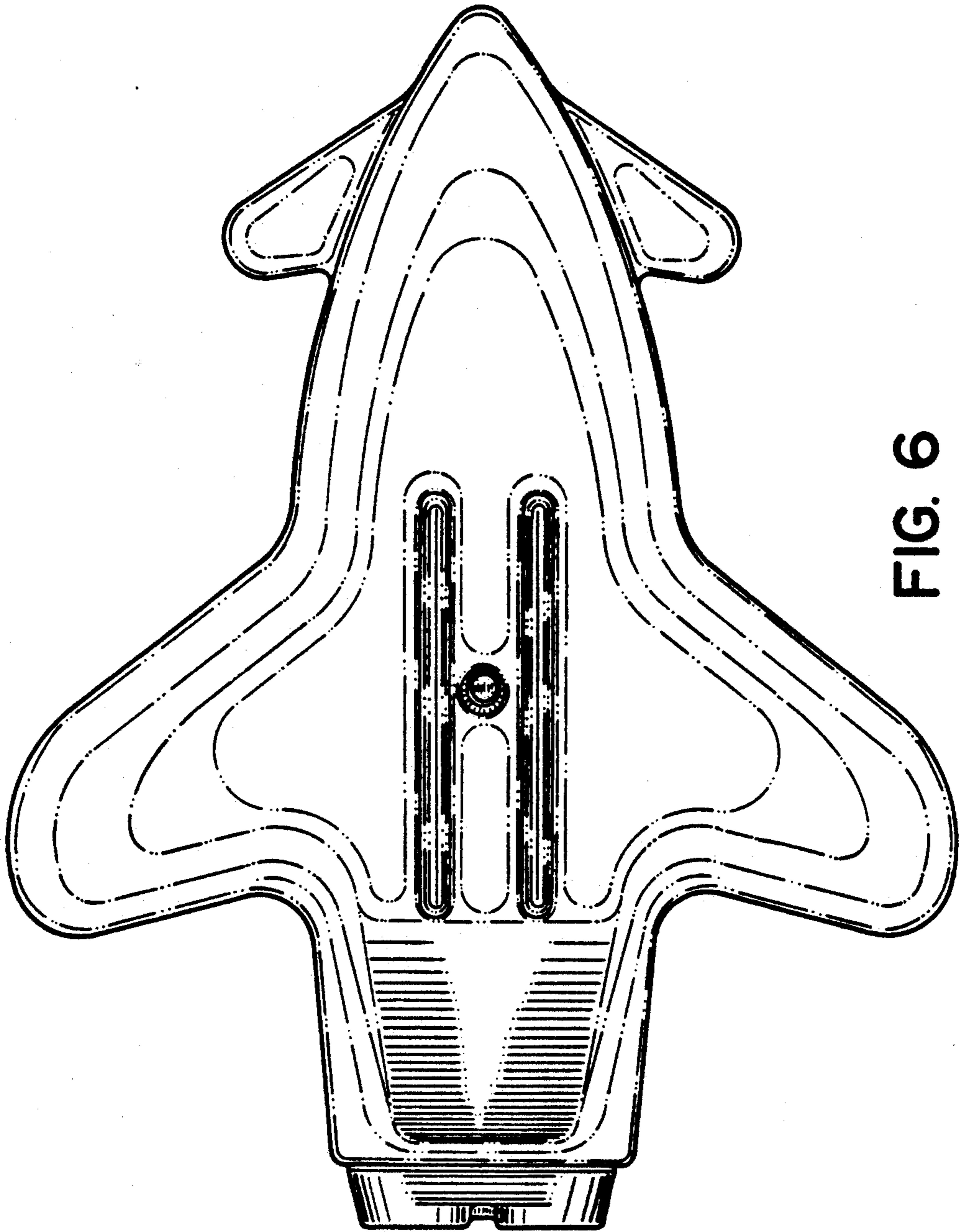


FIG. 6

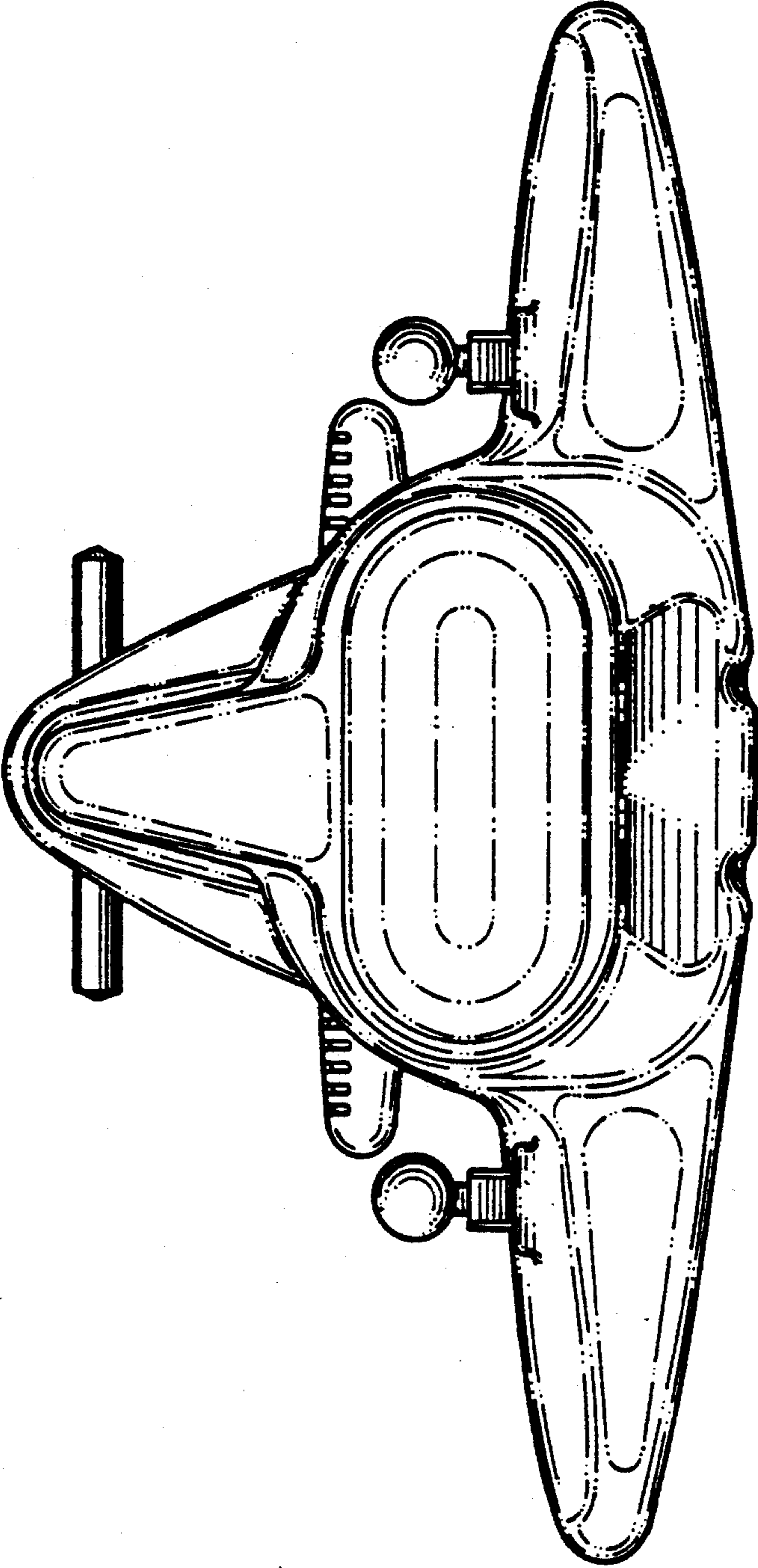


FIG. 7

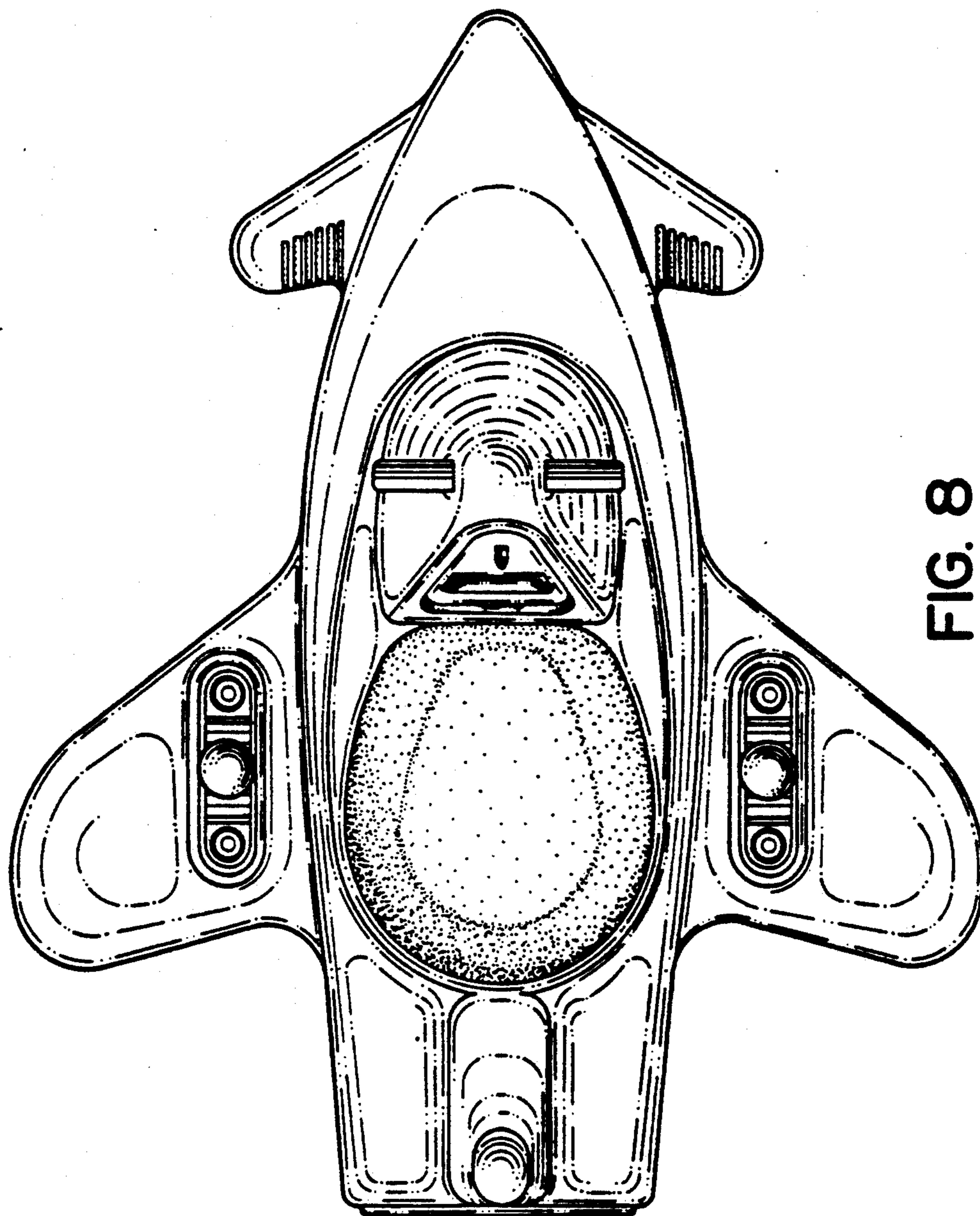


FIG. 8