



US00D339163S

United States Patent [19]

[11] Patent Number: **Des. 339,163**

Moore

[45] Date of Patent: **** Sep. 7, 1993**

[54] **PERSONAL CARE PRODUCTS VENDING MACHINE**

3,437,235 4/1969 Guerra 221/75
3,767,081 10/1973 Wittern D20/4 X
4,893,705 1/1990 Brown D20/4 X

[76] Inventor: **Larry E. Moore, 3617 Meadowlark Dr., Augusta, Ga. 30906**

Primary Examiner—Bernard Ansher
Assistant Examiner—Paula A. Mortimer
Attorney, Agent, or Firm—Terry M. Gernstein

[**] Term: **14 Years**

[21] Appl. No.: **758,072**

[57] CLAIM

[22] Filed: **Sep. 12, 1991**

The ornamental design for a personal care products vending machine, as shown and described.

[52] U.S. Cl. **D20/4**

[58] Field of Search **D20/4, 5; 194/350, 236, 194/237, 248, 255; 221/75, 96, 131, 282, 155; D99/28**

DESCRIPTION

[56] References Cited

U.S. PATENT DOCUMENTS

D. 204,044 3/1966 Bayly D20/4 X
D. 258,513 3/1981 Brazil D20/4
D. 294,271 2/1988 Glaser D20/4
D. 297,440 8/1988 King, III D20/4
1,839,480 1/1932 Hochriem 194/236

FIG. 1 is a perspective view of the personal care products vending machine embodying the design of the present invention;

FIG. 2 is a front elevational view thereof;

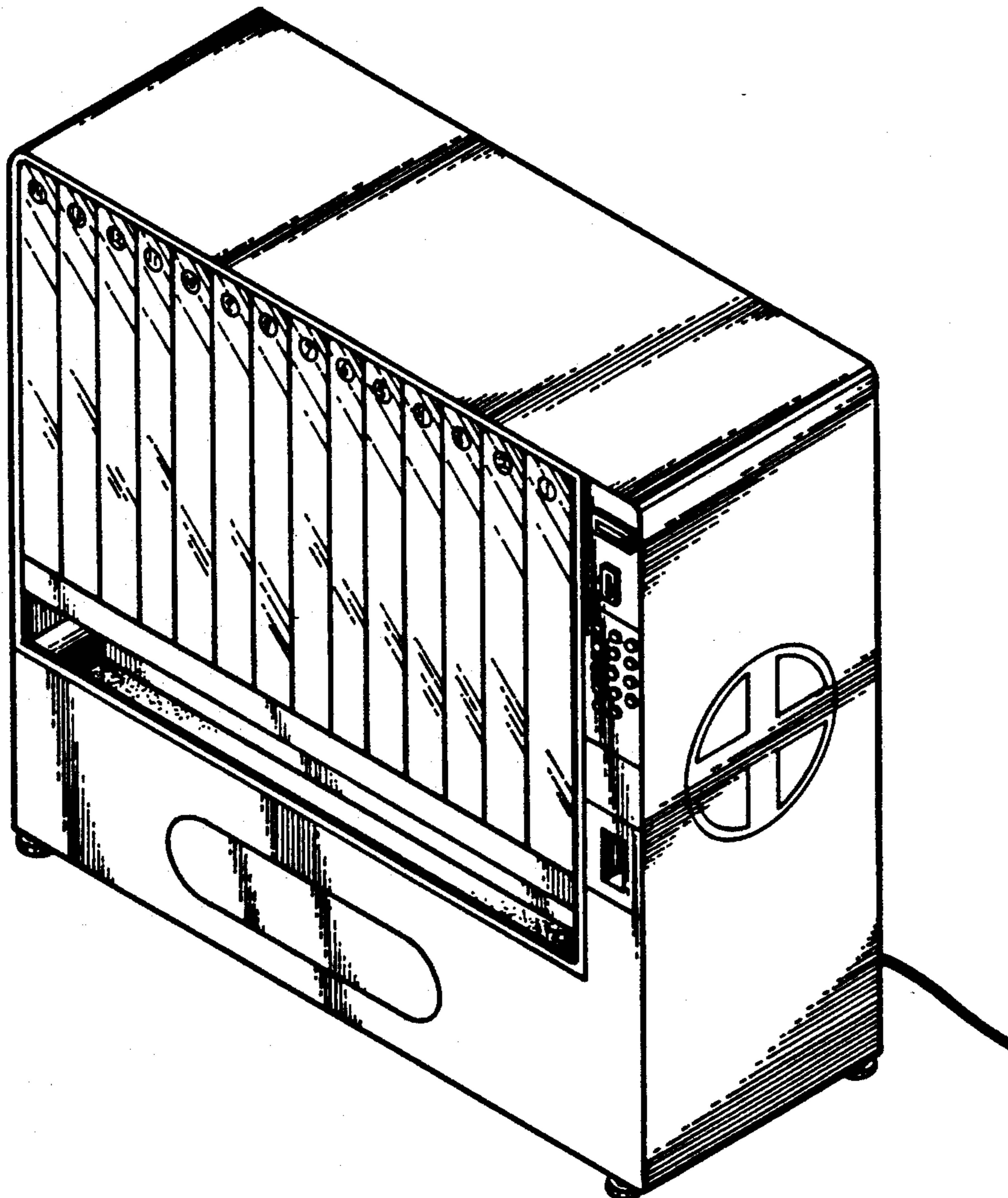
FIG. 3 is a rear elevational view thereof;

FIG. 4 is a side elevational view thereof;

FIG. 5 is a side elevational view thereof;

FIG. 6 is a top plan view thereof; and,

FIG. 7 is a bottom view thereof.



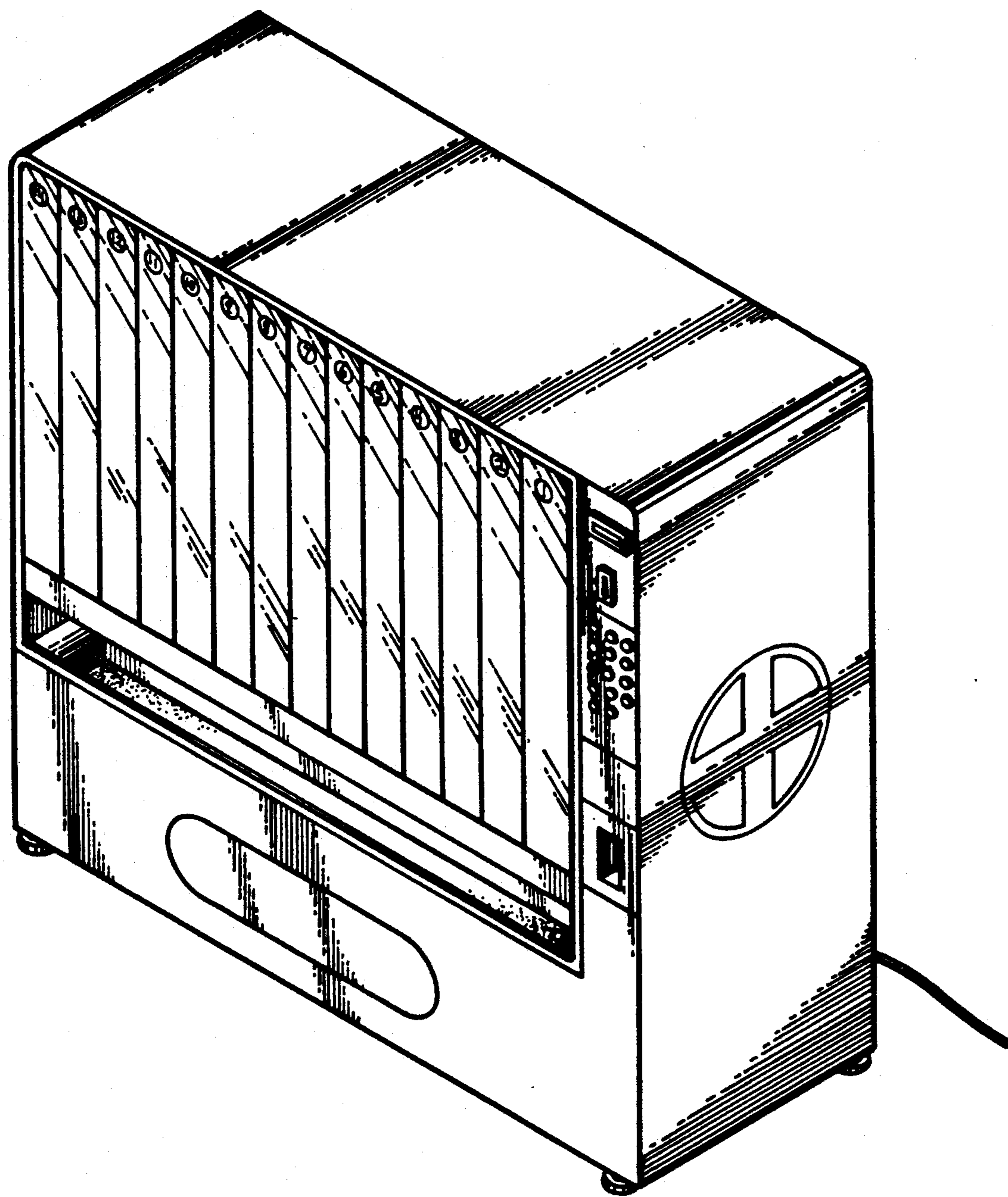


FIG. 1

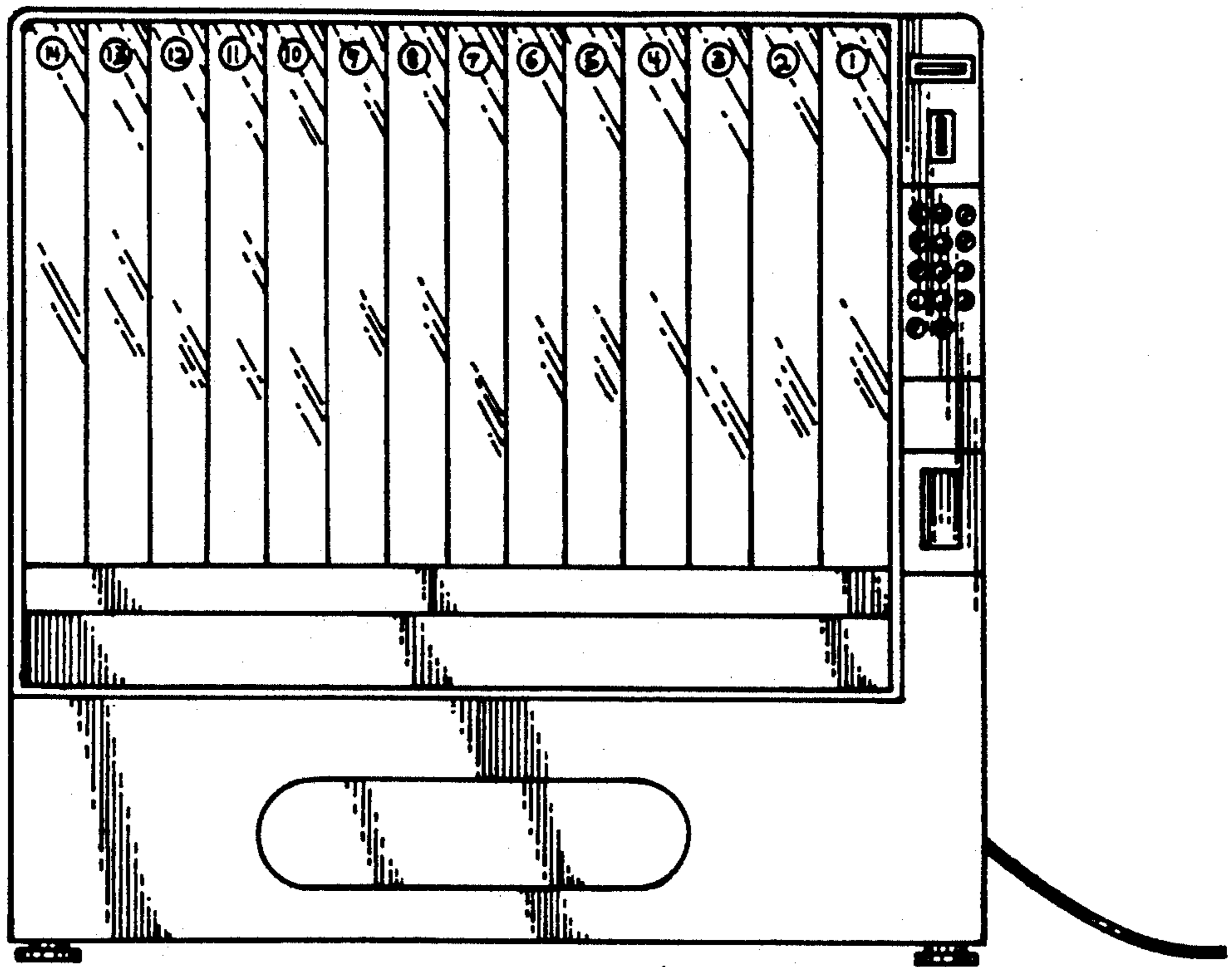


FIG. 2

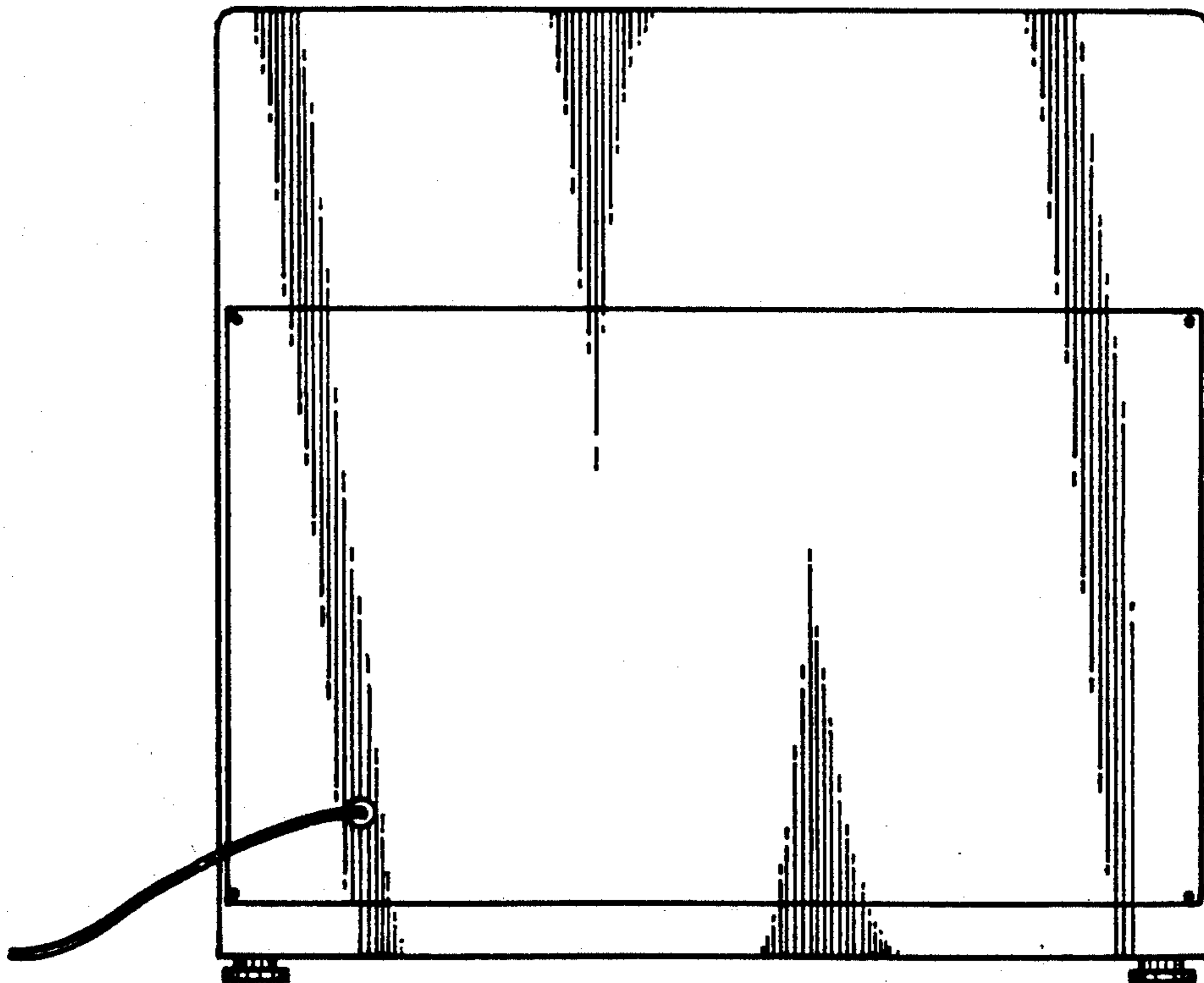


FIG. 3

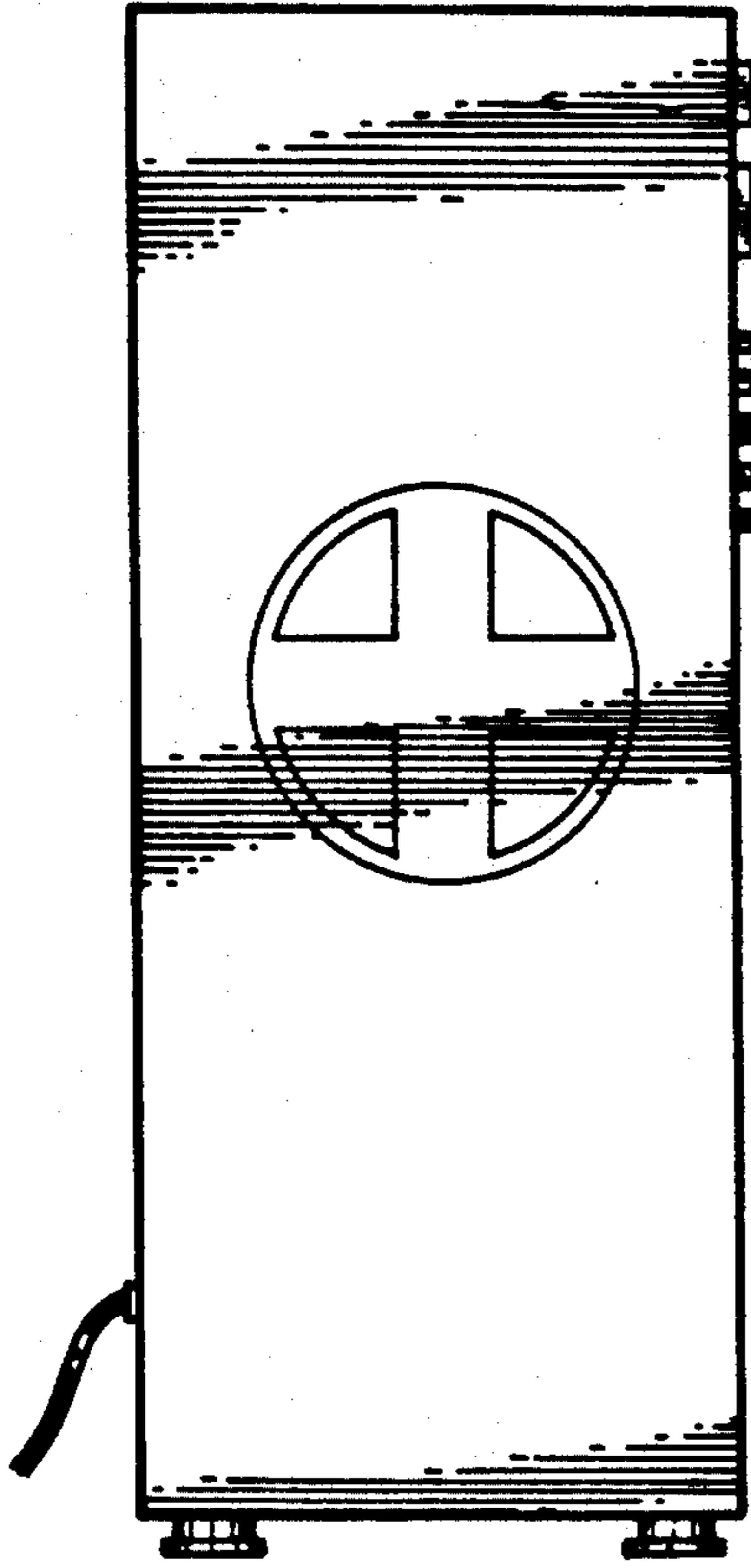


FIG. 4

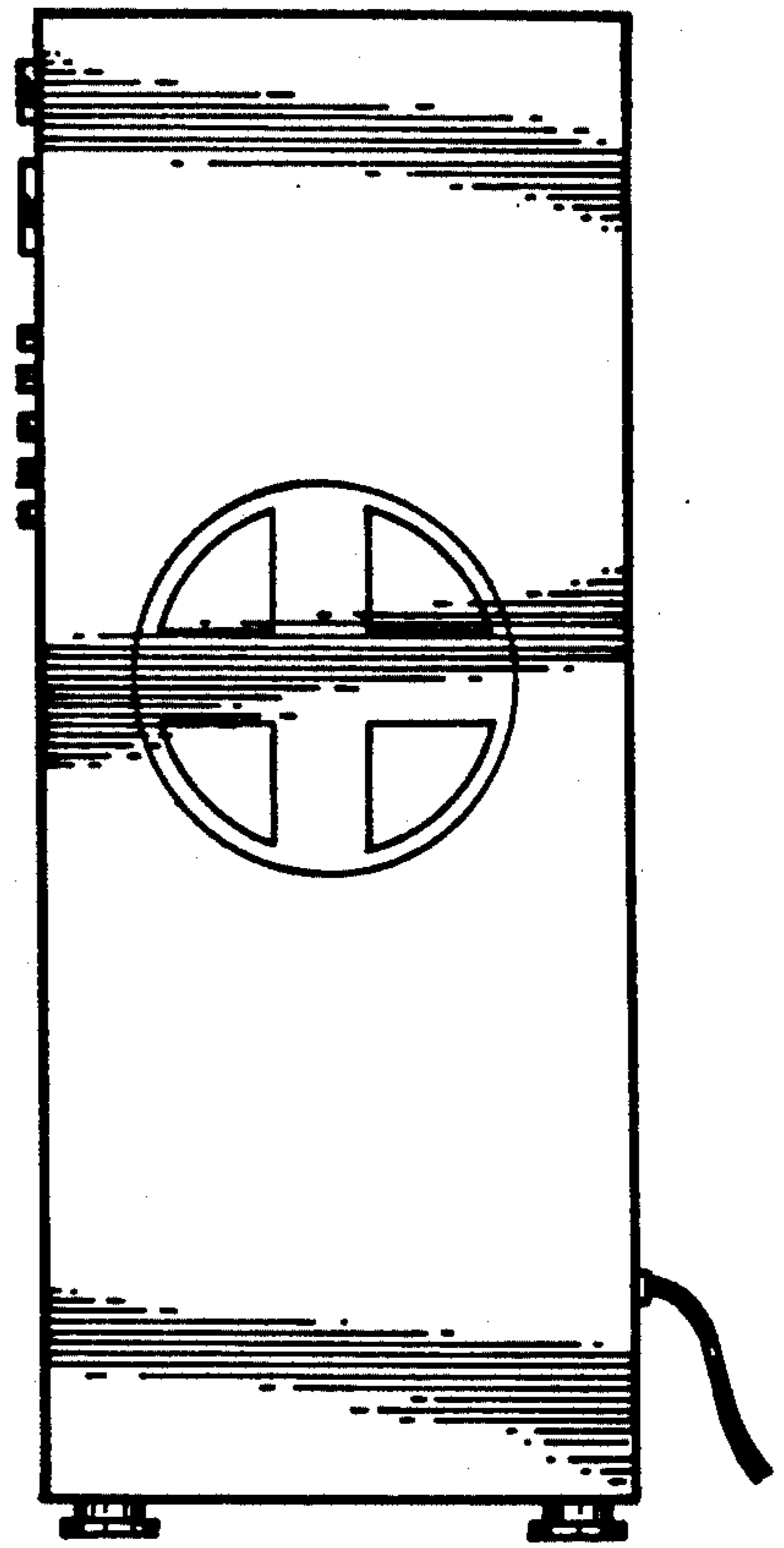


FIG. 5

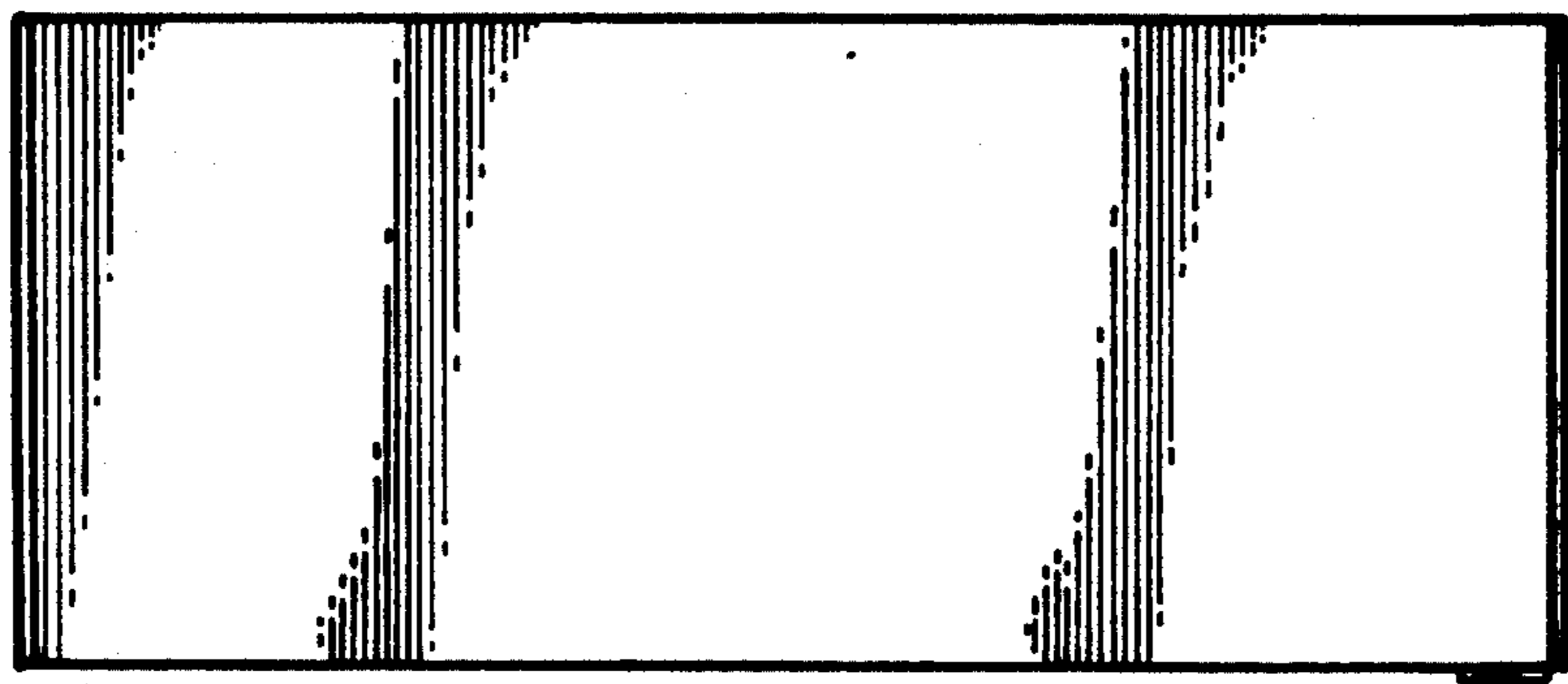


FIG. 6

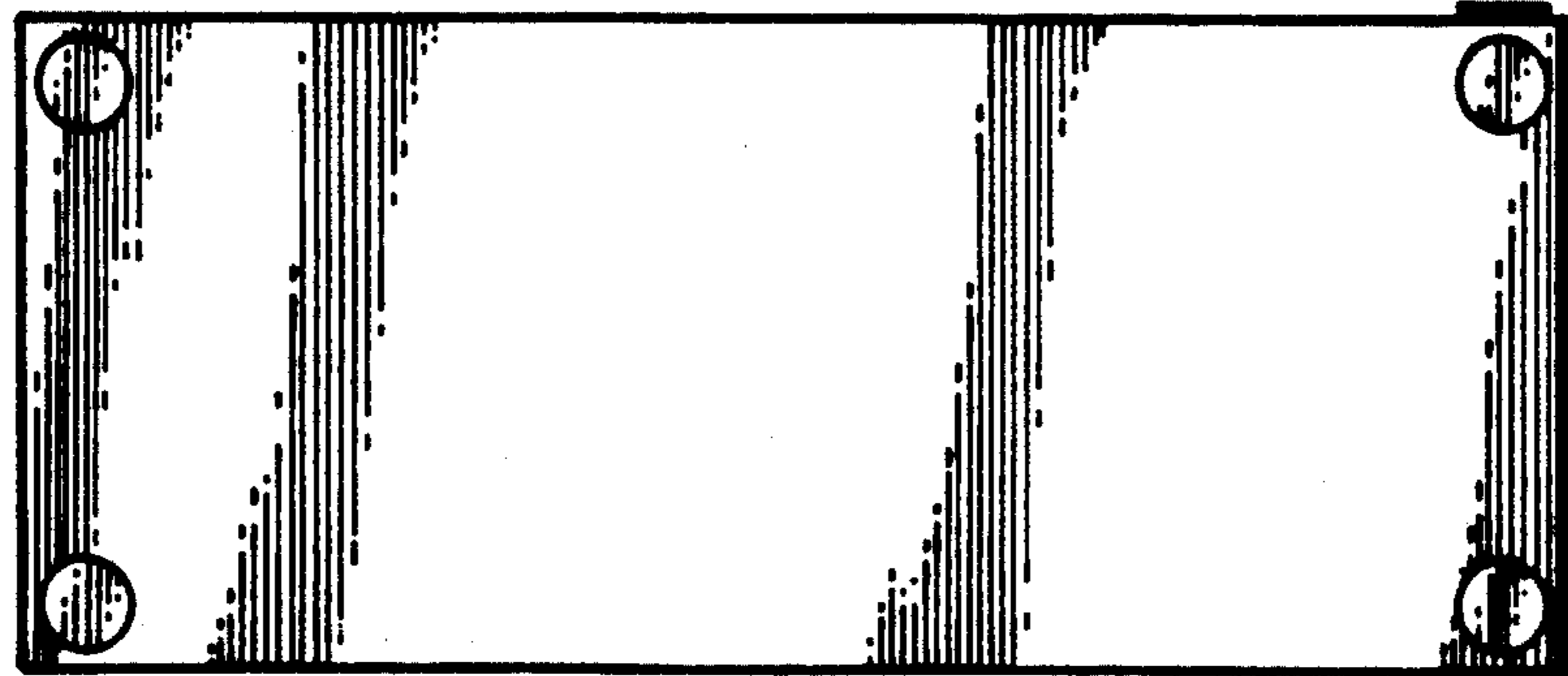


FIG. 7