



US00D339161S

# United States Patent [19]

[11] Patent Number: **Des. 339,161**

**Evenson**

[45] Date of Patent: **\*\* Sep. 7, 1993**

[54] **COMBINATION DESK UNIT WITH CALENDAR AND INDEX CARD HOLDERS**

[75] Inventor: **Mel Evenson, San Pedro, Calif.**

[73] Assignee: **Eldon Industries, Inc., Inglewood, Calif.**

[\*\*] Term: **14 Years**

[21] Appl. No.: **634,341**

[22] Filed: **Dec. 26, 1990**

[52] U.S. Cl. .... **D19/21**

[58] Field of Search ..... **D19/20, 21, 22, 23, D19/24, 25; 40/107, 109, 110, 111, 116, 117, 121, 120, 122; 283/2, 3, 4**

- D. 317,179 5/1991 Kheng .
- D. 317,180 5/1991 Leszczak .
- D. 318,985 8/1991 Szablak et al. .
- D. 323,353 1/1992 Wagner .
- D. 323,532 1/1992 Evenson .
- D. 325,313 4/1992 Evenson .
- D. 325,397 4/1992 Williams .
- D. 327,092 6/1992 Evenson .
- D. 328,099 7/1992 Williams .
- D. 329,876 9/1992 Breen .
- 1,661,288 3/1928 Hillyard ..... 40/111
- 4,176,743 12/1979 Fitzpatrick ..... D19/22
- 4,321,763 3/1982 Soucy ..... 40/120
- 4,475,022 10/1984 Polhemus .
- 4,768,298 9/1988 Polhemus et al. .

[56] **References Cited**

**U.S. PATENT DOCUMENTS**

- D. 209,882 1/1968 Anderson .
- D. 252,935 9/1979 Henkels .
- D. 256,809 9/1980 Evenson .
- D. 260,906 9/1981 Grusing .
- D. 266,675 10/1982 Polhemus et al. .
- D. 267,959 2/1983 Cheung .
- D. 270,256 8/1983 Sankey .
- D. 270,549 9/1983 Burton .
- D. 278,252 4/1985 Evenson .
- D. 278,253 4/1985 Evenson .
- D. 278,254 4/1985 Evenson .
- D. 278,255 4/1985 Evenson .
- D. 279,384 6/1985 Evenson .
- D. 290,852 7/1987 Wang .
- D. 301,590 6/1989 Foran et al. .
- D. 303,813 10/1989 Foran et al. .
- D. 304,460 11/1989 Holterscheidt .
- D. 305,246 12/1989 Kirchhoff .
- D. 305,553 1/1990 Pugliese .
- D. 316,565 4/1991 Rust .
- D. 317,178 5/1991 Kheng .

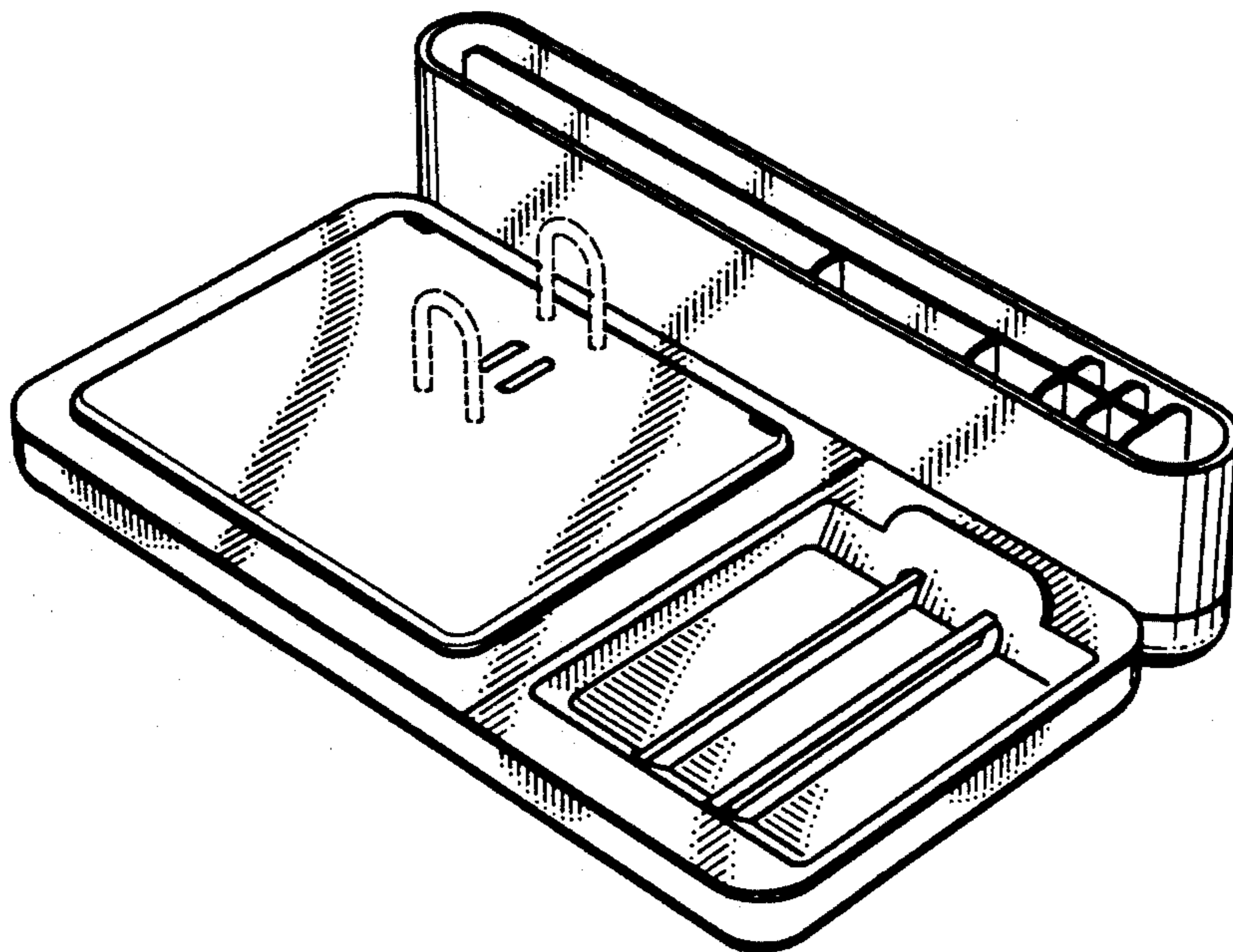
*Primary Examiner*—Wallace R. Burke  
*Assistant Examiner*—Marcus Jackson  
*Attorney, Agent, or Firm*—Richard B. O'Planick; Lisa B. Riedesel

[57] **CLAIM**

The ornamental design for a combination desk unit with calendar and index card holders, as shown and described.

**DESCRIPTION**

FIG. 1 is a front elevational view of a combination desk unit with calendar and index card holders showing my new design, with the broken line showing for illustrative purposes only and forming no part of the claimed design;  
FIG. 2 is a rear elevational view;  
FIG. 3 is a top plan view;  
FIG. 3 is a bottom plan view;  
FIG. 5 is a right side elevational view;  
FIG. 6 is a left side elevational view;  
FIG. 7 is a left side elevational view showing the calendar holder in an upright position; and,  
FIG. 8 is a perspective view thereof.



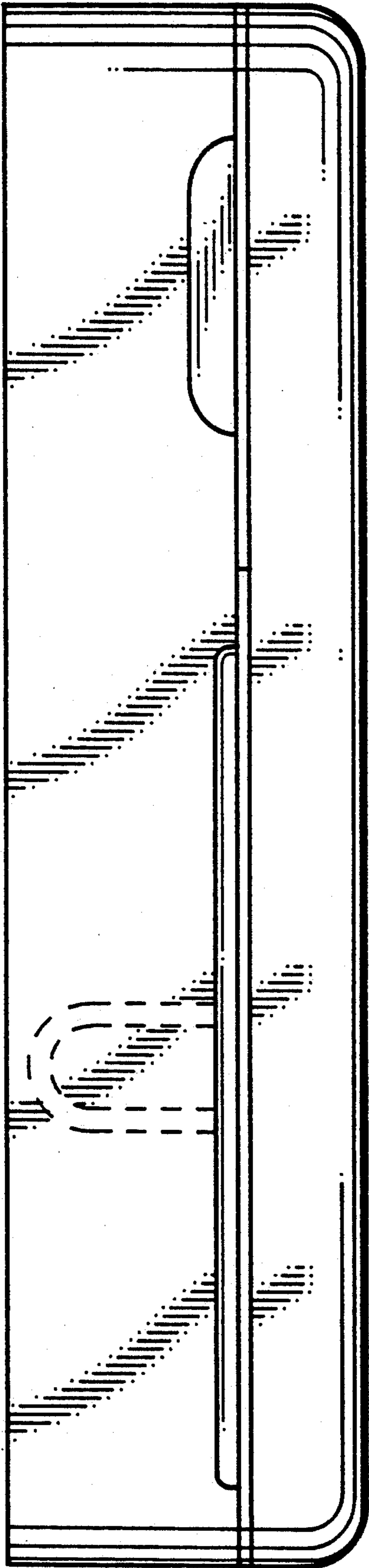


FIG. 1

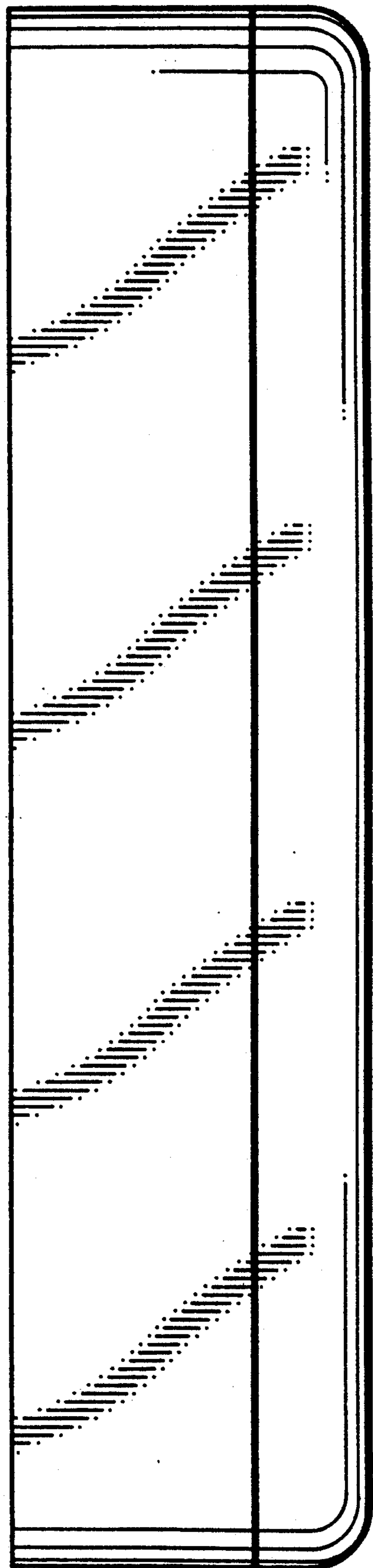


FIG. 2

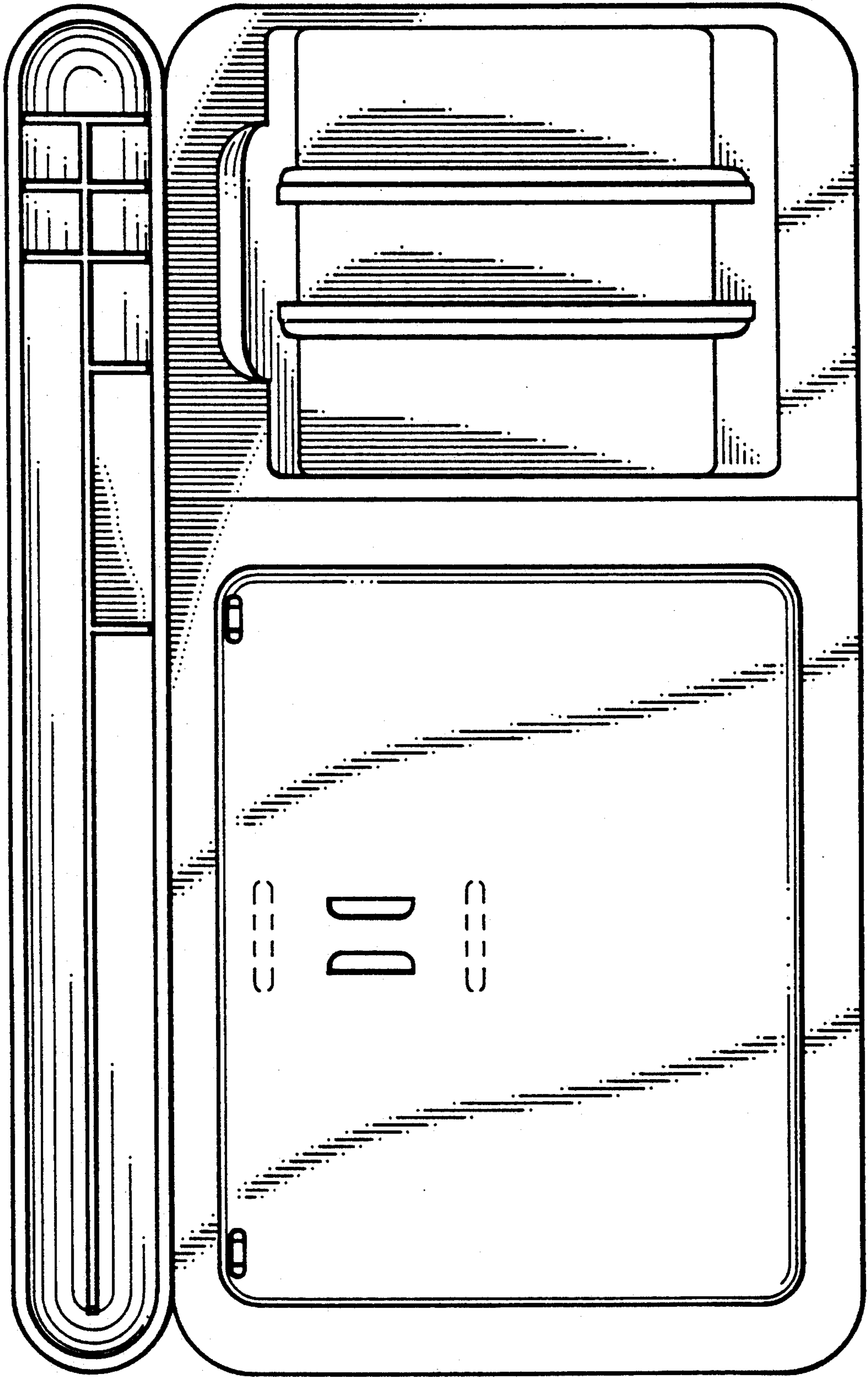


FIG. 3

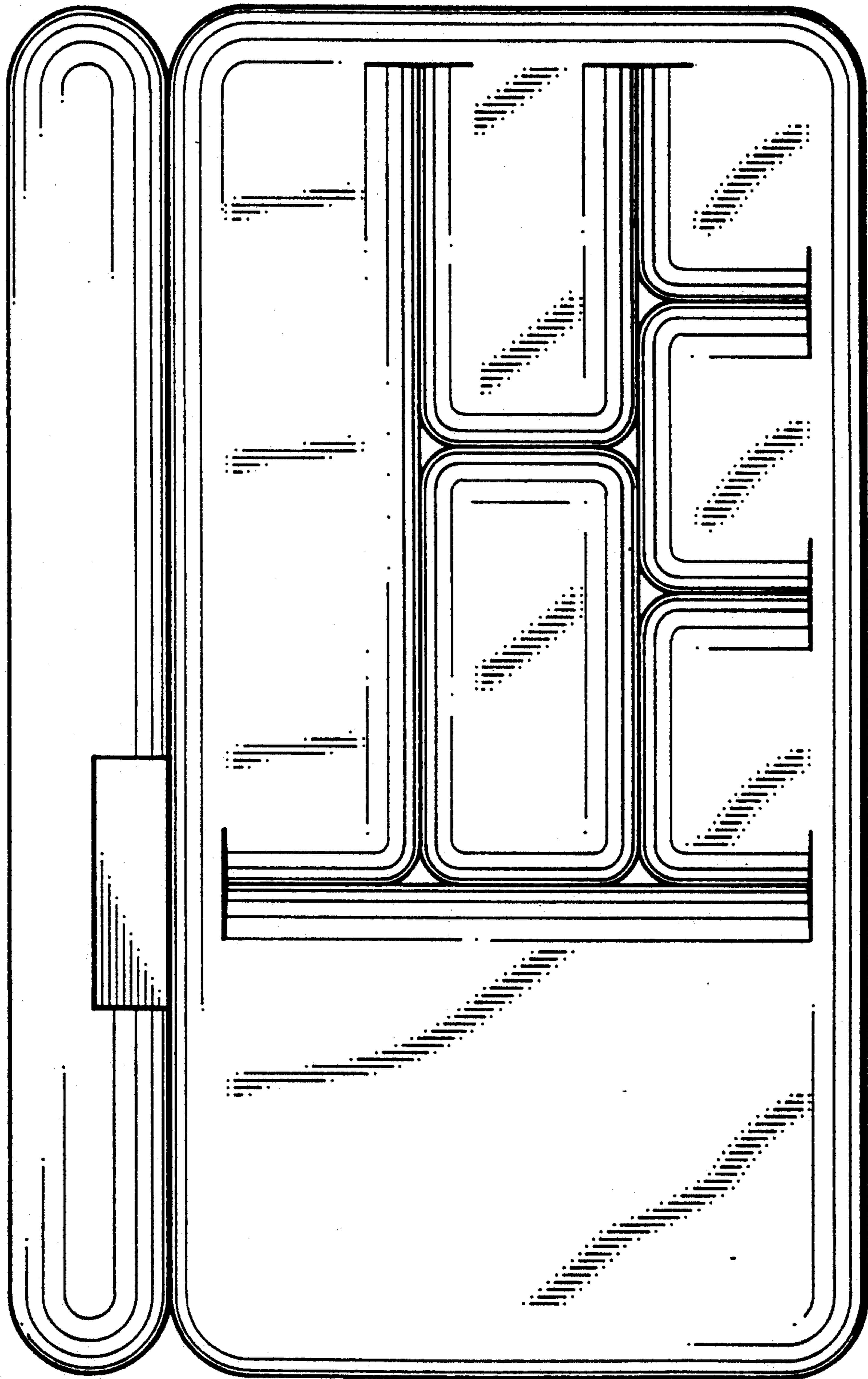
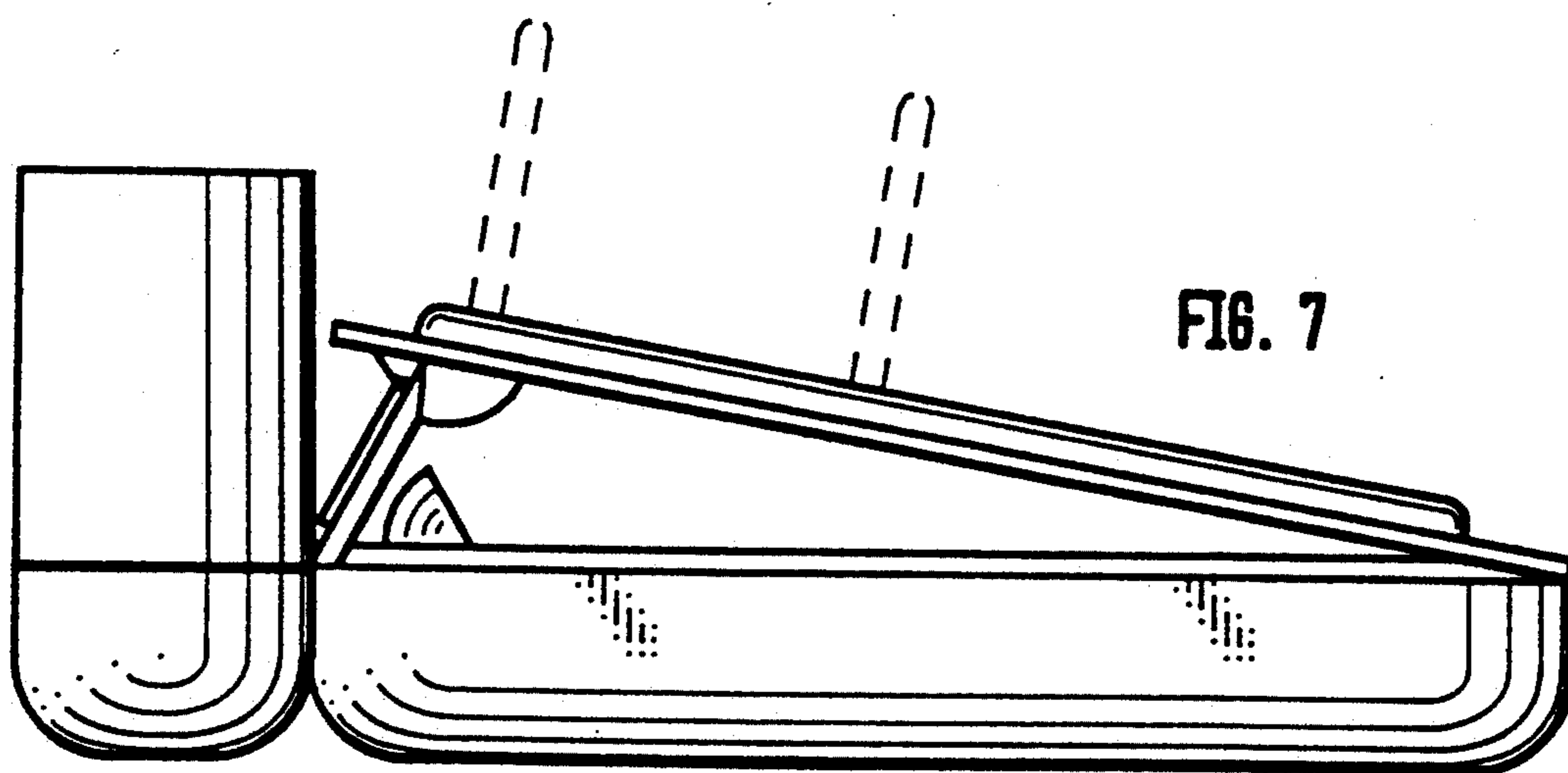
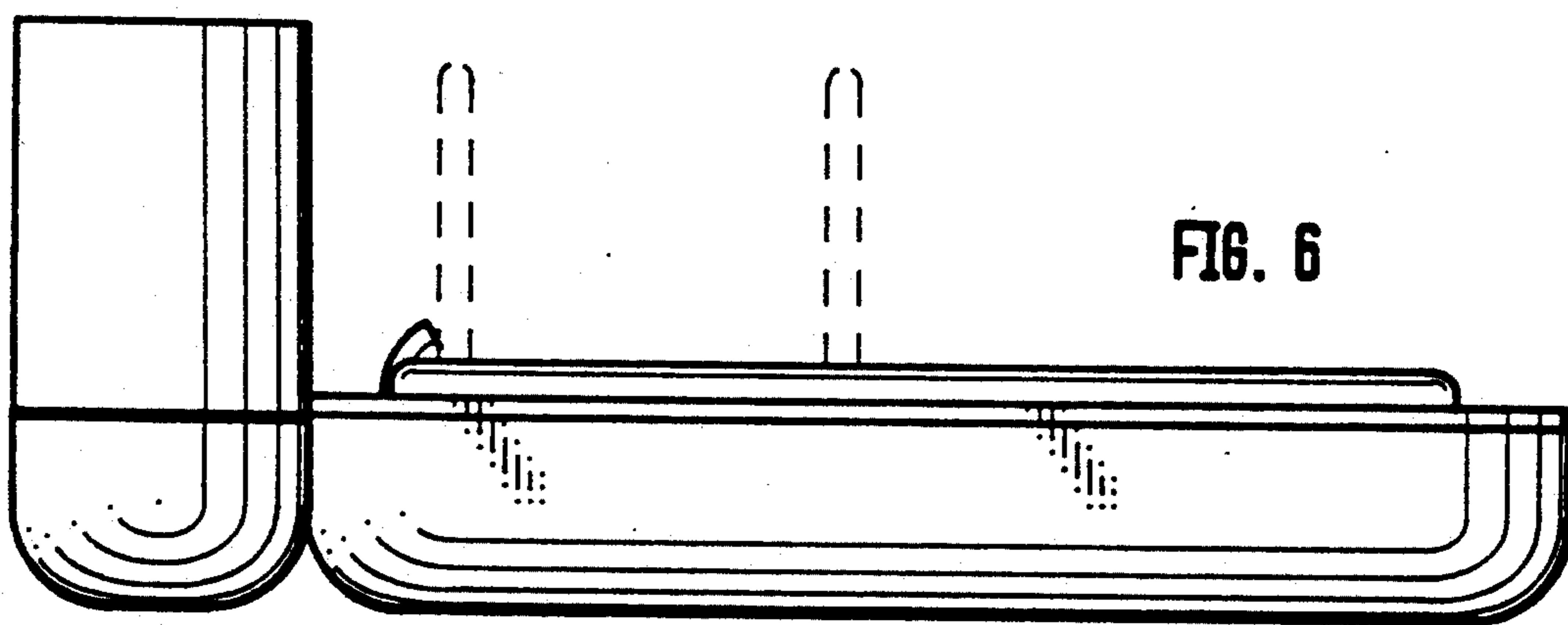
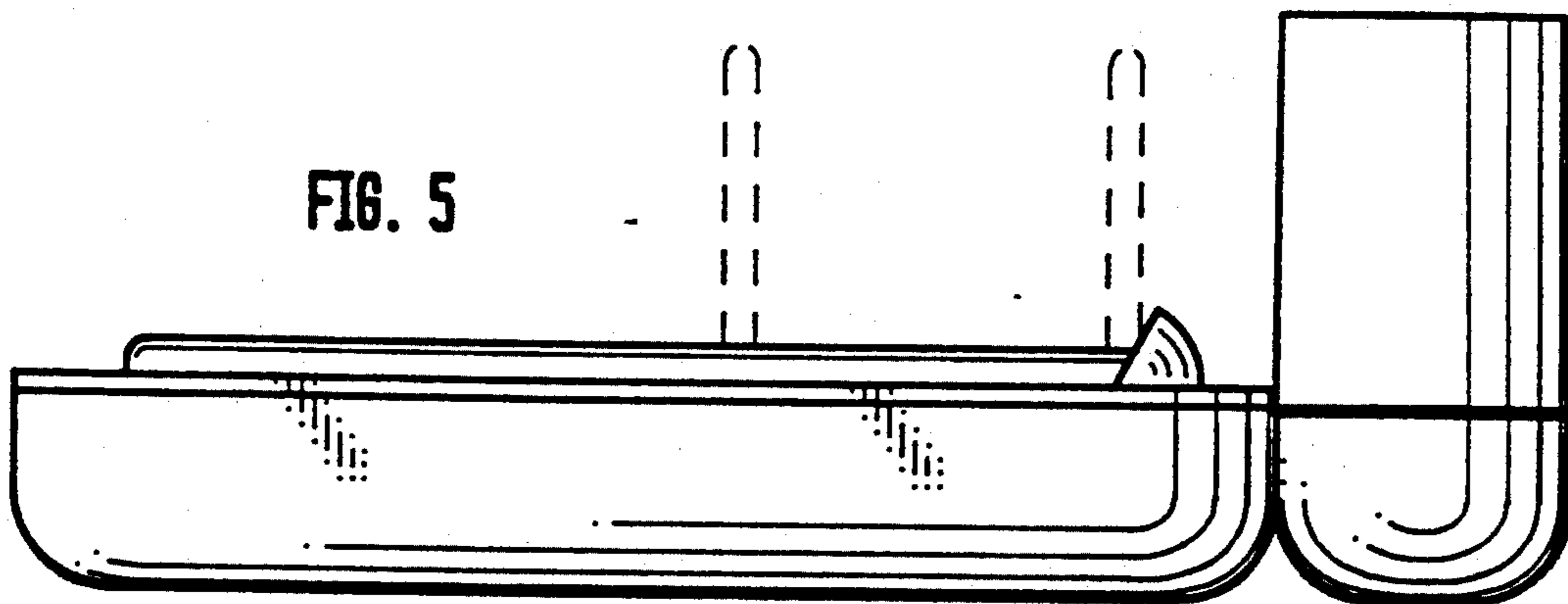


FIG. 4



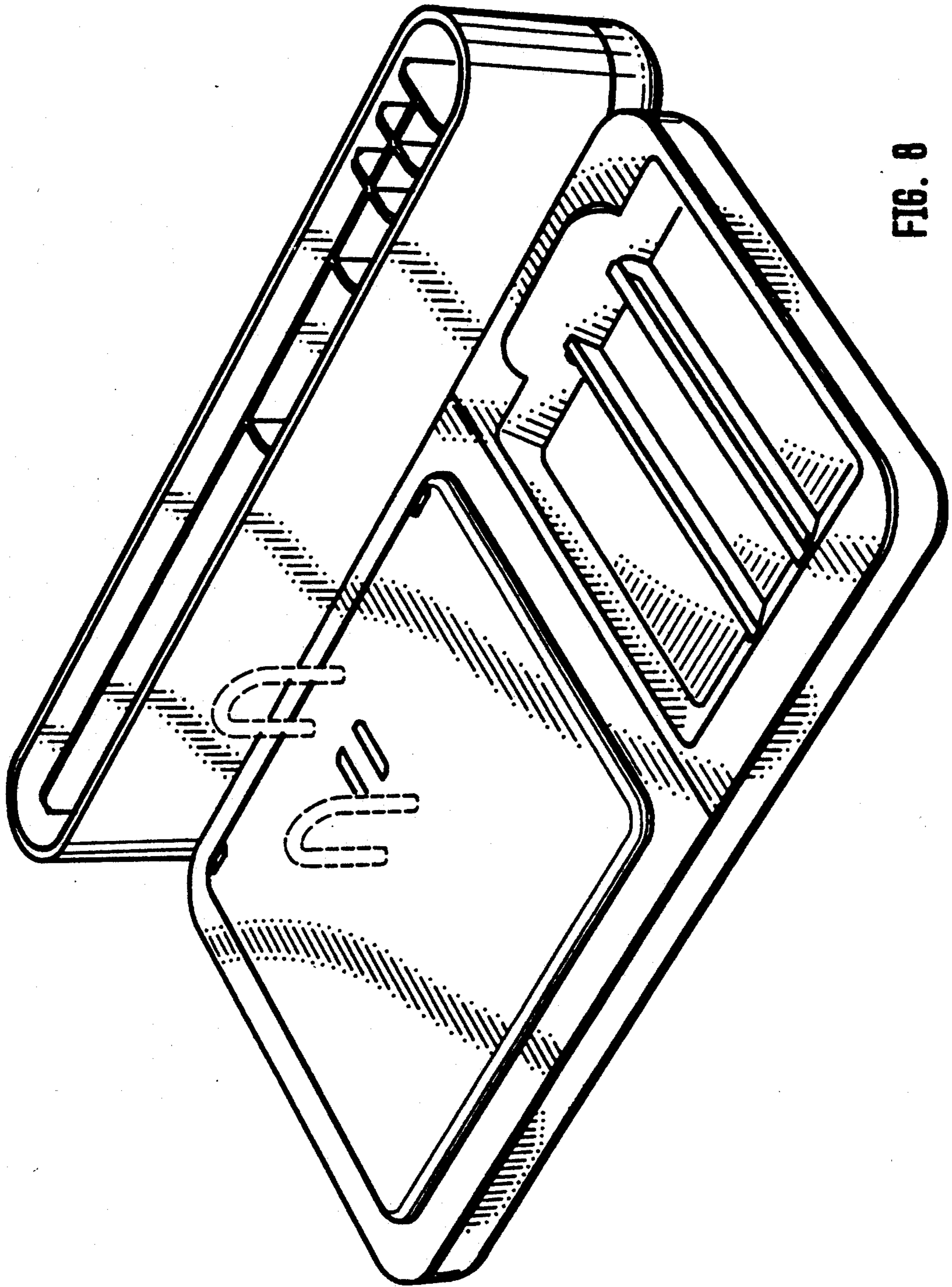


FIG. 8