



US00D339159S

United States Patent [19]

[11] Patent Number: **Des. 339,159**

Pruitt et al.

[45] Date of Patent: **** Sep. 7, 1993**

[54] COMBINED COMPUTER PRINTER AND SINGLE SHEET FEEDER

[75] Inventors: **Mark F. Pruitt, Sunnyvale; Douglas M. Patton, Irvine; Richard K. Jung, Laguna Niguel; Dennis L. Grudt, Long Beach, all of Calif.**

[73] Assignee: **Apple Computer, Inc., Cupertino, Calif.**

[**] Term: **14 Years**

[21] Appl. No.: **640,172**

[22] Filed: **Jan. 11, 1991**

[52] U.S. Cl. **D18/55; D18/49**

[58] Field of Search **D18/50, 54-55, D18/36-37, 48, 49; 400/691-694, 613; 190/15.1**

[56] References Cited

U.S. PATENT DOCUMENTS

D. 228,030	7/1973	Howard	D18/54
D. 279,985	8/1985	Thom	D18/54
D. 280,211	8/1985	Overman et al.	D18/55
D. 293,578	1/1988	Matsumoto et al.	D18/55
D. 318,684	7/1991	Irie et al.	D18/55
D. 321,713	11/1991	Matsuo et al.	D18/54
D. 322,624	12/1991	Sato et al.	D18/55
D. 323,183	1/1992	Irie et al.	D18/55
4,634,304	1/1987	Narushima et al.	400/691
4,828,416	5/1989	Pensavecchia et al.	400/691

FOREIGN PATENT DOCUMENTS

0187318 7/1986 European Pat. Off. 190/15.1

Primary Examiner—A. Hugo Word

Assistant Examiner—Cathy Anne MacCormac

[57] CLAIM

The ornamental design for a combined computer printer and single sheet feeder, as shown and described.

DESCRIPTION

FIG. 1 is a reduced top, front, right side perspective view of a combined computer printer and single sheet feeder, as shown in FIG. 8 with the sheet feeder removed;

FIG. 2 is a front elevational view thereof;

FIG. 3 is a rear elevational view thereof;

FIG. 4 is a right elevational view thereof;

FIG. 5 is a left elevational view thereof;

FIG. 6 is a top plan view thereof;

FIG. 7 is a bottom view thereof;

FIG. 8 is a reduced top, front, right side perspective view of a combined computer printer and single sheet feeder with a cut sheet feeder showing our new design;

FIG. 9 is a front elevational view thereof;

FIG. 10 is a rear elevational view thereof;

FIG. 11 is a right elevational view thereof;

FIG. 12 is a left elevational view thereof;

FIG. 13 is a top plan view thereof; and,

FIG. 14 is a bottom view thereof.

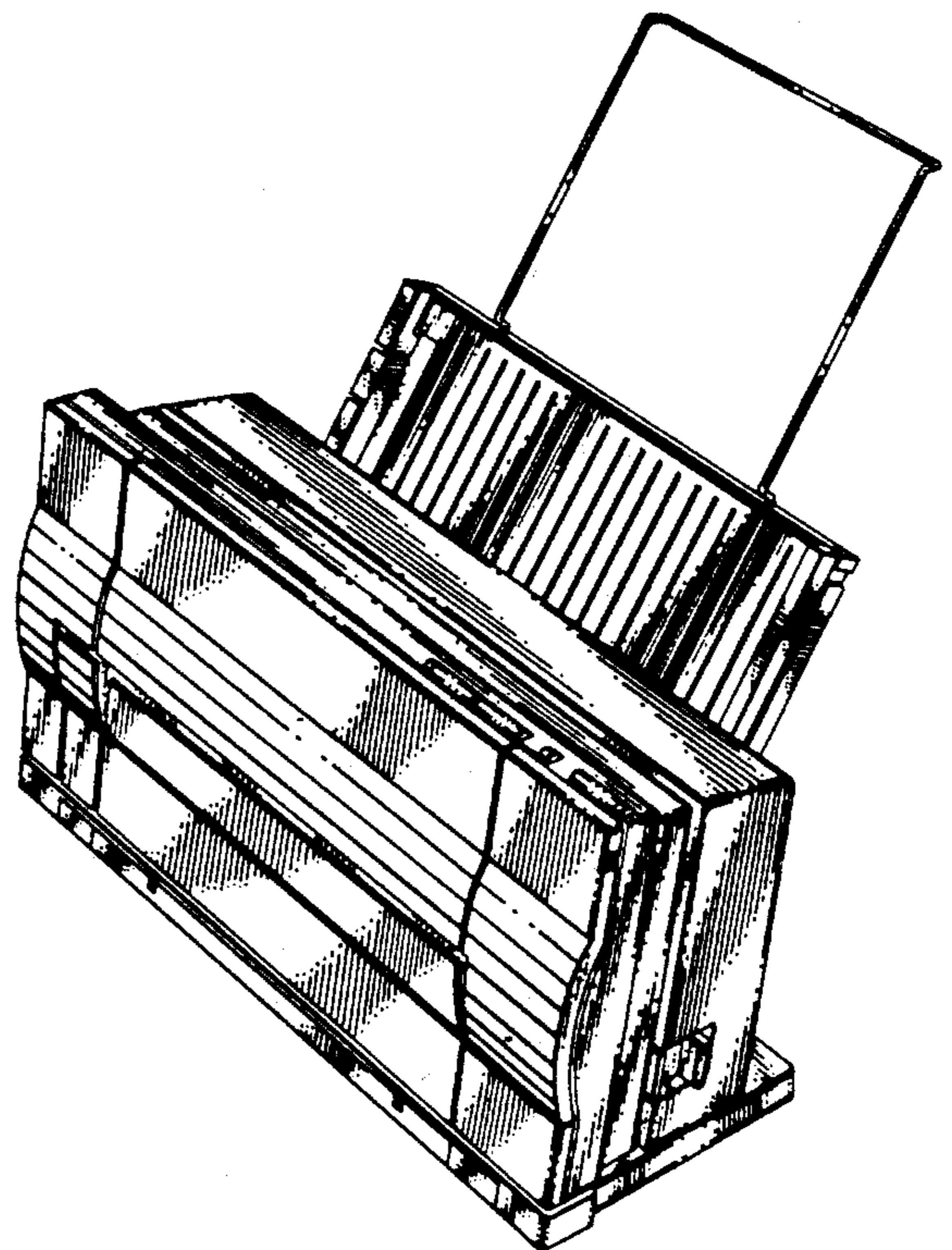
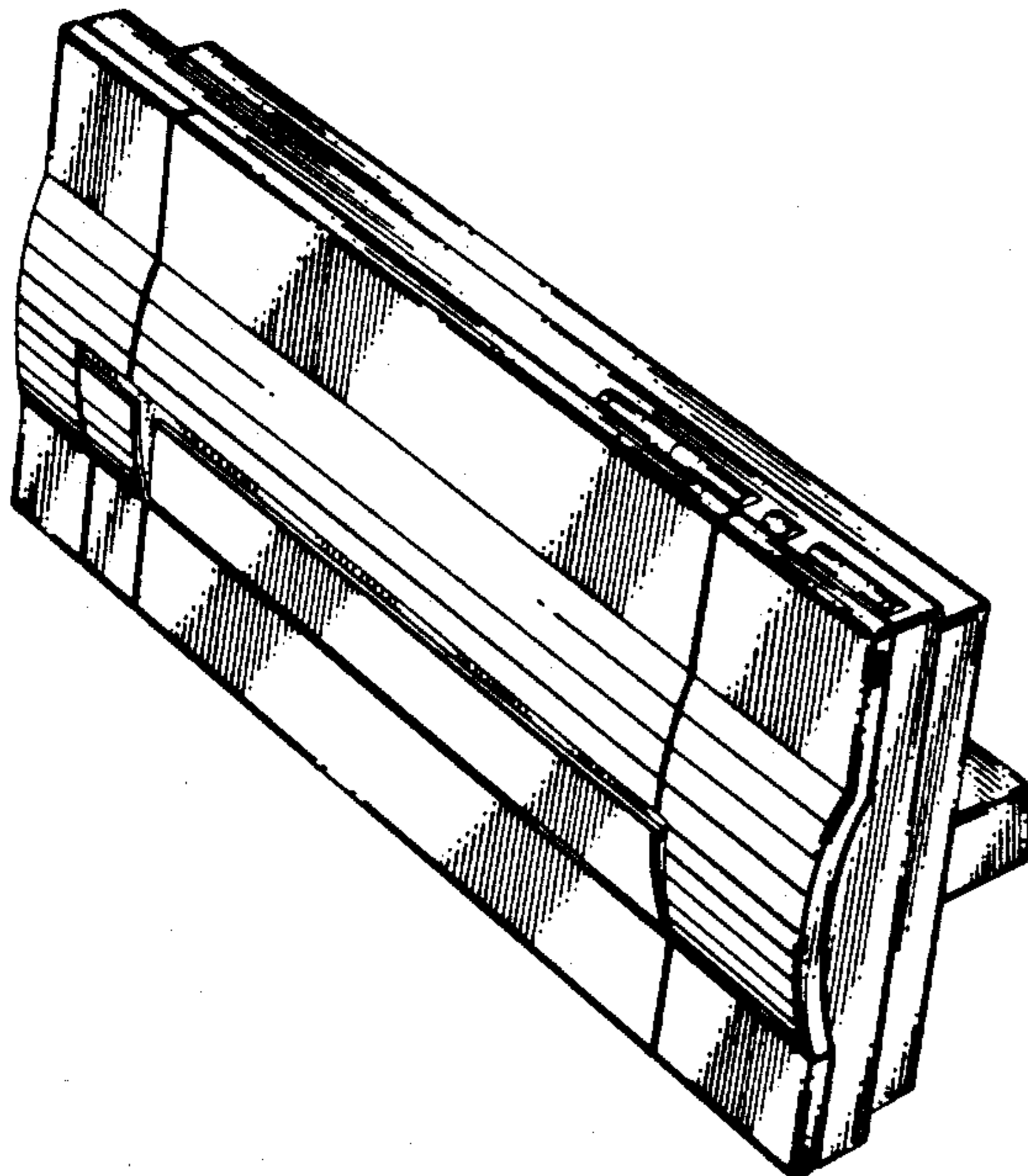


FIG 1

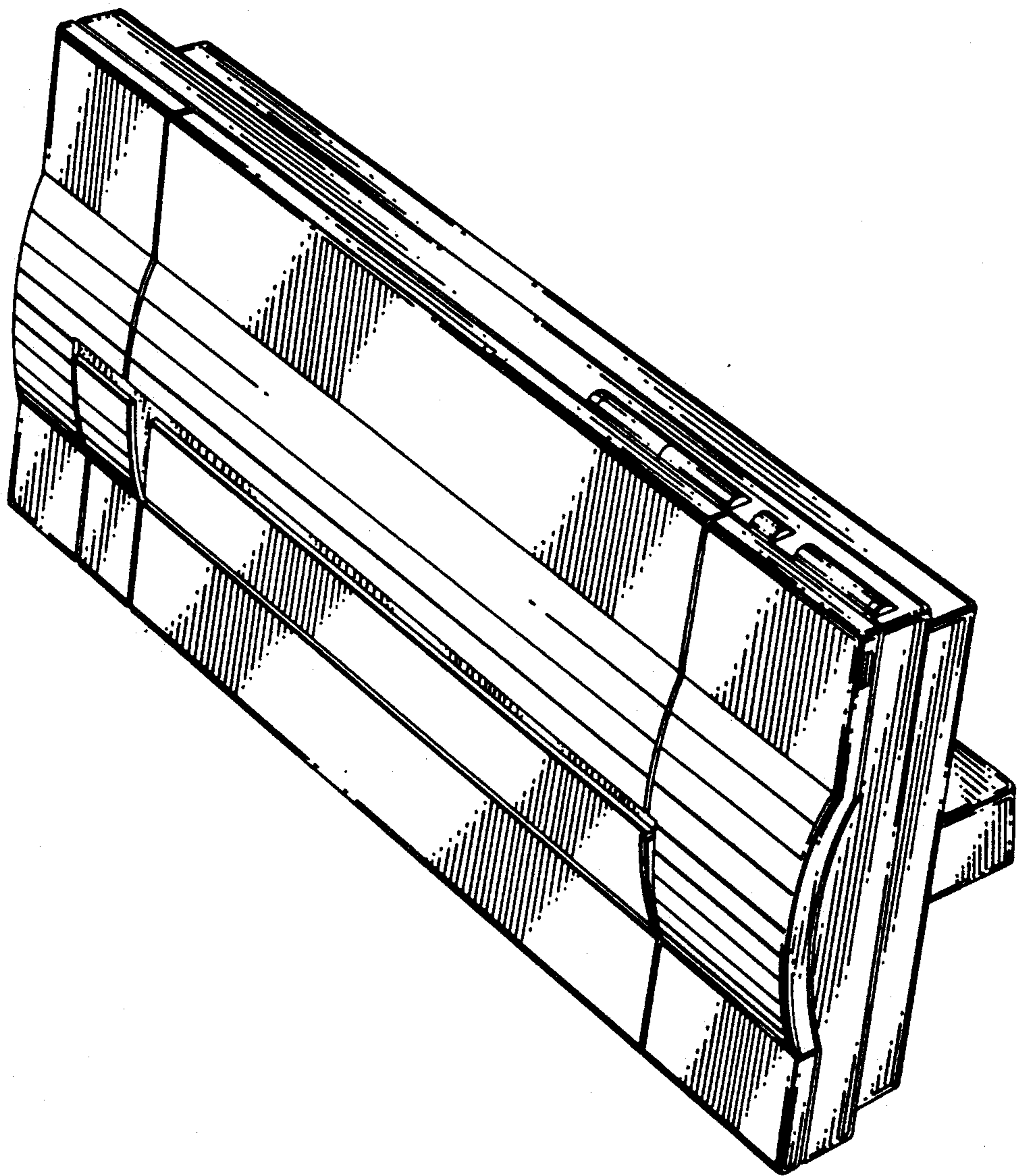


FIG 2

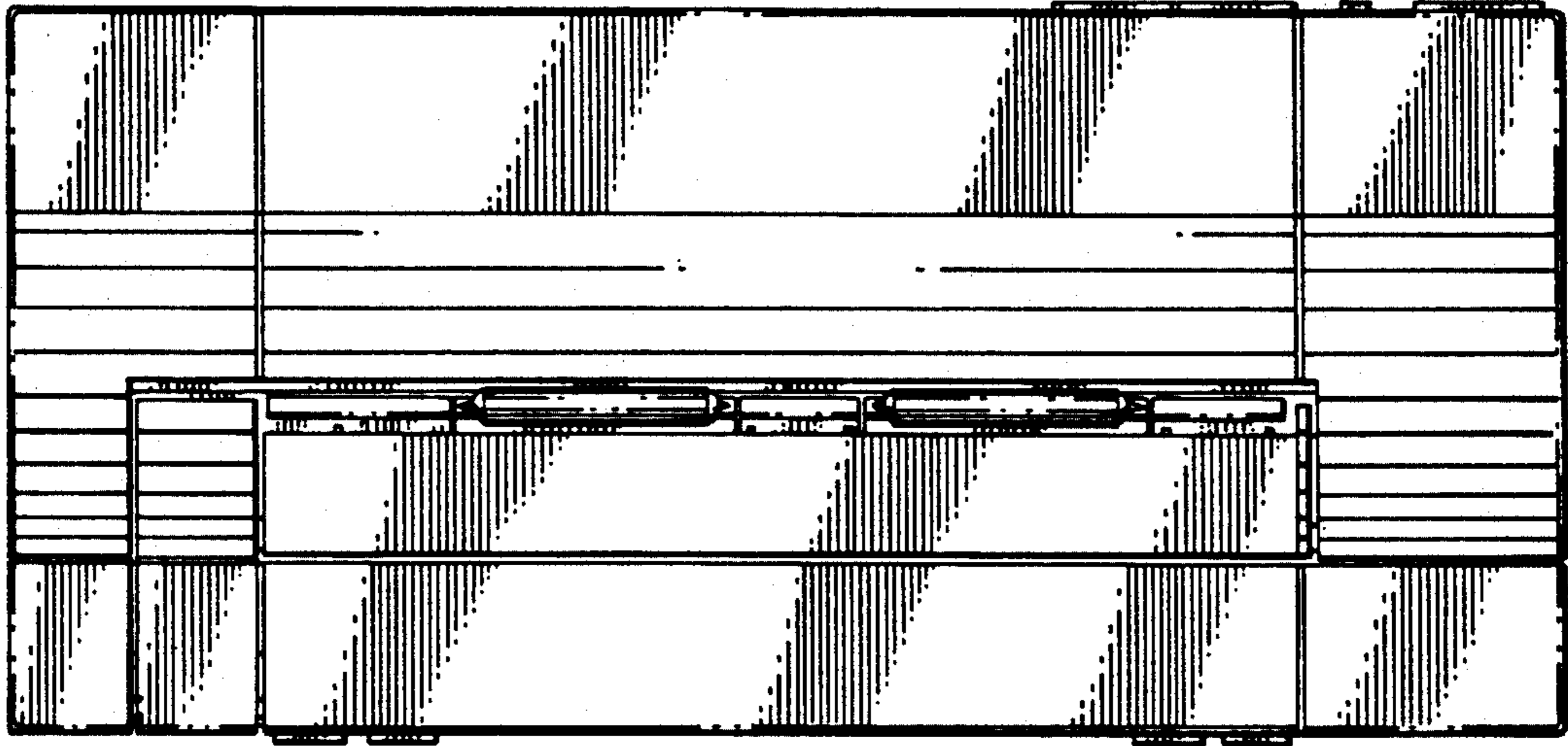


FIG 3

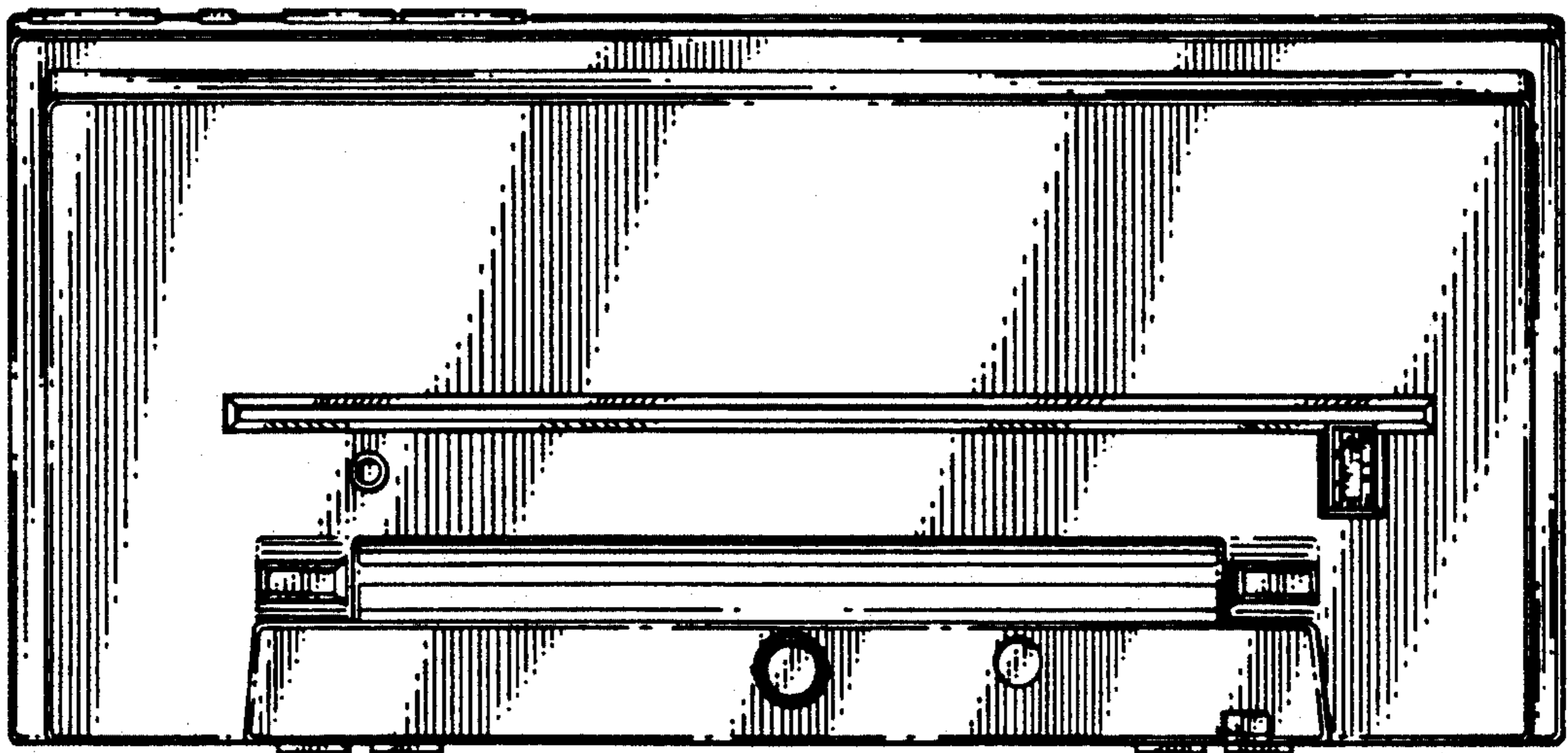


FIG 4

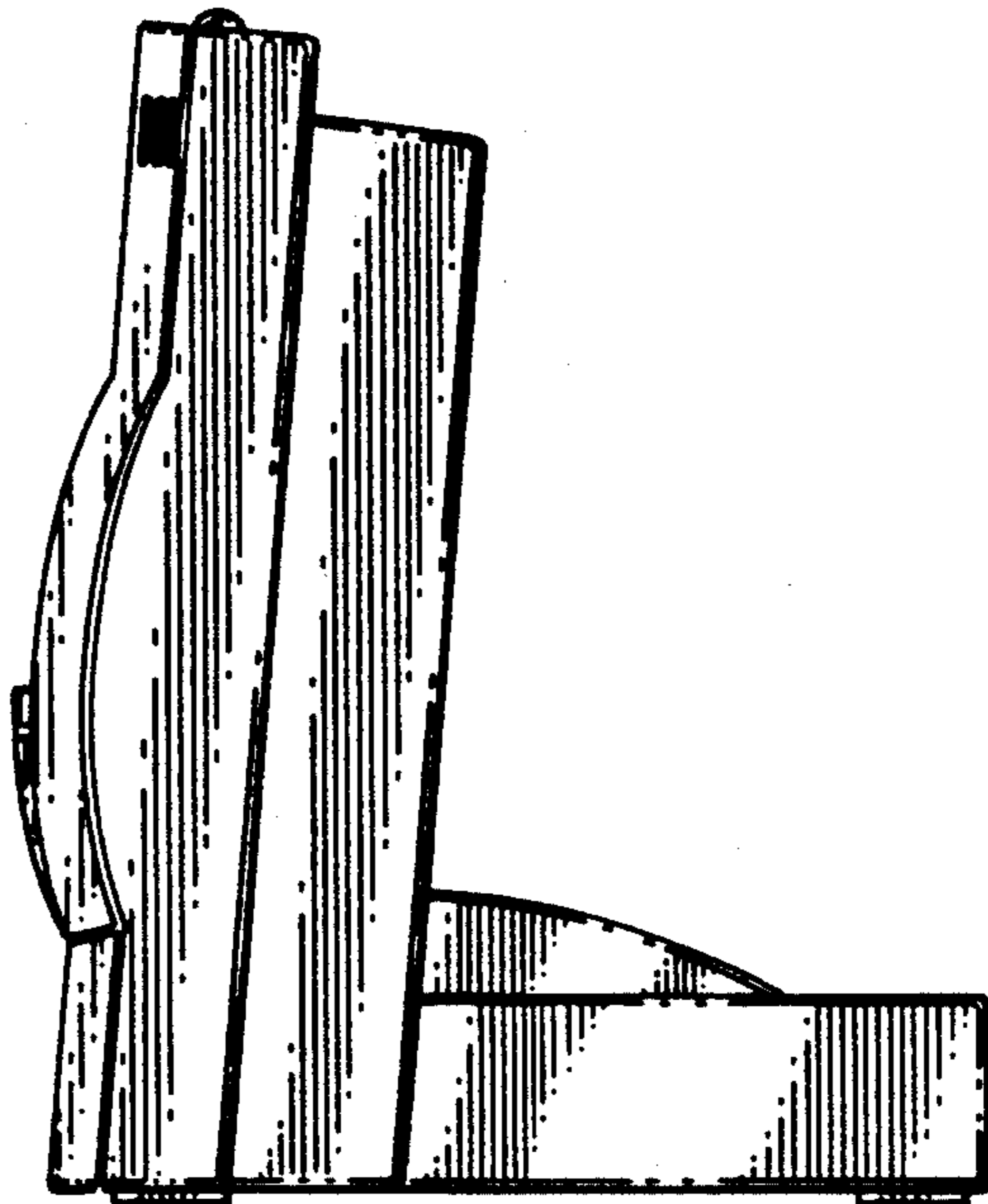


FIG 5

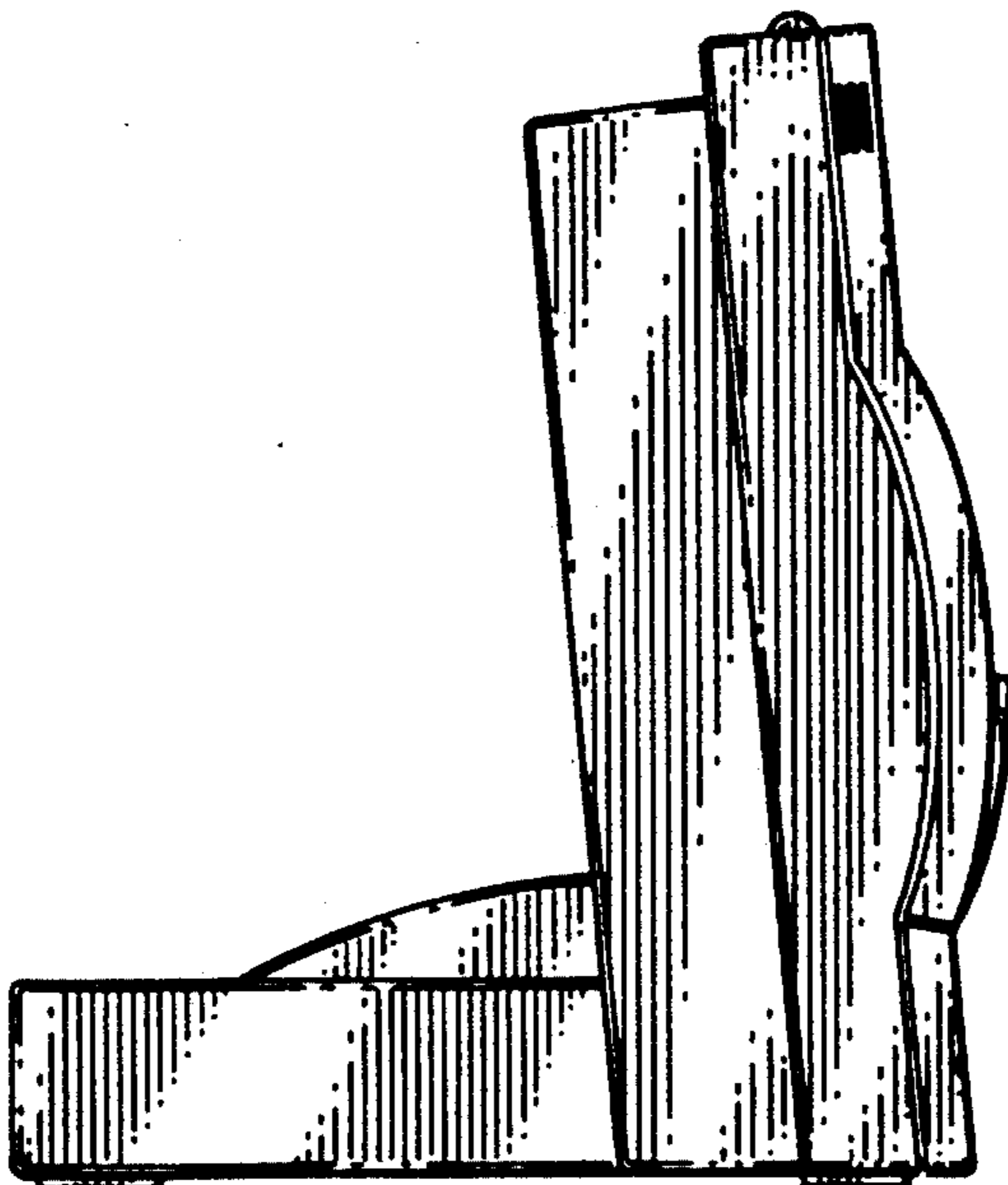


FIG 6

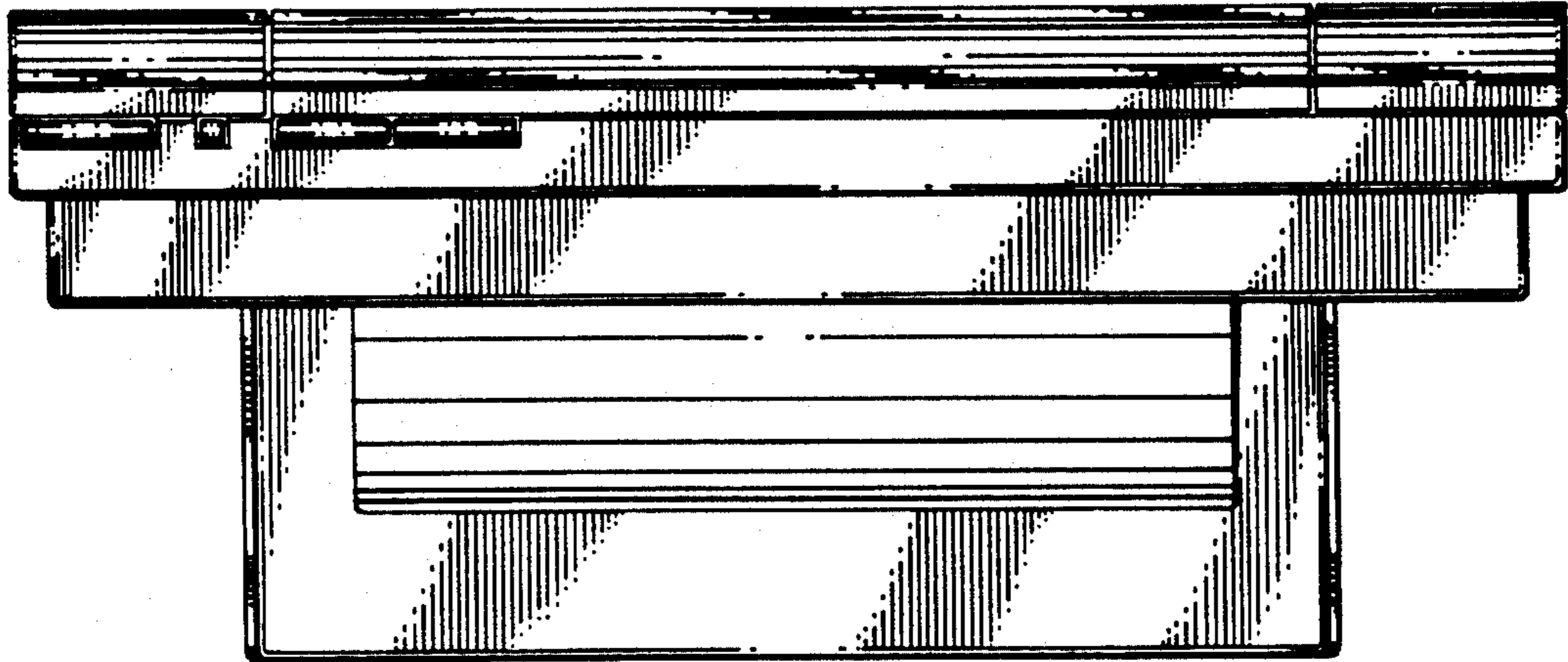


FIG 7

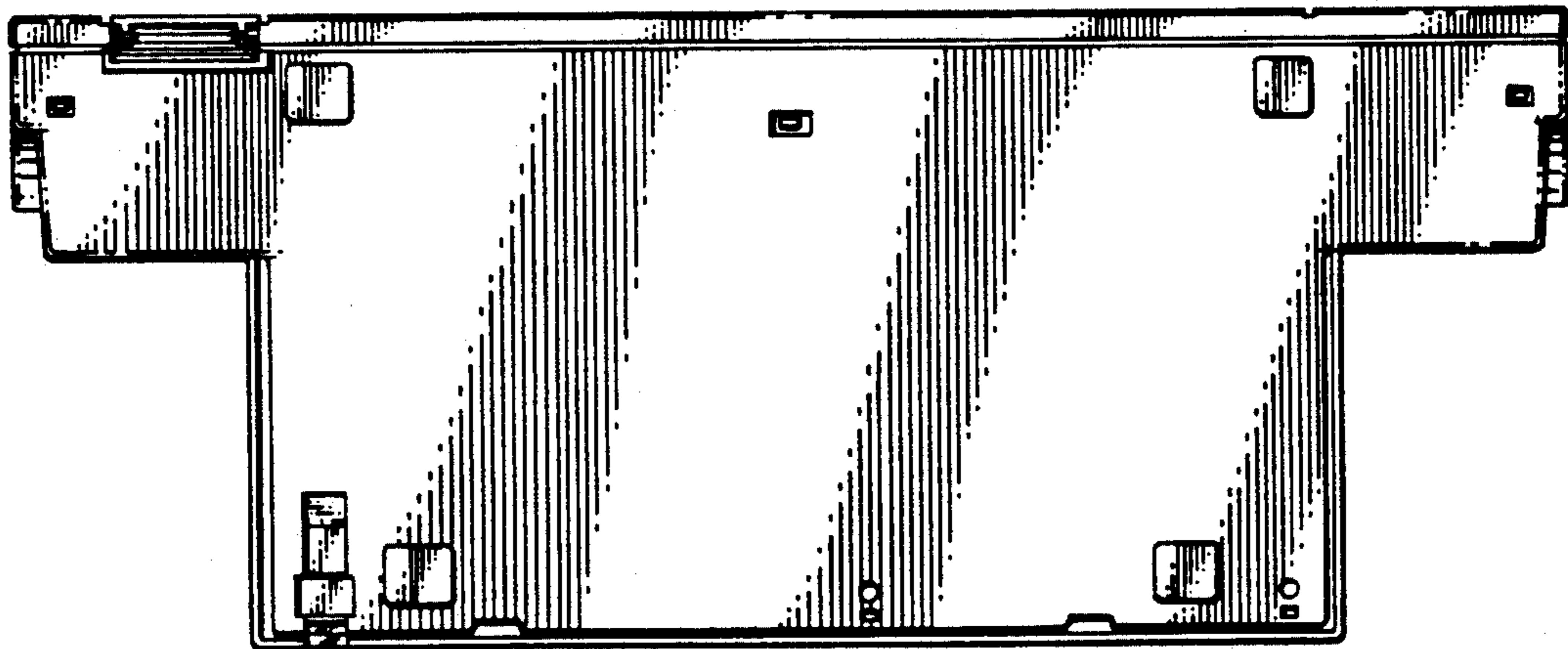


FIG 8

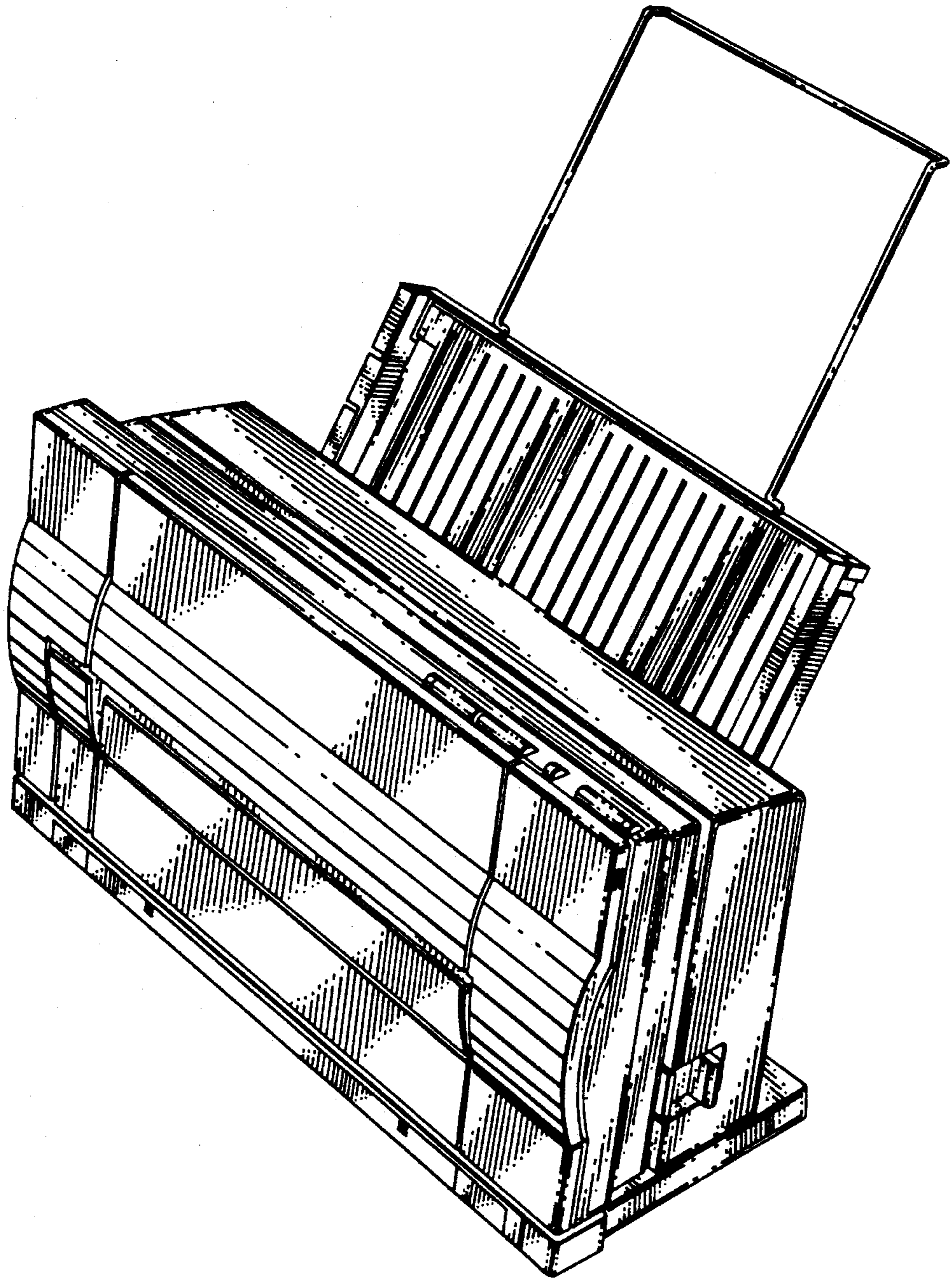


FIG 9

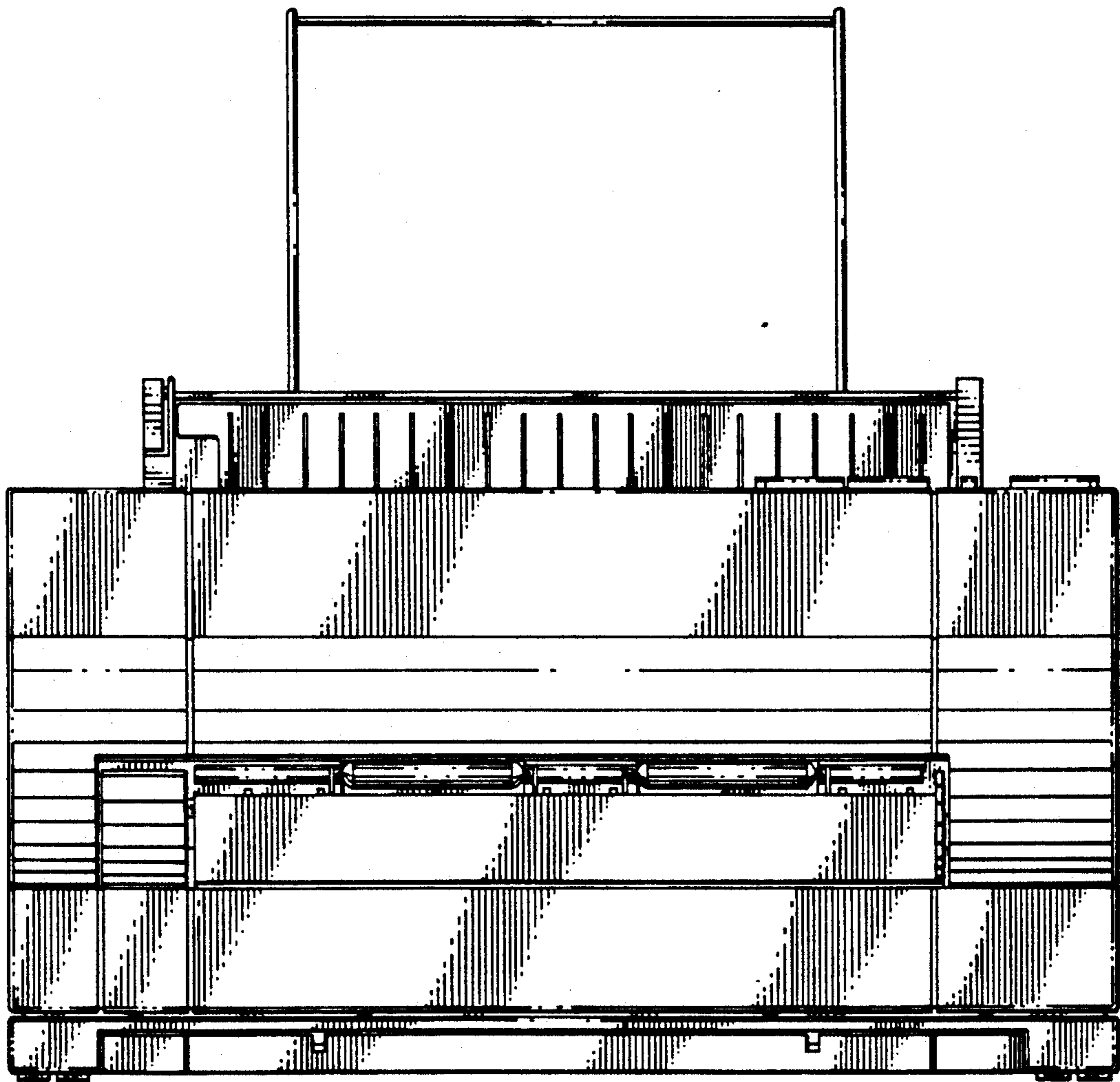


FIG 10

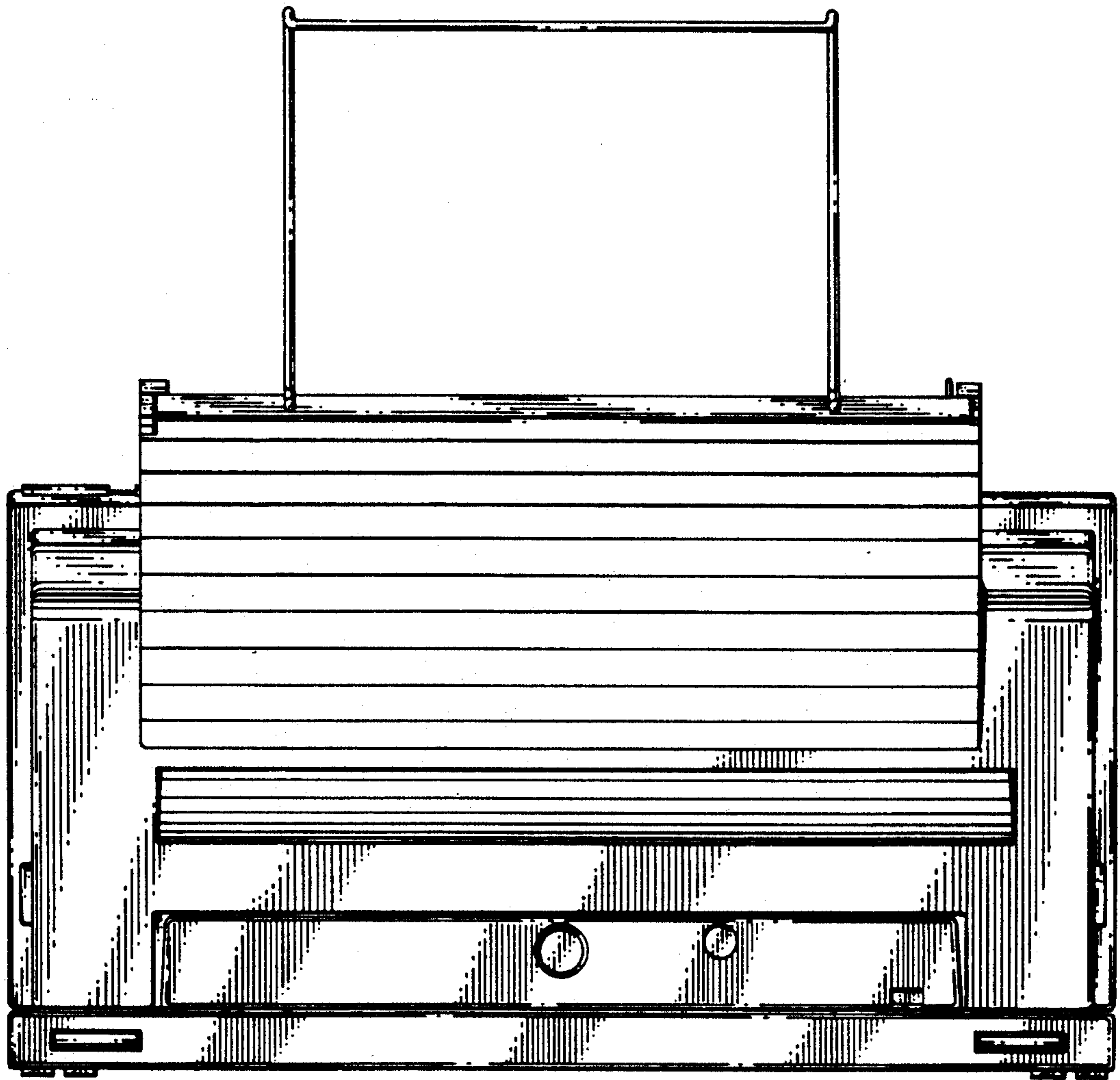


FIG 11

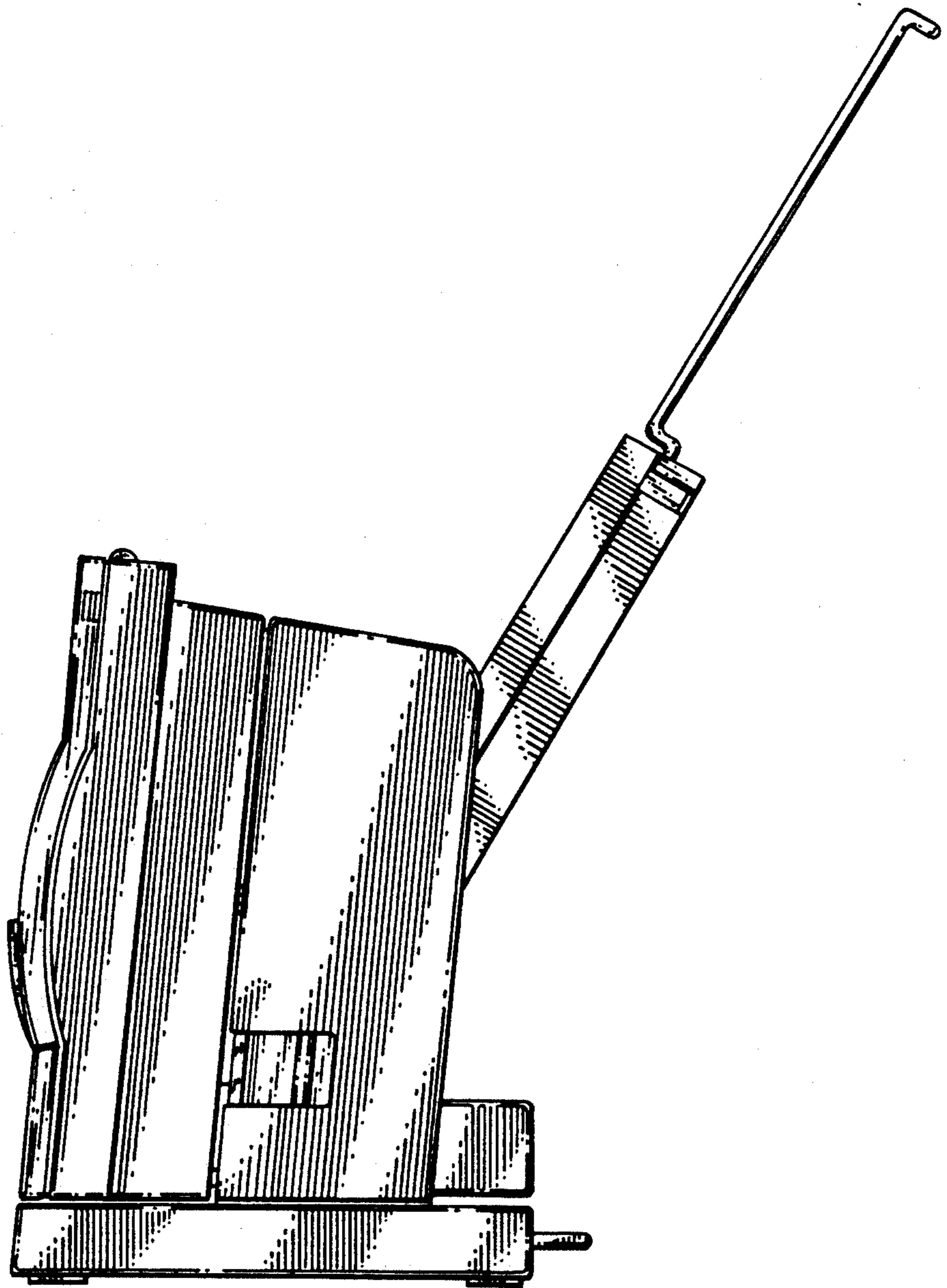


FIG 12

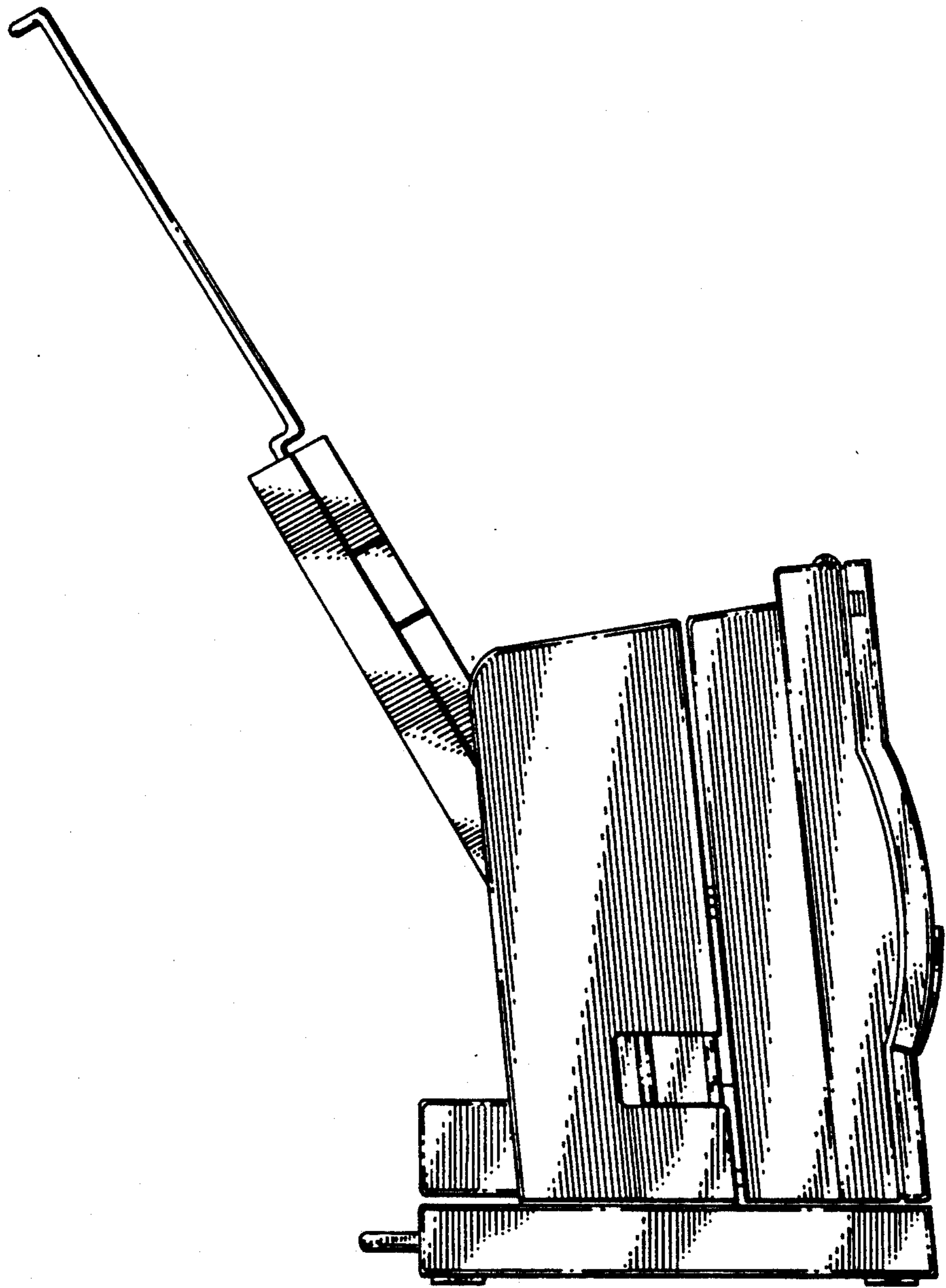


FIG 13

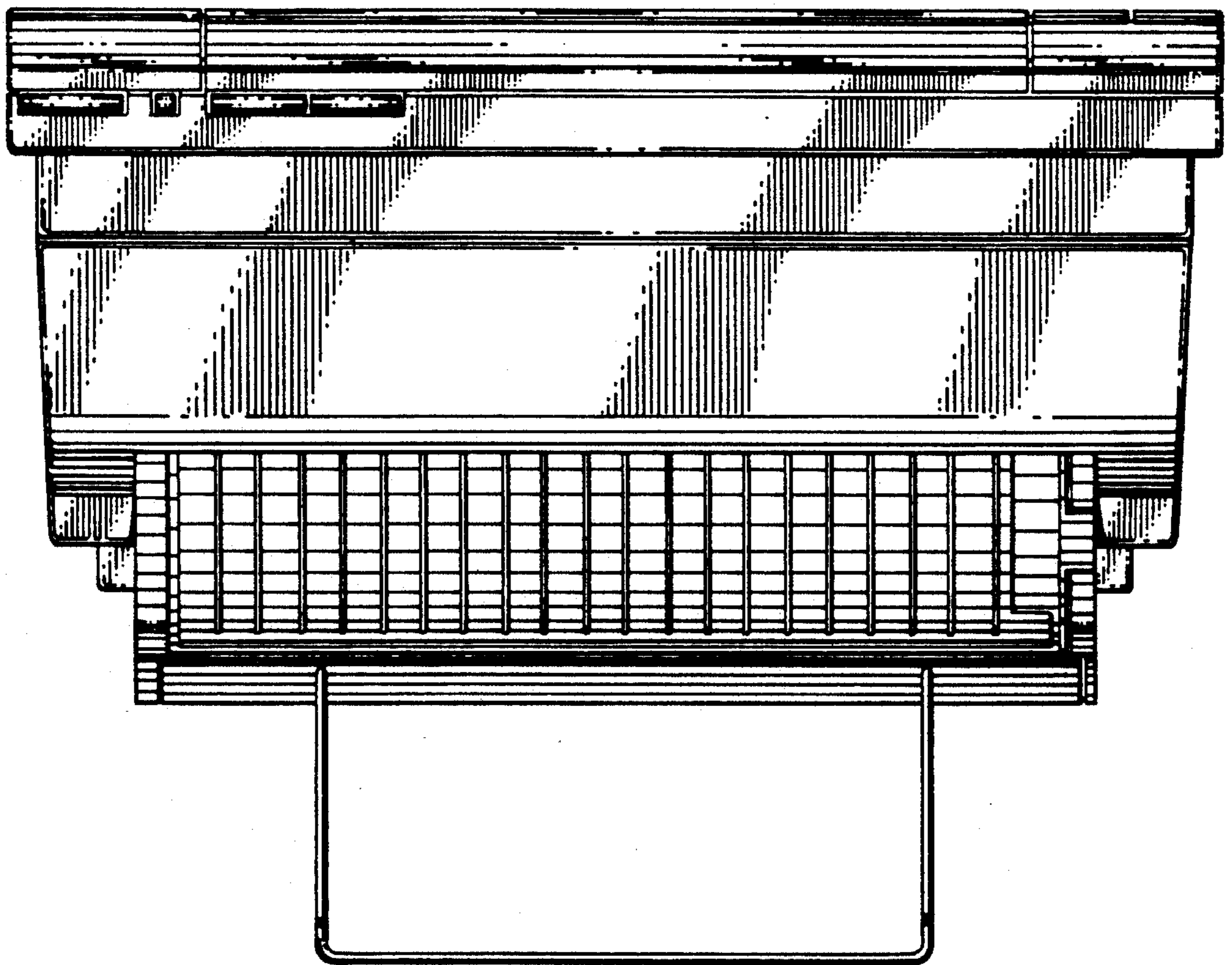


FIG 14

