



US00D339154S

United States Patent [19]

[11] Patent Number: **Des. 339,154**

Fukuda

[45] Date of Patent: **** Sep. 7, 1993**

[54] **PAPER CASSETTE FOR PRINTER**

D. 306,872	3/1990	Kapp et al.	D18/49
D. 319,257	8/1991	Katada	D18/44
D. 328,757	8/1992	Katada	D18/44

[75] Inventor: **Kouki Fukuda, Nara, Japan**

[73] Assignee: **Sharp Kabushiki Kaisha, Osaka, Japan**

*Primary Examiner—Alan P. Douglas
Assistant Examiner—Ann Hunt
Attorney, Agent, or Firm—Nixon & Vanderhye*

[**] Term: **14 Years**

[57] **CLAIM**

[21] Appl. No.: **718,834**

The ornamental design for a paper cassette for printer, as shown and described.

[22] Filed: **Jun. 21, 1991**

DESCRIPTION

[30] **Foreign Application Priority Data**

Dec. 25, 1990 [JP] Japan 2-43109

[52] U.S. Cl. **D18/44**

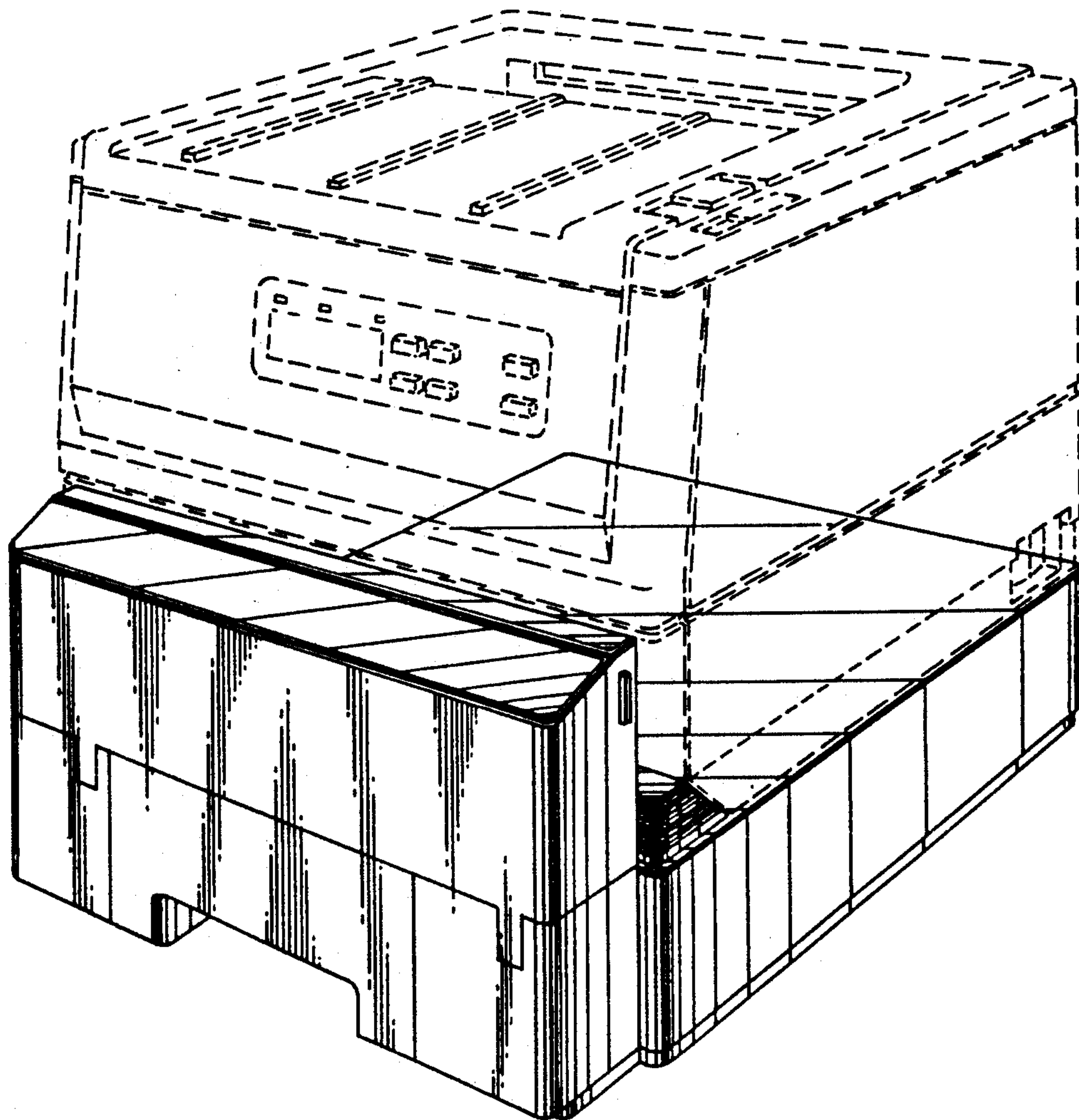
[58] Field of Search **D18/36-44,
D18/46-49; 271/8.1, 9, 117, 3, 3.1, 145, 278;
355/309; 400/624-629, 642, 647, 647.1**

FIG. 1 is a top, front and right side perspective view of a paper cassette for printer showing my new design, the printer shown in broken lines is for illustrative purposes only and forms no part of the claimed design; FIG. 2 is a front elevational view thereof; FIG. 3 is a top plan view thereof; FIG. 4 is a bottom plan view thereof; FIG. 5 is a rear elevational view thereof; and, FIGS. 6 and 7 are left and right side elevational views thereof, respectively.

[56] **References Cited**

U.S. PATENT DOCUMENTS

D. 295,757 5/1988 Okuyama et al. D18/49



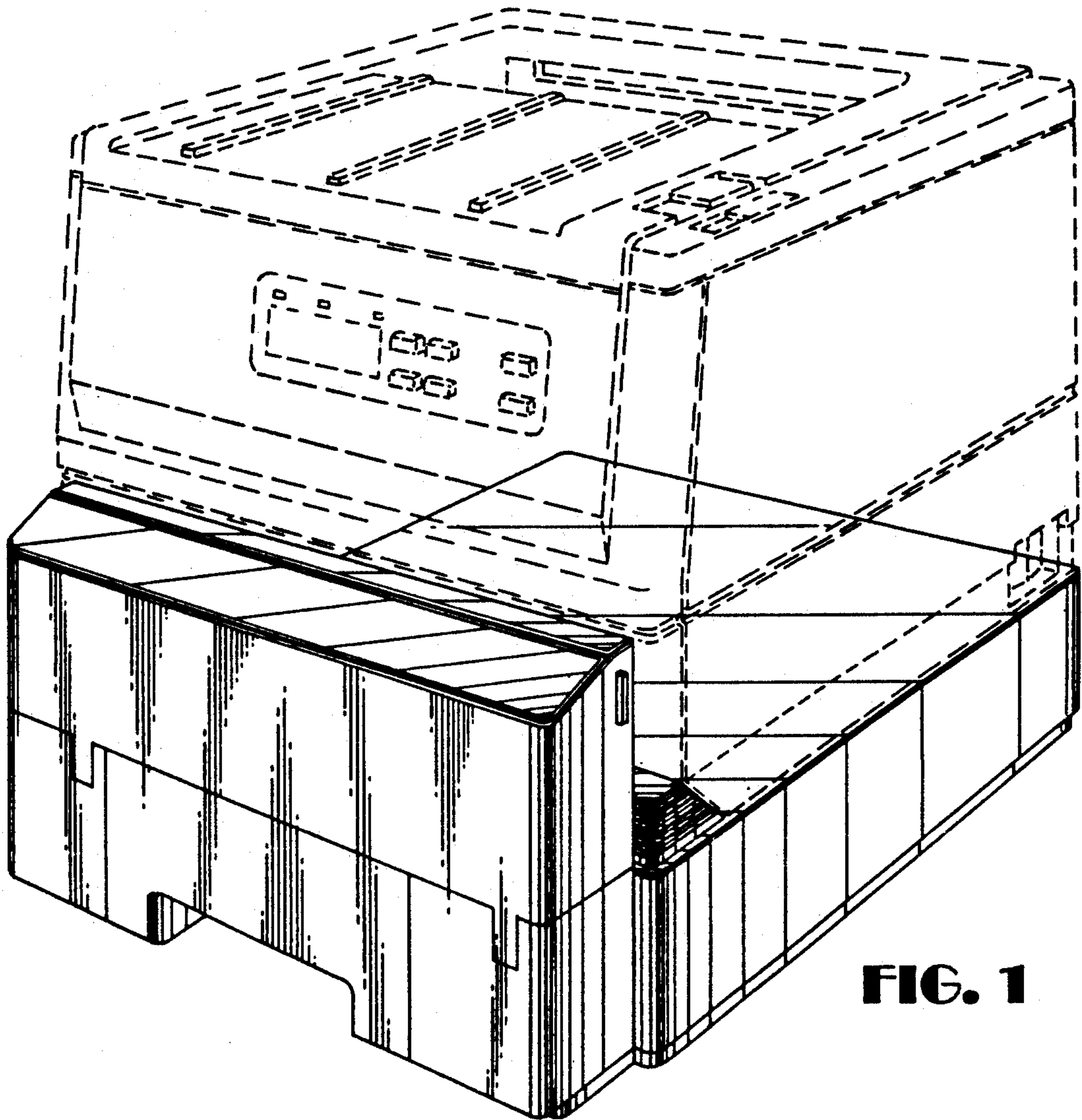


FIG. 1

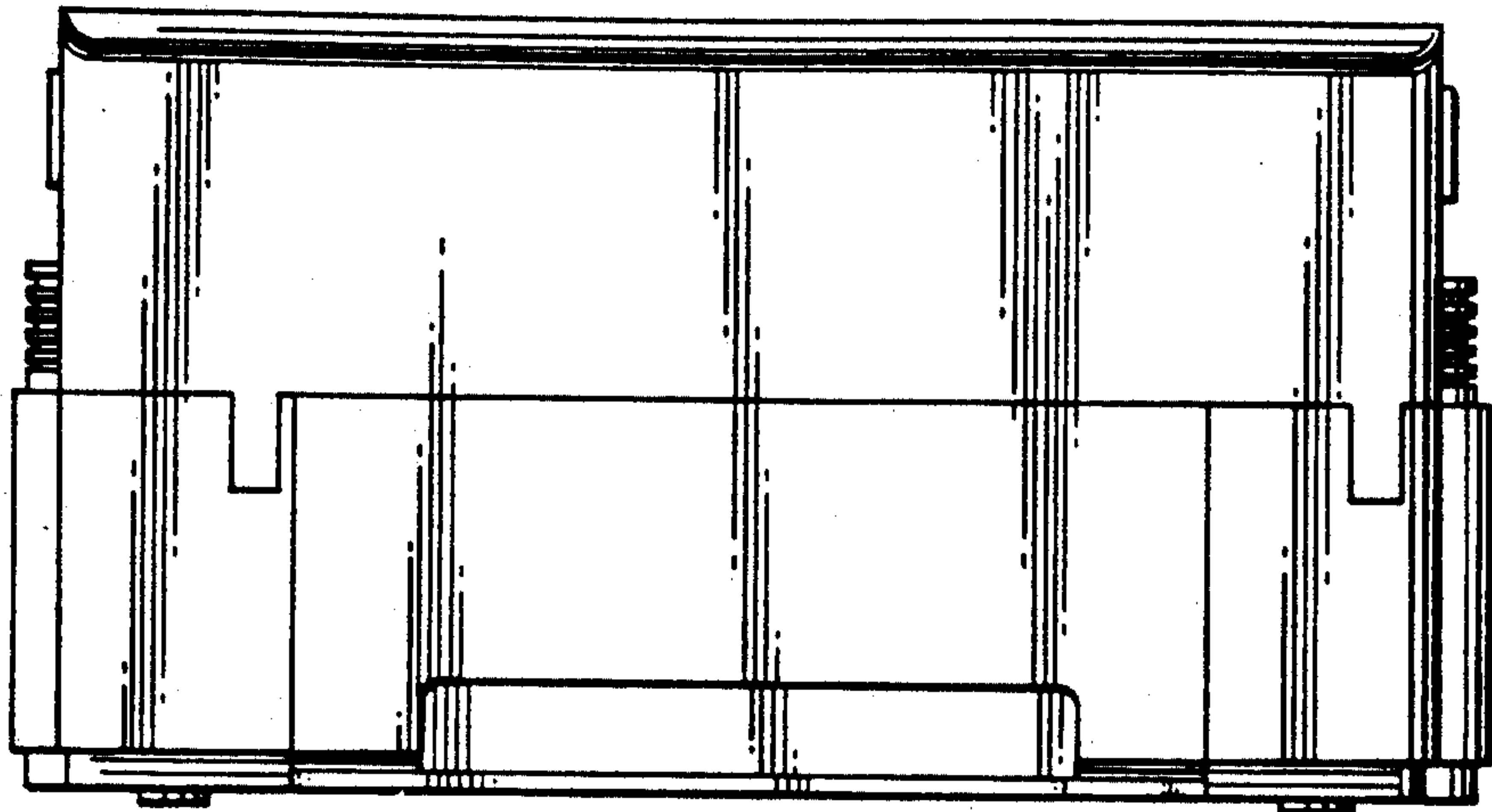


FIG. 2

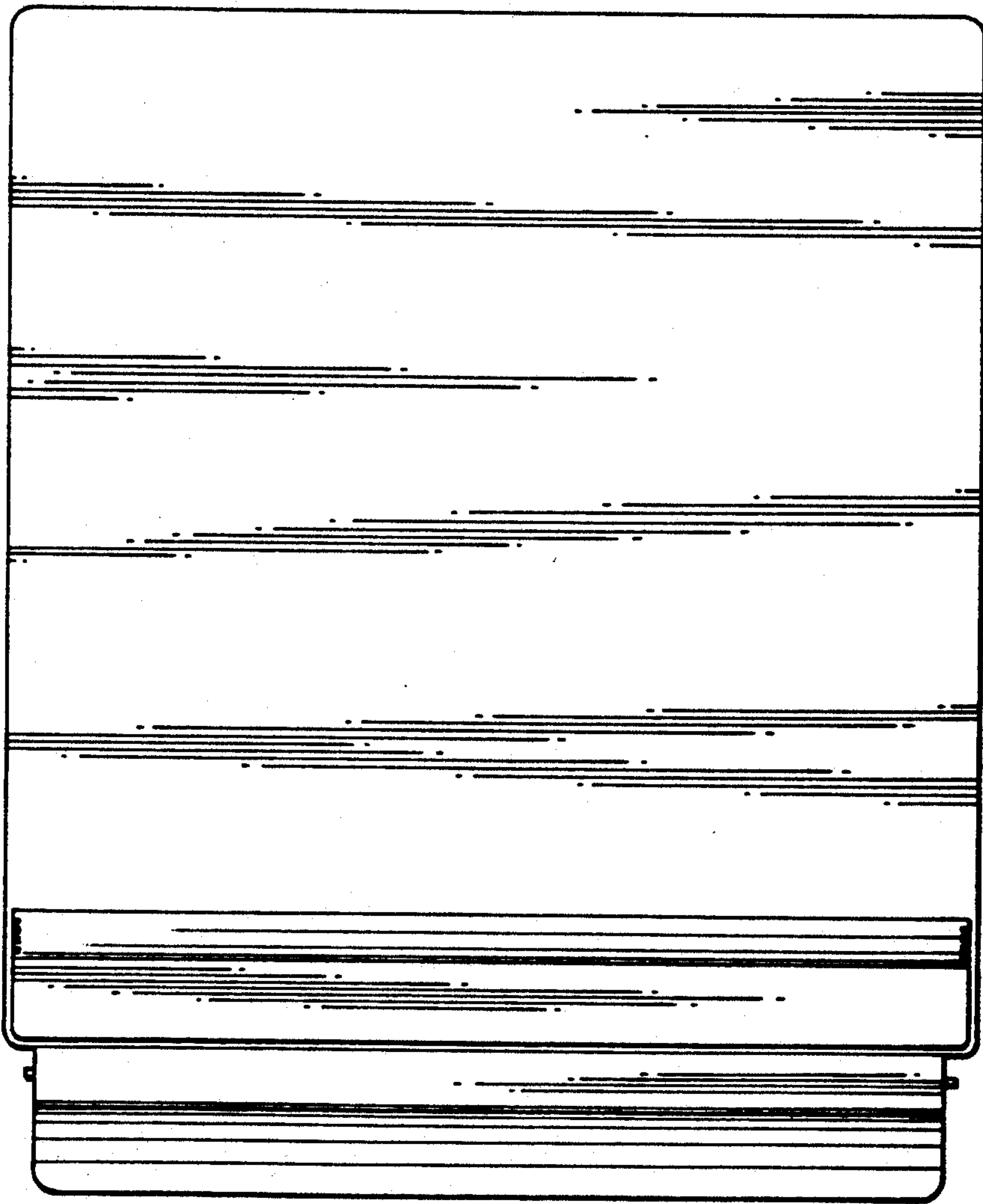


FIG. 3

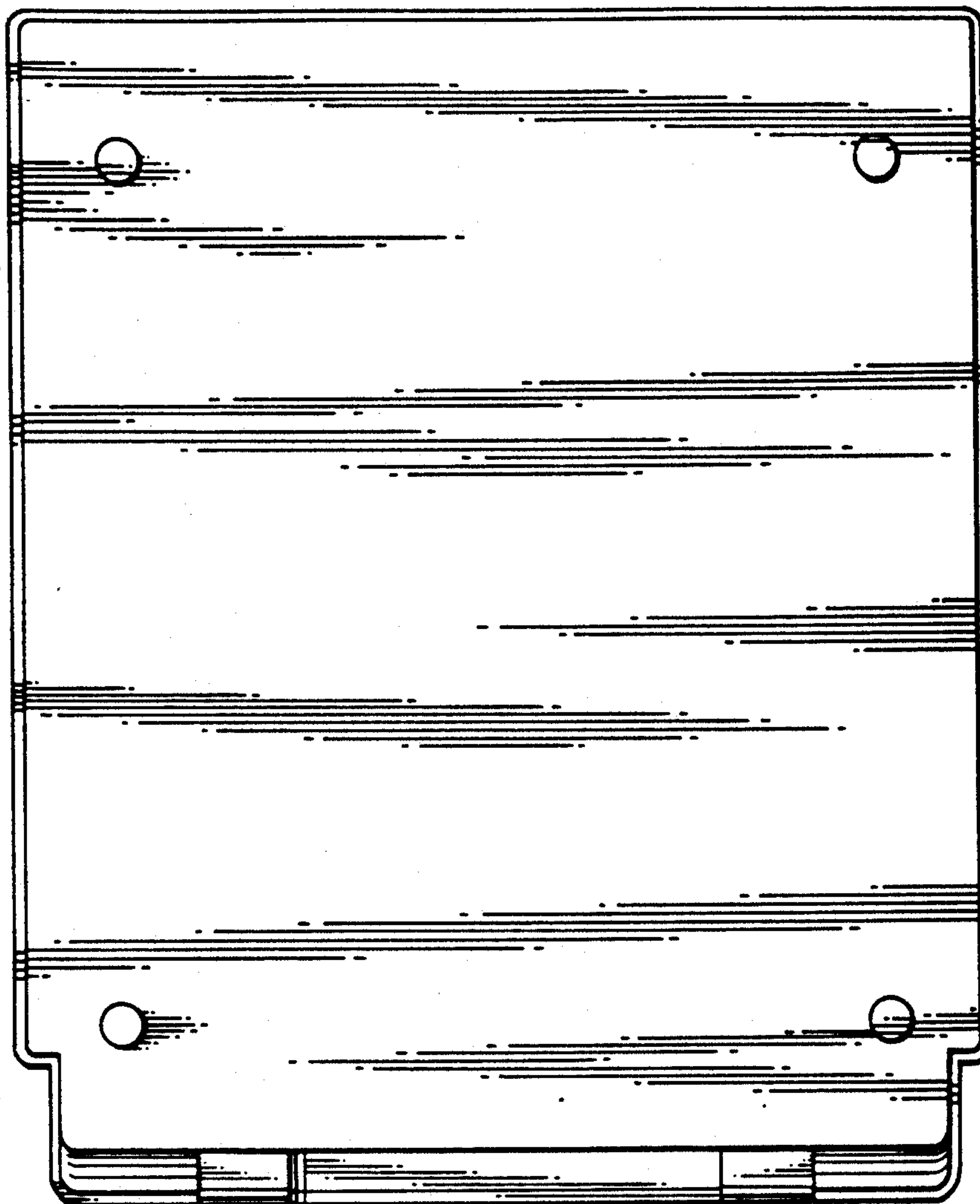


FIG. 4

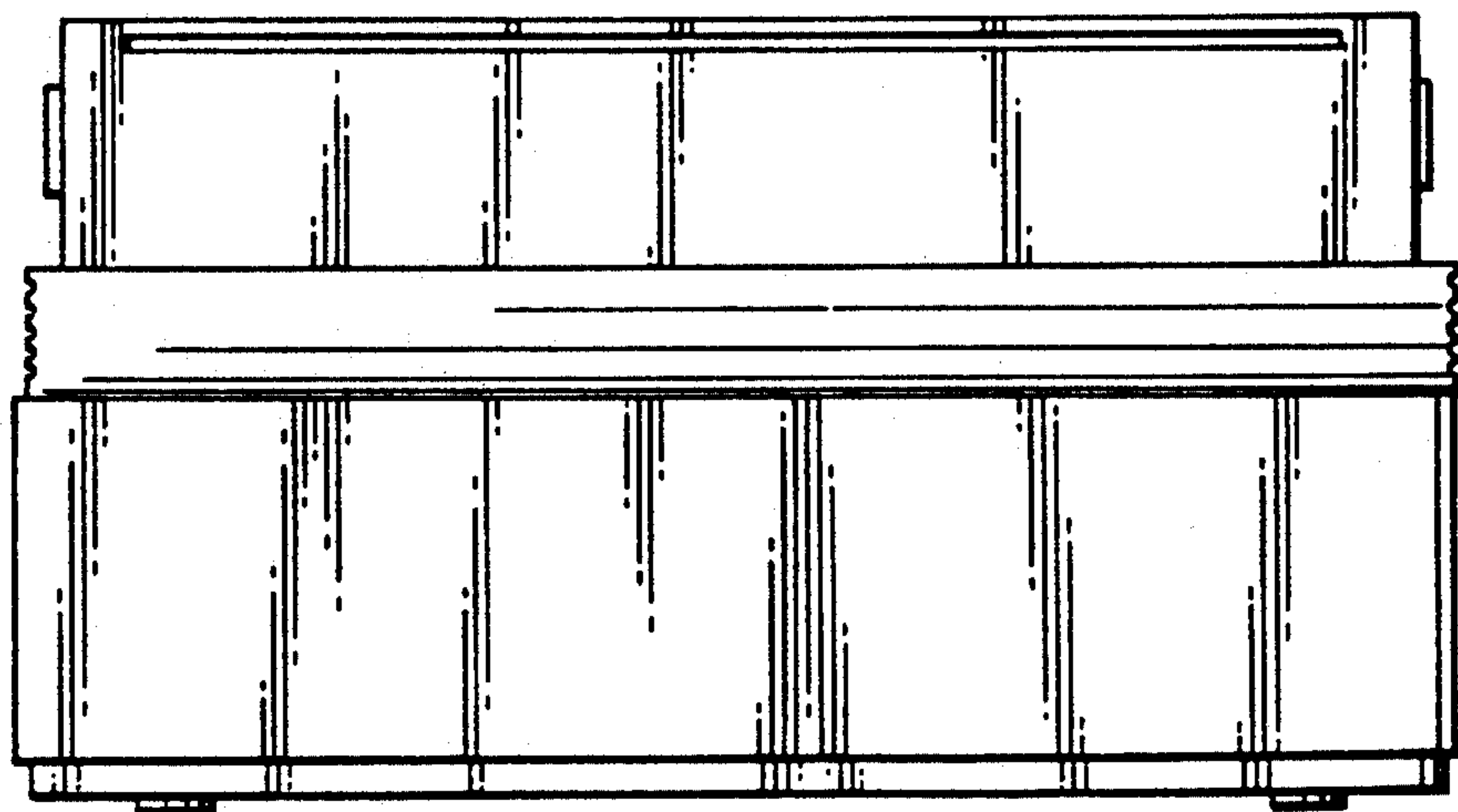


FIG. 5

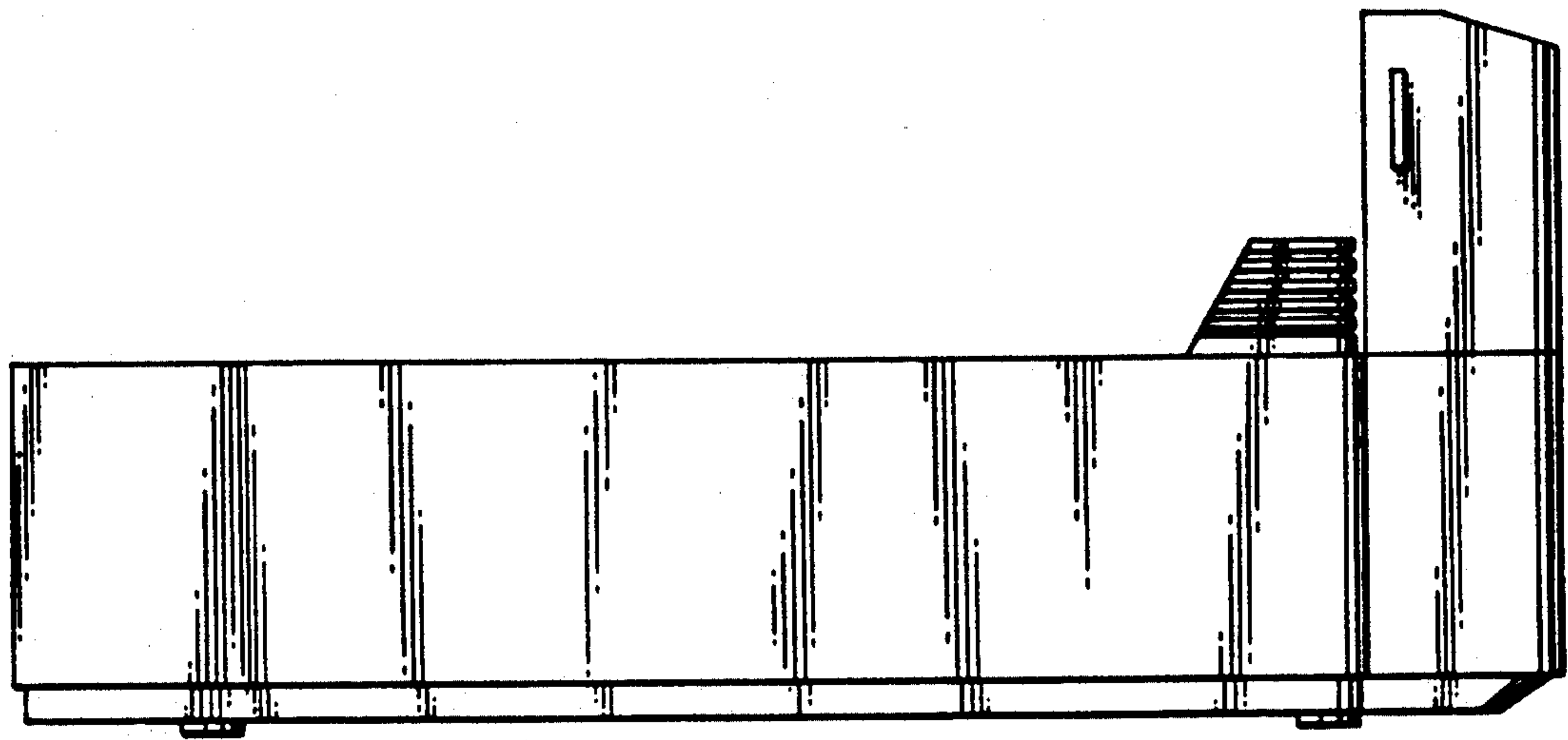


FIG. 6

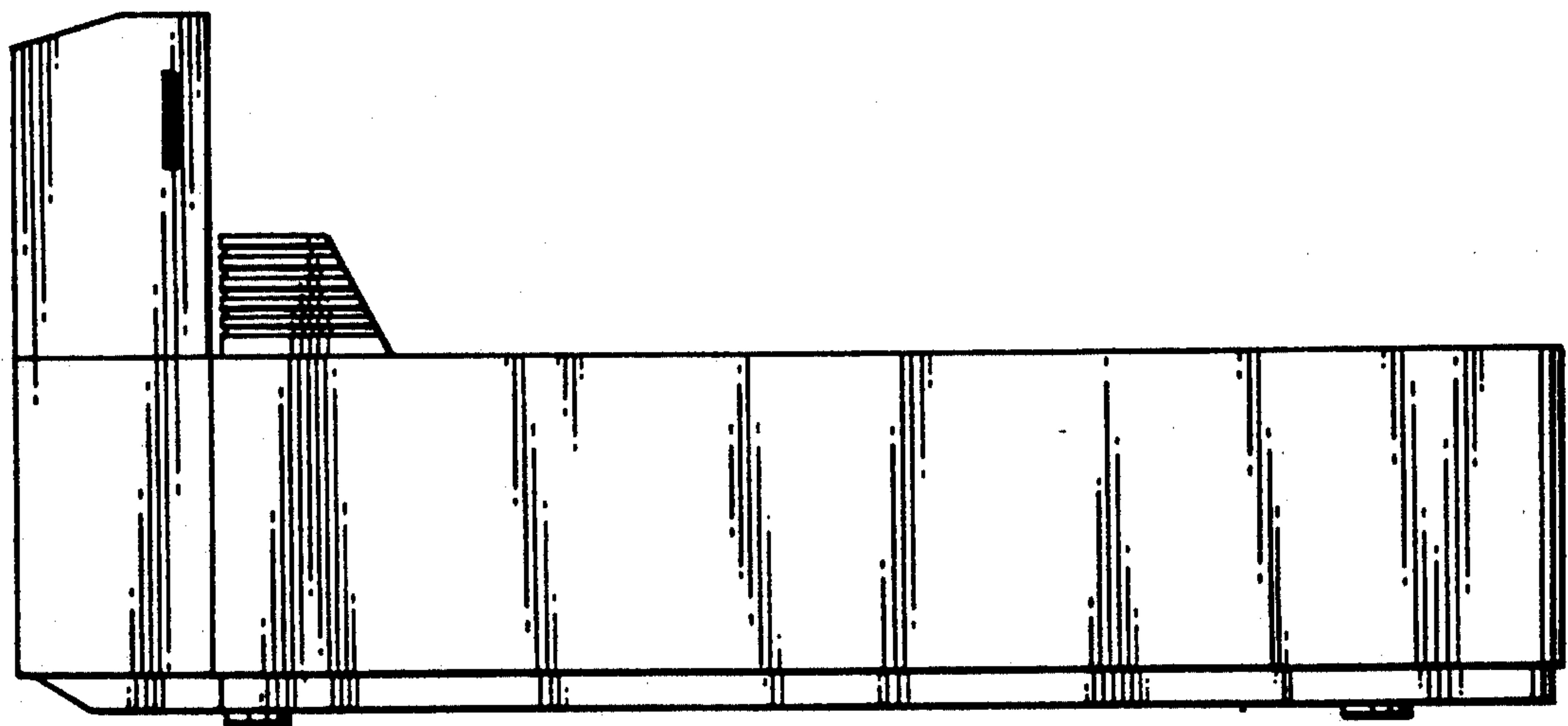


FIG. 7