



US00D339153S

United States Patent [19]

[11] Patent Number: **Des. 339,153**

Troy et al.

[45] Date of Patent: **** Sep. 7, 1993**

[54] **PAPER RETAINER FOR A PRINTER STAND**

D. 329,058 9/1992 Sebald D18/59
4,938,447 7/1990 Schriener .

[75] Inventors: **Gary J. Troy, Nottingham; Edward L. Hames, Peterborough, both of N.H.**

Primary Examiner—Alan P. Douglas
Assistant Examiner—Ann Hunt
Attorney, Agent, or Firm—Richard P. Crowley

[73] Assignee: **Curtis Manufacturing Company, Inc., Jaffrey, N.H.**

[57] **CLAIM**

[**] Term: **14 Years**

The ornamental design for paper retainer for a printer stand, as shown.

[21] Appl. No.: **852,101**

DESCRIPTION

[22] Filed: **Mar. 16, 1992**

[52] U.S. Cl. **D18/44; D18/59; D19/91**

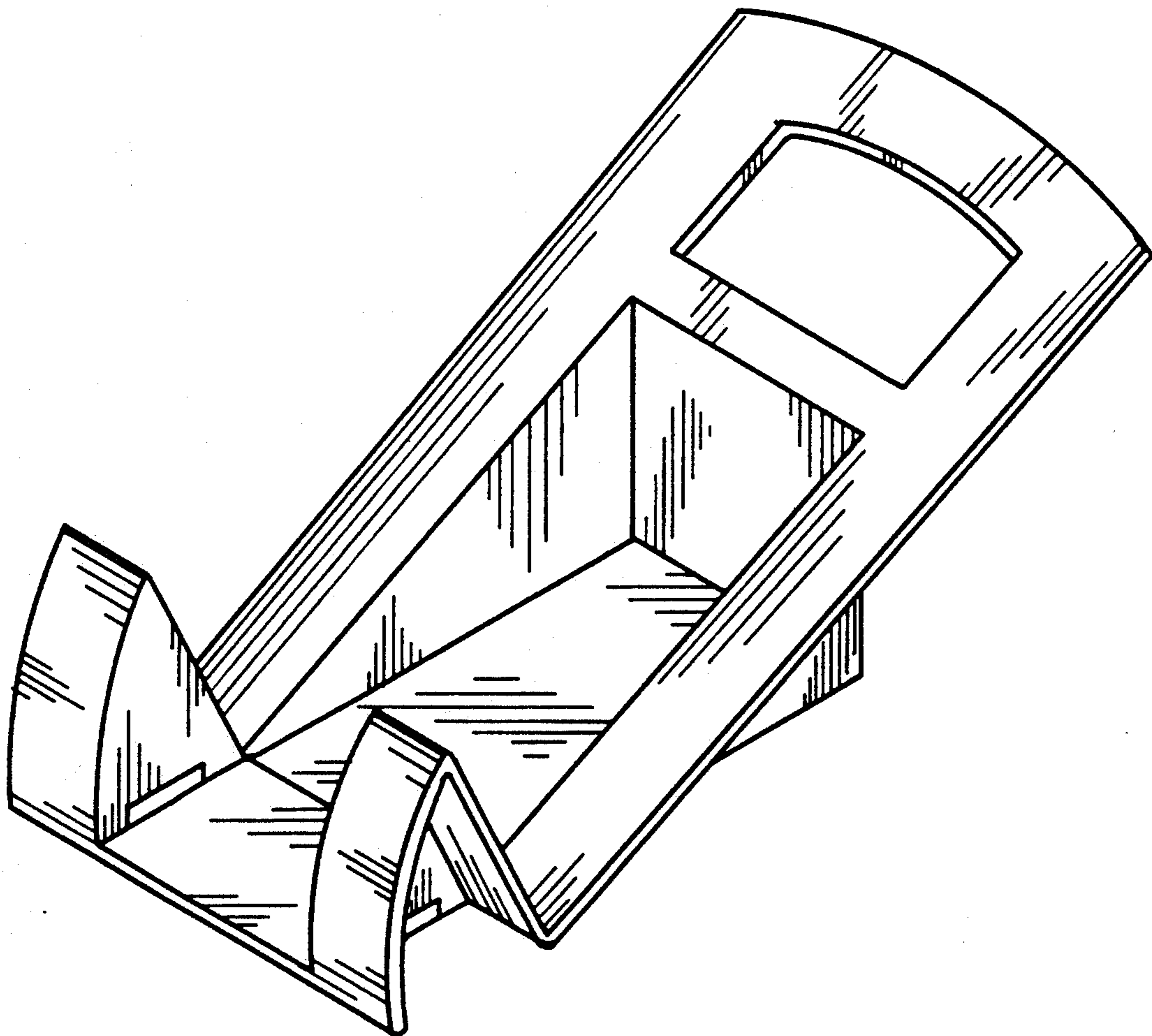
[58] Field of Search **D18/40, 44, 45, 46, D18/49, 59; D19/92; 248/441.1, 447.2; 271/3, 3.1, 8.1, 9, 10, 18, 171, 226, 278**

FIG. 1 is a perspective view from above of the paper retainer for a printer stand of our invention;
FIG. 2 is a side elevational view of the paper retainer of FIG. 1, the other side being the same;
FIG. 3 is a front elevational view of the paper retainer of FIG. 1;
FIG. 4 is a rear elevational view of the paper retainer of FIG. 1;
FIG. 5 is a top plan view of the paper retainer of FIG. 1; and,
FIG. 6 is a bottom plan view of the paper retainer of FIG. 1.

[56] **References Cited**

U.S. PATENT DOCUMENTS

- D. 269,528 6/1983 Sokolowski D18/44
- D. 300,147 3/1989 Meyer et al. D18/49
- D. 328,314 7/1992 MacEwan D19/91



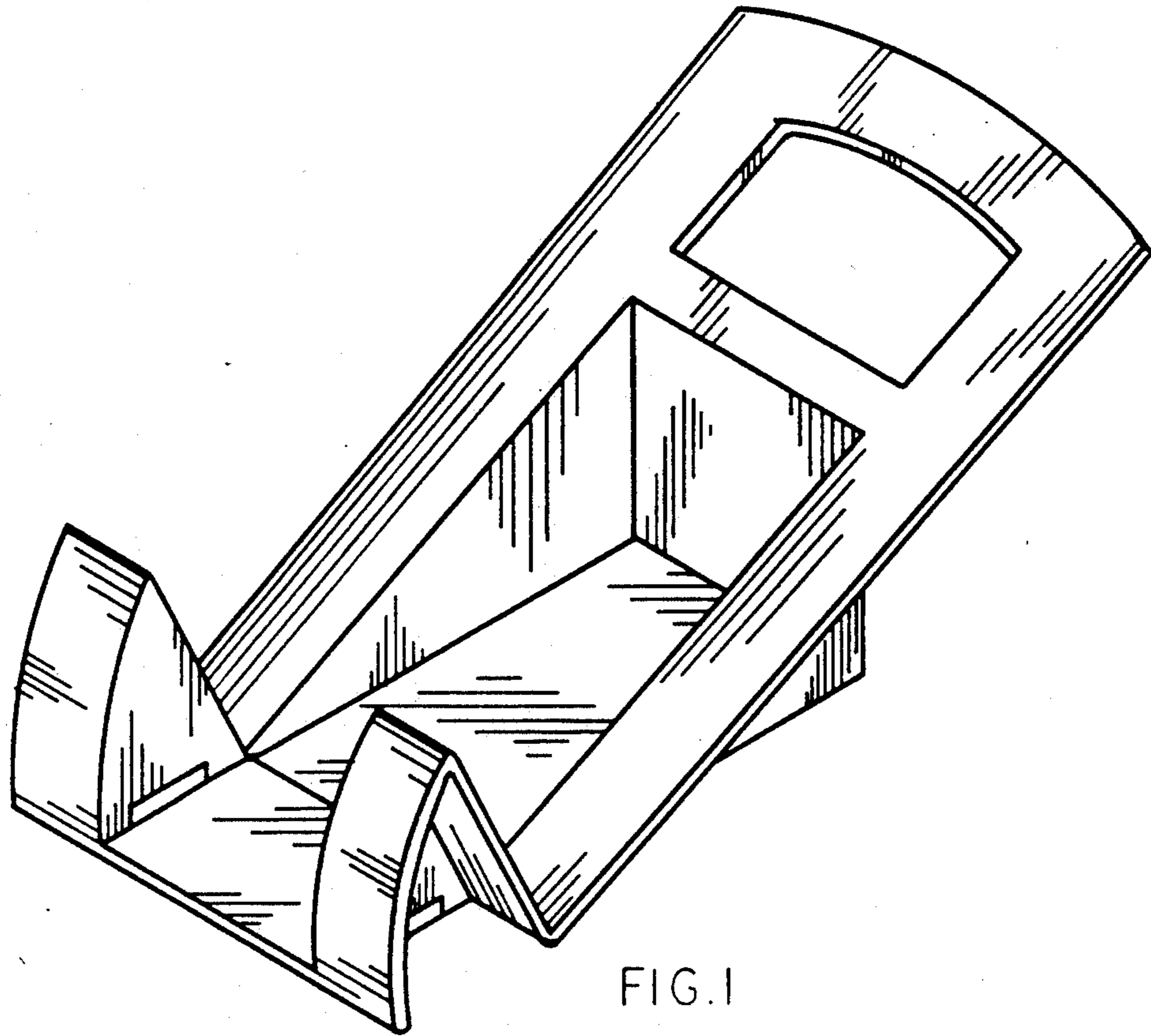


FIG. 1

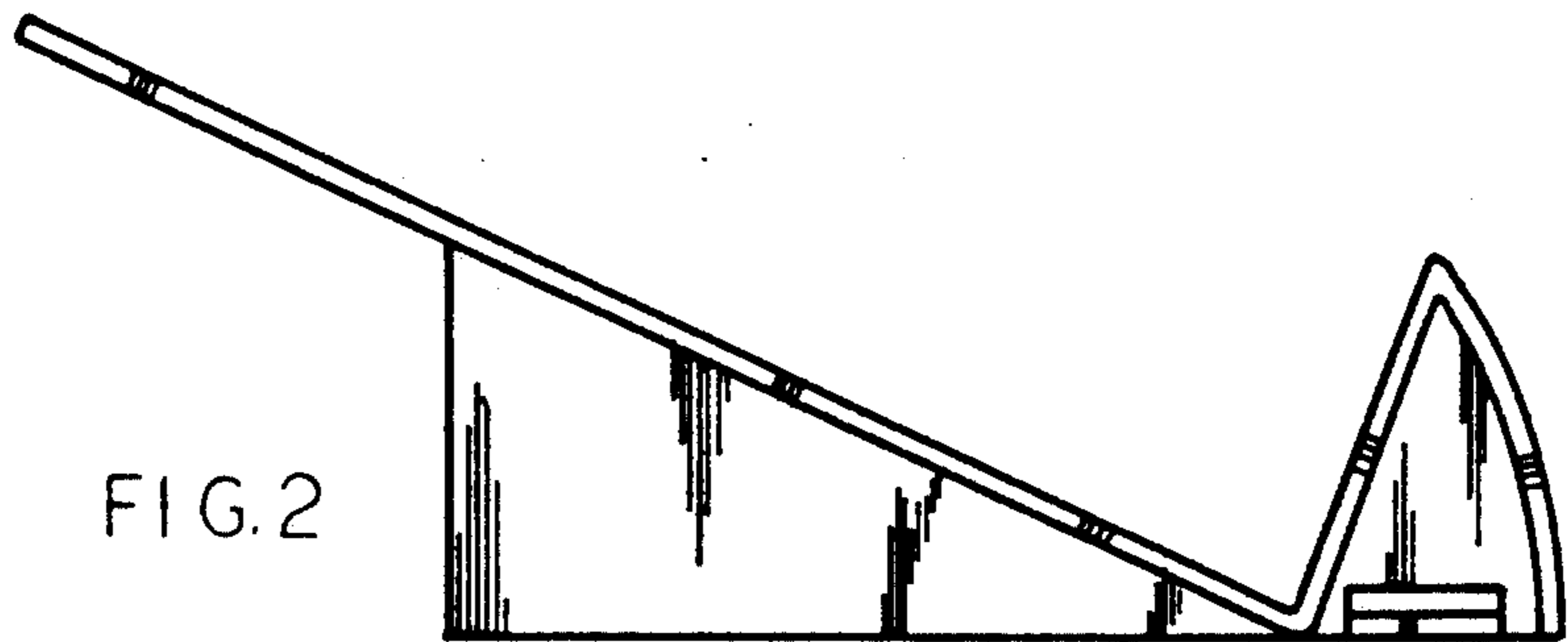


FIG. 2

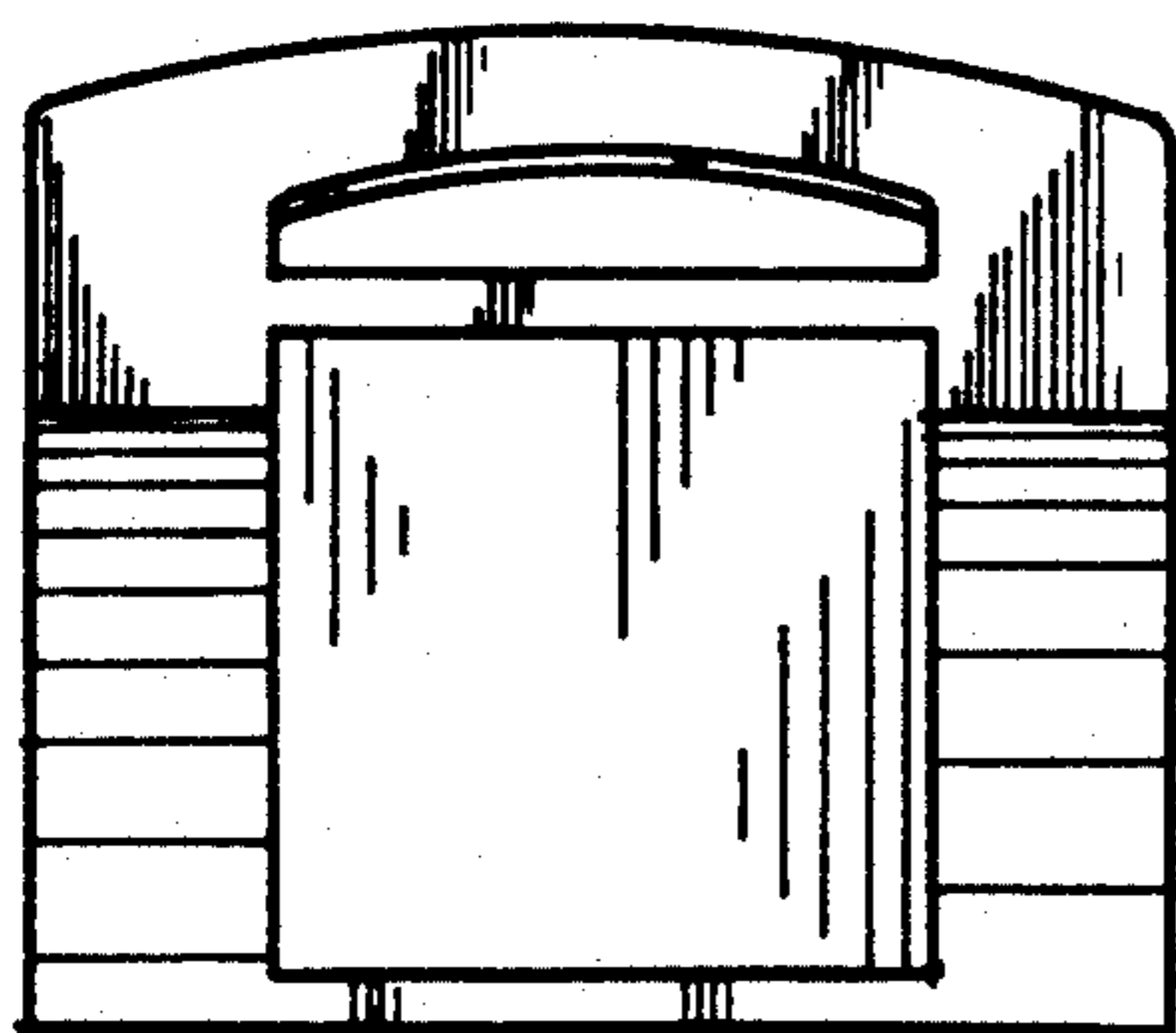


FIG. 3

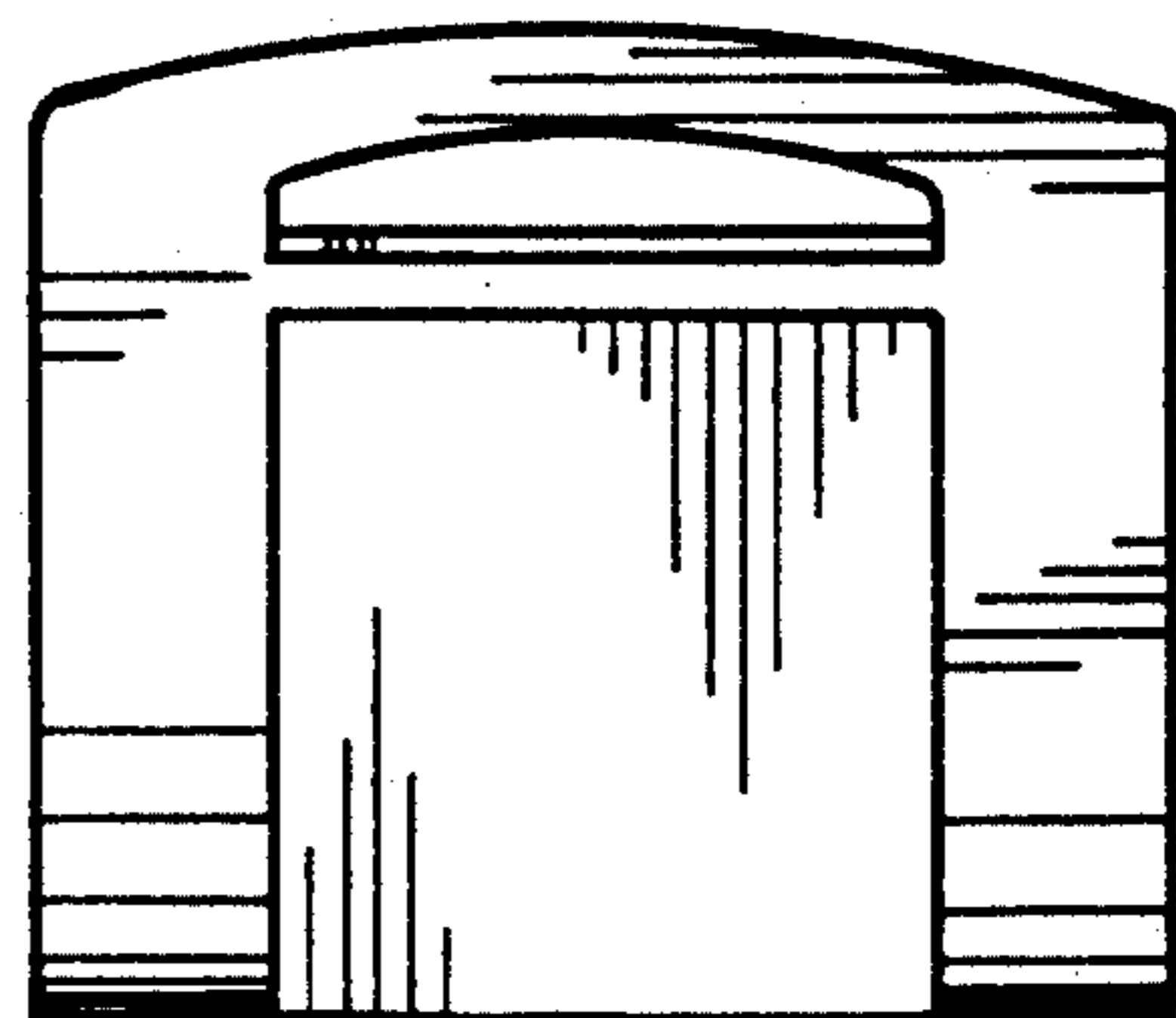


FIG. 4

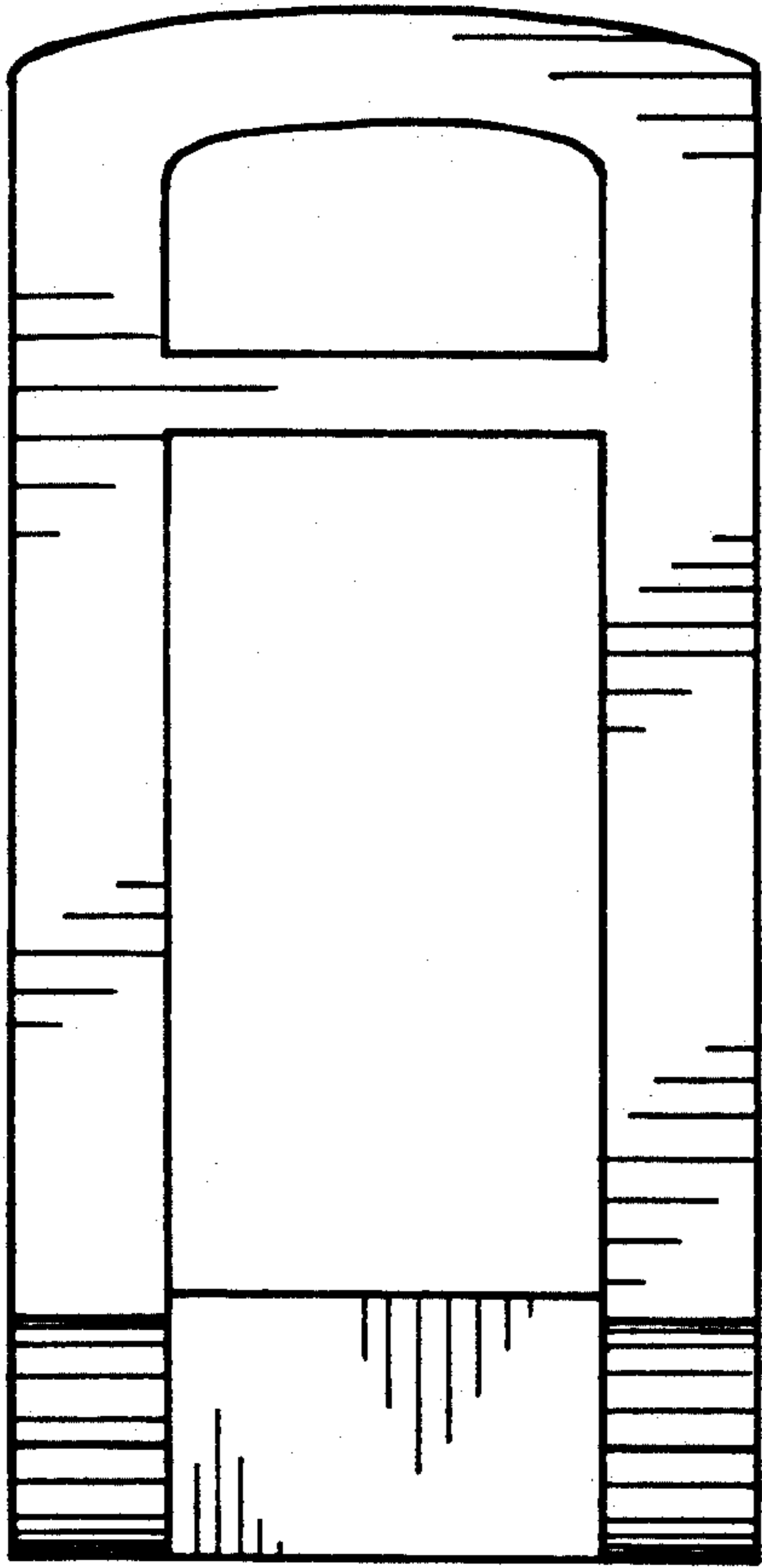


FIG. 5

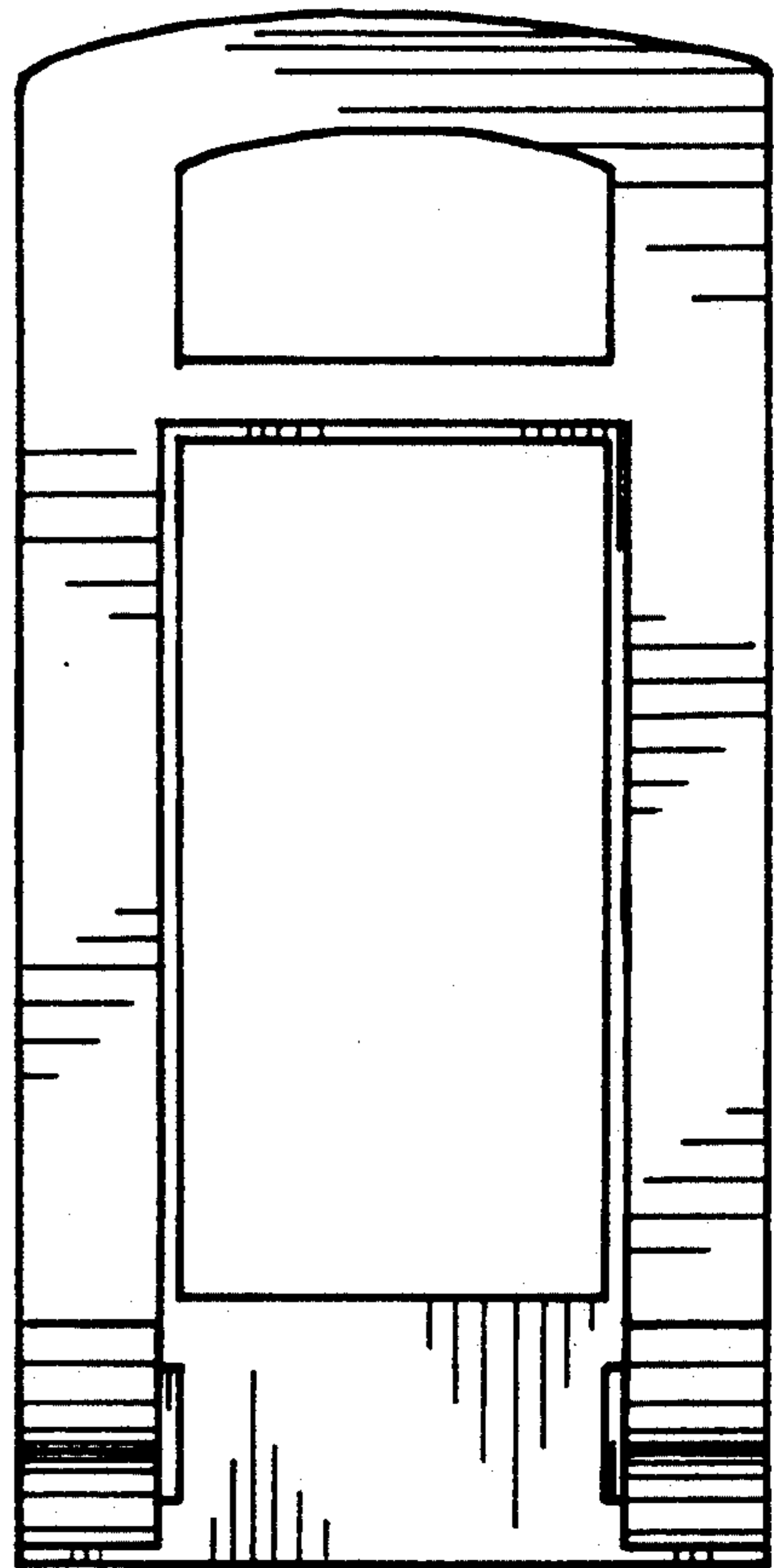


FIG. 6