



US00D339148S

# United States Patent [19]

[11] Patent Number: **Des. 339,148**

Omi

[45] Date of Patent: **\*\* Sep. 7, 1993**

[54] **MICROSCOPE**

[75] Inventor: **Shoichi Omi, Tokyo, Japan**

[73] Assignee: **Tasco Sales, Inc., Miami, Fla.**

[\*\*] Term: **14 Years**

[21] Appl. No.: **744,218**

[22] Filed: **Aug. 13, 1991**

[52] U.S. Cl. .... **D16/131**

[58] Field of Search ..... **D16/131; 359/368, 382, 359/385, 391, 392, 393, 399, 383**

D. 273,685 5/1984 Yamada ..... D16/131  
D. 294,037 2/1988 Yamada ..... D16/131  
5,052,788 10/1991 Tachibana ..... 359/391 X

*Primary Examiner—A. Hugo Word*  
*Assistant Examiner—Doris V. Coles*  
*Attorney, Agent, or Firm—Bader and Bader*

[57] **CLAIM**

The ornamental design for a microscope, as shown.

**DESCRIPTION**

FIG. 1 is a front view of a microscope showing my new design;  
FIG. 2 is a side view thereof;  
FIG. 3 is an opposite side view thereof;  
FIG. 4 is a top plan view thereof;  
FIG. 5 is a rear view thereof; and,  
FIG. 6 is a bottom plan view thereof.

[56] **References Cited**

**U.S. PATENT DOCUMENTS**

D. 192,824 5/1962 Preble, Jr. .... D16/131  
D. 193,214 7/1962 Preble, Jr. .... D16/131  
D. 215,889 11/1969 Suzuki ..... D16/131

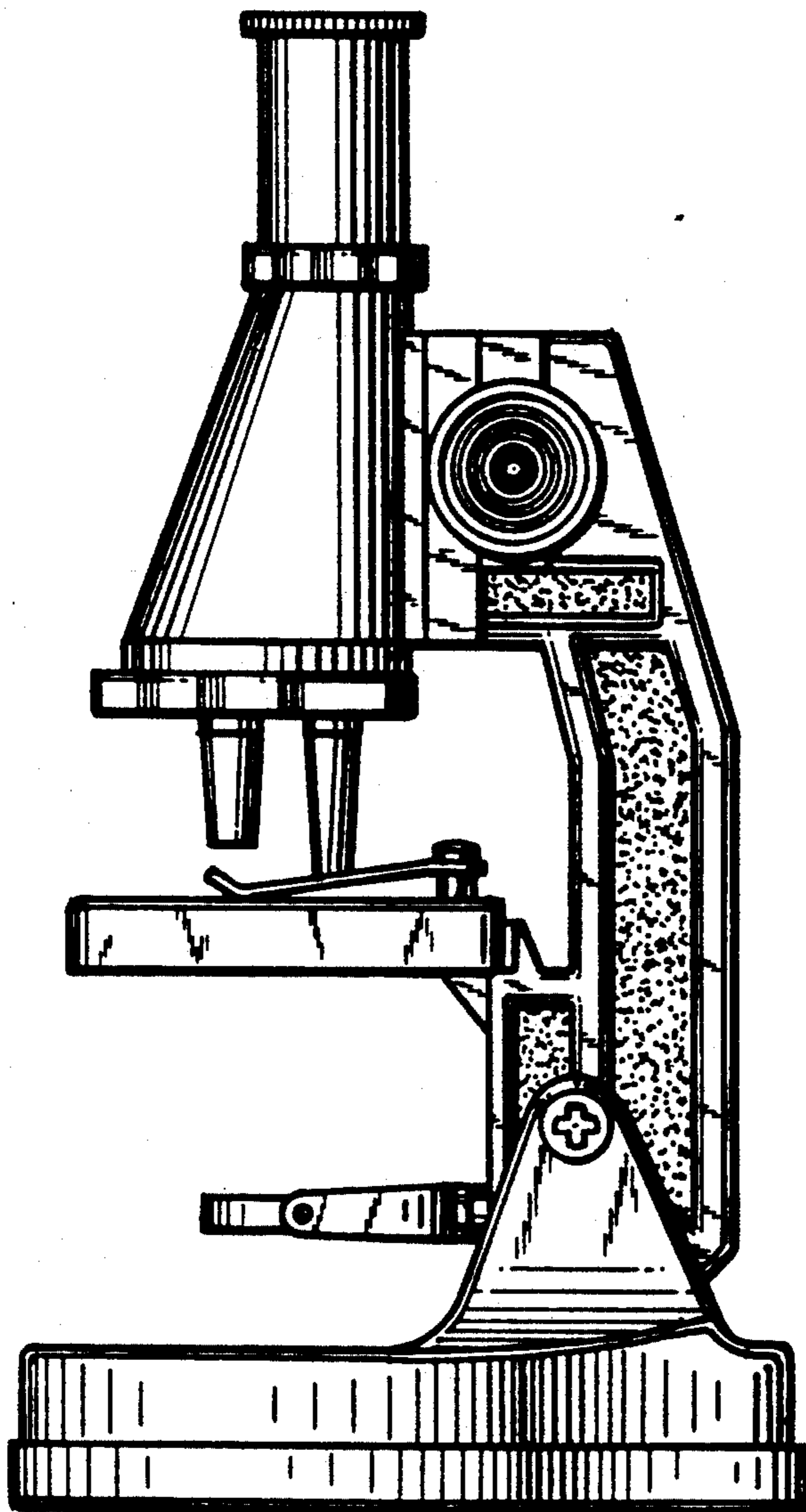


FIG.1

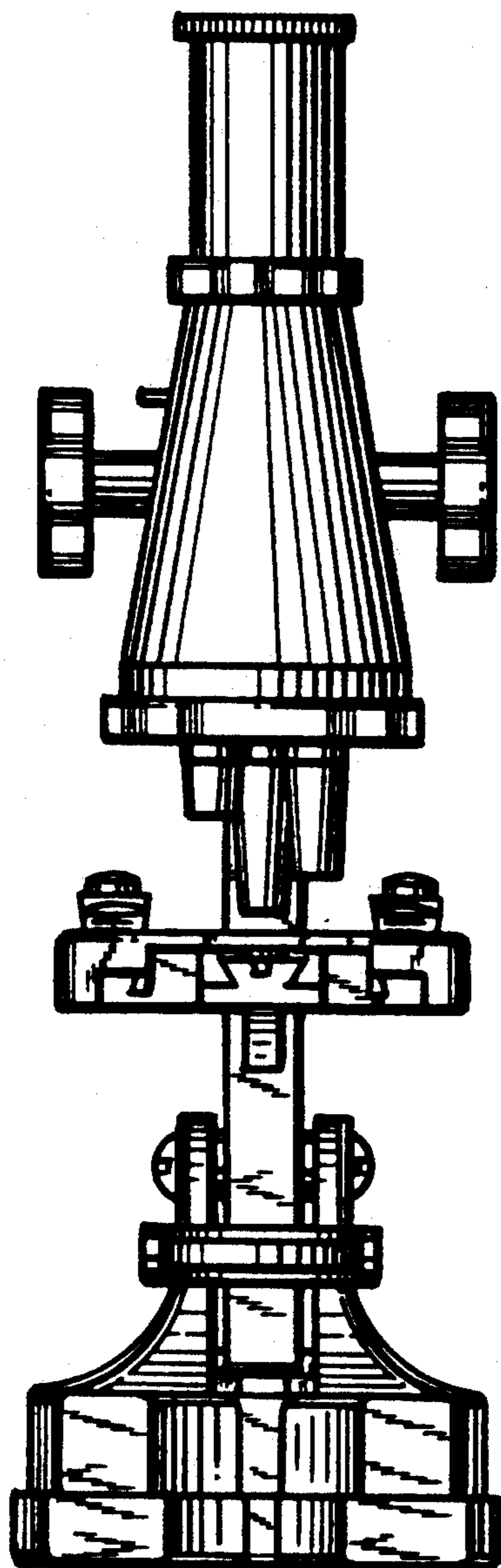


FIG.2

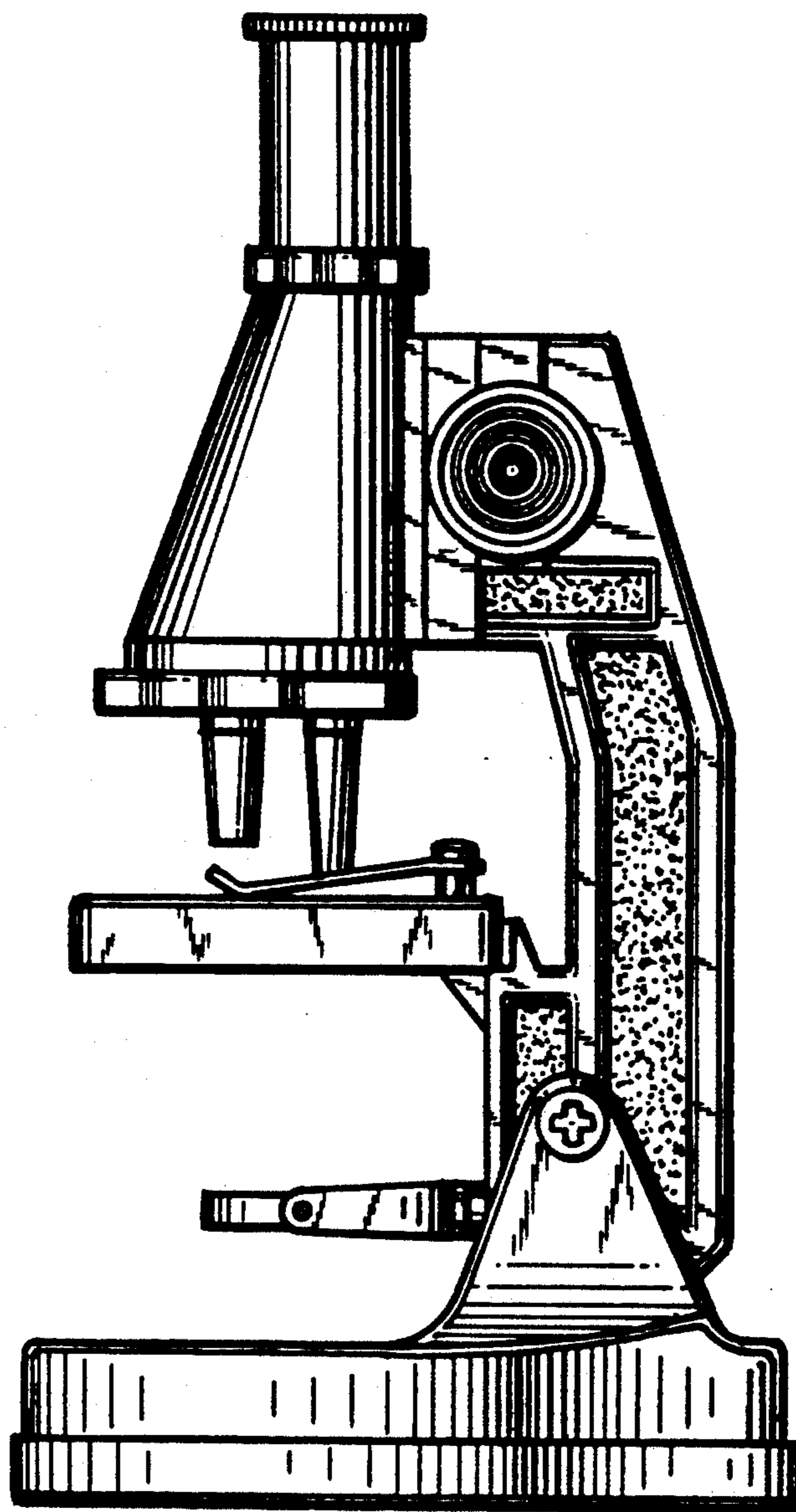


FIG.4

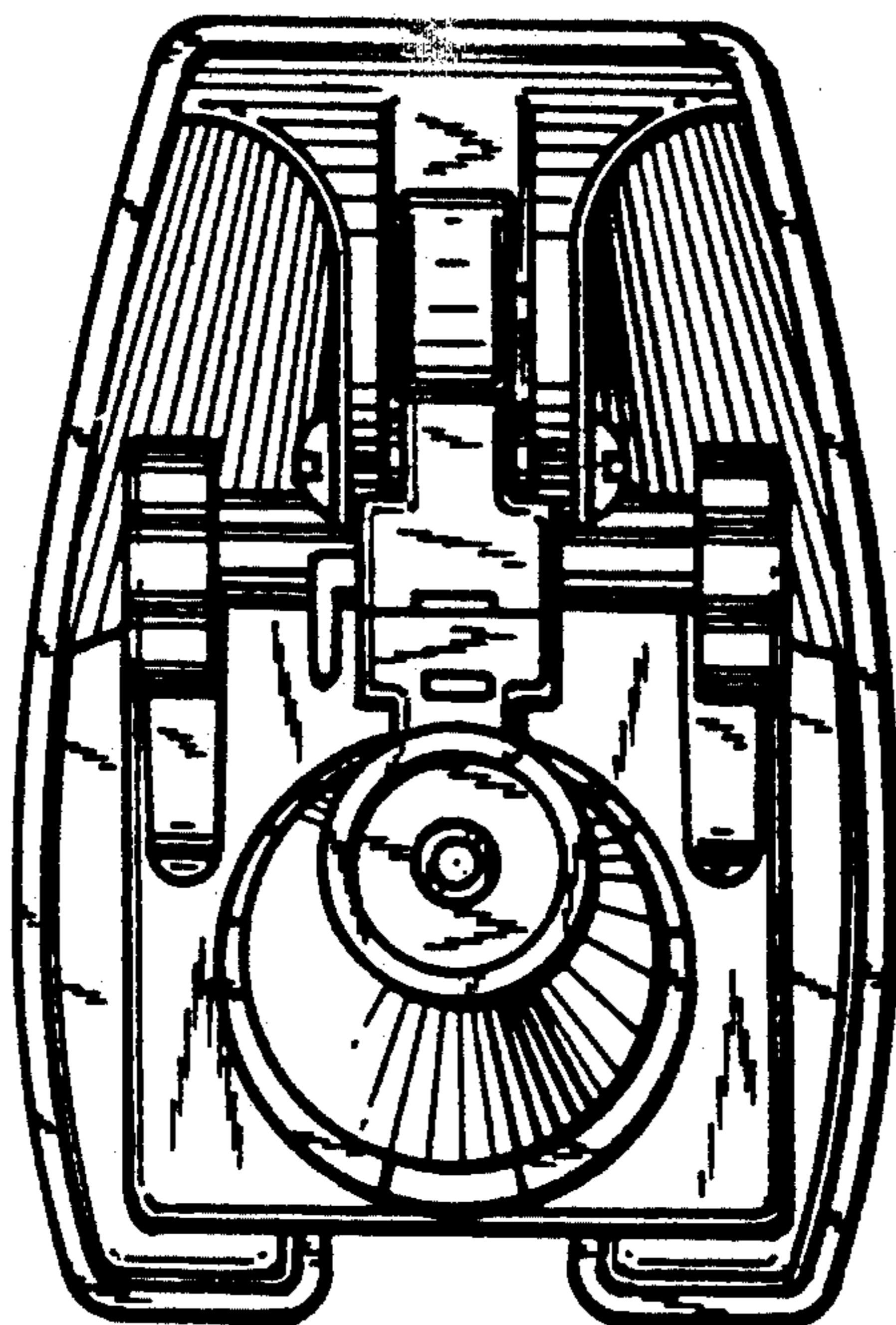


FIG.6

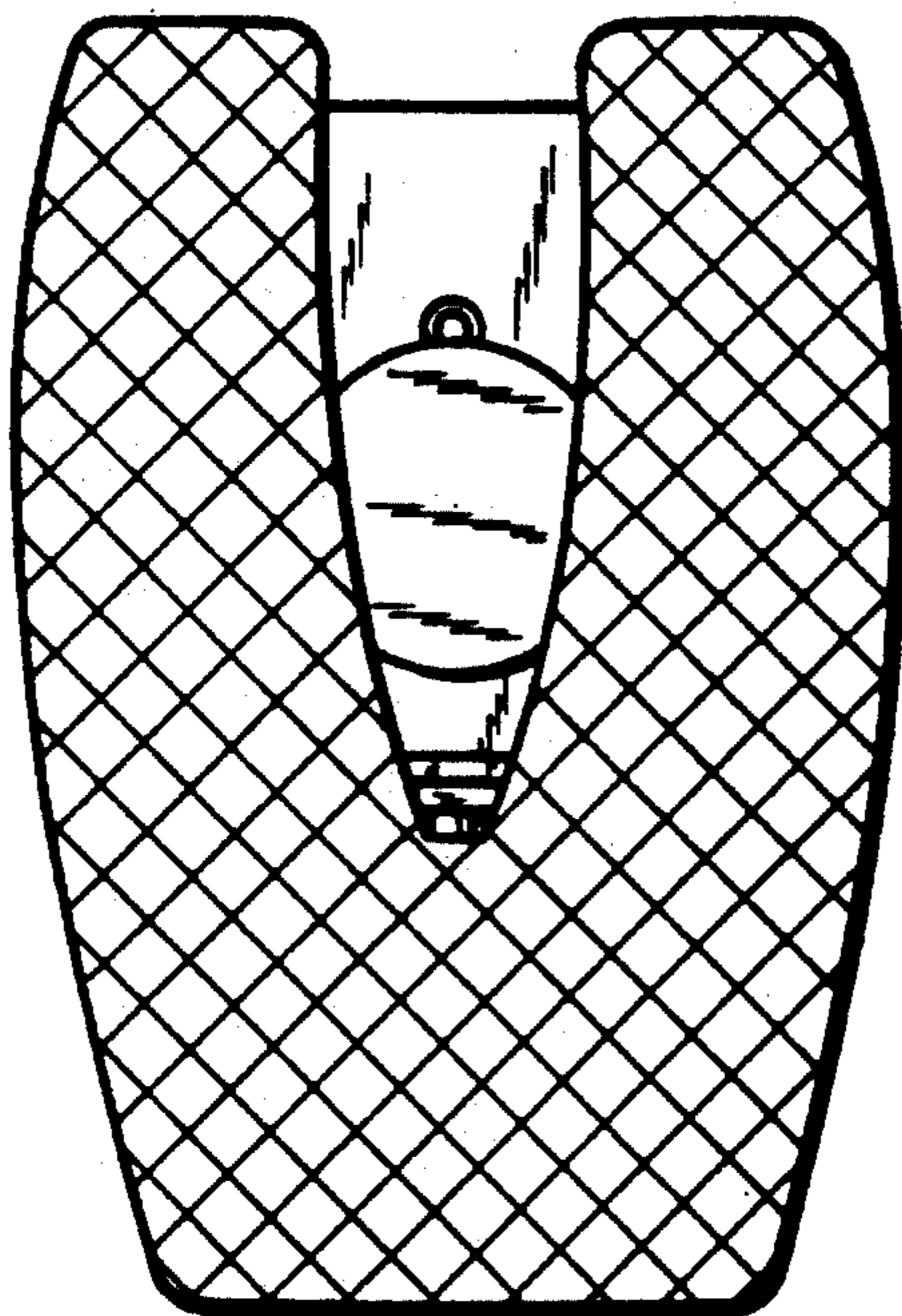


FIG.3

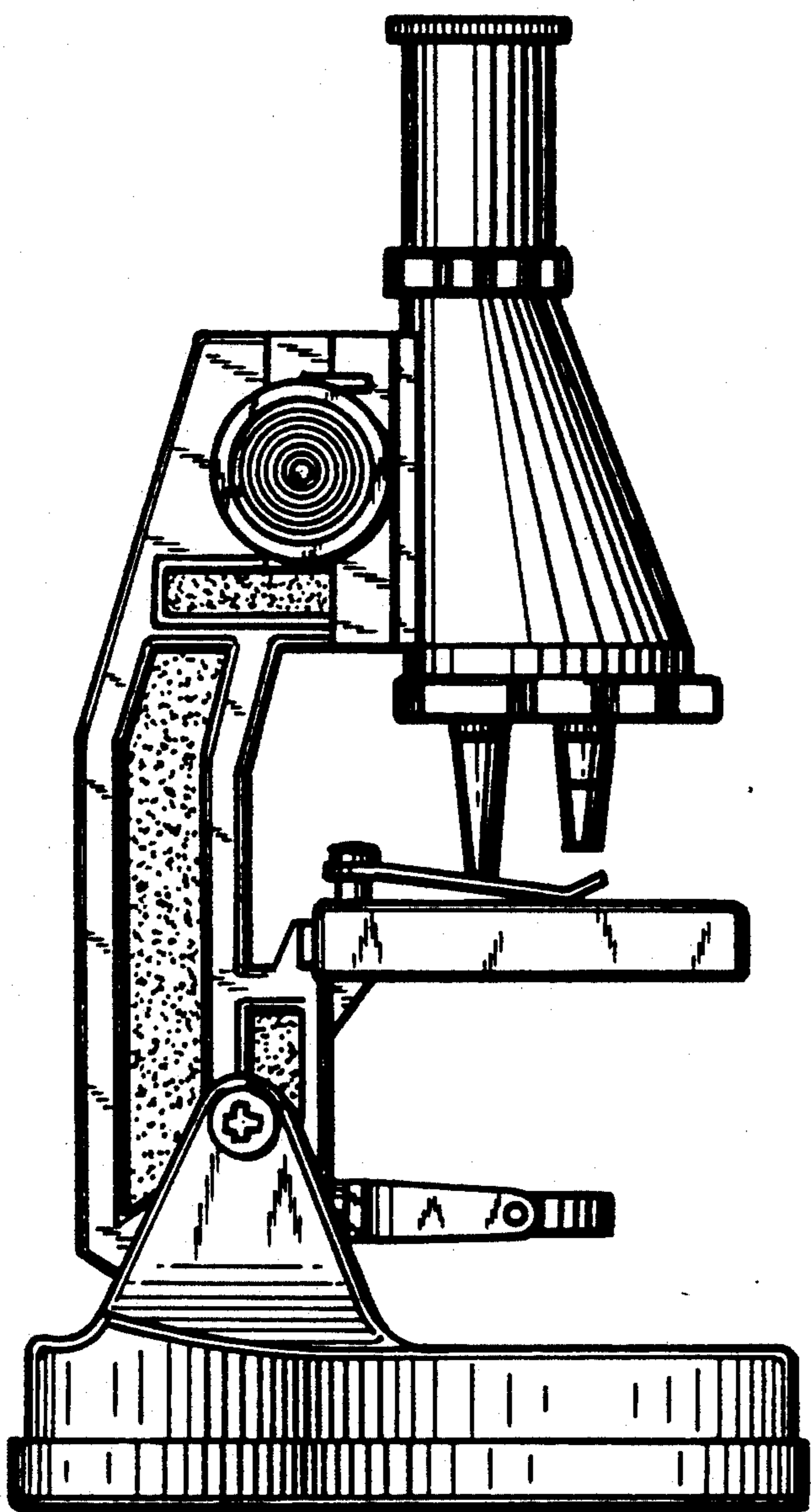


FIG.5

