



US00D339145S

United States Patent [19]

[11] Patent Number: **Des. 339,145**

Earley, Jr.

[45] Date of Patent: **** Sep. 7, 1993**

[54] WEED CUTTING ATTACHMENT FOR A RIDING MOWER

4,466,235 8/1984 Cole .
4,756,148 7/1988 Gander et al. 56/12.7
5,063,673 11/1991 Webster 30/276

[76] Inventor: **Gilbert E. Earley, Jr., Rd. 9 Box #102, Carlisle, Pa. 17013**

FOREIGN PATENT DOCUMENTS

[**] Term: **14 Years**

2352484 12/1977 France .
951951 3/1964 United Kingdom .

[21] Appl. No.: **665,170**

Primary Examiner—Bernard Ansher
Assistant Examiner—Sandra Morris
Attorney, Agent, or Firm—Terry M. Gernstein

[22] Filed: **Mar. 6, 1991**

[52] U.S. Cl. **D15/17**

[58] Field of Search **D8/8; D15/14-17; 30/272, 276, 390, DIG. 5; 56/12.7, 255, 256; 172/14, 15**

[57] CLAIM

The ornamental design for a weed cutting attachment for a riding mower, as shown and described.

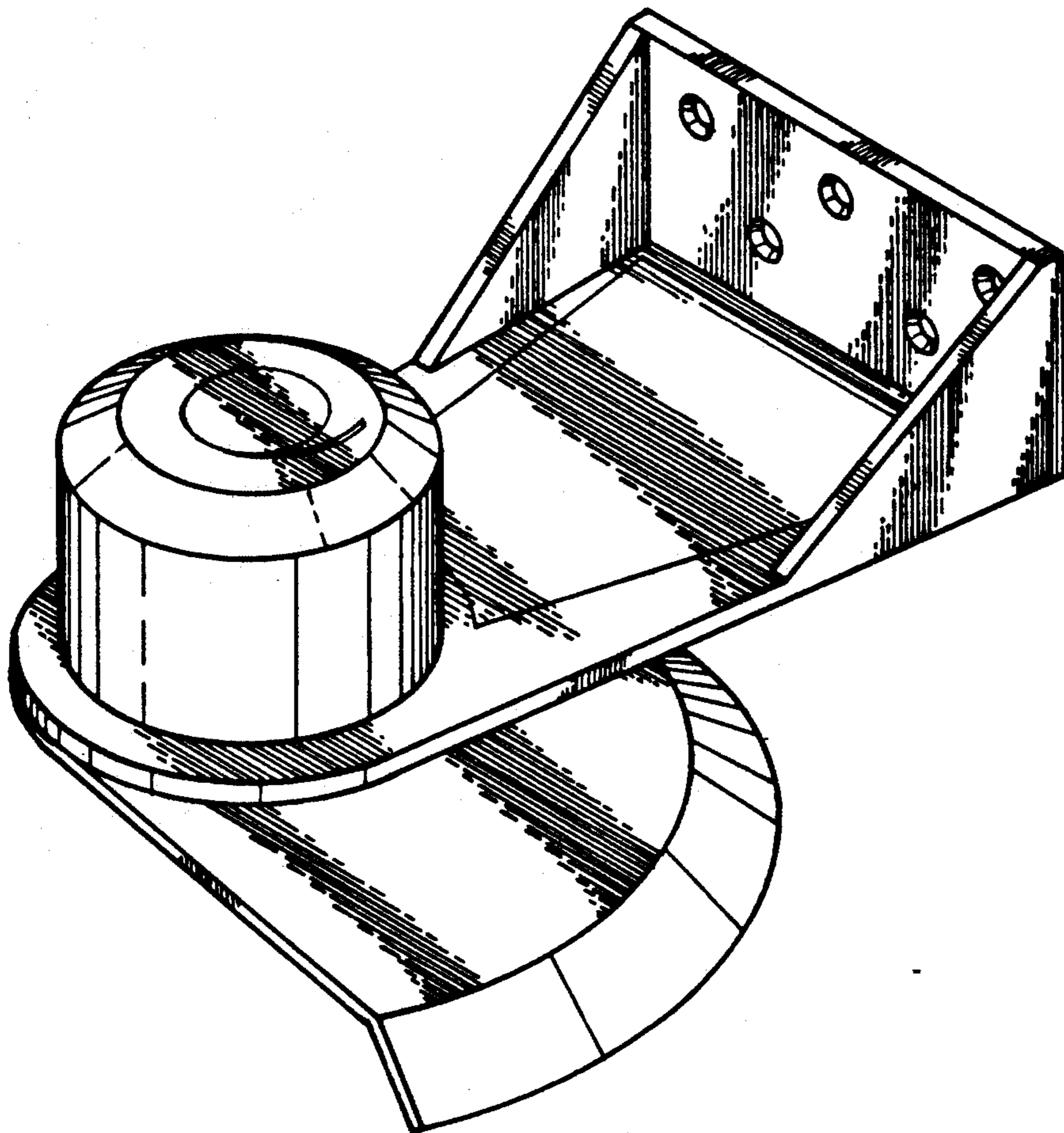
[56] References Cited

U.S. PATENT DOCUMENTS

D. 253,086	10/1979	Hinklin et al.	D8/8
D. 304,728	11/1989	Piorkowski	D15/16
D. 311,009	10/1990	Wilkins	D15/17
D. 331,930	12/1992	Whetsel	D15/16
3,979,827	9/1976	Anzur	D15/17
4,182,100	1/1980	Letter .	
4,379,385	4/1983	Reinhal .	
4,411,125	10/1983	Strickland .	

DESCRIPTION

FIG. 1 is a perspective view of the weed cutting attachment for a riding mower embodying the design of the present invention;
FIG. 2 is a front elevational view thereof;
FIG. 3 is a front elevational view thereof;
FIG. 4 is a side elevational view thereof;
FIG. 5 is a side elevational view thereof;
FIG. 6 is a top plan view thereof; and,
FIG. 7 is a bottom plan view thereof.



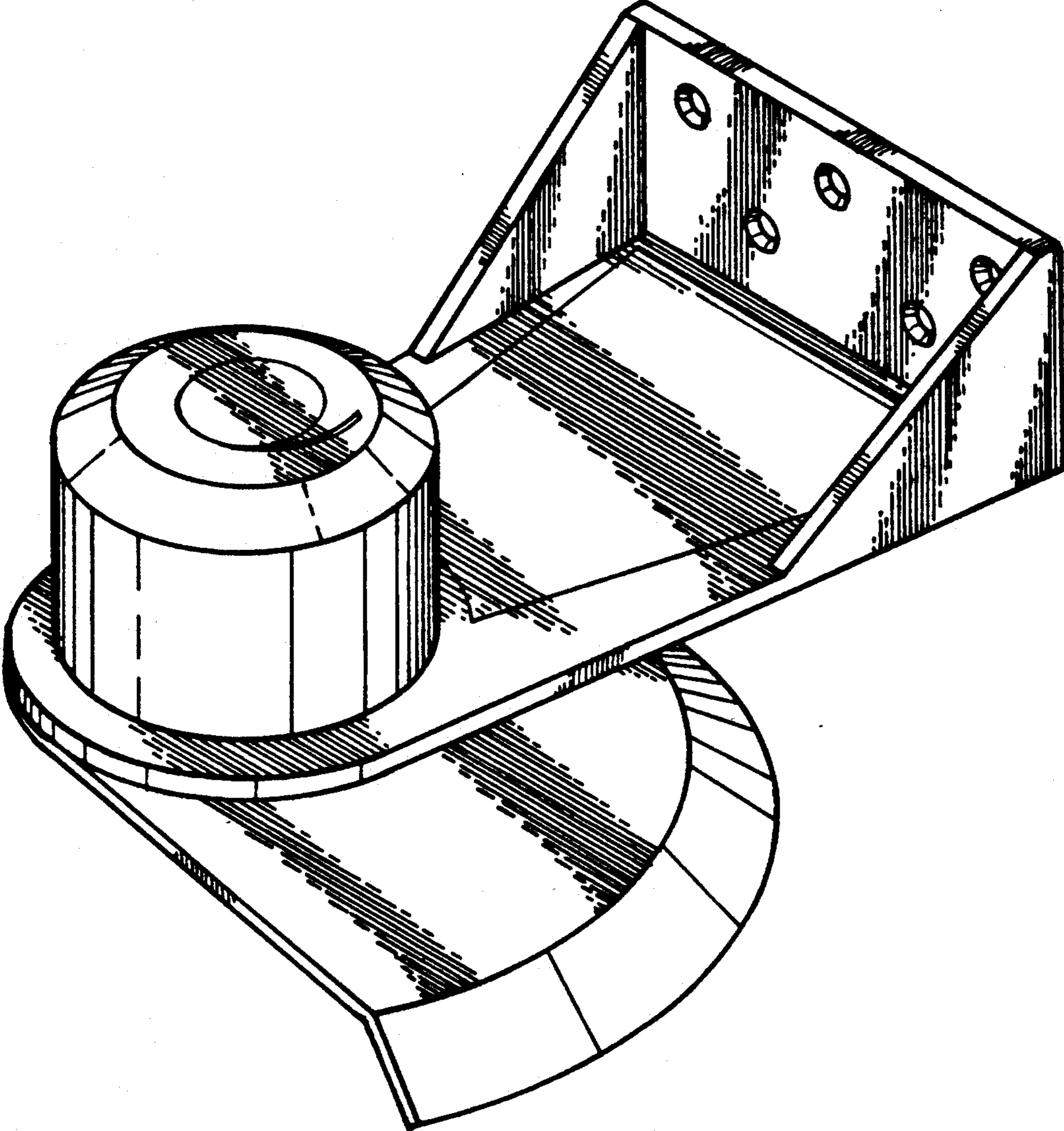


FIG. 1

FIG. 2

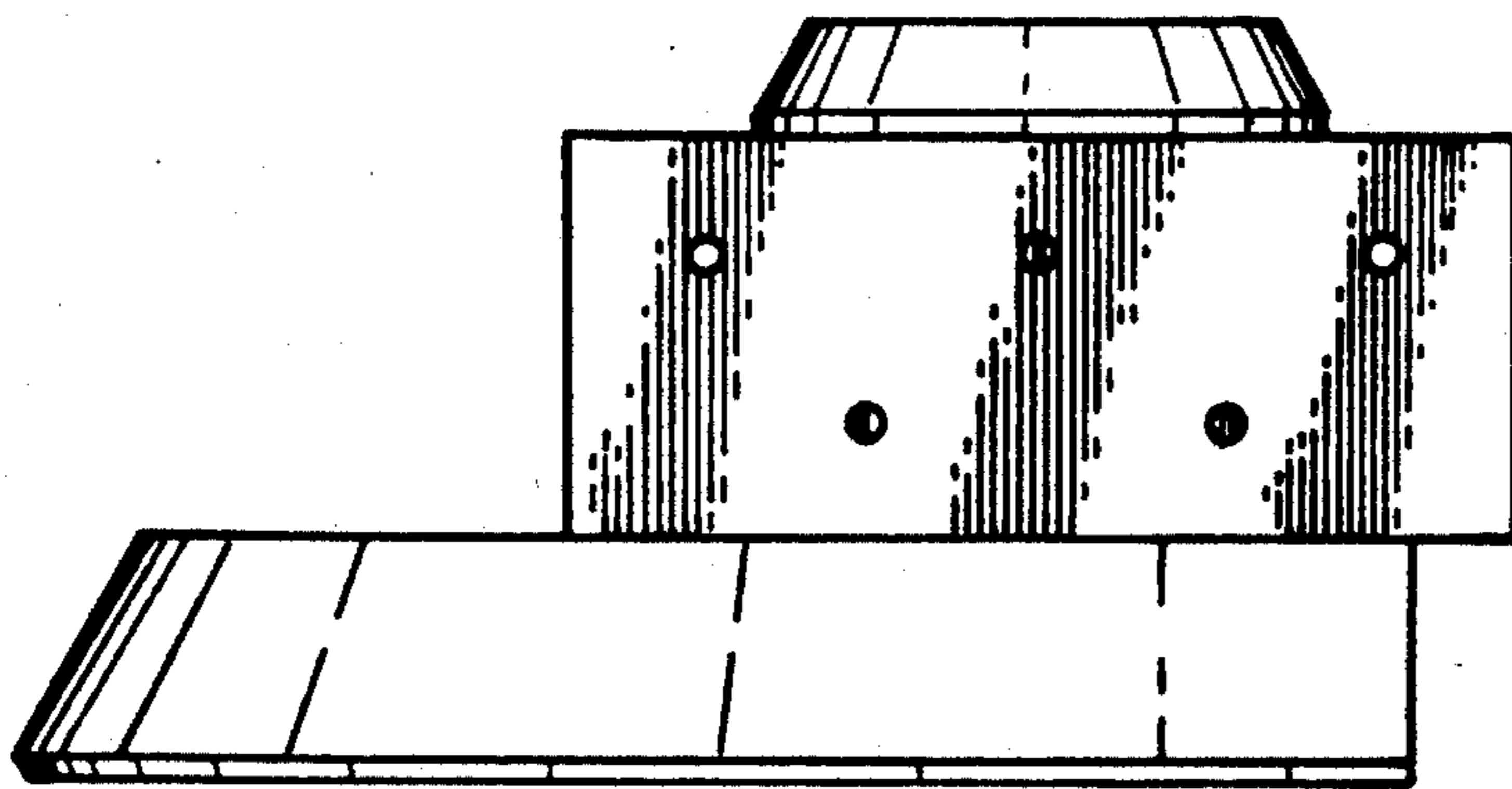
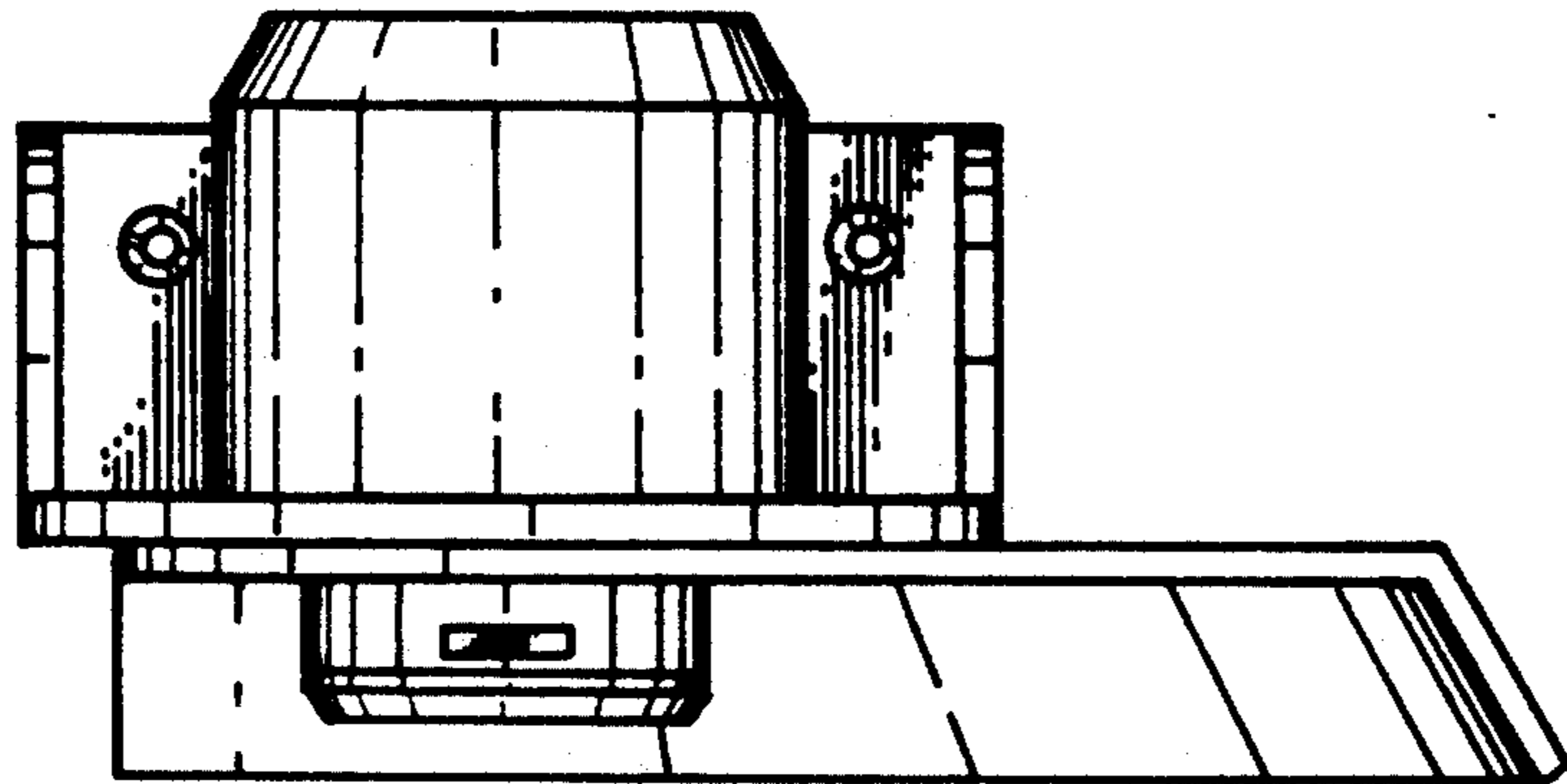


FIG. 3

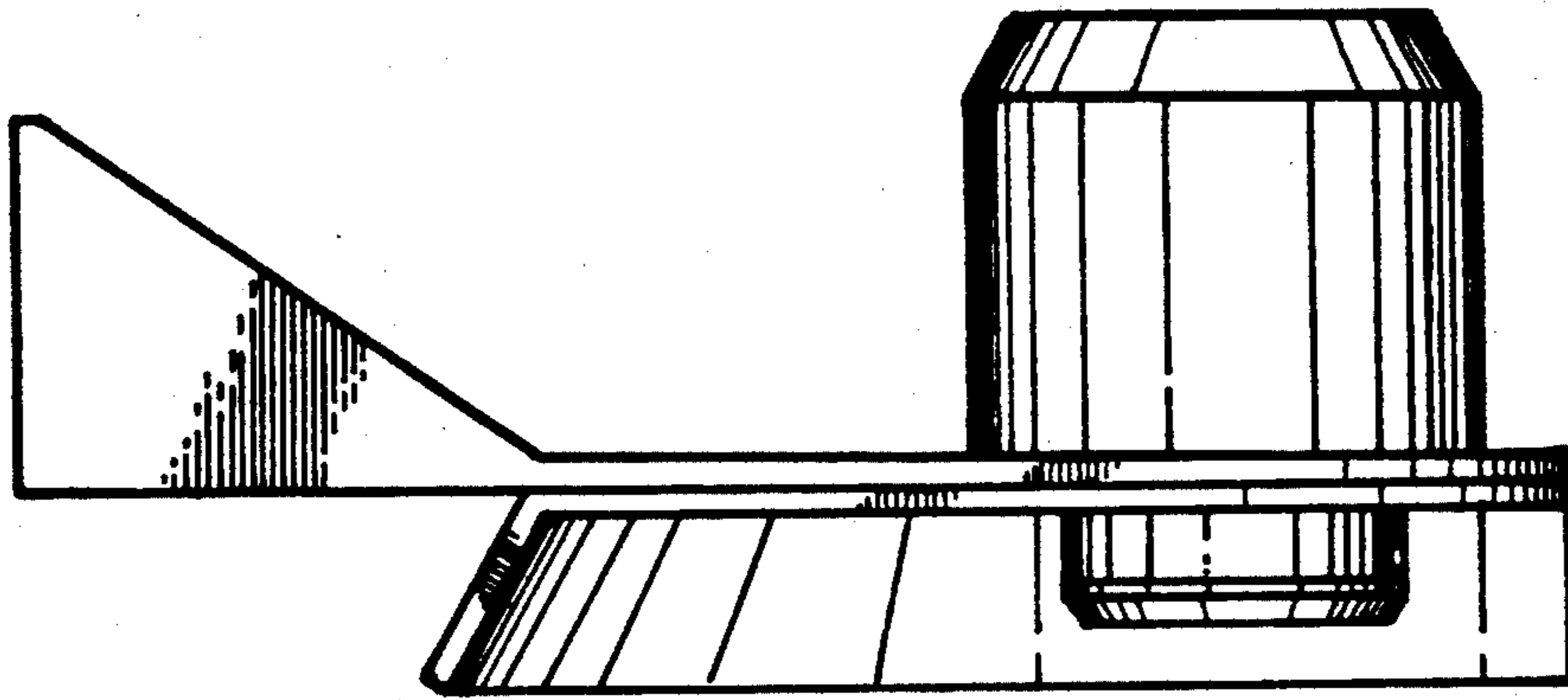


FIG. 4

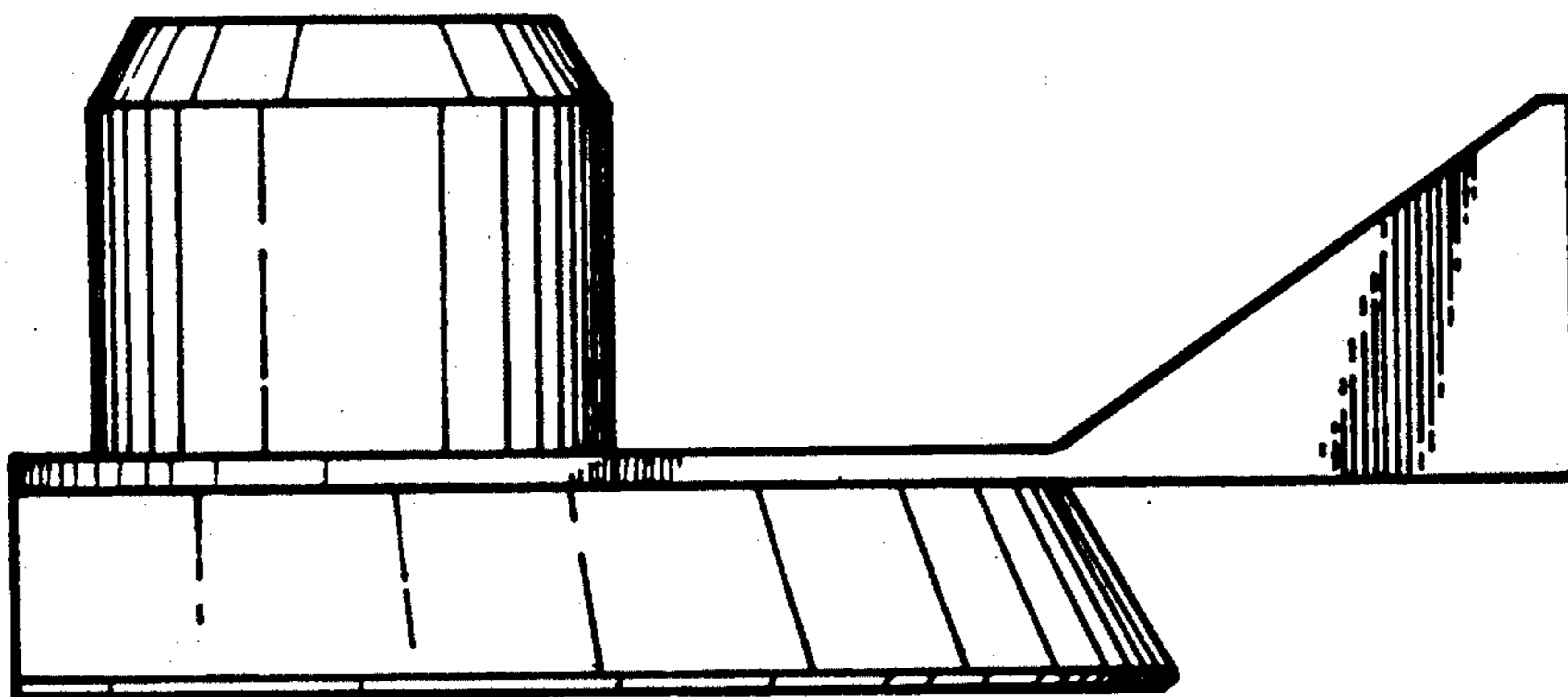


FIG. 5

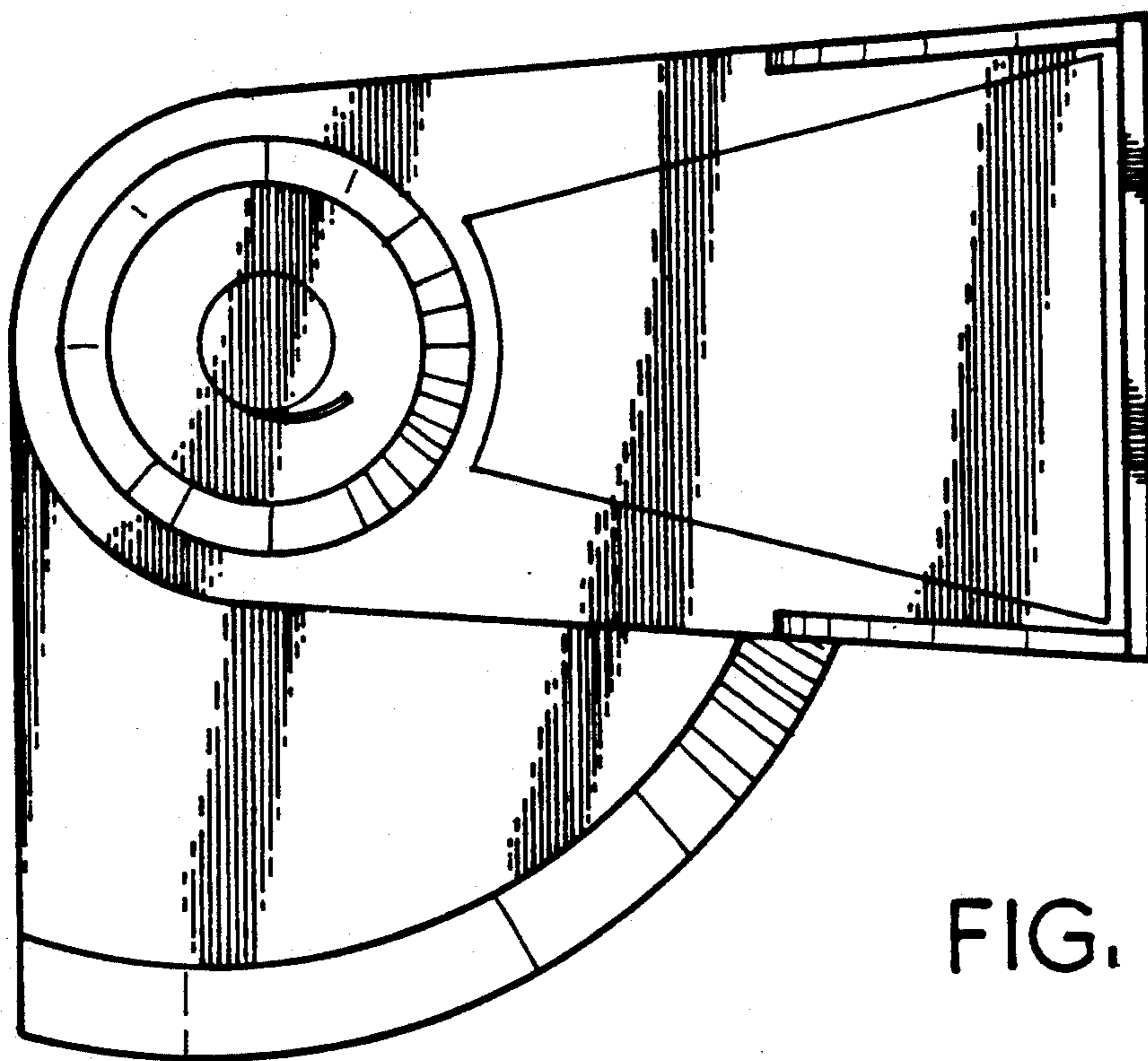


FIG. 6

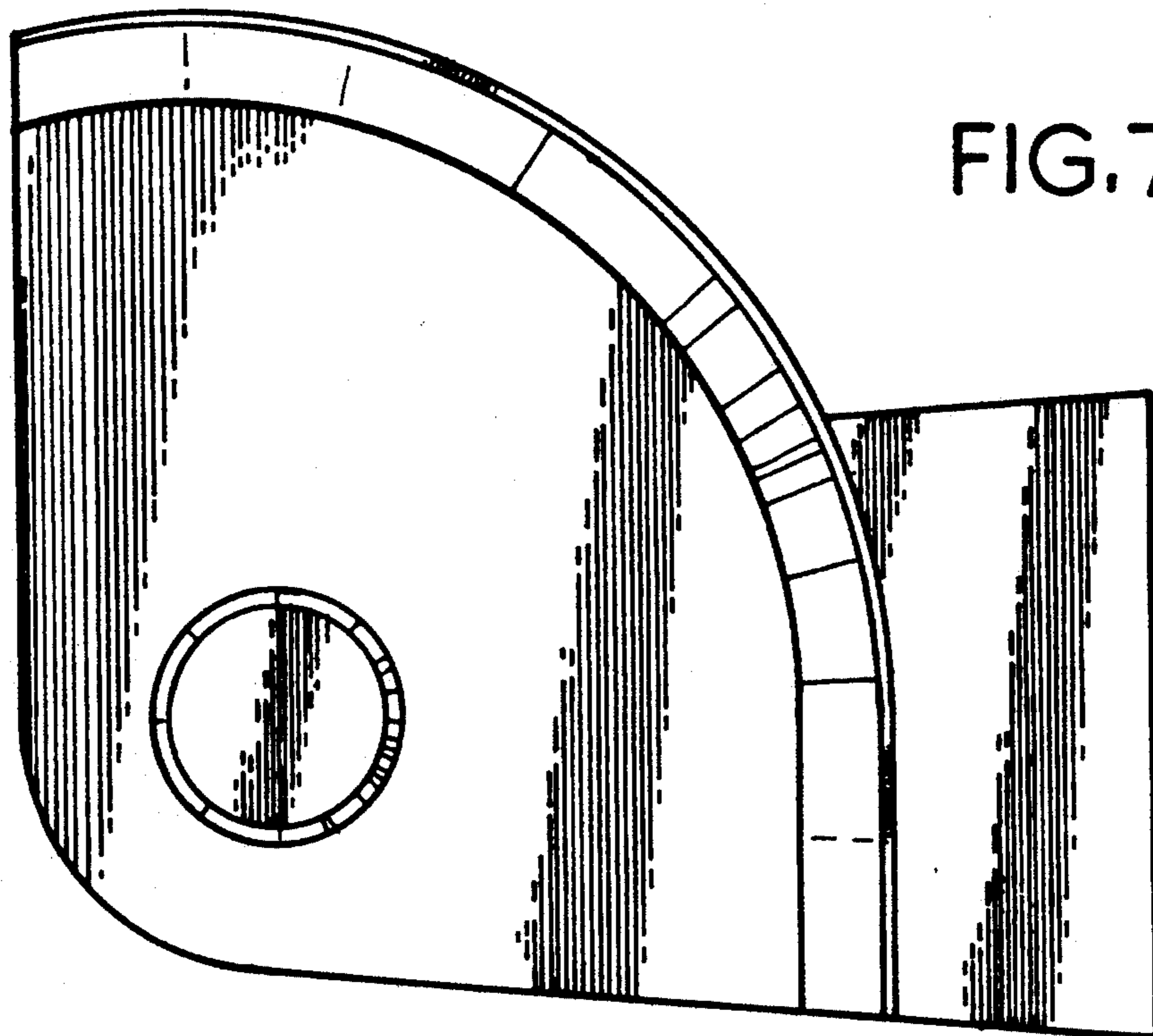


FIG. 7