



US00D339144S

# United States Patent [19]

[11] Patent Number: **Des. 339,144**

Cline, Sr.

[45] Date of Patent: **\*\* Sep. 7, 1993**

[54] **LOW PROFILE ELECTRIC MOTOR DRIVEN LIFT PUMP**

2,660,953	12/1953	Tinker et al.	.....	415/182.1
2,934,245	4/1960	Emery	.....	415/182.1
3,068,074	12/1962	Boekemeier	.....	366/604
3,409,015	11/1968	Swansen	.....	137/223
4,695,222	9/1987	Barraza et al.	.....	415/80

[75] Inventor: **Jack M. Cline, Sr.,** Clarksville, Ark.

[73] Assignee: **Clarksville Machine Works, Inc.,**  
Clarksville, Ark.

[\*\*] Term: **14 Years**

*Primary Examiner*—A. Hugo Word  
*Assistant Examiner*—R. Seifert  
*Attorney, Agent, or Firm*—Robert R. Keegan

[21] Appl. No.: **805,796**

[57] **CLAIM**

[22] Filed: **Dec. 10, 1991**

The ornamental design for a low profile electric motor driven lift pump, as shown and described.

[52] U.S. Cl. .... **D15/7**

[58] Field of Search ..... **D15/7-9;**  
417/239, 413 R, 410 R, 411; D13/112; 415/80,  
105, 108, 144, 145, 154.1, 182.1, 203, 226, 906,  
900

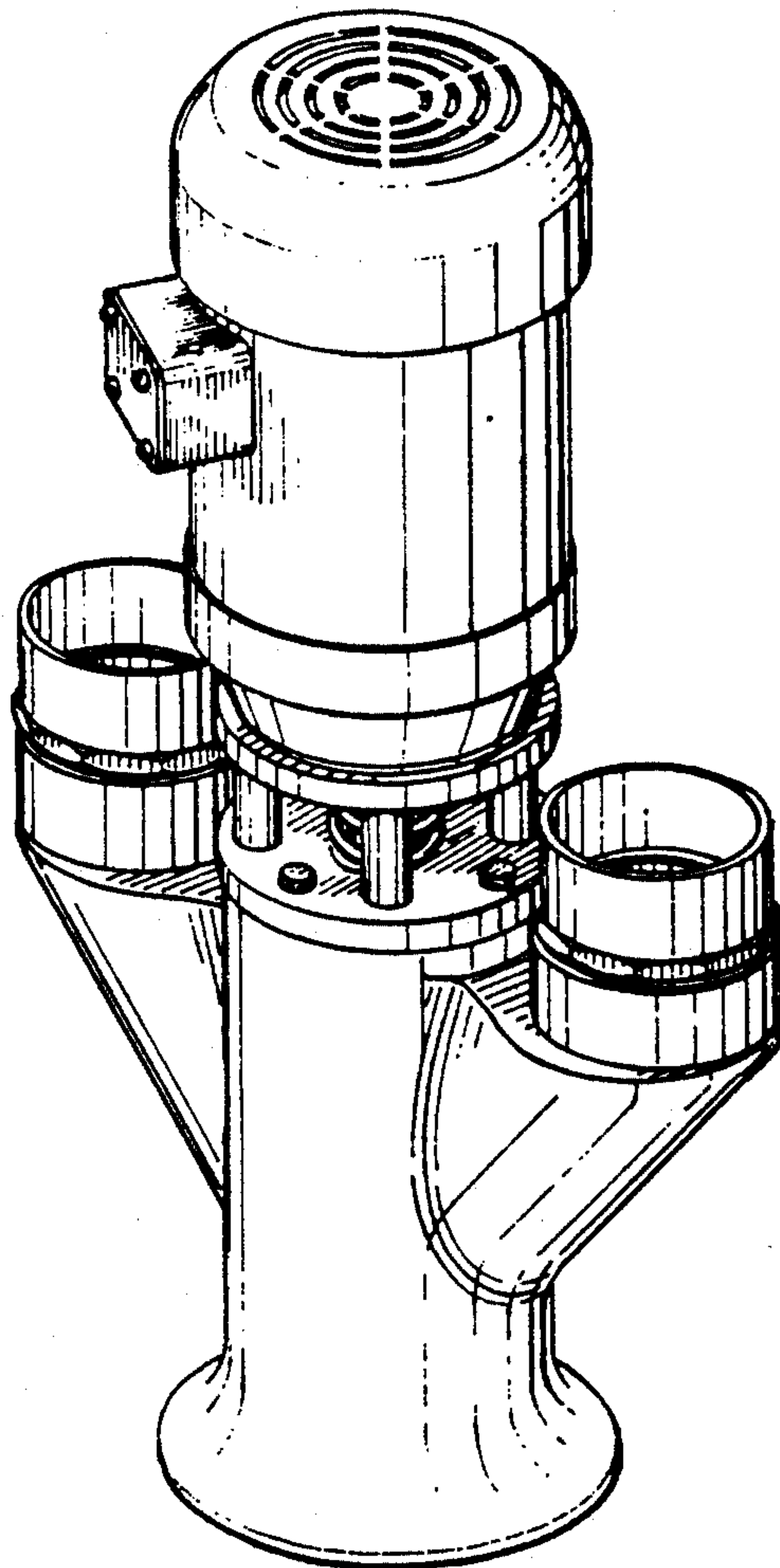
**DESCRIPTION**

FIG. 1 is a perspective view of a low profile electric motor driven lift pump showing my new design; FIG. 2 is a front elevational view thereof; FIG. 3 is a top plan view thereof; FIG. 4 is a bottom plan view thereof; FIG. 5 is a back elevational view thereof; FIG. 6 is a right side elevational view thereof; and, FIG. 7 is a left side elevational view thereof.

[56] **References Cited**

**U.S. PATENT DOCUMENTS**

D. 284,380	6/1986	Berg et al.	.....	D15/7
2,531,997	11/1950	Wade	.....	415/182.1



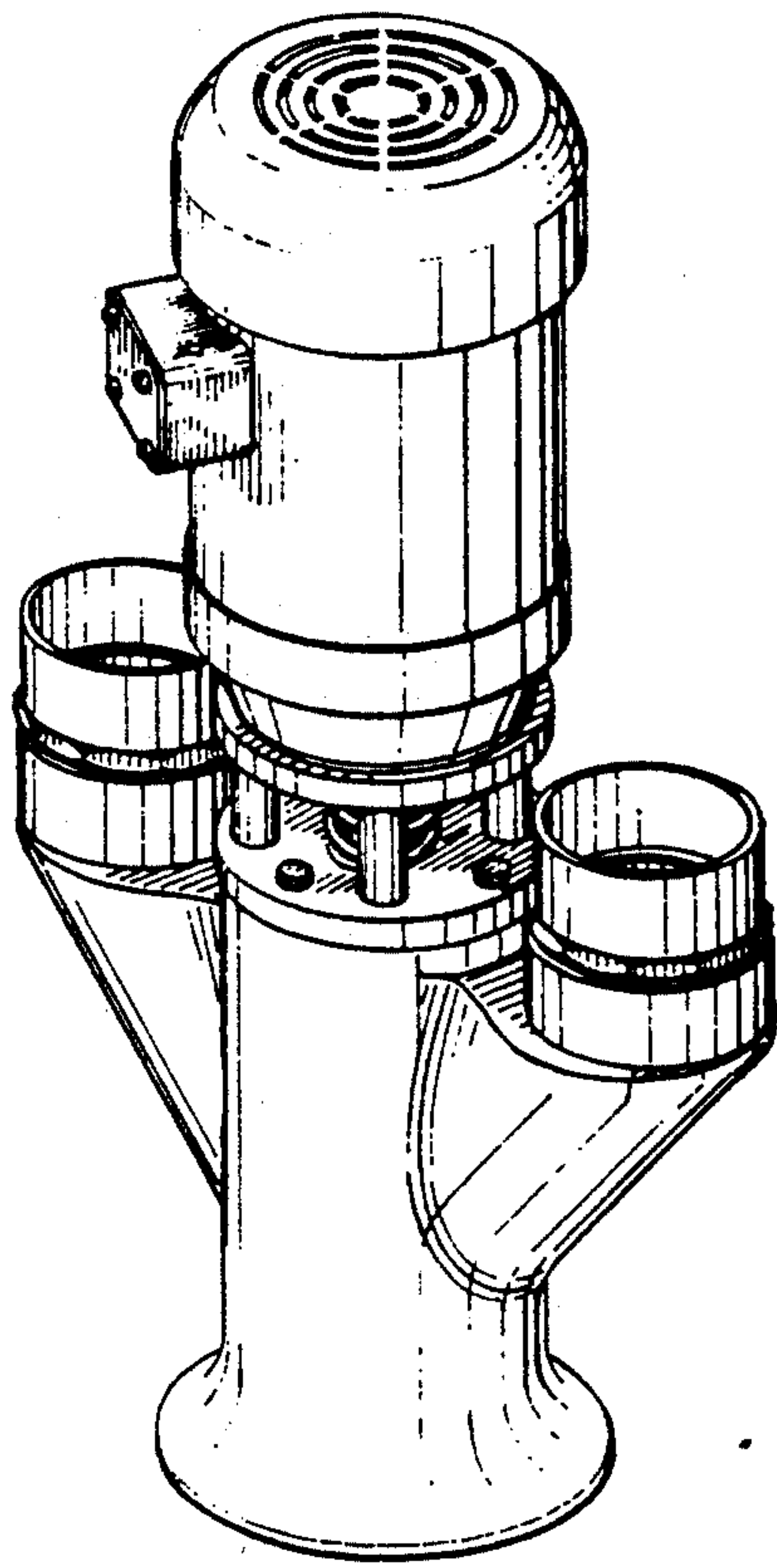


FIG. 1

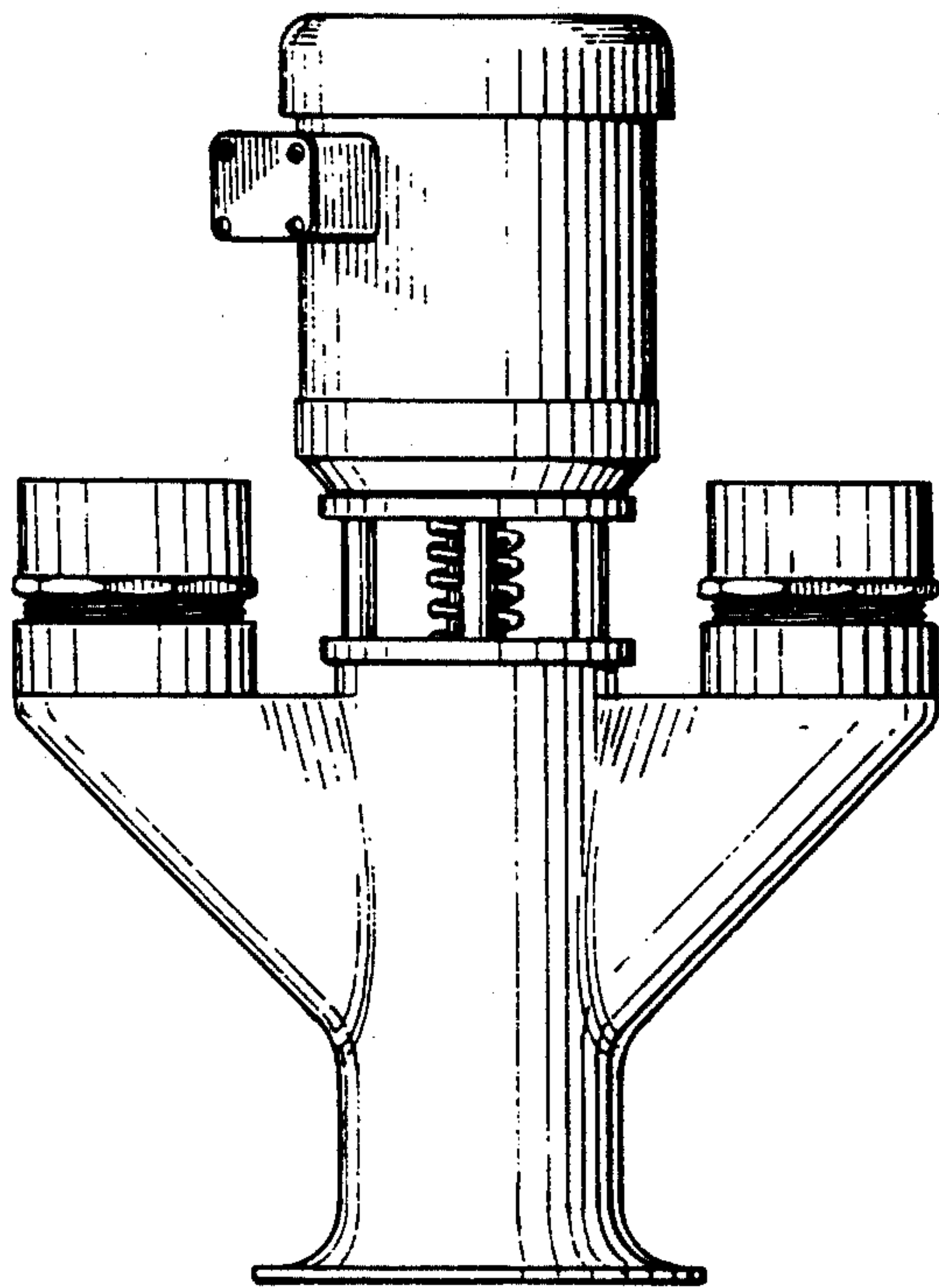


FIG. 2

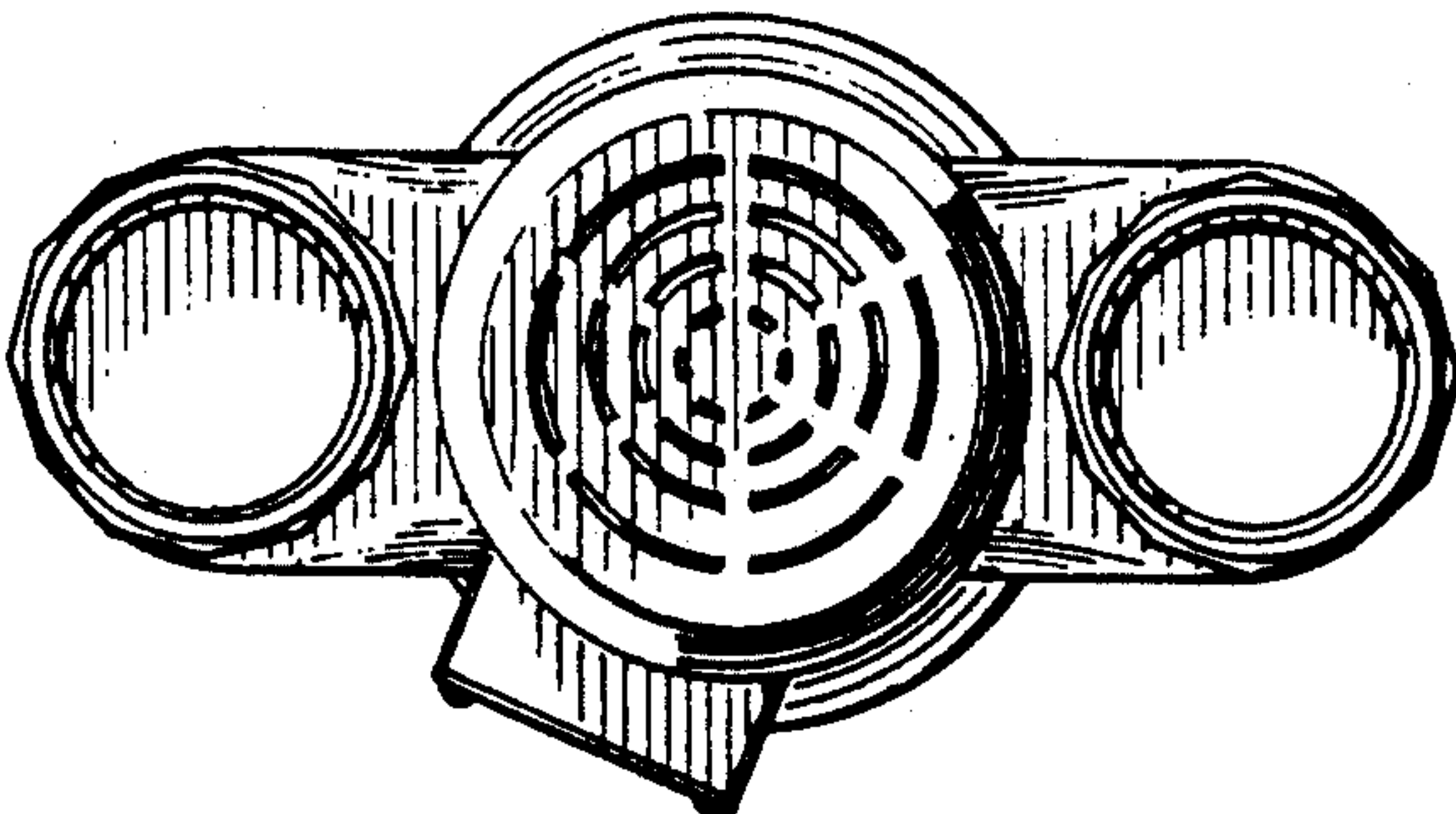


FIG. 3

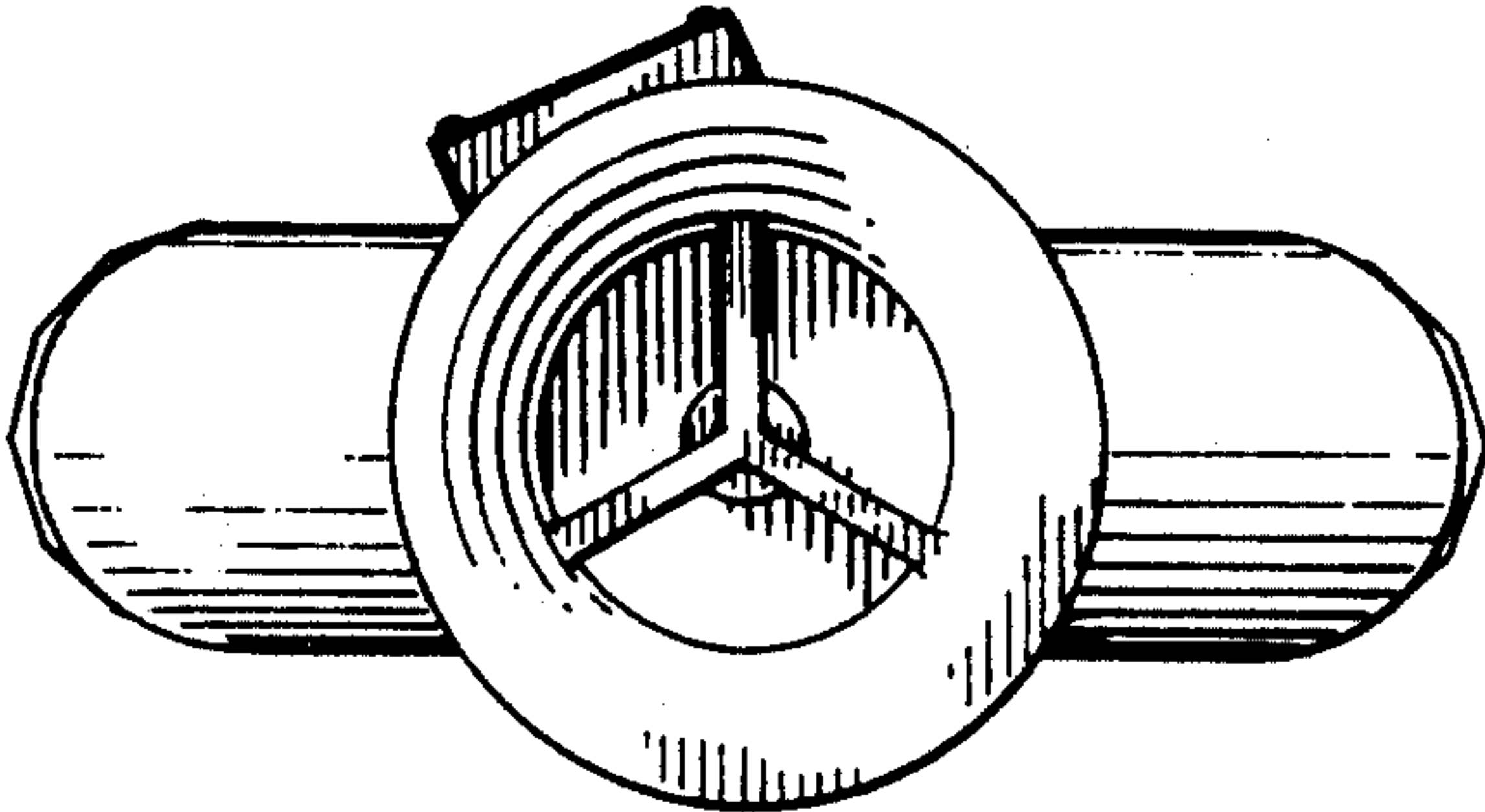


FIG. 4

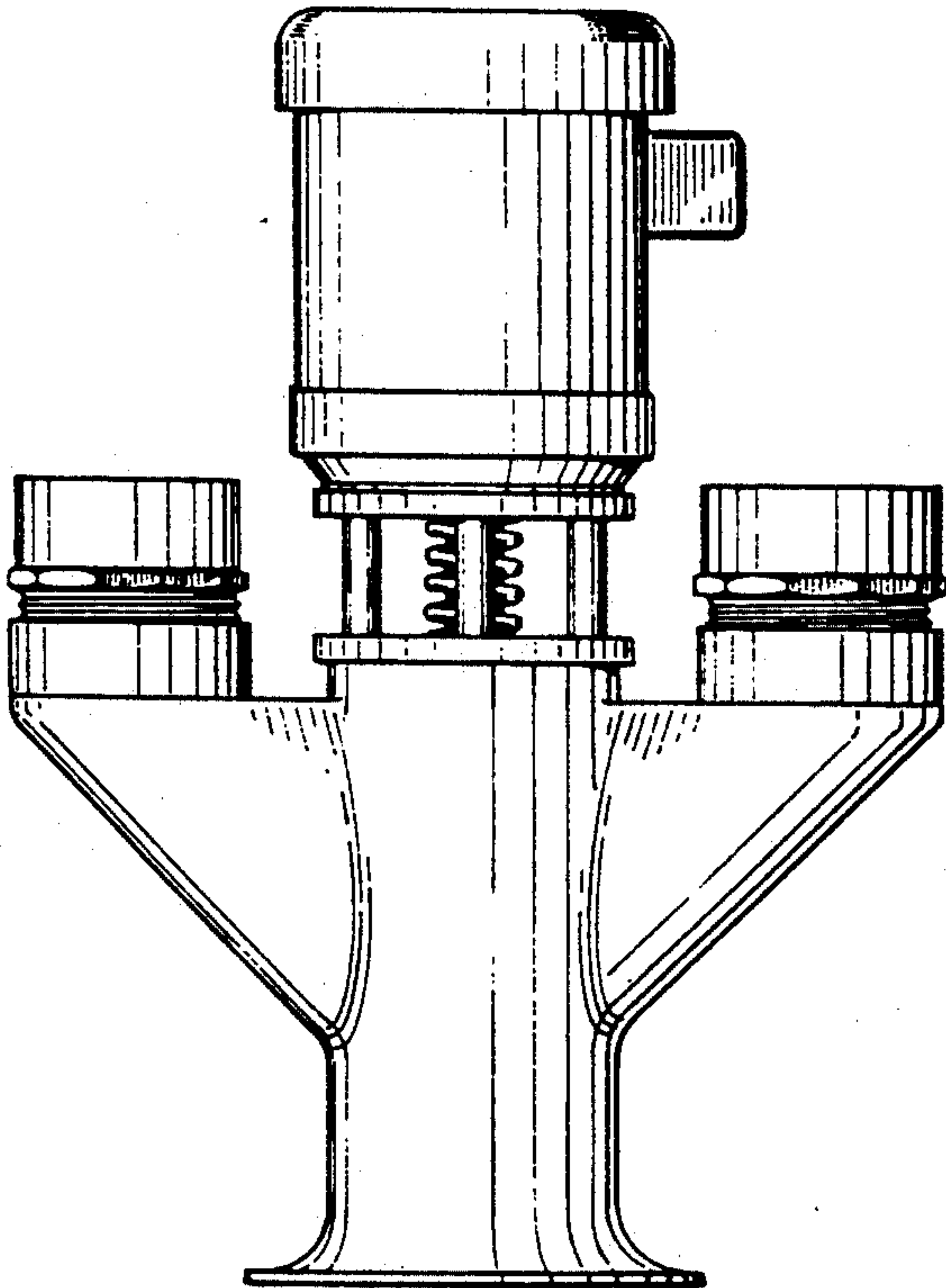


FIG. 5

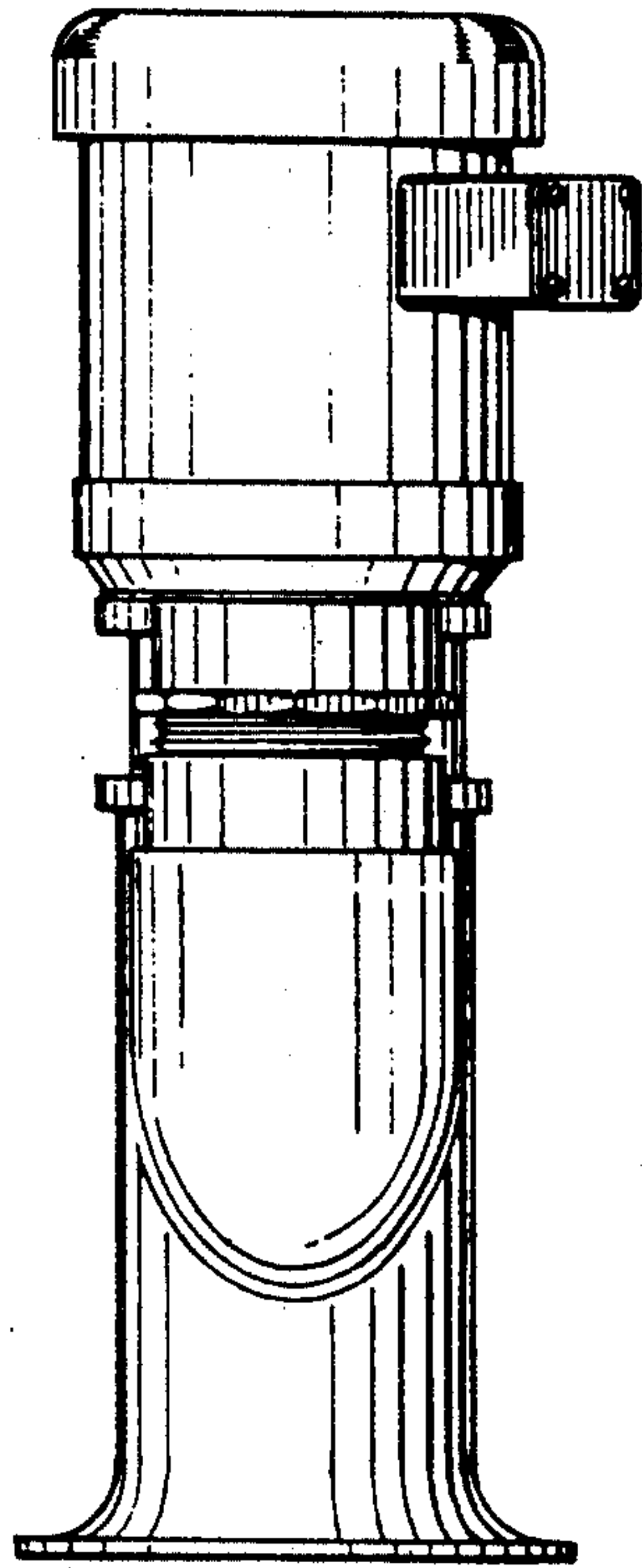


FIG. 6

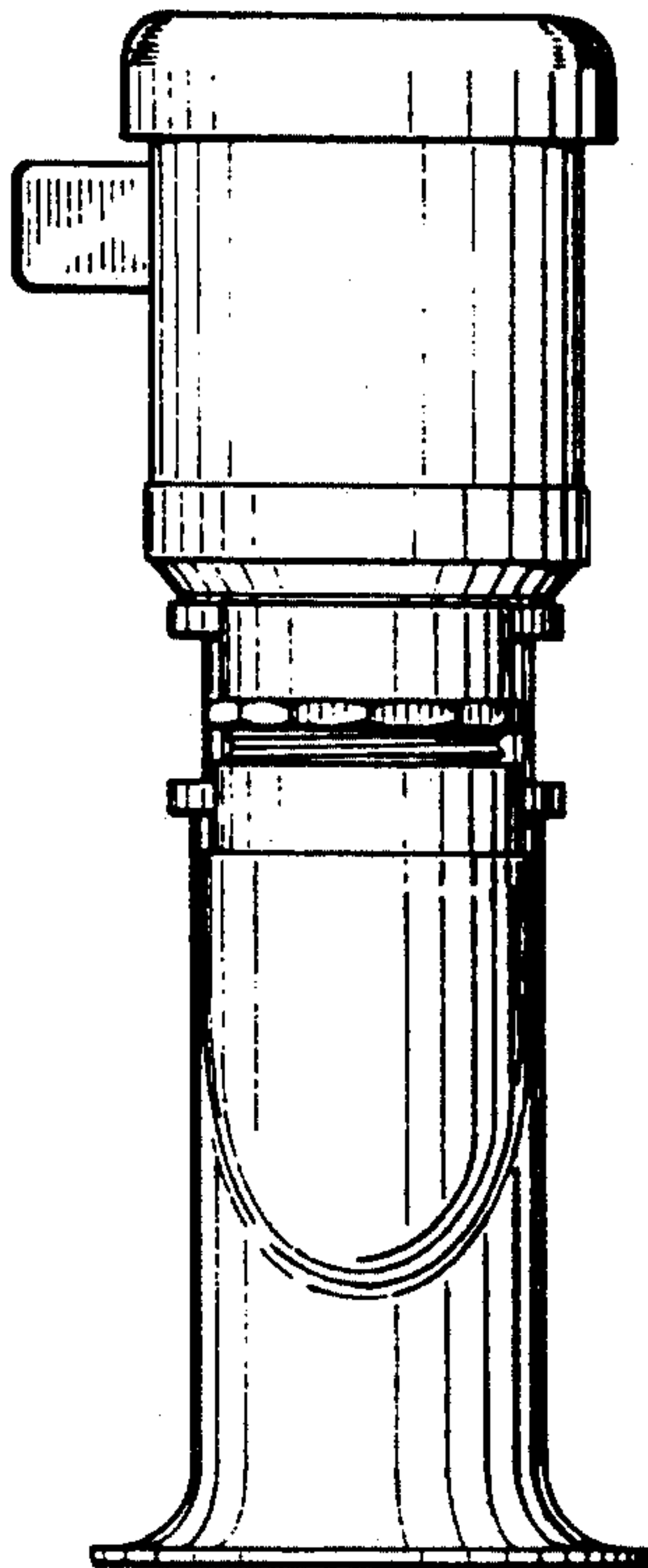


FIG. 7