



US00D339141S

# United States Patent [19]

Ghasemi

[11] Patent Number: **Des. 339,141**

[45] Date of Patent: **\*\* Sep. 7, 1993**

[54] **TELEPHONE HANDSET FILTER**

[76] Inventor: **Reza Ghasemi, 5500 Morro Way, #38, La Mesa, Calif. 91942**

[\*\*] Term: **14 Years**

[21] Appl. No.: **822,847**

[22] Filed: **Jan. 21, 1992**

[52] U.S. Cl. .... **D14/250**

[58] Field of Search ..... **D14/250, 249, 240, 140, D14/253; 379/447, 450, 451, 452, 442, 419**

2,985,724 5/1961 Sickelsmith et al. .... 379/450  
3,243,527 3/1966 Sternheim ..... 379/452  
4,058,690 11/1977 Serkez ..... 379/421

*Primary Examiner*—Alan P. Douglas  
*Assistant Examiner*—Jeffrey Asch  
*Attorney, Agent, or Firm*—Roy A. Ekstrand

[57] **CLAIM**

The ornamental design for a telephone handset filter, as shown and described.

**DESCRIPTION**

FIG. 1 is a perspective view of a telephone handset filter showing my new design, the fragmentary broken line showing of a telephone handset being for illustrative purposes only;

FIG. 2 is a top plan view thereof;

FIG. 3 is a bottom perspective view thereof;

FIG. 4 is a front view thereof, the rear view being the same; and,

FIG. 5 is a right side view thereof, the left side being the same.

[56] **References Cited**

**U.S. PATENT DOCUMENTS**

D. 181,927	1/1958	Gray	.....	D14/243
D. 214,322	6/1969	Velasquez	.....	D14/248
D. 283,128	3/1986	Bate	.....	D14/249
D. 291,306	8/1987	Espinosa	.....	D14/250
D. 307,753	5/1990	Oliver	.....	D14/249
D. 320,798	10/1991	Holt	.....	D14/248 X
D. 320,799	10/1991	Holt	.....	D14/249
2,700,075	1/1955	Korn	.....	D14/249 X

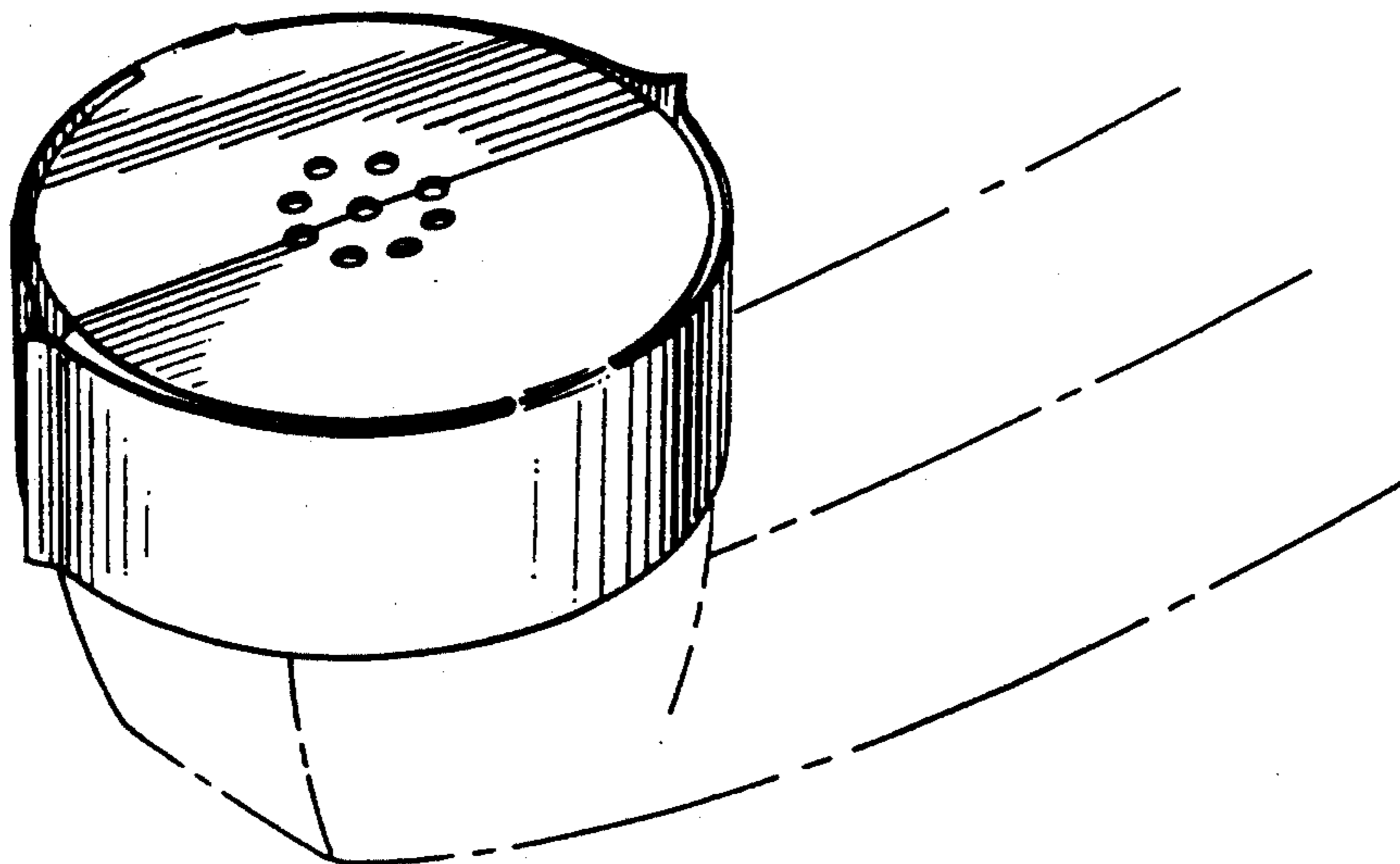


FIG. 1

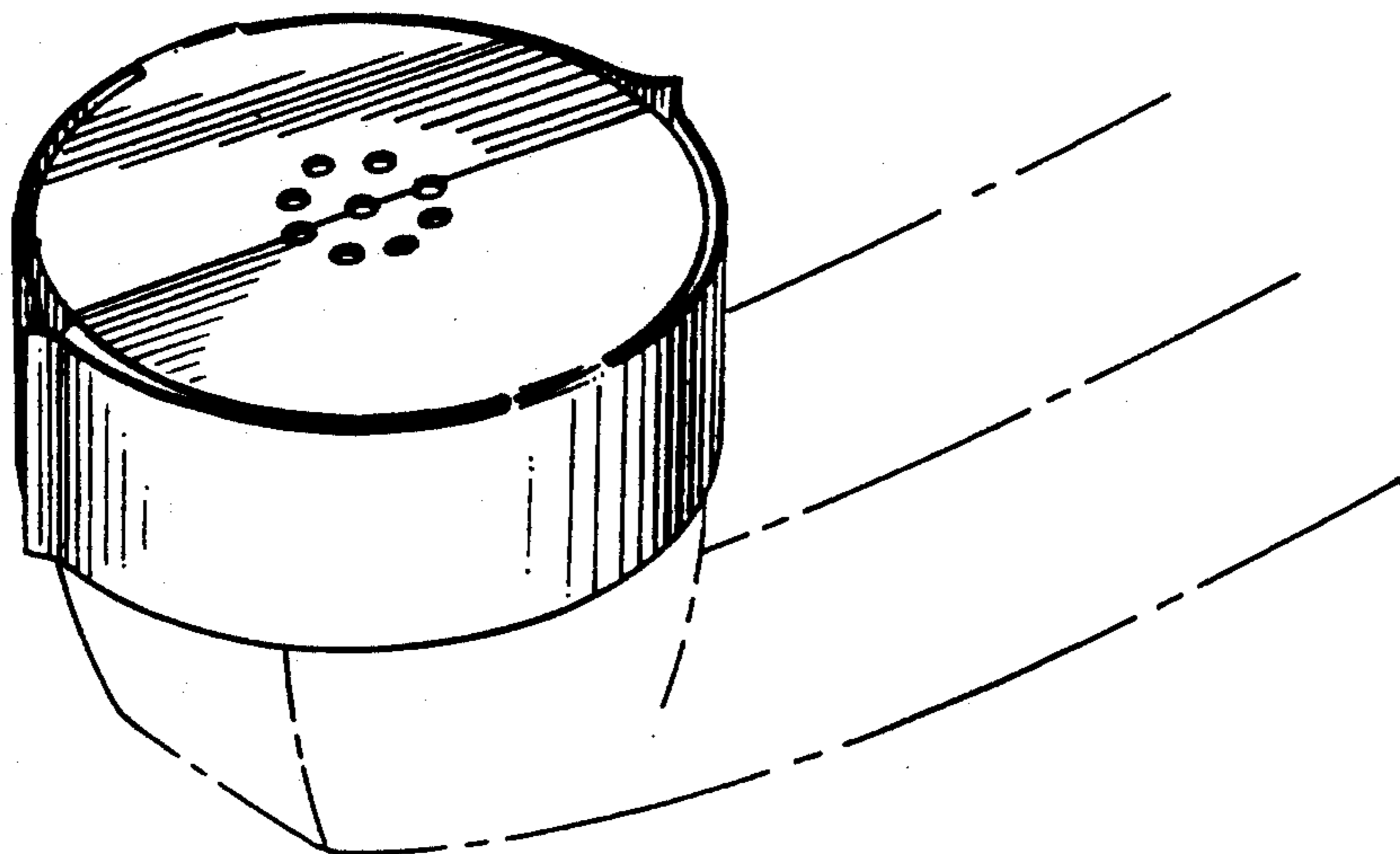


FIG. 2

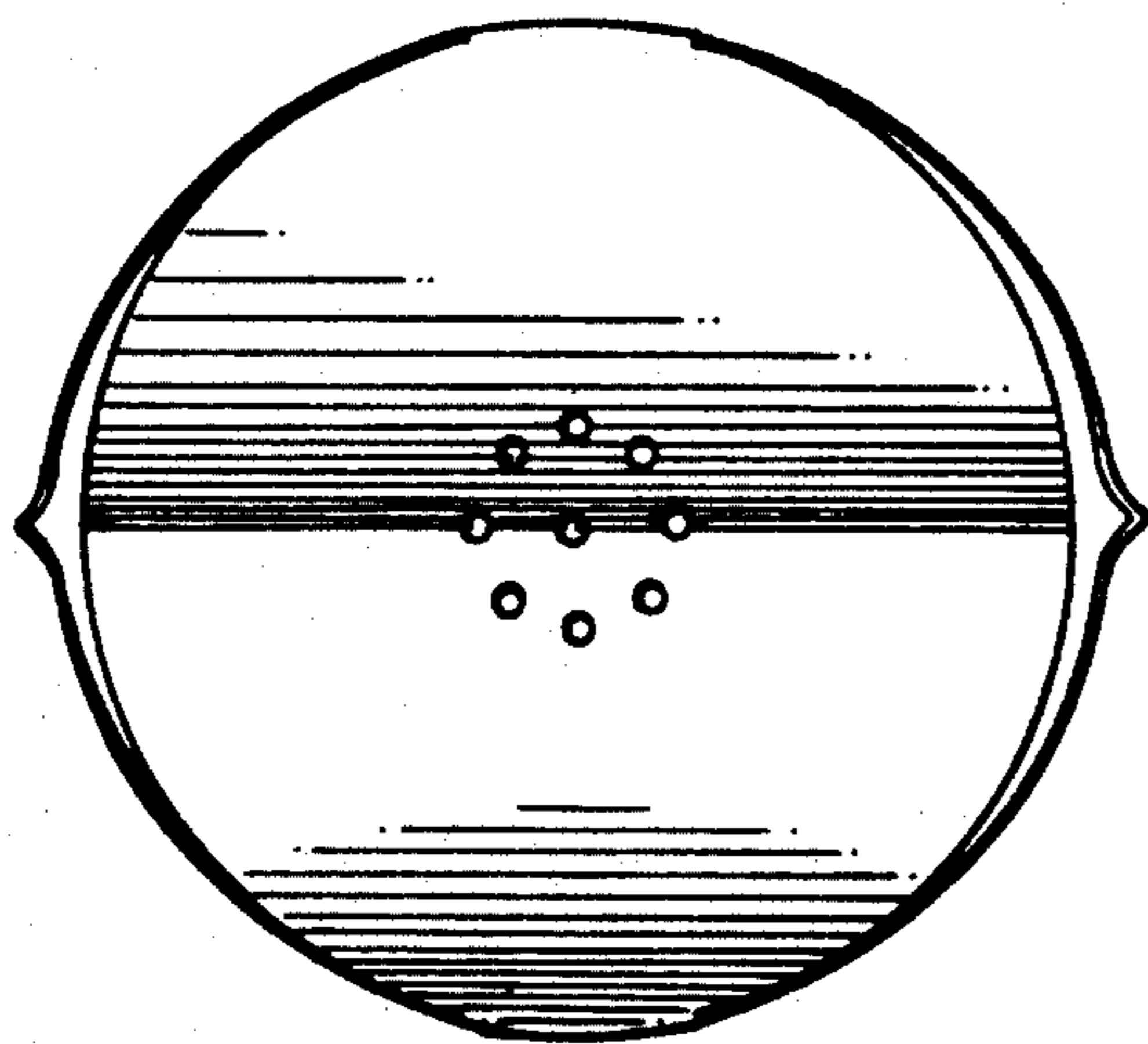


FIG. 3

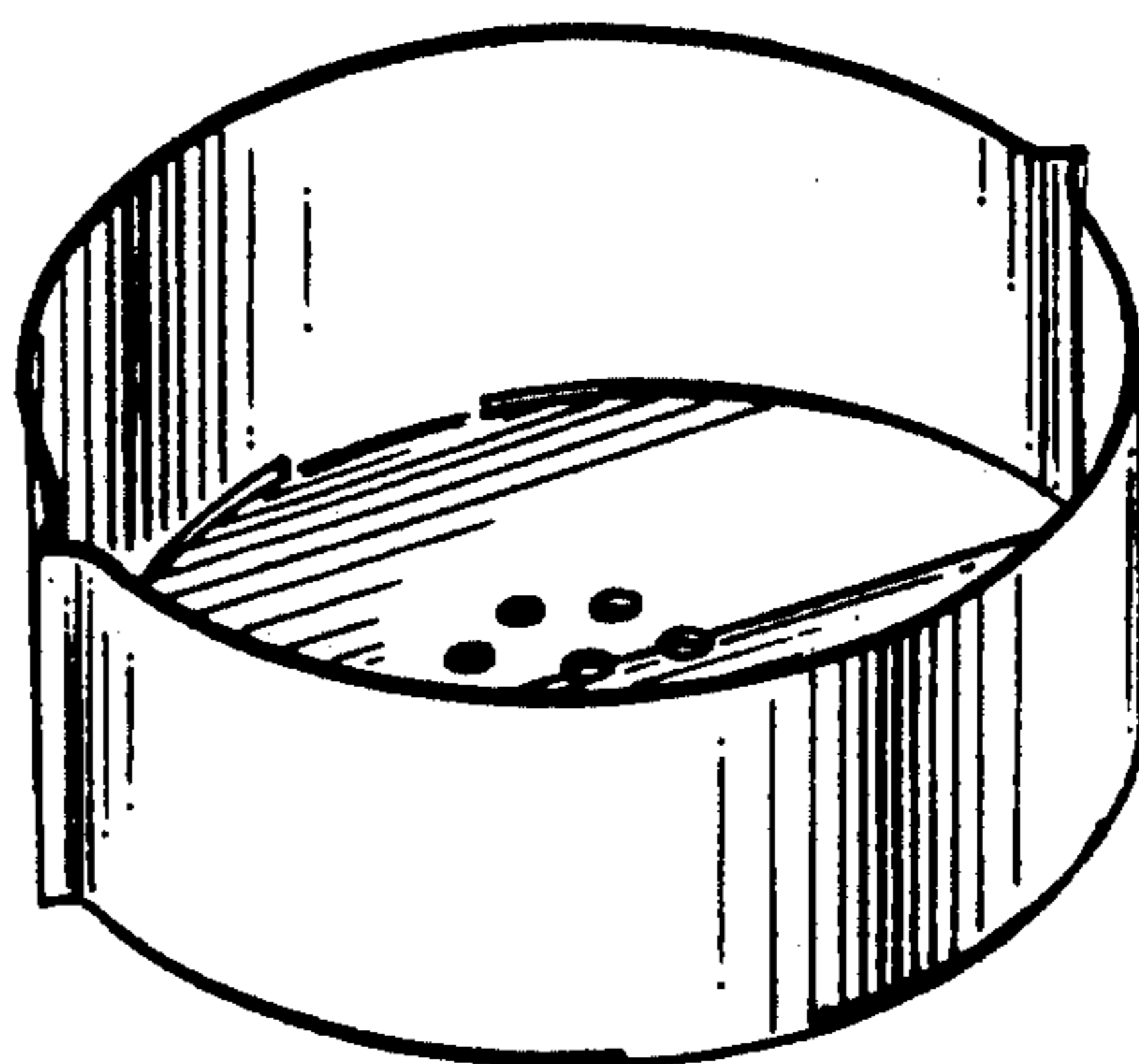


FIG. 4



FIG. 5

