



US00D339139S

# United States Patent [19]

[11] Patent Number: **Des. 339,139**

Jones et al.

[45] Date of Patent: **\*\* Sep. 7, 1993**

[54] **COMBINATION ELECTRONIC TELEPHONE DIRECTORY, TELEPHONE DIALER AND SCHEDULE ORGANIZER**

[75] Inventors: **Terrence K. Jones; Mark J. Stella,** both of Portland, Oreg.

[73] Assignee: **Oregon Scientific, Inc.,** Portland, Oreg.

[\*\*] Term: **14 Years**

[21] Appl. No.: **735,456**

[22] Filed: **Jul. 25, 1991**

[52] U.S. Cl. .... **D14/240; D14/106; D14/130; D14/245**

[58] Field of Search ..... **D14/140, 149, 129, 130, D14/106, 100, 240, 244, 245; 364/444, 449; 340/995, 996, 990; 379/441, 442, 456, 457**

[56] **References Cited**

**U.S. PATENT DOCUMENTS**

D. 239,838	5/1976	Crimmins .....	D14/149
D. 302,267	7/1989	Genaro et al. ....	D14/100 X
D. 309,304	7/1990	Takada et al. ....	D14/130 X
D. 315,557	3/1991	Grewe et al. ....	D14/130
D. 321,865	11/1991	Derocher .....	D14/100
D. 324,673	3/1992	Iino .....	D16/160
D. 324,674	3/1992	Iino .....	D14/106
D. 325,903	5/1992	Kimble .....	D14/106
D. 328,592	8/1992	Kajita .....	D14/106
D. 333,129	2/1993	Derocher .....	D14/106

D. 333,462 2/1993 Tyson ..... D14/106 X

*Primary Examiner*—Alan P. Douglas

*Assistant Examiner*—Jeffrey Asch

*Attorney, Agent, or Firm*—Chernoff, Vilhauer, McClung & Stenzel

[57] **CLAIM**

The ornamental design for a combination electronic telephone directory, telephone dialer and schedule organizer, as shown and described.

**DESCRIPTION**

FIG. 1 is a top perspective view of our new design for a combination electronic telephone directory, telephone dialer and schedule organizer, shown in the closed position for compact storage;

FIG. 2 is a top perspective view of the design shown in the open position, ready for use;

FIG. 3 is a front view of the design shown in the closed position;

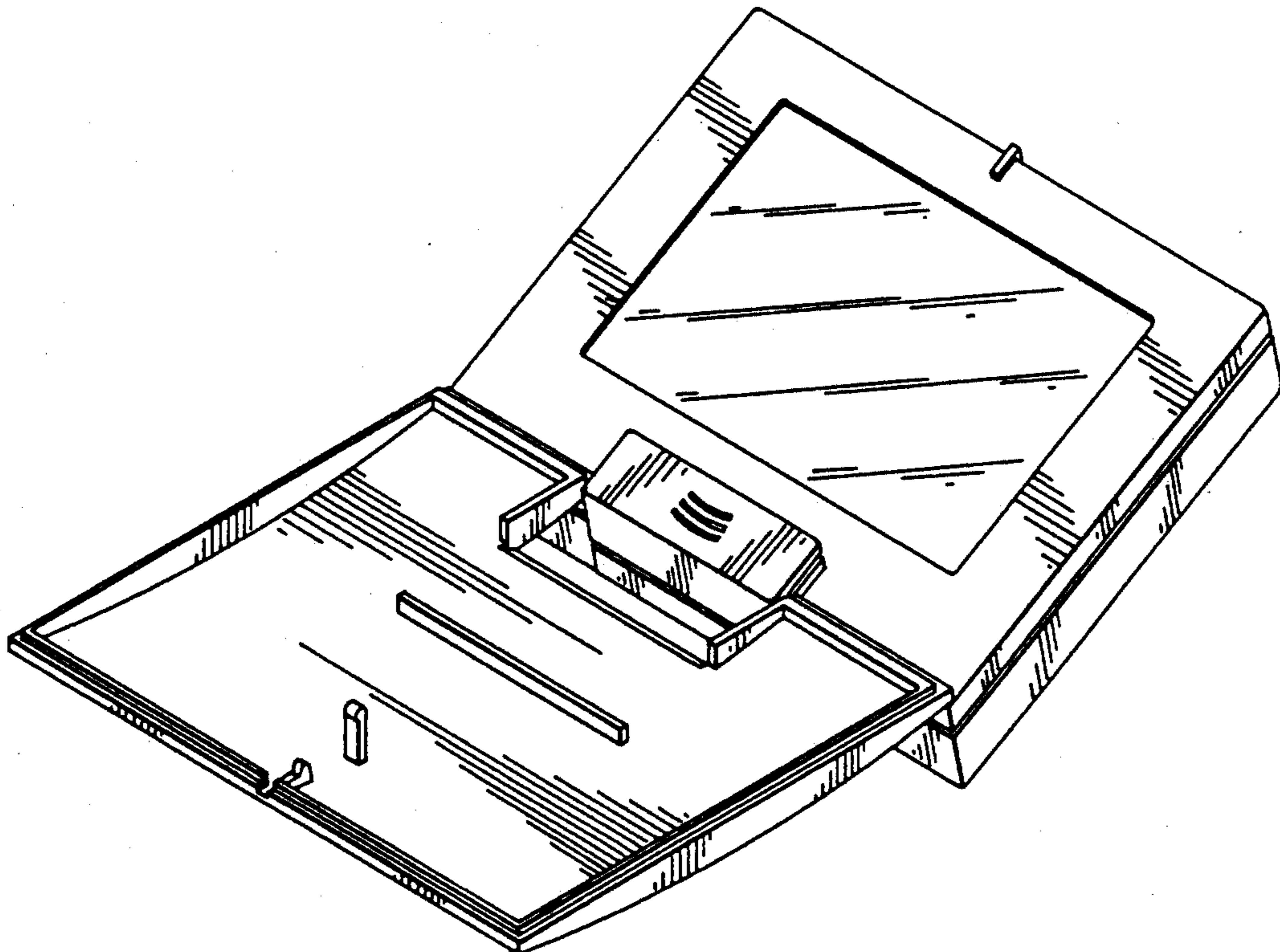
FIG. 4 is a right side view of the design shown in the closed position, the left side view being a mirror image thereof;

FIG. 5 is a top plan view of the design shown in the closed position;

FIG. 6 is a bottom view of the design shown in the closed position;

FIG. 7 is a rear view of the design shown in the closed position; and,

FIG. 8 is a top plan view of the design shown in an open, flattened-down position.



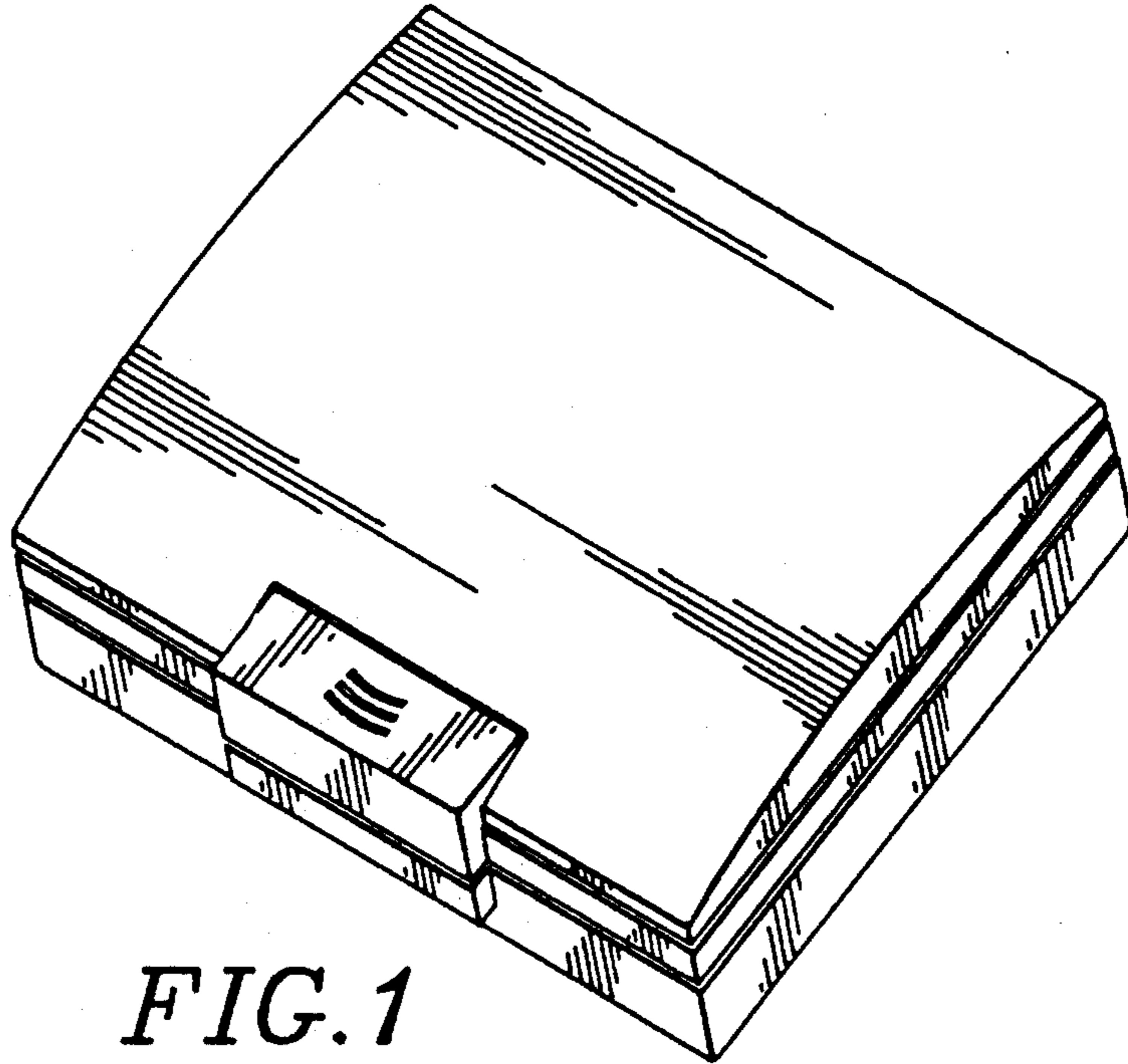


FIG. 1

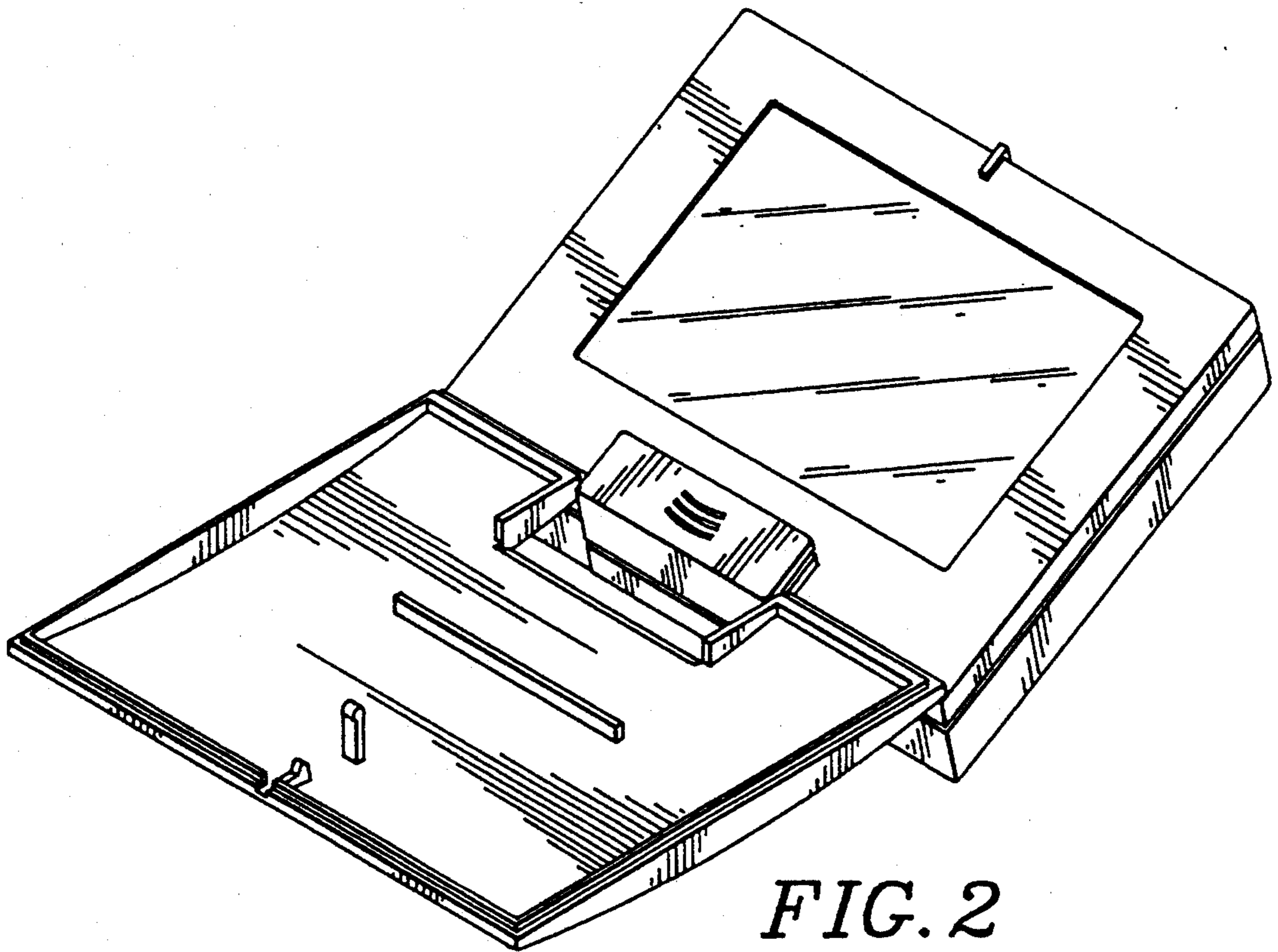
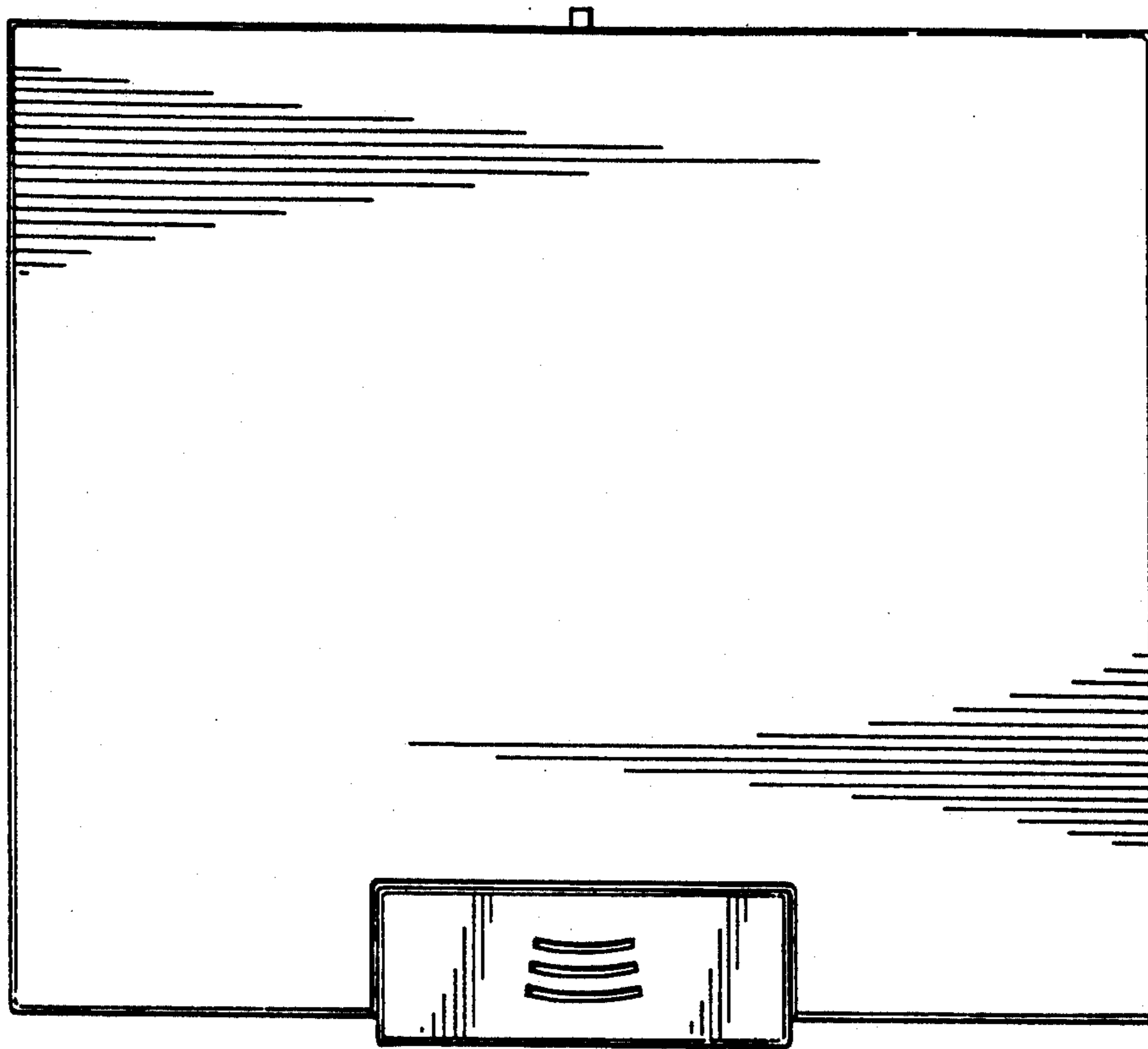
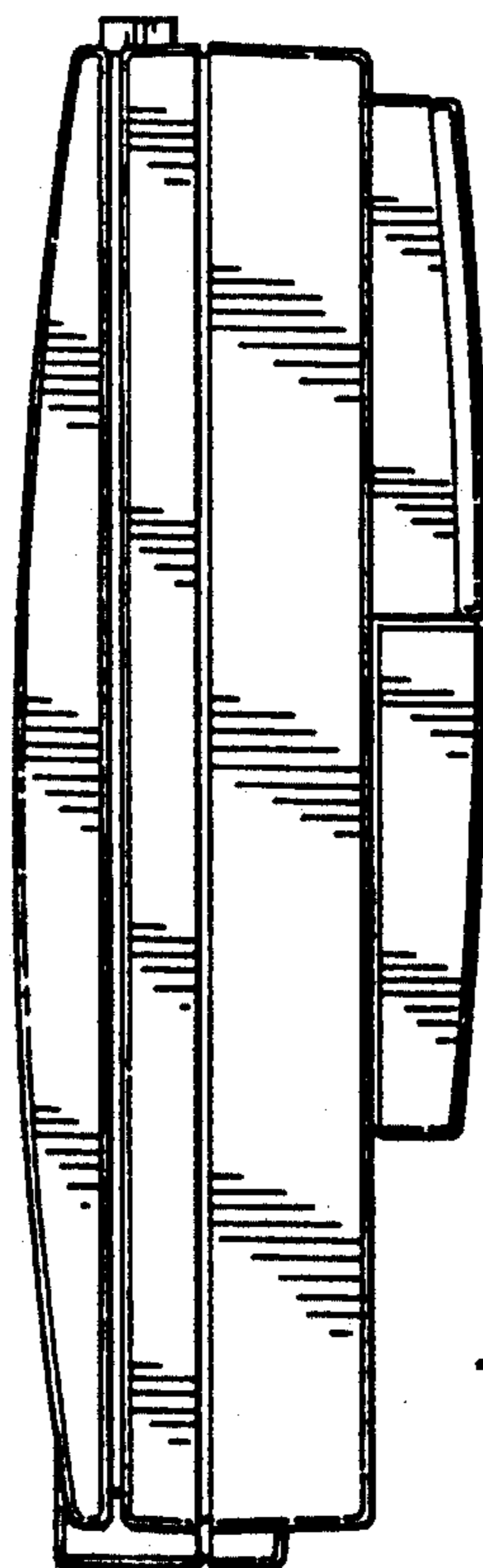


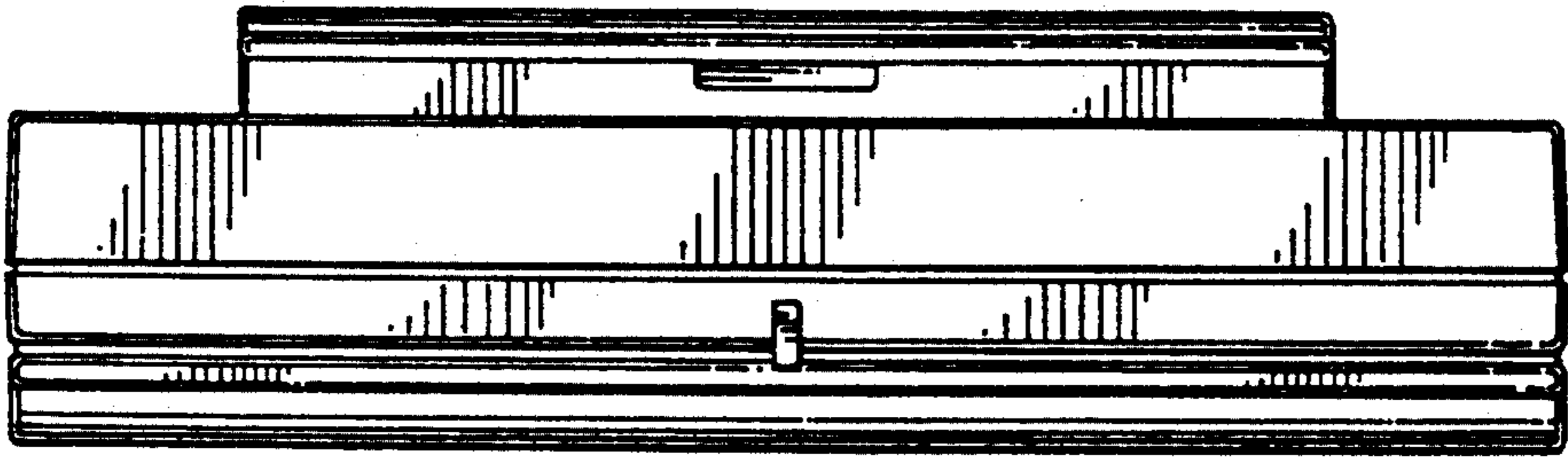
FIG. 2



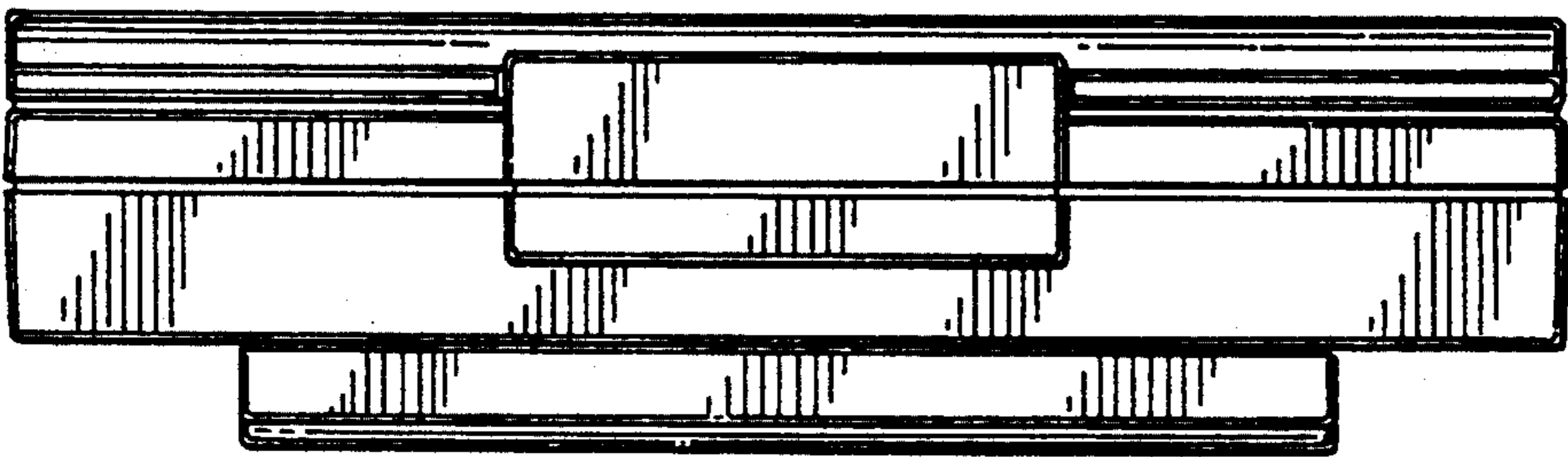
*FIG. 3*



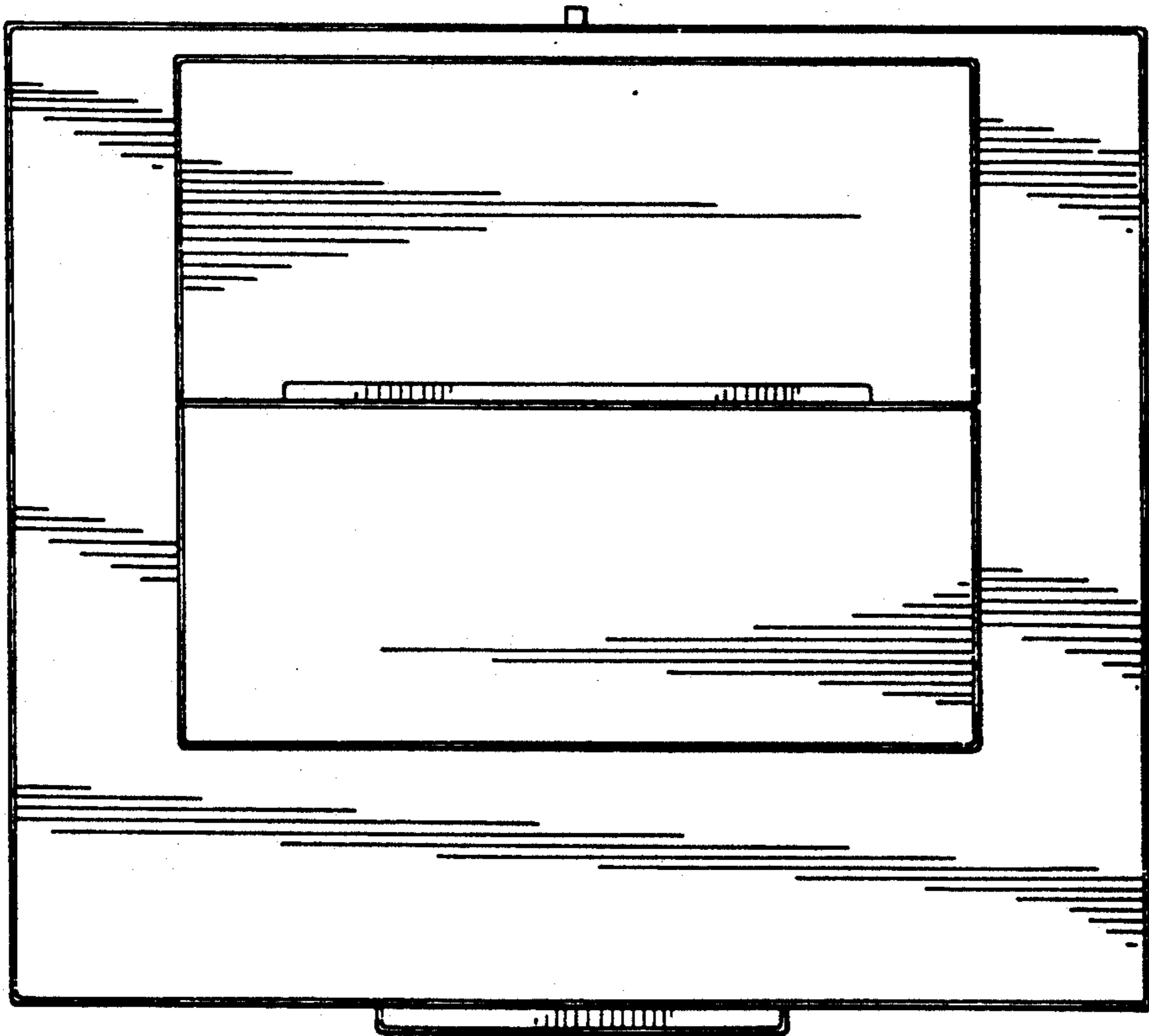
*FIG. 4*



*FIG. 5*



*FIG. 6*



*FIG. 7*

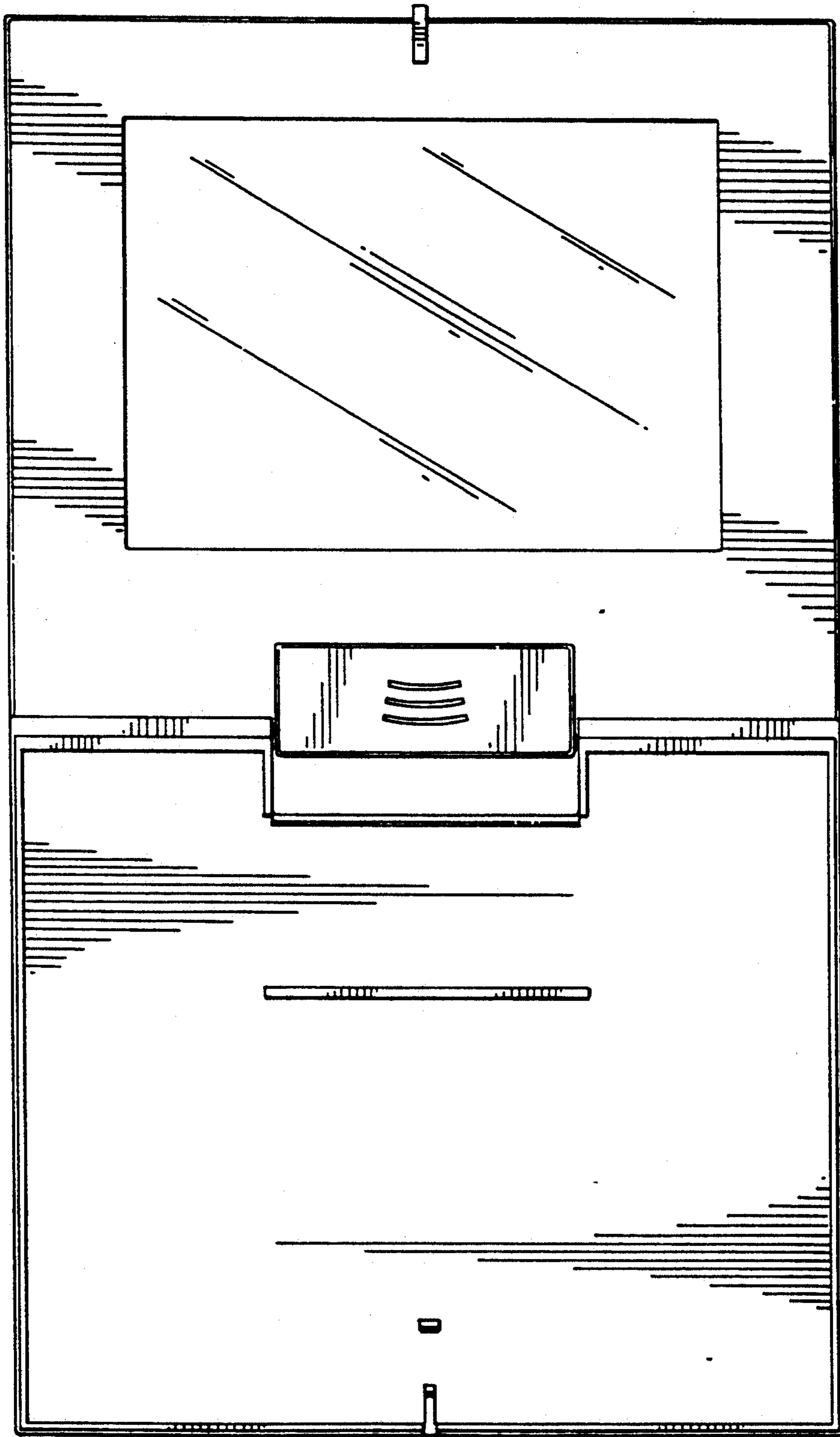


FIG. 8