



US00D339117S

United States Patent [19]

[11] Patent Number: **Des. 339,117**

Yang

[45] Date of Patent: **** Sep. 7, 1993**

[54] **COPYHOLDER FOR ATTACHMENT TO A COMPUTER KEYBOARD**

[76] Inventor: **Yeong-San Yang, No. 1, Alley 9, Lane 292, Sec 1, Min Shen N, RD., Kuei Shan Hsiang Tao-Yuan, Taiwan**

[**] Term: **14 Years**

[21] Appl. No.: **854,965**

[22] Filed: **Mar. 20, 1992**

[52] U.S. Cl. **D14/114; D19/90; D19/91; D19/89**

[58] Field of Search **D20/10, 43; D14/114, D14/115; D19/52, 65, 75, 86, 88, 89, 90, 91, 99, 100; 40/341-347, 352; 226/89; 248/441.1, 442.2, 447.1, 458**

[56] **References Cited**

U.S. PATENT DOCUMENTS

- D. 158,815 5/1950 Taylor D19/89
- 229,453 6/1880 Patterson 40/347
- D. 251,792 5/1979 Moody et al. D19/89 X
- D. 262,547 1/1982 Bryan D19/89 X

- D. 276,244 11/1984 Abseck D19/91
- D. 319,076 8/1991 Smith D19/91
- 2,530,702 11/1950 Johnson 40/343
- 3,748,023 7/1973 Nelson 40/343
- 3,983,651 10/1976 Dickey 40/343
- 4,136,472 1/1979 Delvo 40/347 X
- 4,317,565 3/1982 Swette 40/343

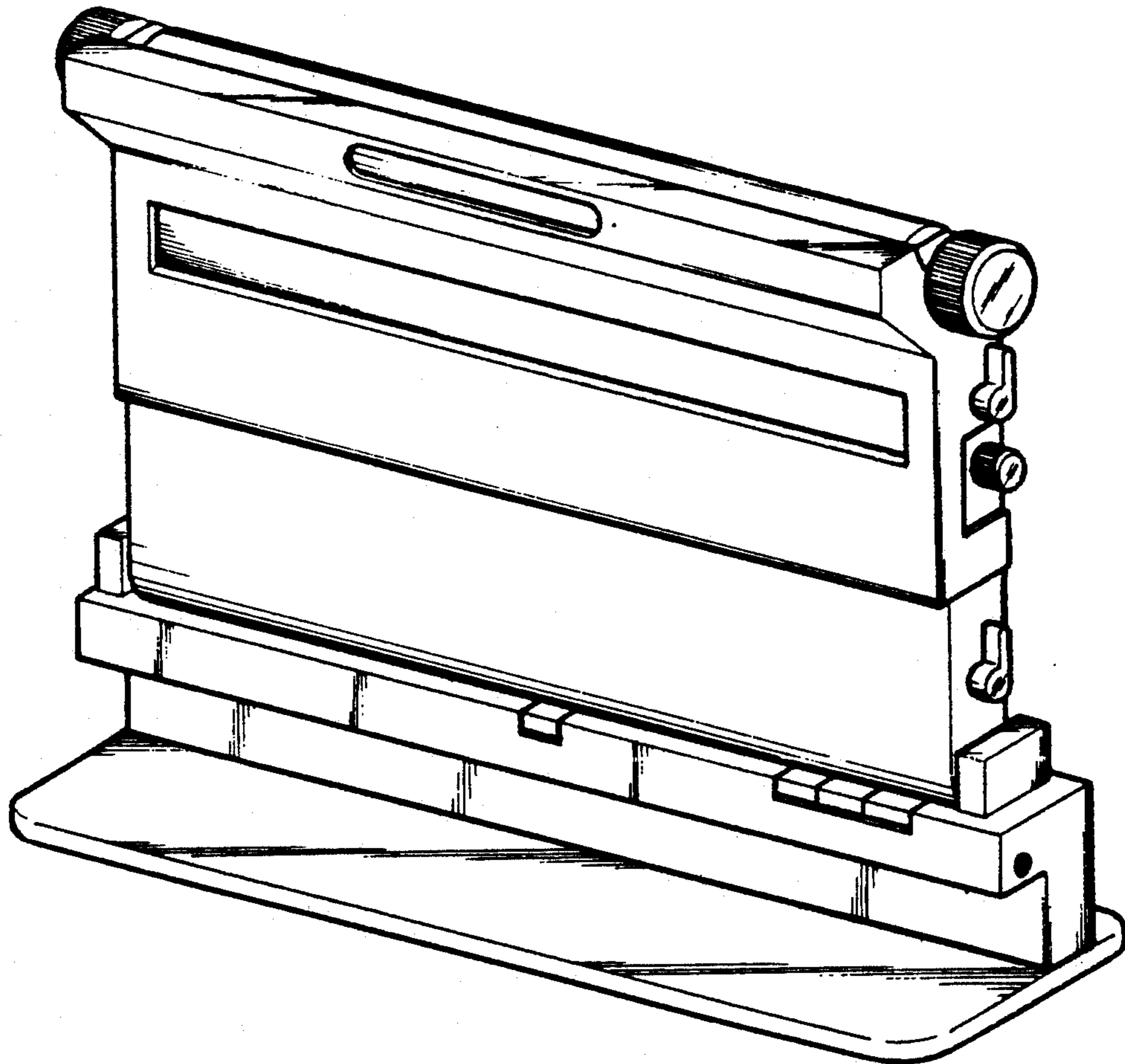
Primary Examiner—Nelson C. Holtje
Assistant Examiner—Martha Thompson
Attorney, Agent, or Firm—Yuso International Patent and Trademark Office

[57] **CLAIM**

The ornamental design for a copyholder for attachment to a computer keyboard, as shown and described.

DESCRIPTION

FIG. 1 is a top, right front perspective view of a copyholder for attachment to a computer keyboard showing my new design;
FIG. 2 is a front elevational view thereof;
FIG. 3 is a rear elevational view thereof;
FIG. 4 is a left side elevational view thereof;
FIG. 5 is a right side elevational view thereof;
FIG. 6 is a top plan view; and,
FIG. 7 is a bottom plan view thereof.



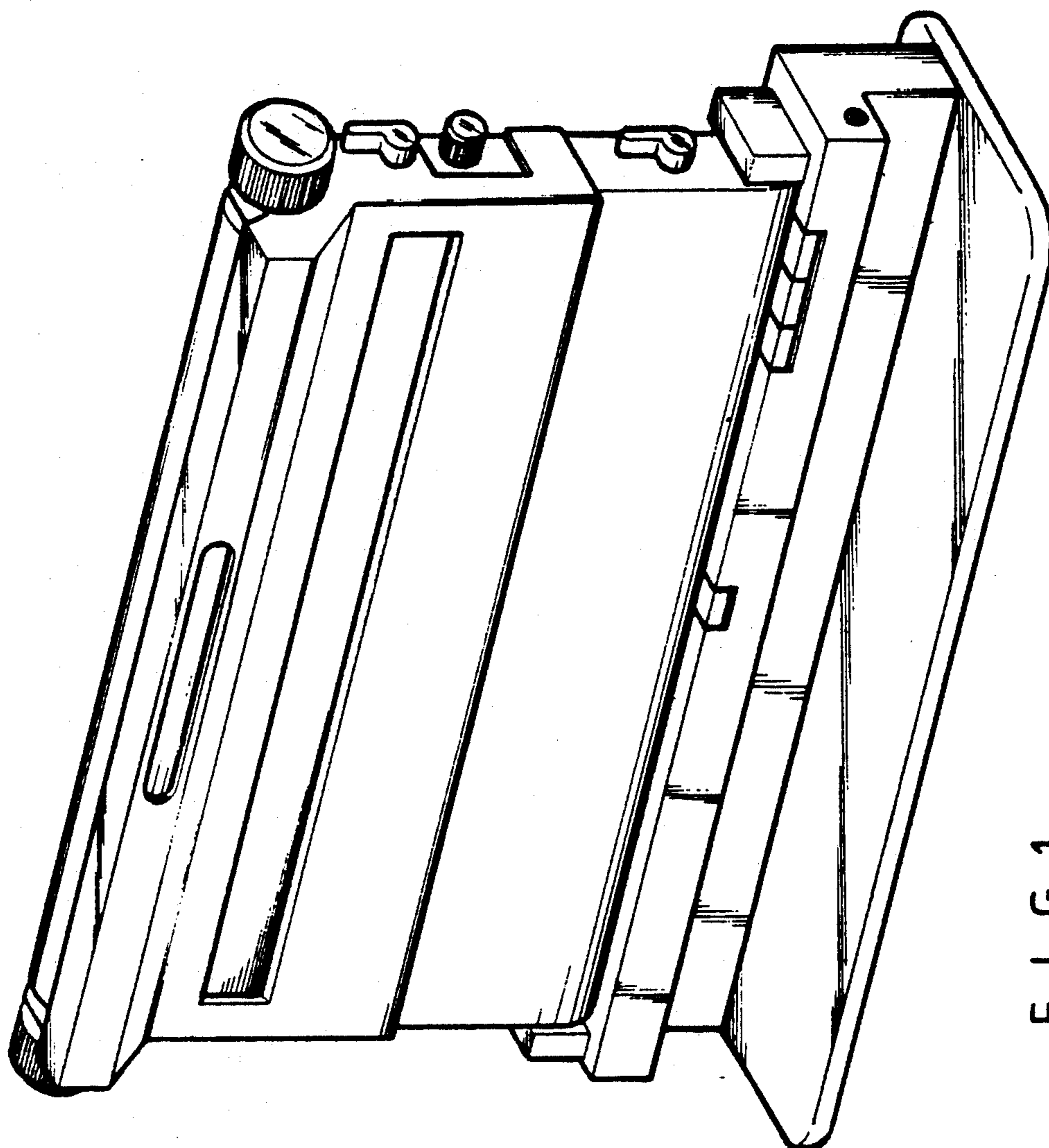


FIG. 1



FIG. 2

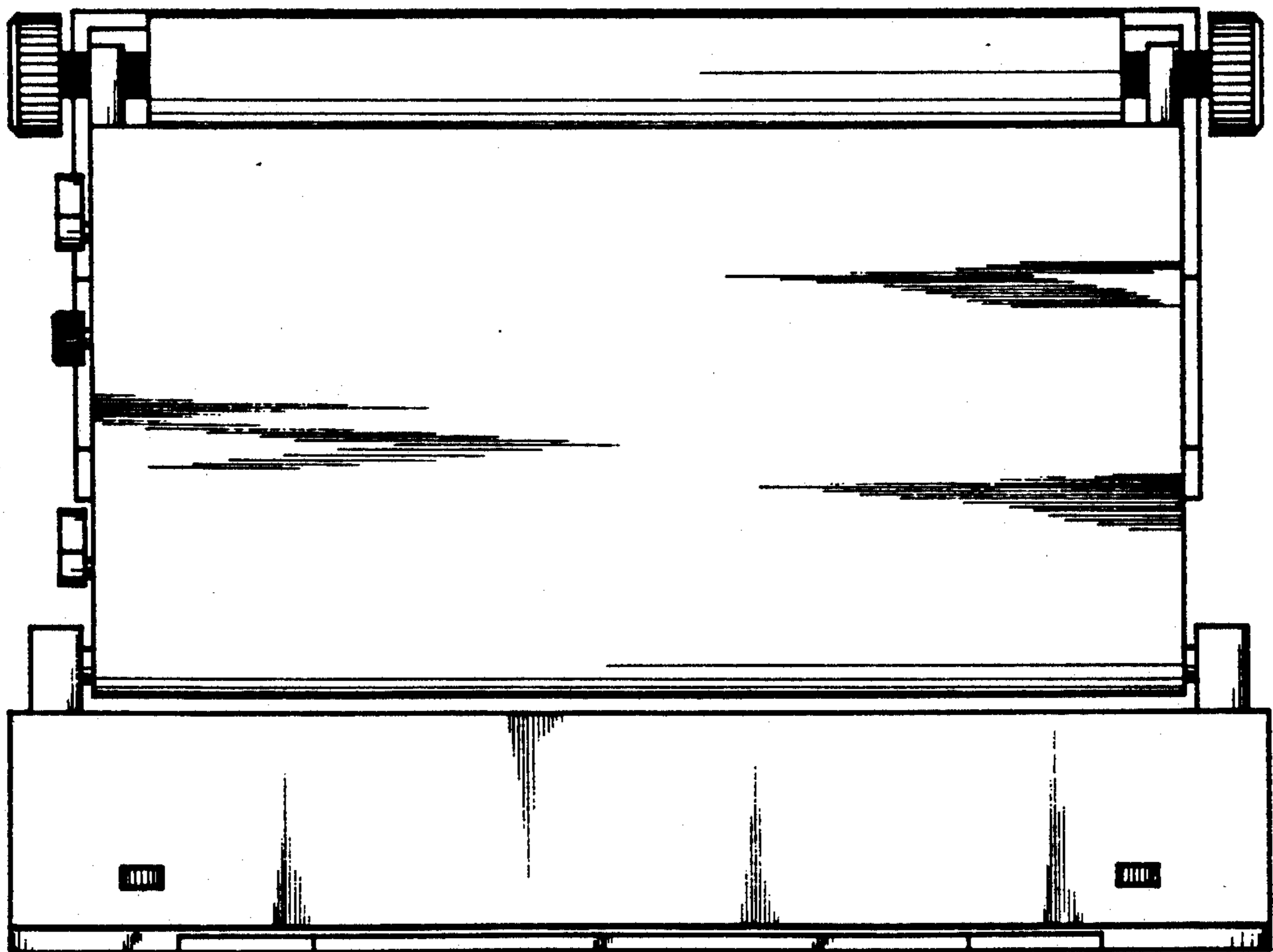


FIG. 3

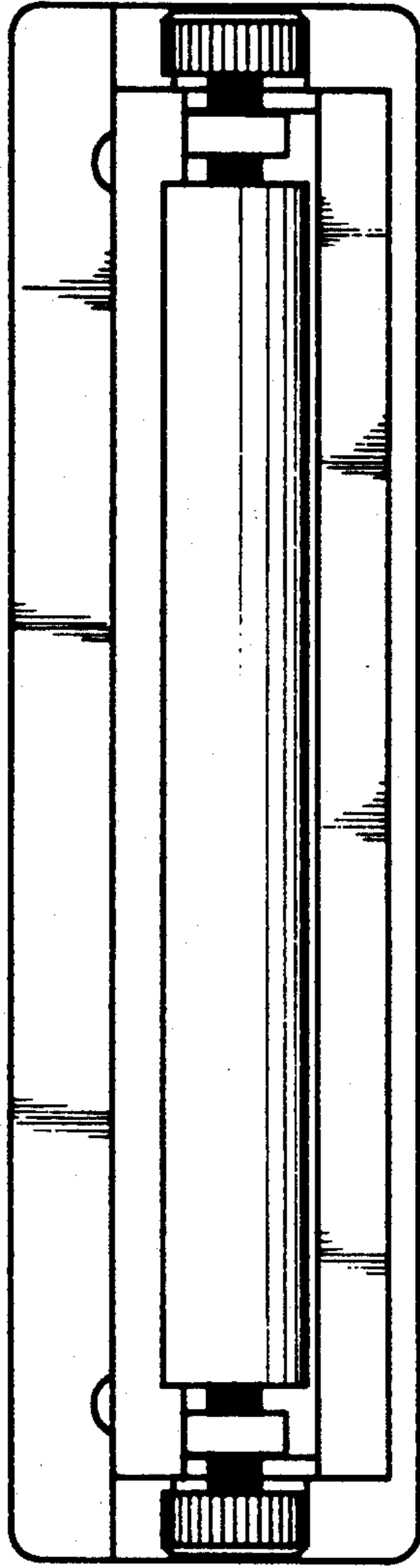


FIG. 6

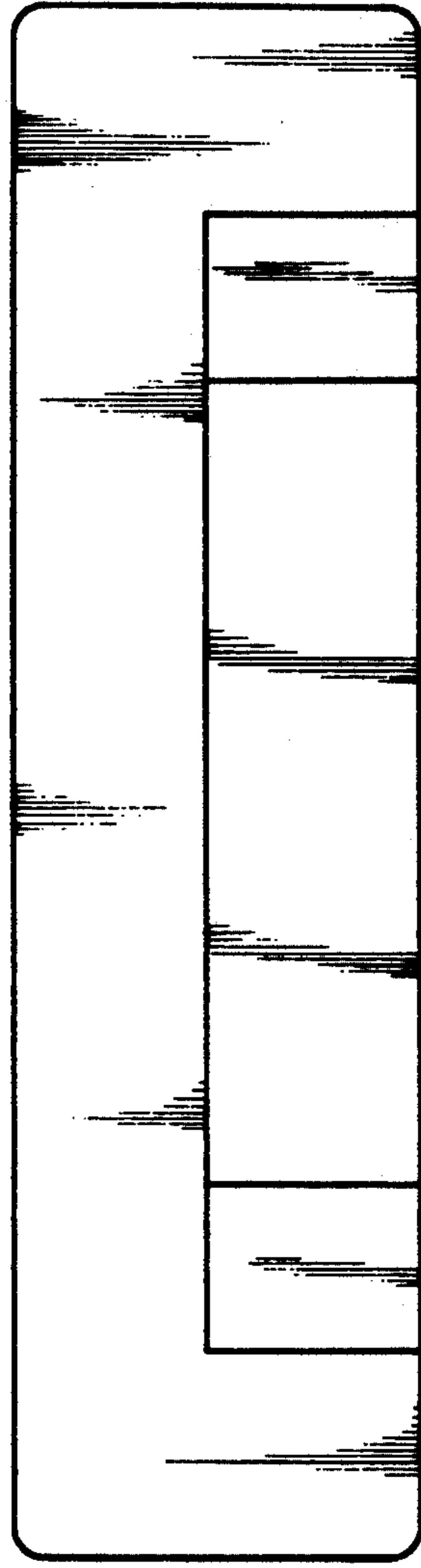


FIG. 7

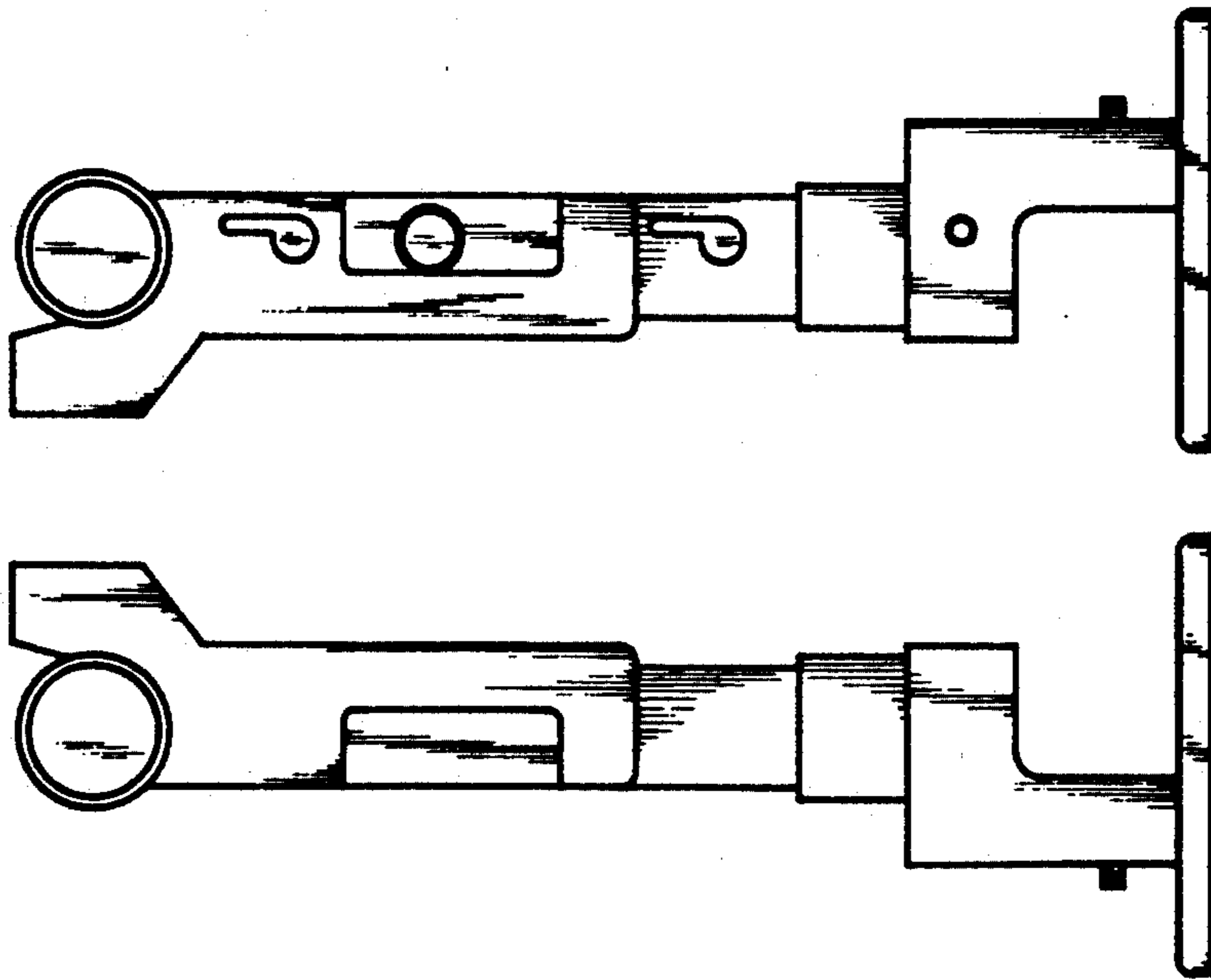


FIG. 5

FIG. 4