



US00D339109S

United States Patent [19]

[11] Patent Number: **Des. 339,109**

Thomas

[45] Date of Patent: **** Sep. 7, 1993**

[54] **COMBINED 5-SLOT PROGRAMMABLE CONTROLLER BASE AND CENTRAL PROCESSING UNIT**

[75] Inventor: **Sherman G. Thomas, Earlsyville, Va.**

[73] Assignee: **GE Fanuc Automation North America, Inc., Charlottesville, Va.**

[**] Term: **14 Years**

[21] Appl. No.: **639,999**

[22] Filed: **Jan. 11, 1991**

[52] U.S. Cl. **D13/173; D13/162**

[58] Field of Search **D13/123, 162, 164, 184, D13/173; 361/380, 383, 391, 392, 393, 394, 395, 399, 415; 248/27.3**

[56] **References Cited**

U.S. PATENT DOCUMENTS

- D. 300,426 3/1989 Lotz D13/184 X
- D. 306,429 3/1990 Hiatt et al. D13/184
- D. 325,900 5/1992 Shimizu et al. D13/162
- 4,152,750 5/1979 Bremenour et al. 361/383
- 4,991,056 2/1991 Shimizu et al. 361/380

FOREIGN PATENT DOCUMENTS

- 3041725 5/1982 Fed. Rep. of Germany 248/27.3

OTHER PUBLICATIONS

Programmable controller base in Koyo Electronics Industries brochure No. 0770-1-1DG, Jul. 1988.

Programmable controller base on p. 307 of *Elektrotechnische Zeitschrift*, Feb. 1989.

Programmable controller base on p. 74 of *Control Engineering*, Jul. 1989.

Programmable controller base on p. 11 of *Control Engineering*, Oct. 1989.

Primary Examiner—Wallace R. Burke

Assistant Examiner—Joel Sincavage

Attorney, Agent, or Firm—James H. Beusse

[57] **CLAIM**

The ornamental design for a combined 5-slot programmable controller base and central processing unit, as shown and described.

DESCRIPTION

FIG. 1 is a front elevational view of a combined 5-slot programmable controller base and central processing unit showing my new design. The broken line showing of the conventional multi-pin connectors is included for the purpose of illustrating environmental elements only and forms no part of the claimed design;

FIG. 2 is a rear elevational view thereof;

FIG. 3 is a bottom plan view thereof;

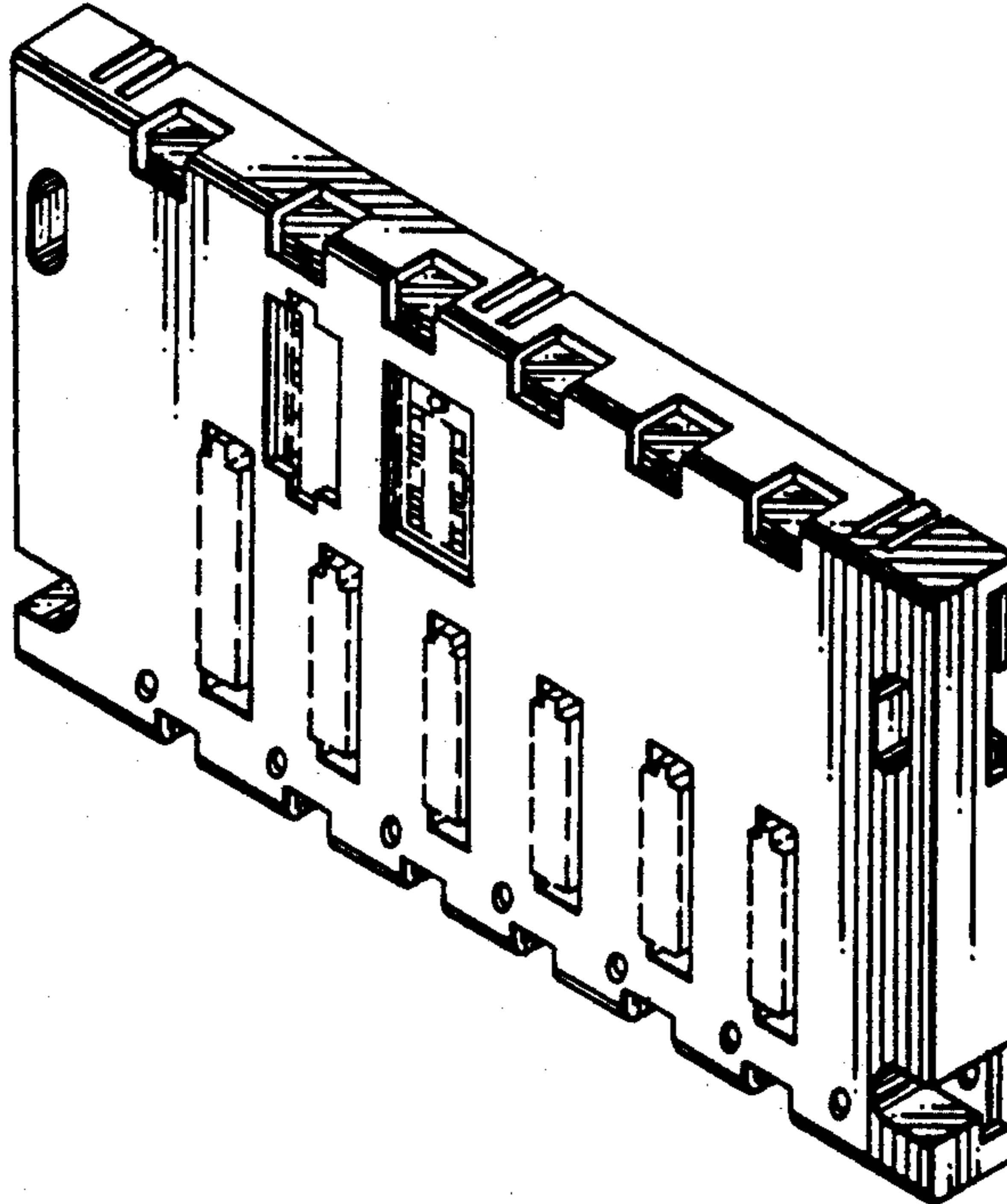
FIG. 4 is a top plan view thereof;

FIG. 5 is a left side elevational view thereof;

FIG. 6 is a right side elevational view thereof;

FIG. 7 is a front and upper right perspective view thereof; and,

FIG. 8 is a rear and lower left perspective view thereof.



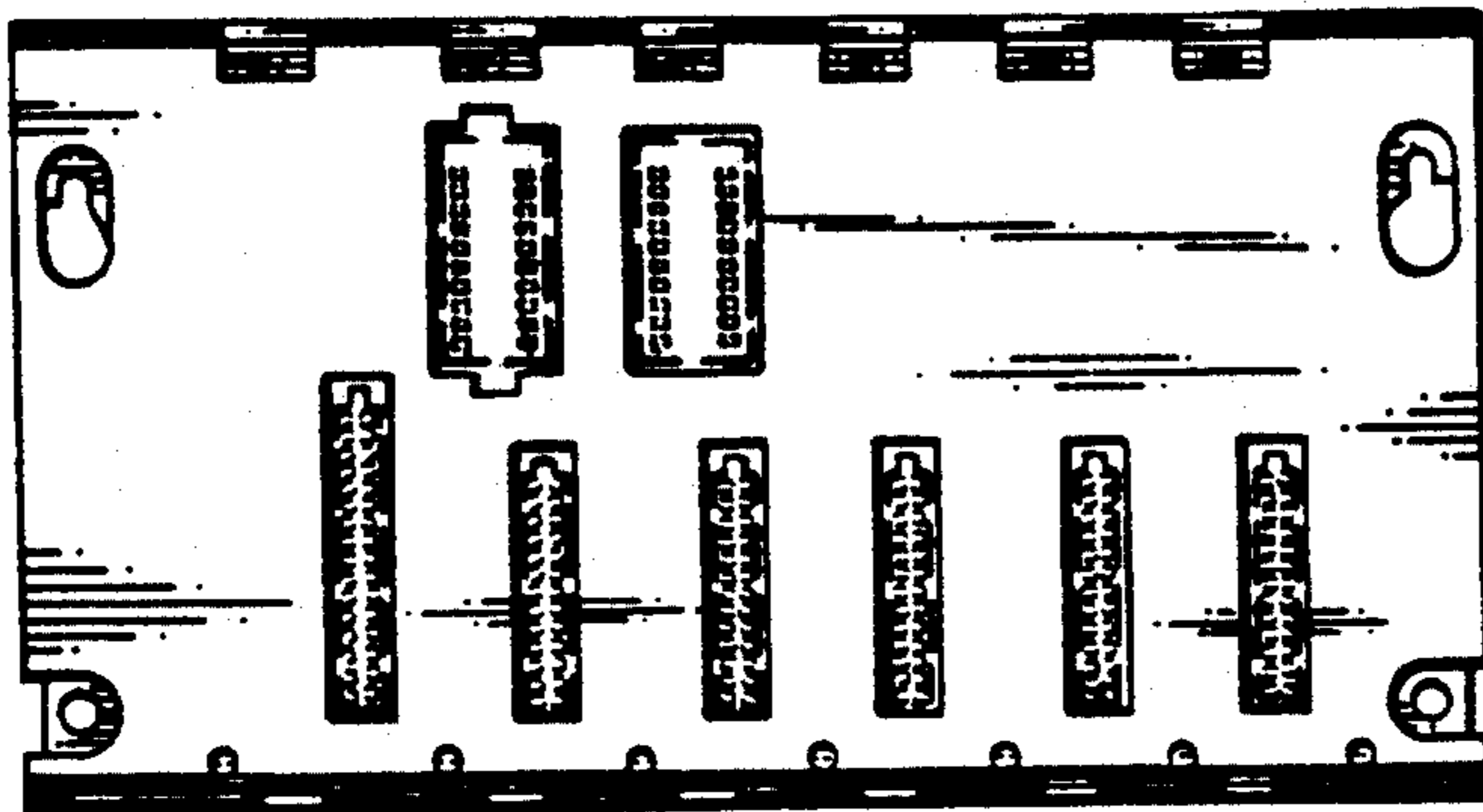


FIG. 1

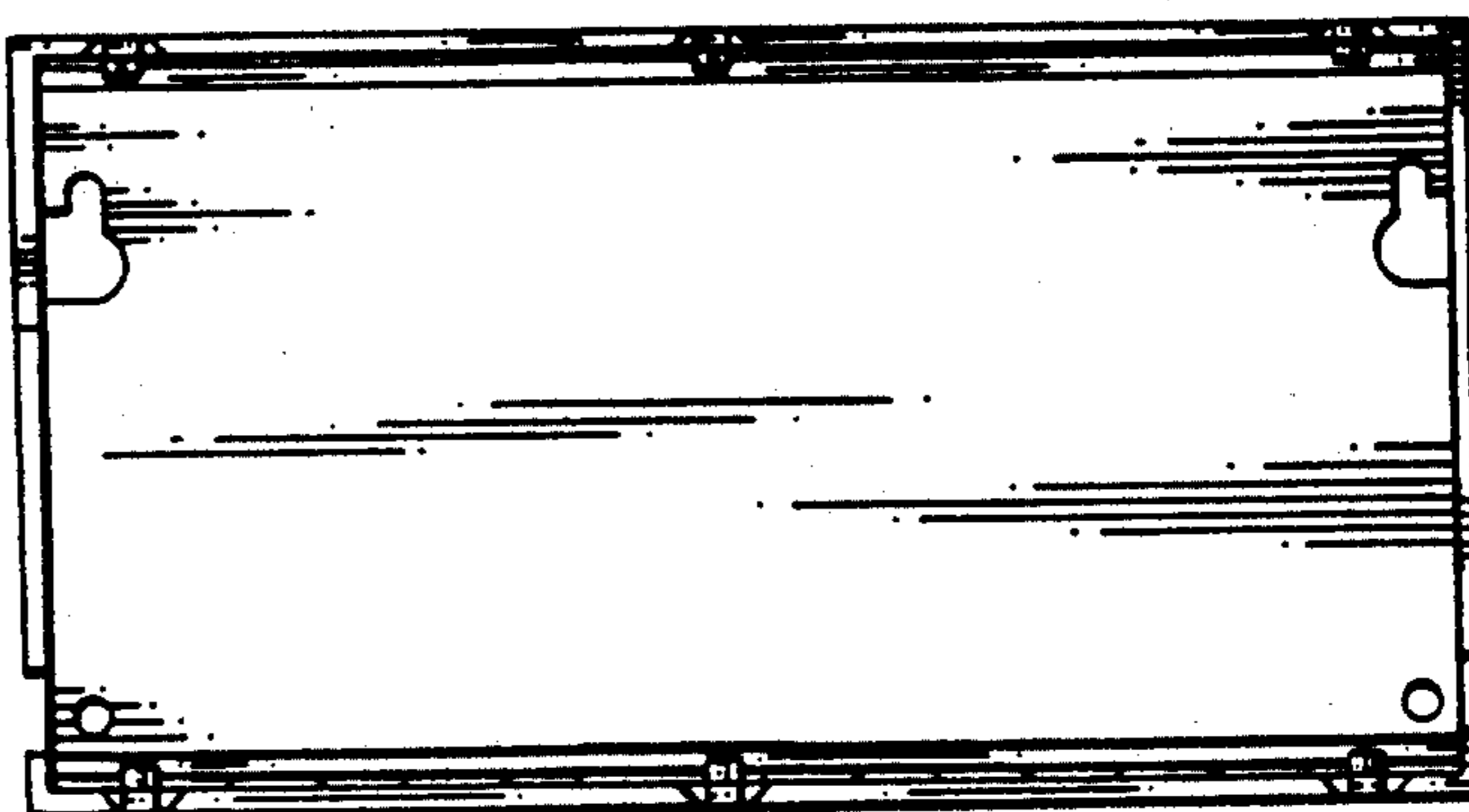


FIG. 2



FIG. 3



FIG. 4



FIG. 5



FIG. 6

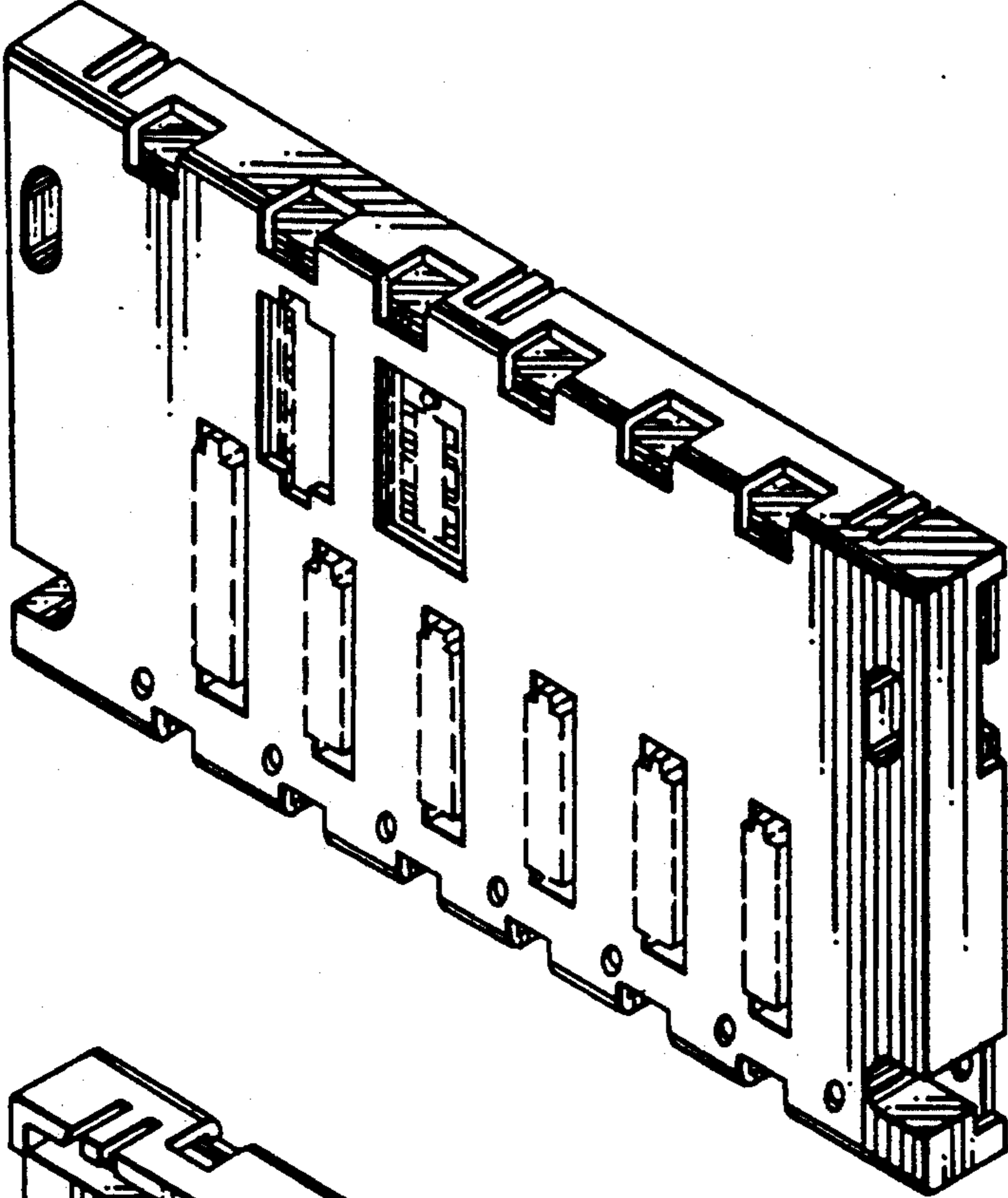


FIG. 7

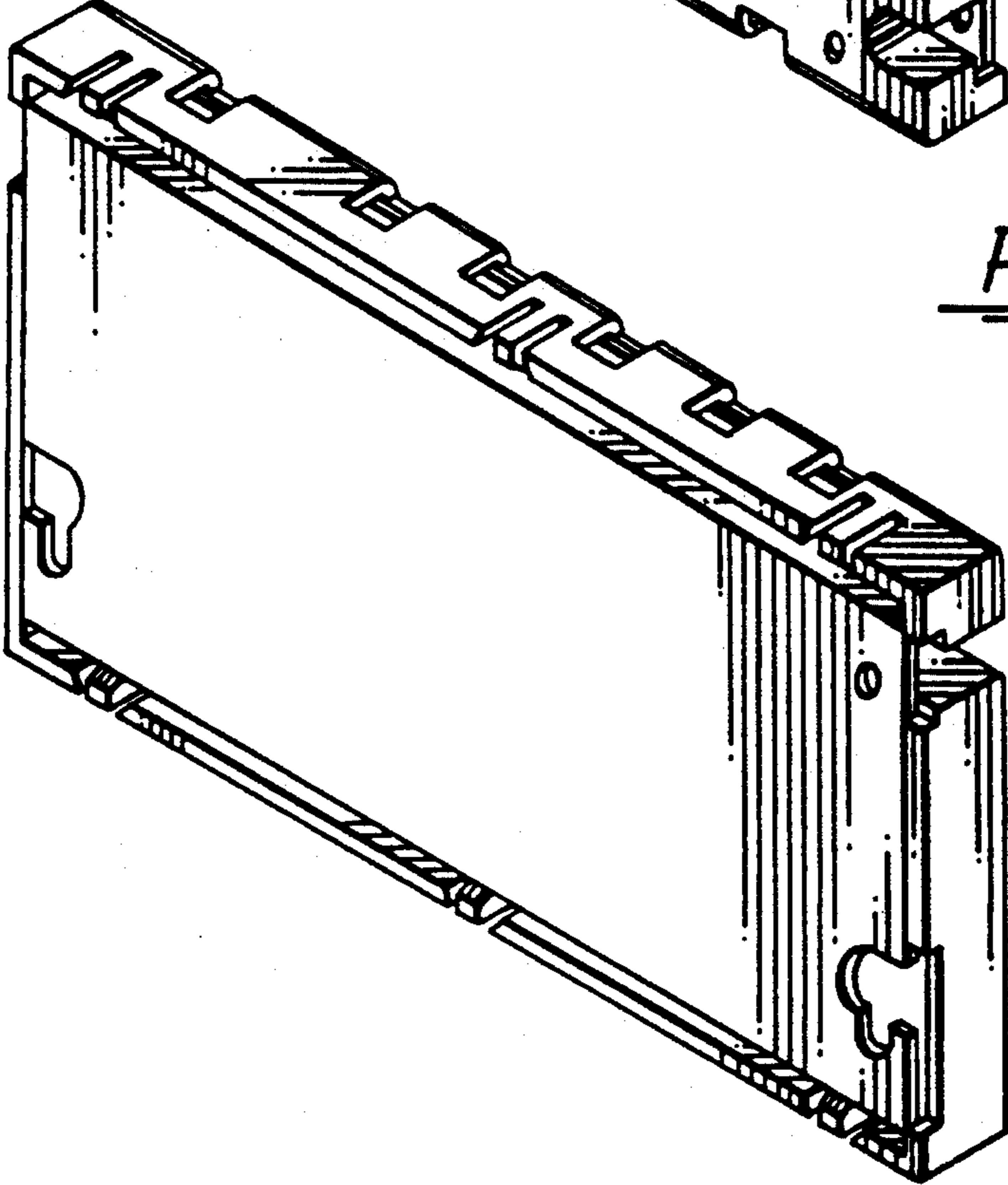


FIG. 8