



US00D339108S

# United States Patent [19]

[11] Patent Number: Des. 339,108

Bergeron

[45] Date of Patent: \*\* Sep. 7, 1993

[54] HOUSING FOR AN ULTRASONIC WALL SWITCH

Primary Examiner—Wallace R. Burke  
Assistant Examiner—Joel Sincavage  
Attorney, Agent, or Firm—Robbins, Berliner & Carson

[75] Inventor: Gregory B. Bergeron, Fullerton, Calif.

[57] CLAIM

[73] Assignee: Novitas, Inc., Santa Monica, Calif.

The ornamental design of a housing for an ultrasonic wall switch, as shown and described.

[\*\*] Term: 14 Years

DESCRIPTION

[21] Appl. No.: 793,089

FIG. 1 is a front elevational view of the housing for an ultrasonic wall switch showing my new design;

[22] Filed: Nov. 15, 1991

FIG. 2 is a bottom plan view thereof;

[52] U.S. Cl. .... D13/158

FIG. 3 is a top plan view thereof;

[58] Field of Search ..... D13/158; D10/106; 200/60.01; 174/52.1; 361/182; 307/129

FIG. 4 is a rear elevational view thereof;

[56] References Cited

FIG. 5 is an end elevational view thereof, the opposite end being a mirror image;

U.S. PATENT DOCUMENTS

FIG. 6 is a front and upper left perspective view thereof; and,

D. 294,231 2/1988 Cameron, Jr. et al. .... D10/106

FIG. 7 is a rear and lower right perspective view thereof.

D. 305,881 2/1990 Bergeron ..... D10/106 X

D. 309,891 8/1990 Cheng ..... D13/158

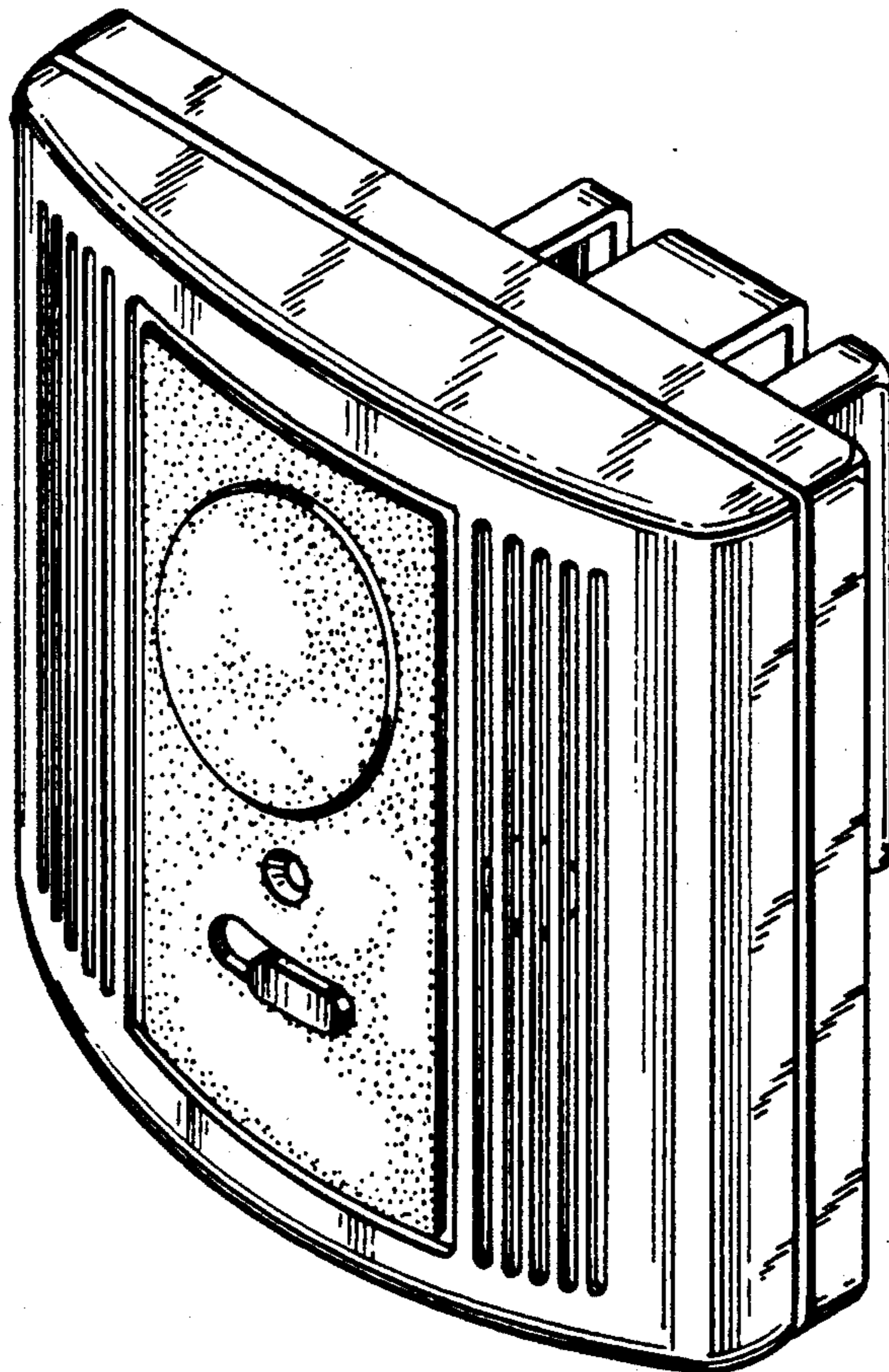


FIG. 1

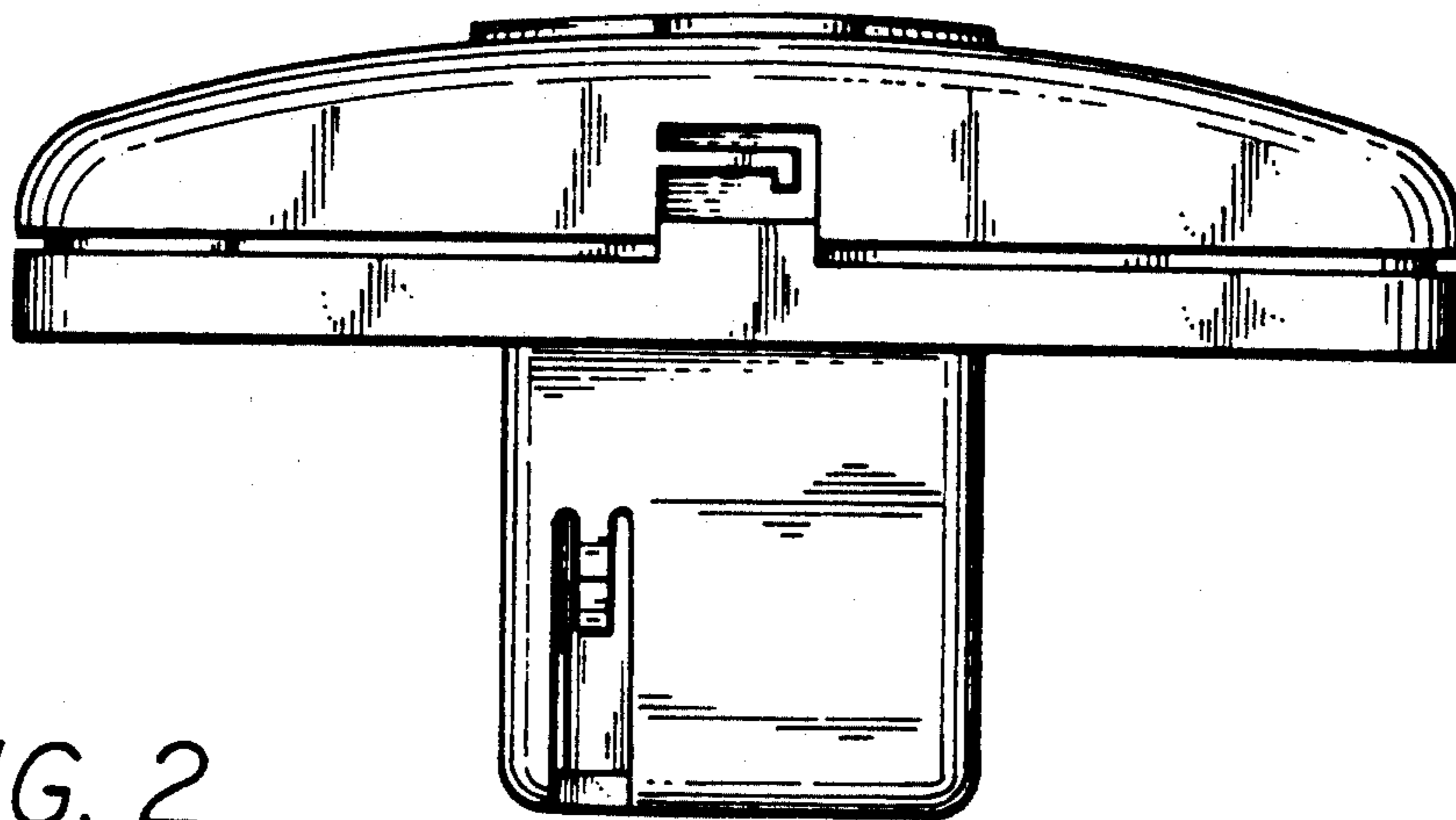
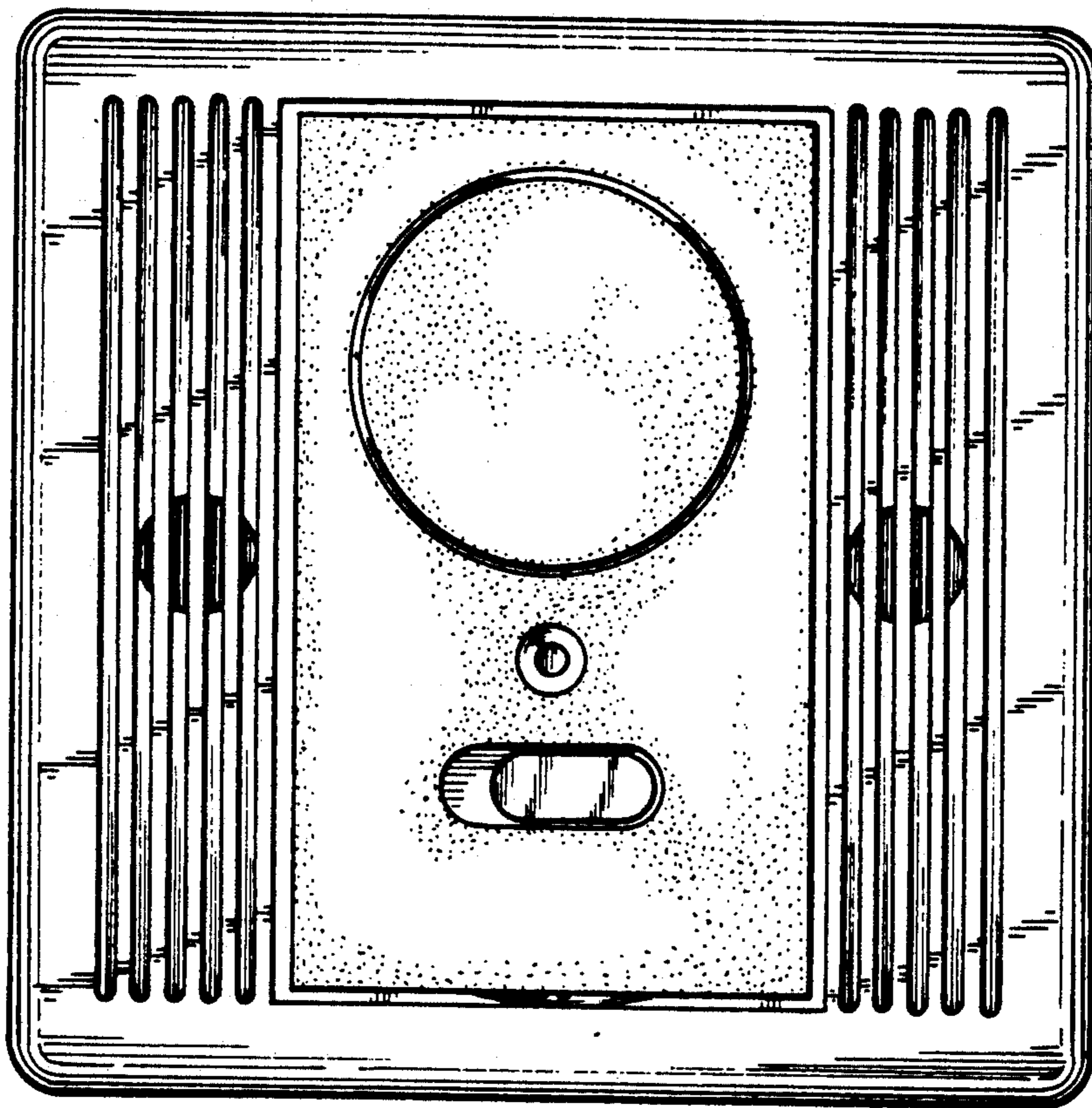


FIG. 2

FIG. 3

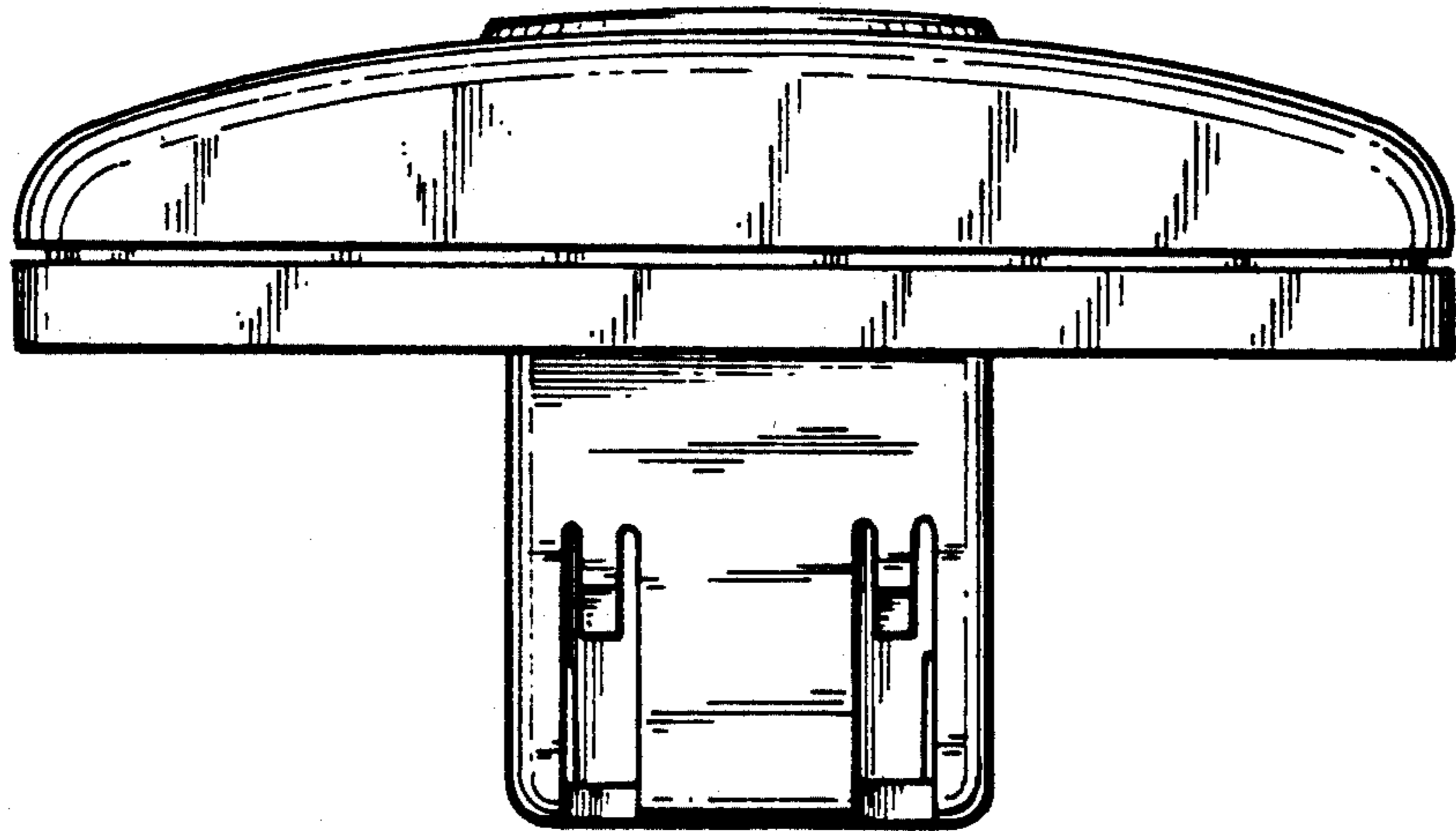
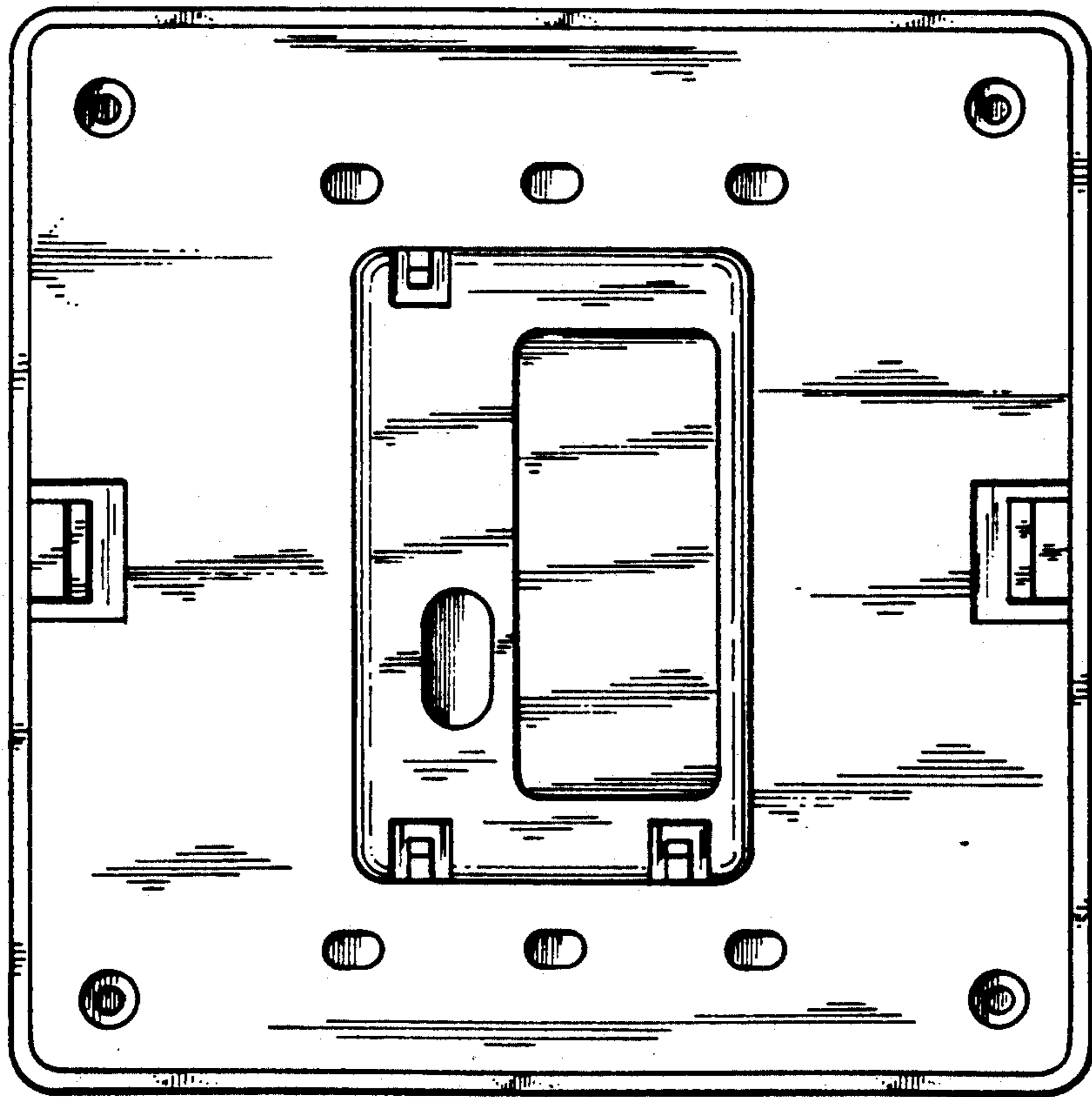


FIG. 4





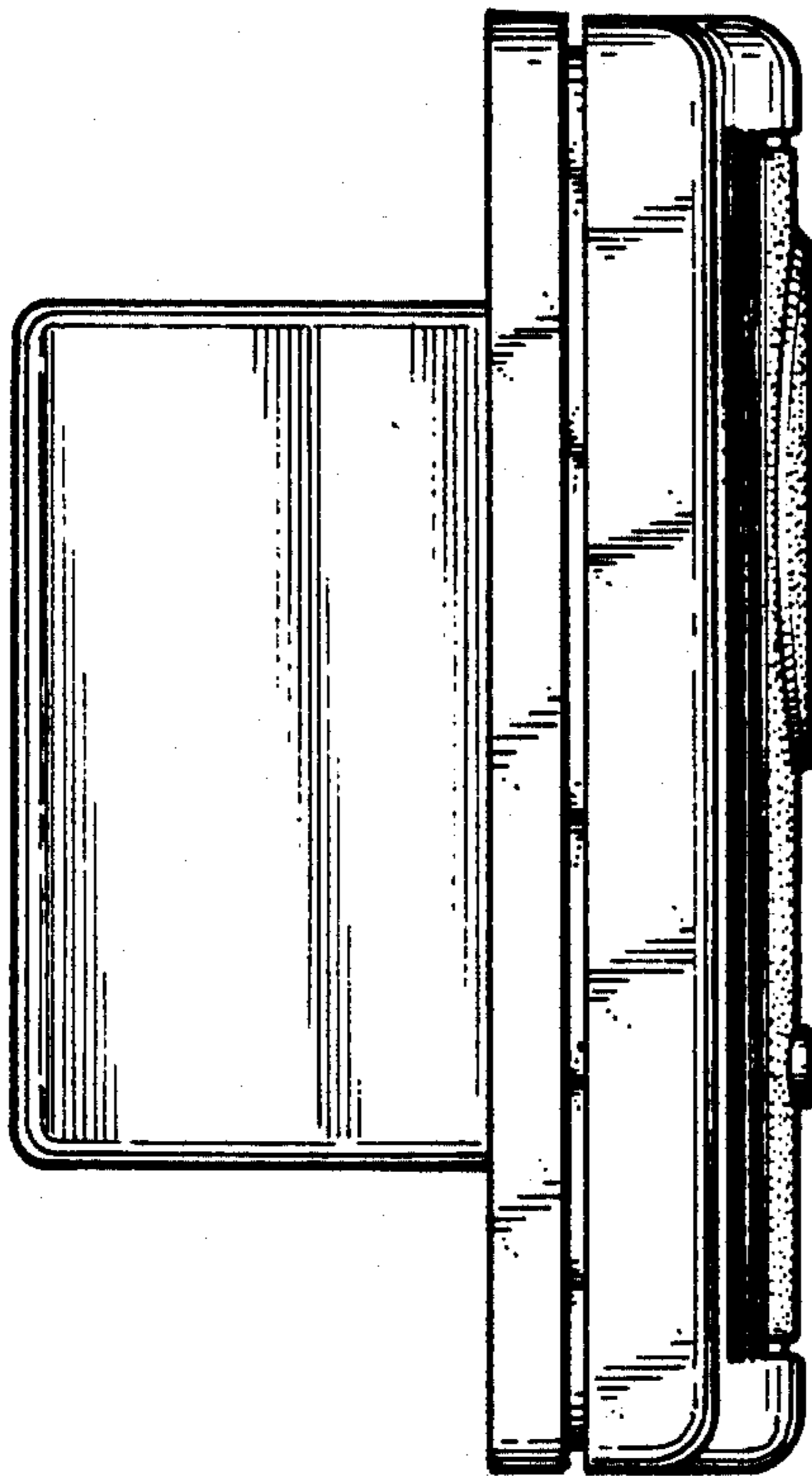


FIG. 5

FIG. 6

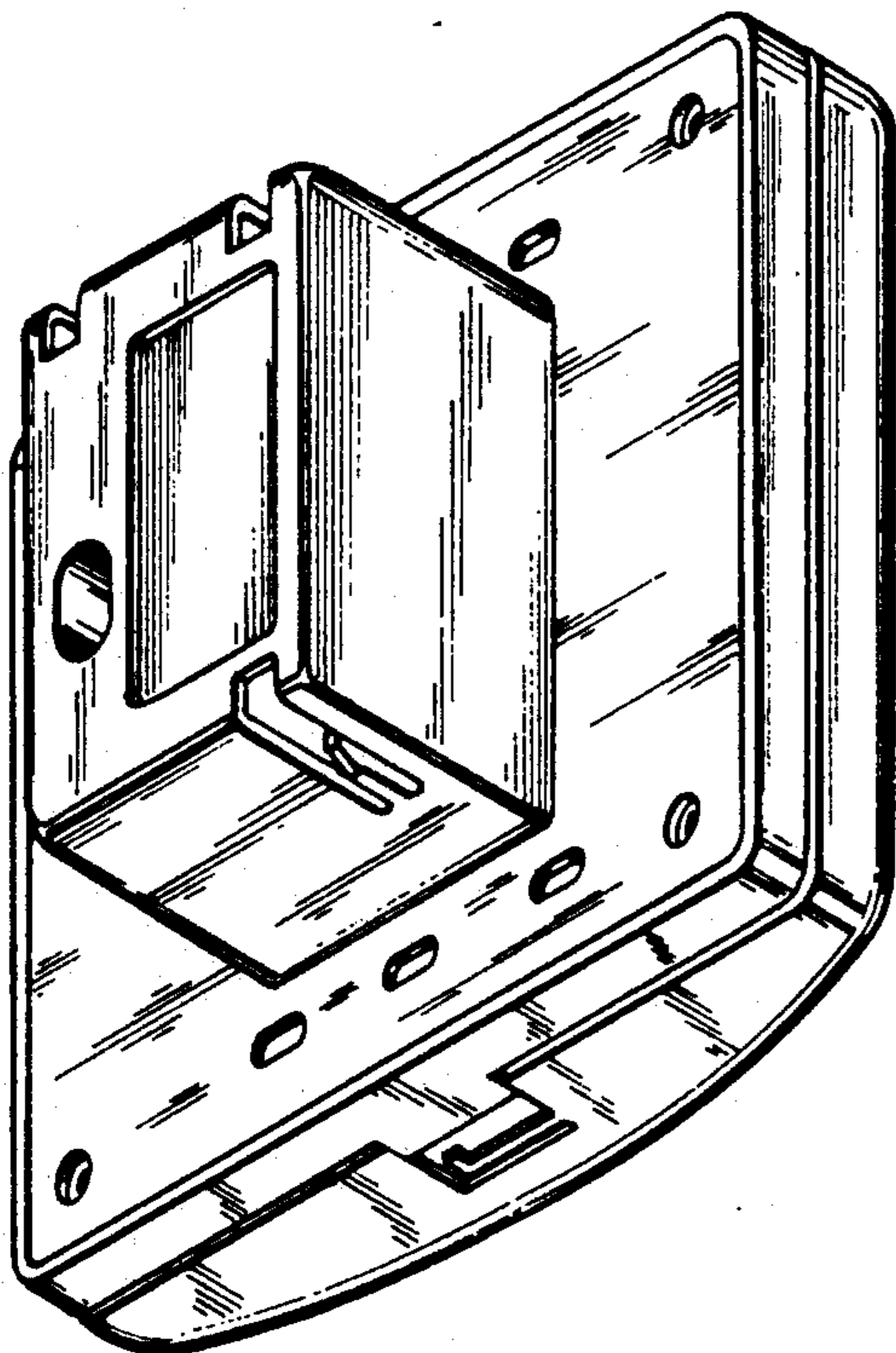
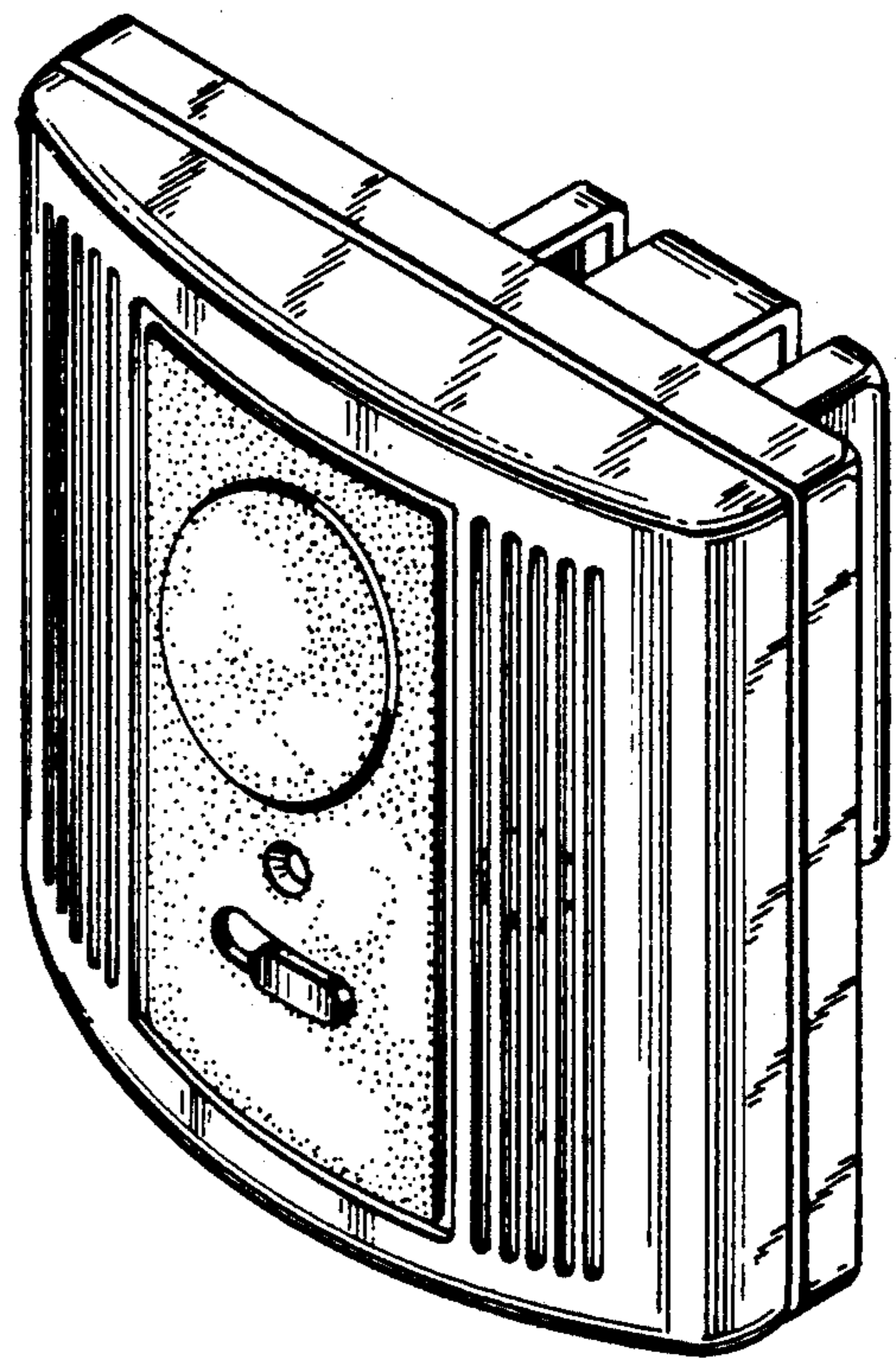


FIG. 7