



US00D339105S

United States Patent [19]

[11] Patent Number: **Des. 339,105**

Manaka et al.

[45] Date of Patent: **** Sep. 7, 1993**

[54] VIDEO CAMERA ADD-ON BATTERY PACK CONNECTOR

[56] References Cited

U.S. PATENT DOCUMENTS

4,186,983 2/1980 Kaye 439/627 X

FOREIGN PATENT DOCUMENTS

2183936 6/1987 United Kingdom 439/638

[75] Inventors: **Hiroshi Manaka; Yukichi Takabe,**
both of Tokyo, Japan

[73] Assignees: **Sony Corporation; SMK Corporation,**
both of Tokyo, Japan

Primary Examiner—Wallace R. Burke
Assistant Examiner—Joel Sincavage
Attorney, Agent, or Firm—Nikaido, Marmelstein,
Murray & Oram

[**] Term: **14 Years**

[57] CLAIM

[21] Appl. No.: **652,912**

The ornamental design for a video camera add-on battery pack connector, as shown and described.

[22] Filed: **Feb. 7, 1991**

DESCRIPTION

[30] Foreign Application Priority Data

Aug. 8, 1990 [JP] Japan 2-26600

[52] U.S. Cl. D13/120; D13/133;
D13/147

[58] Field of Search D13/120, 133, 146;
439/300, 627, 638, 639, 712, 715, 732

FIG. 1 is a perspective view of the video camera add-on battery pack connector showing our new design; FIG. 2 is a front elevational view thereof; FIG. 3 is a rear elevational view thereof; FIG. 4 is a left side elevational view thereof; FIG. 5 is a right side elevational view thereof; FIG. 6 is a top plan view thereof; and, FIG. 7 is a bottom plan view thereof.

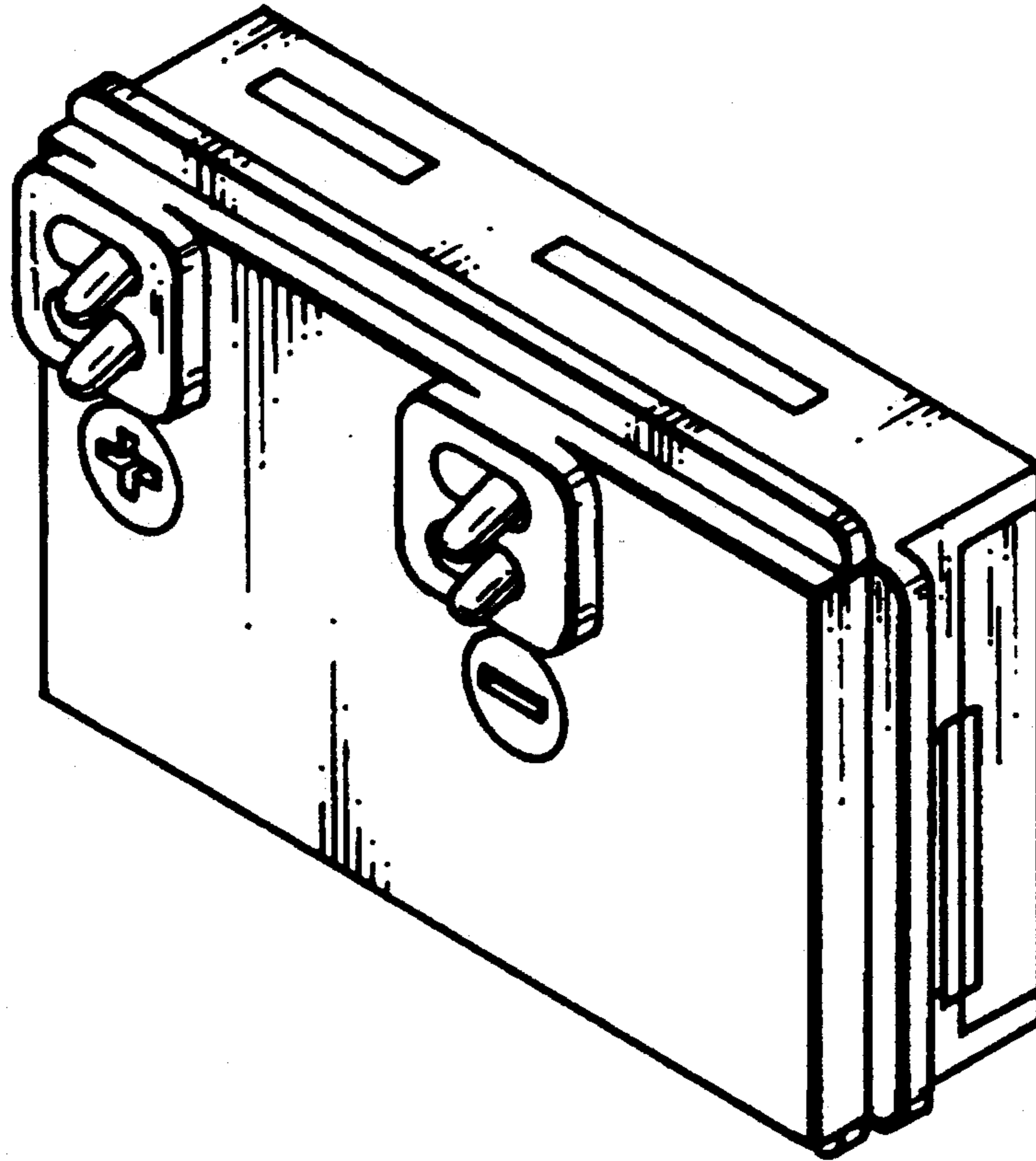


FIG. 1

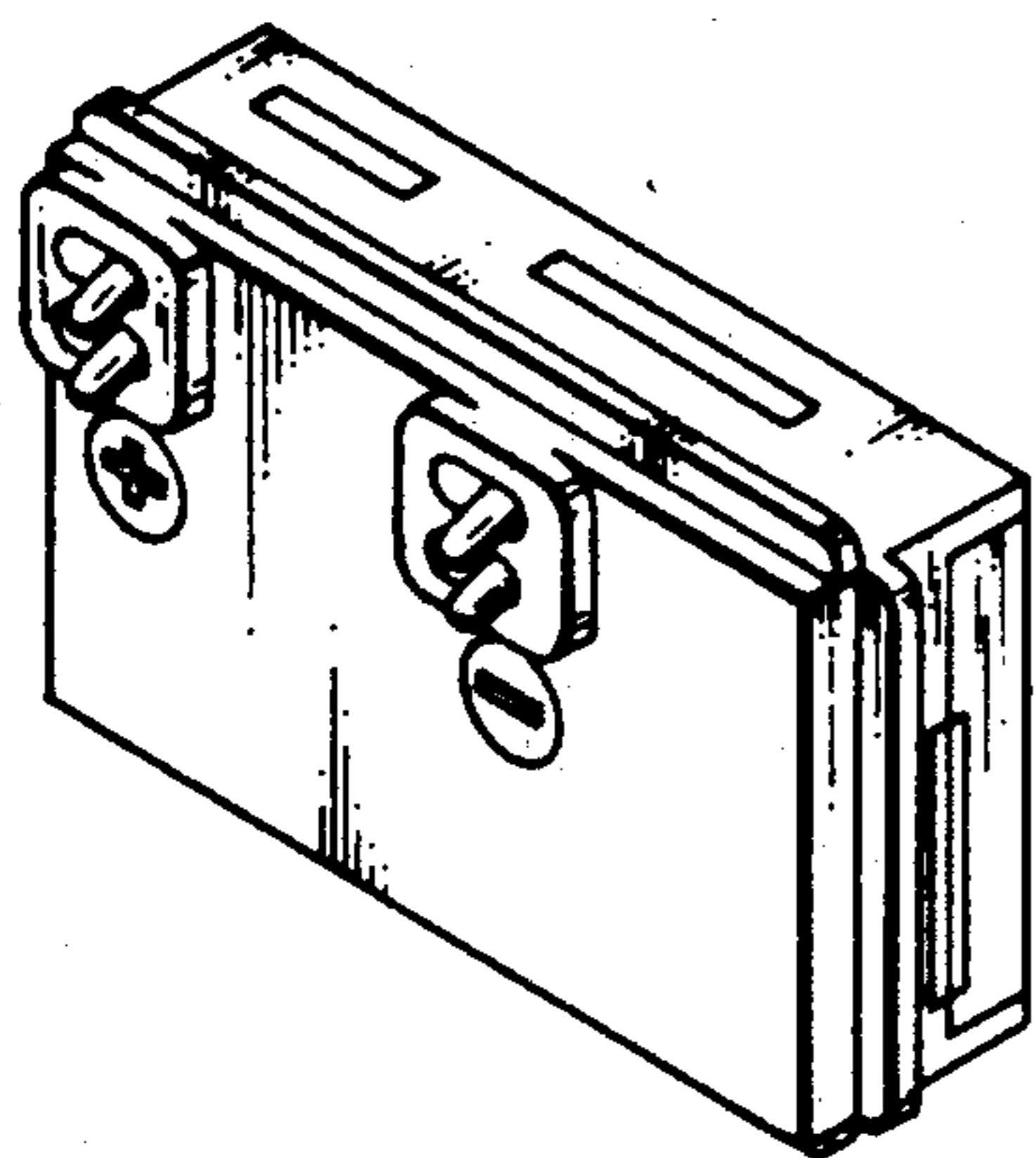


FIG. 2

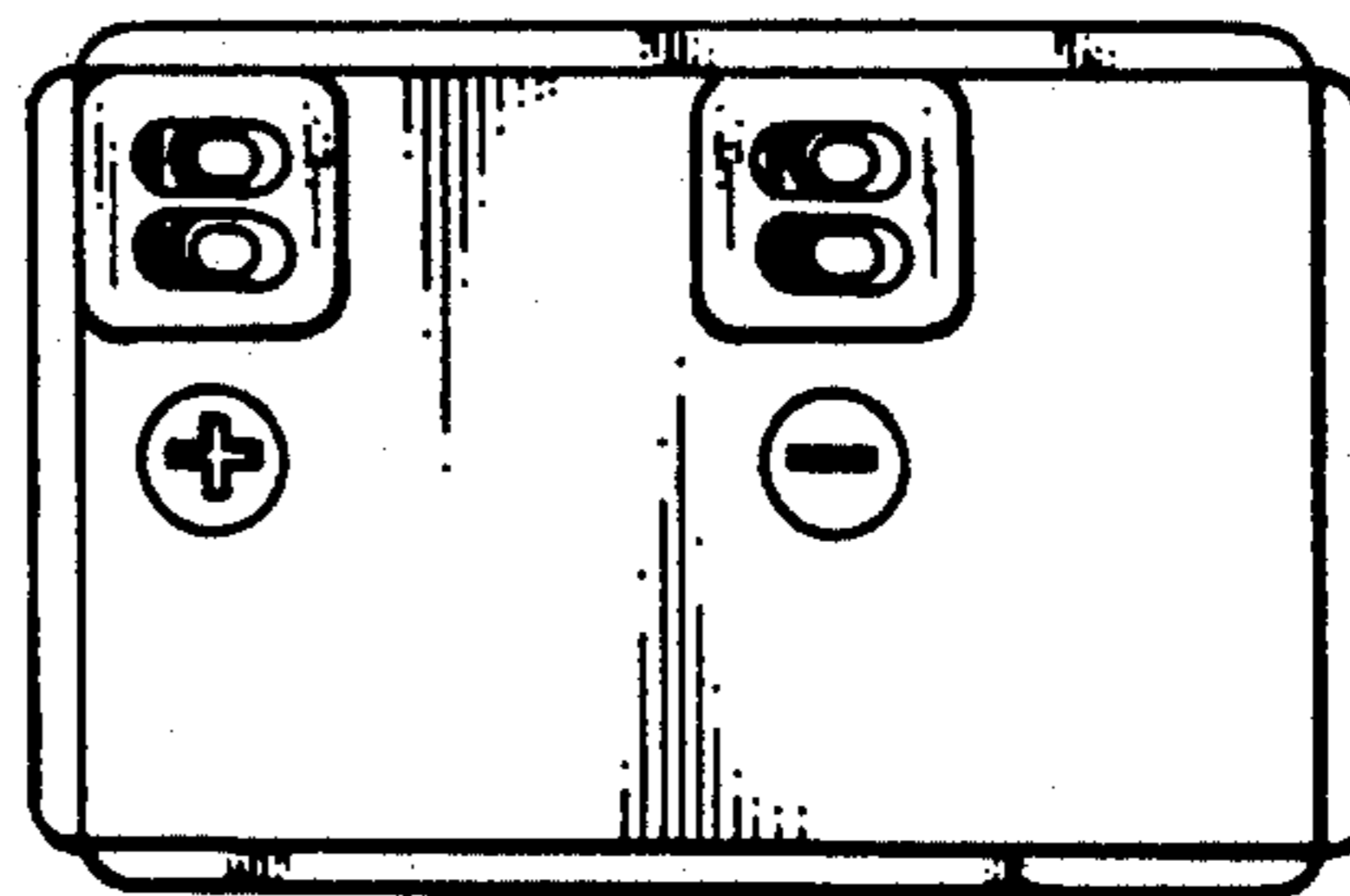


FIG. 3

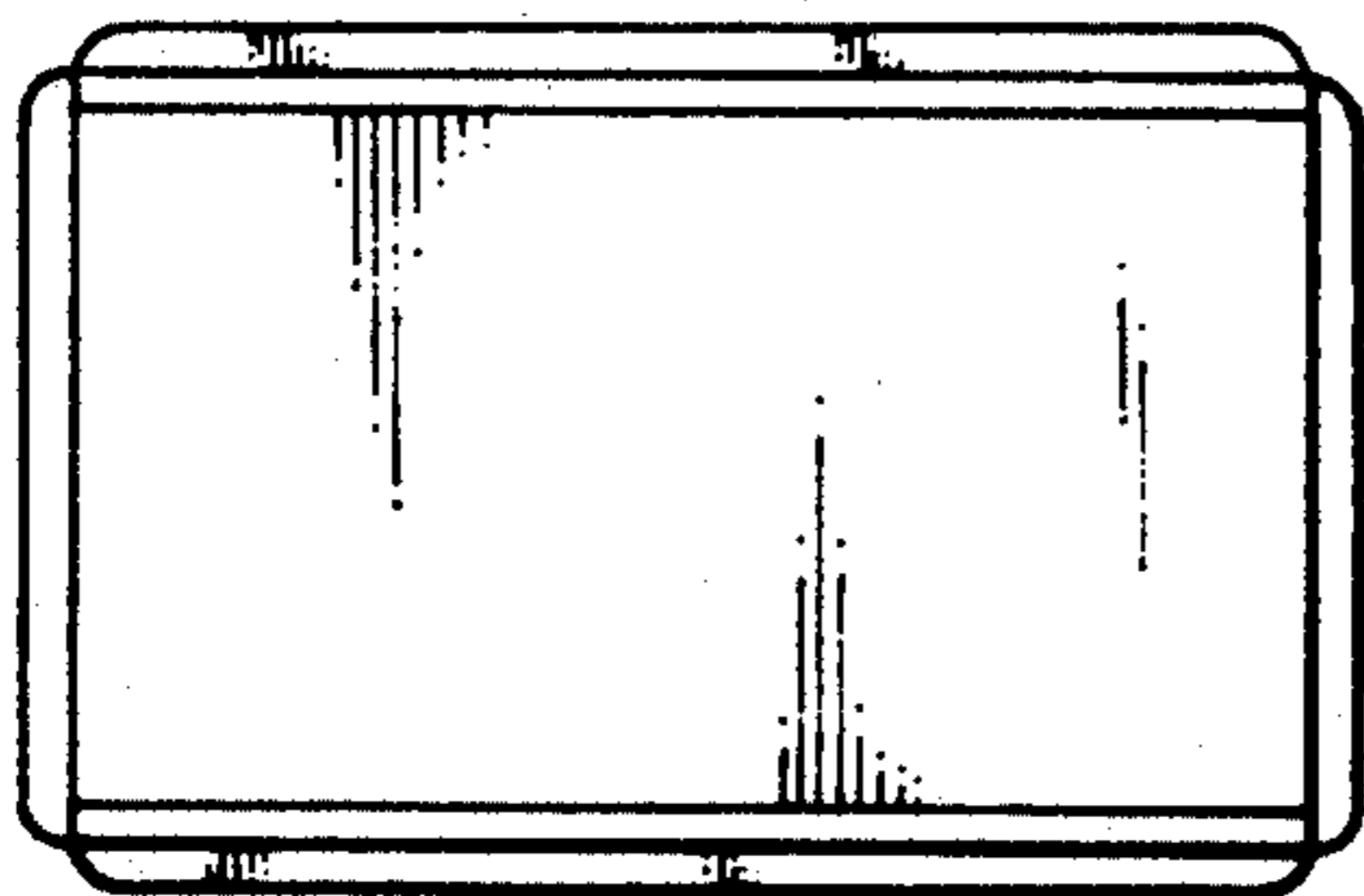


FIG. 4



FIG. 5

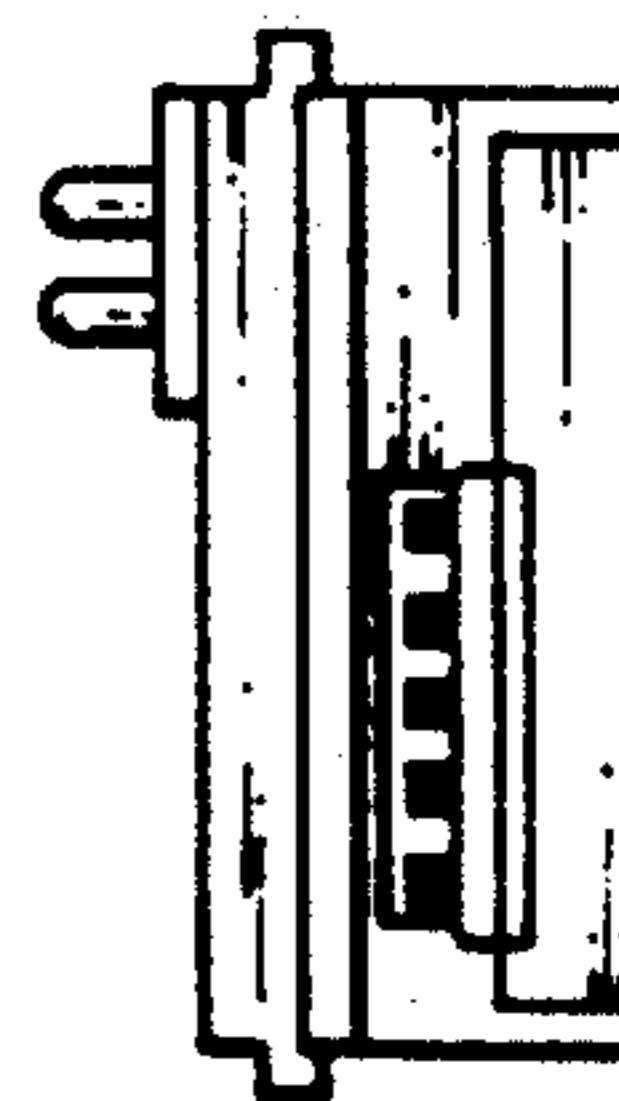


FIG. 6

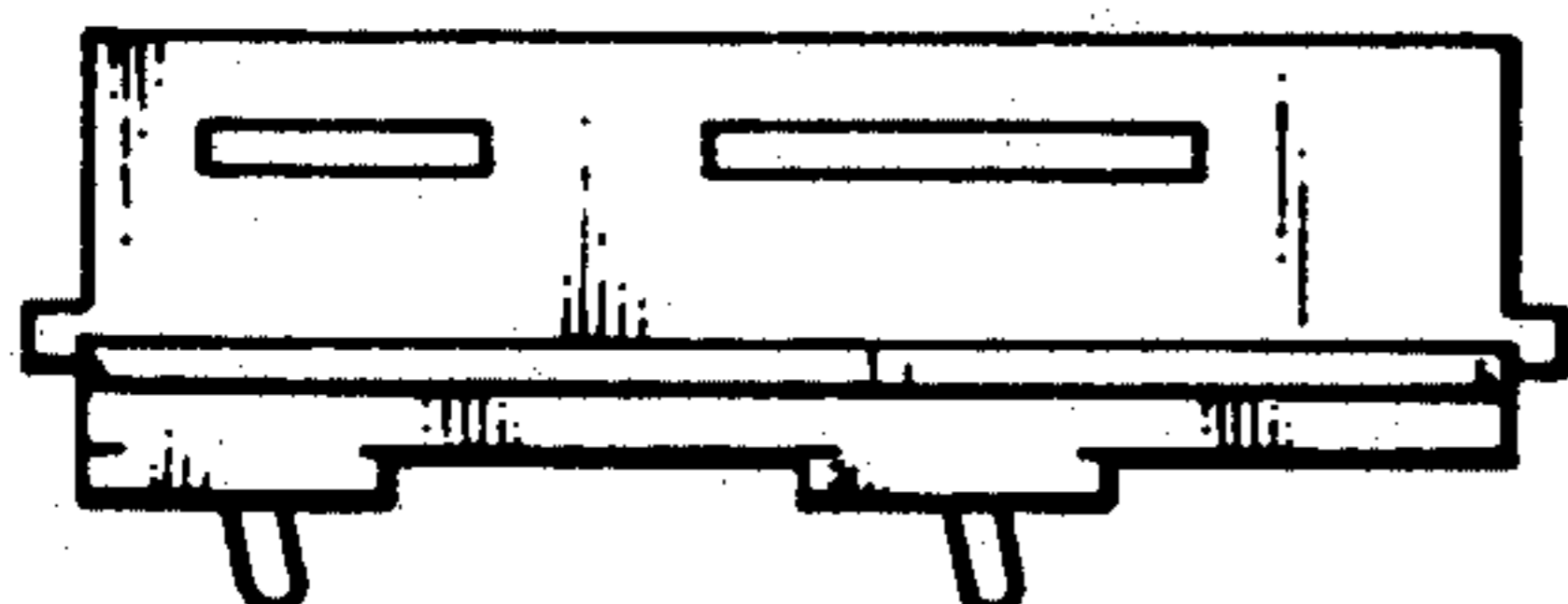
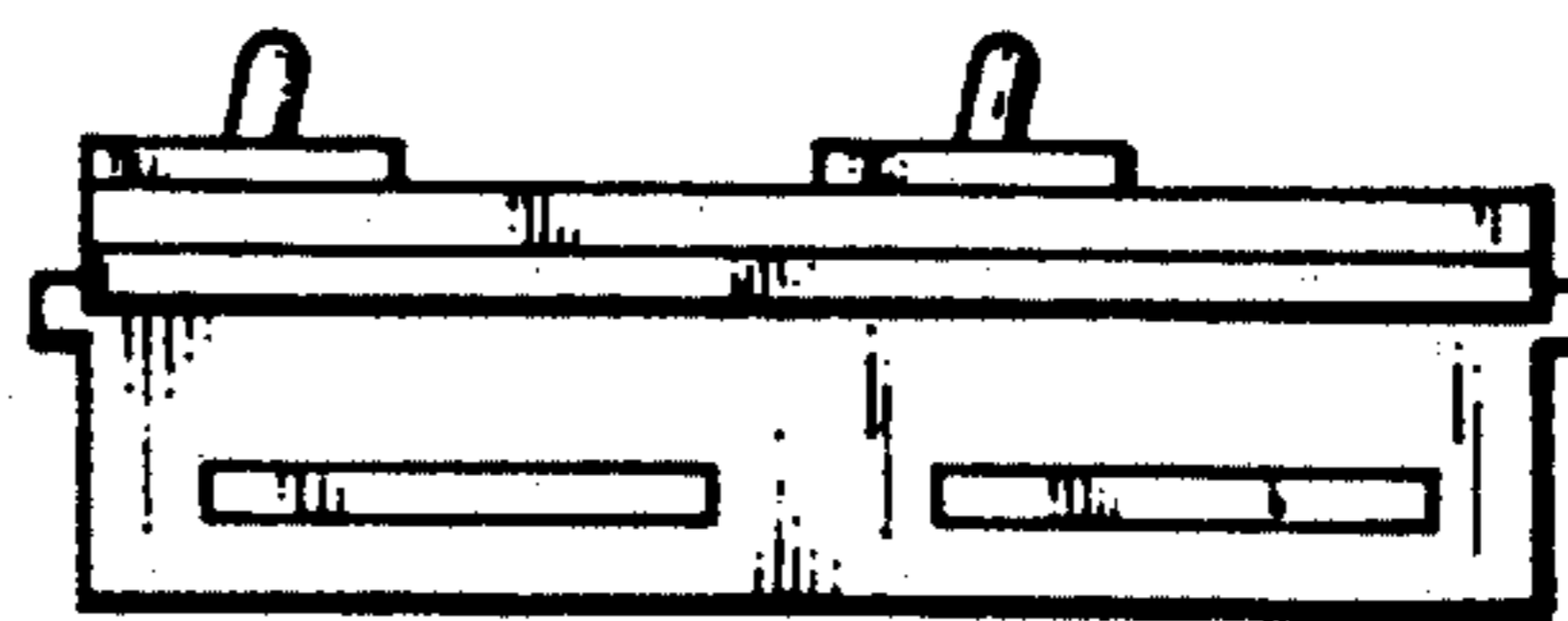


FIG. 7



UNITED STATES PATENT AND TRADEMARK OFFICE
CERTIFICATE OF CORRECTION

PATENT NO. : Des.339,105
DATED : September 7, 1993
INVENTOR(S) : Hiroshi Manaka, et al

It is certified that error appears in the above-identified patent and that said Letters Patent is hereby corrected as shown below:

On the title page, Item [75], line one, change "TAKABE" to
-- Takebe --.

Signed and Sealed this
Twenty-second Day of March, 1994

Attest:



BRUCE LEHMAN

Attesting Officer

Commissioner of Patents and Trademarks