



US00D339103S

# United States Patent [19]

[11] Patent Number: **Des. 339,103**

Dickey

[45] Date of Patent: **\*\* Sep. 7, 1993**

## [54] HOUSING FOR AN AC POWER ADAPTER

[75] Inventor: **David V. Dickey, Shell Beach, Calif.**

[73] Assignee: **Empire Engineering, San Luis Obispo, Calif.**

[\*\*] Term: **14 Years**

[21] Appl. No.: **907,455**

[22] Filed: **Jul. 2, 1992**

[52] U.S. Cl. .... **D13/110**

[58] Field of Search ..... **D13/110, 123, 124, 160, D13/184; 361/386, 383, 388, 392; 336/90, 92, 200; 363/15, 95, 146; 307/150, 151; 174/52.1, 52.2**

## [56] References Cited

### U.S. PATENT DOCUMENTS

D. 246,709	12/1977	Pomper	.....	D13/110
D. 283,318	4/1986	Tibolla	.....	D13/160
D. 308,044	5/1990	Chandler	.....	D13/110
3,359,461	12/1967	Schuler et al.	.....	363/146
3,391,384	7/1968	Hughes	.....	174/52.1 X

## OTHER PUBLICATIONS

AC adapters on p. 235 of *Hong Kong Enterprise* Oct. 1989, Copy located in Class D13/110 non-patent literature.

Plug in transformer on p. 150 of *Home Lighting & Accessories* Sep. 1989, Located in Examiner Lucas' office.

*Primary Examiner*—Wallace R. Burke

*Assistant Examiner*—Joel Sincavage

*Attorney, Agent, or Firm*—Daniel C. McKown

## [57] CLAIM

The ornamental design for a housing for an AC power adapter, as shown.

## DESCRIPTION

FIG. 1 is a front left bottom perspective view of a housing for an AC power adapter showing my new design; FIG. 2 is a front elevational view thereof; FIG. 3 is a rear elevational view thereof; FIG. 4 is a left side elevational view thereof; FIG. 5 is a right side elevational view thereof; FIG. 6 is a top plan view thereof; and, FIG. 7 is a bottom plan view thereof.

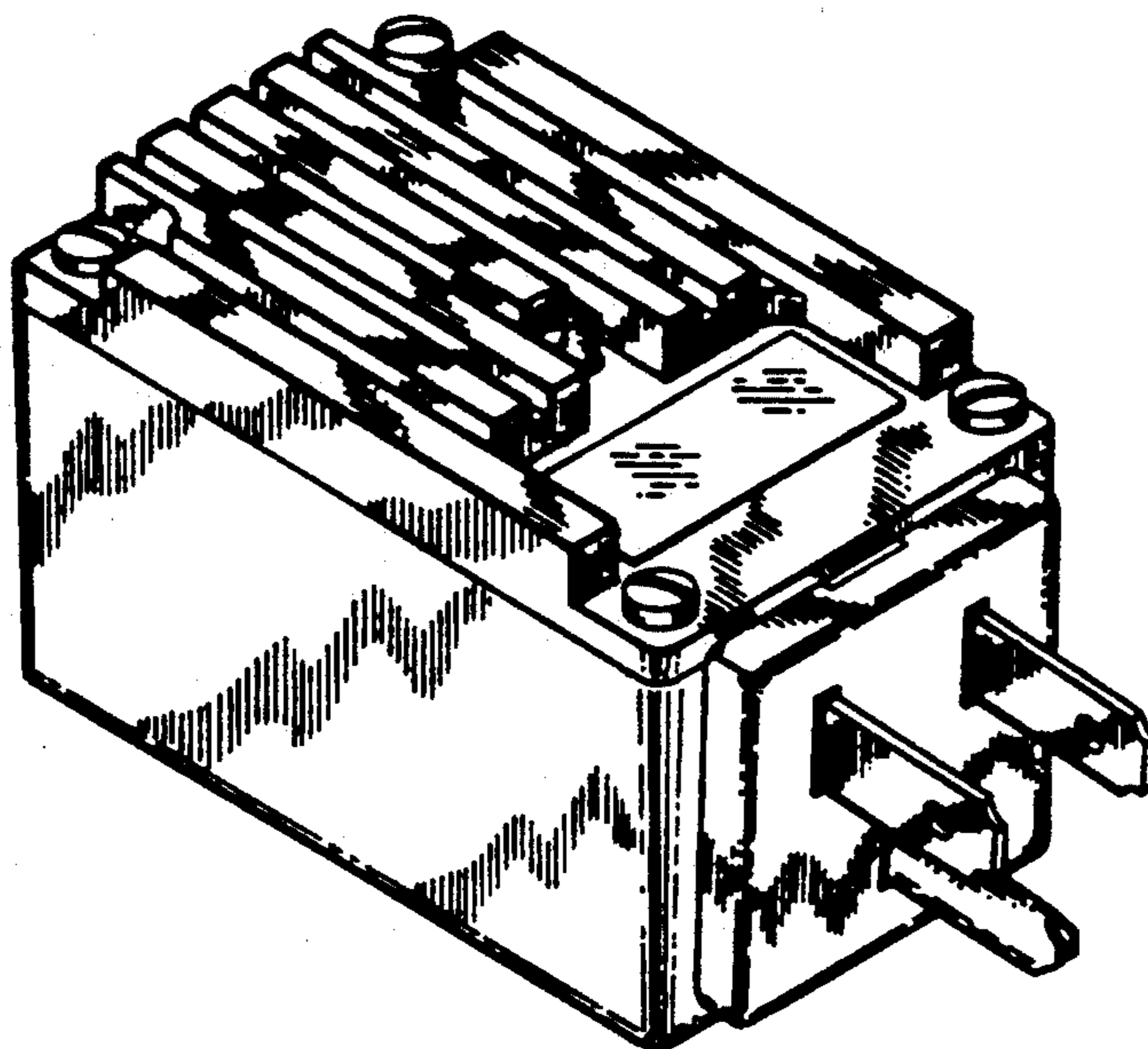


Fig. 6

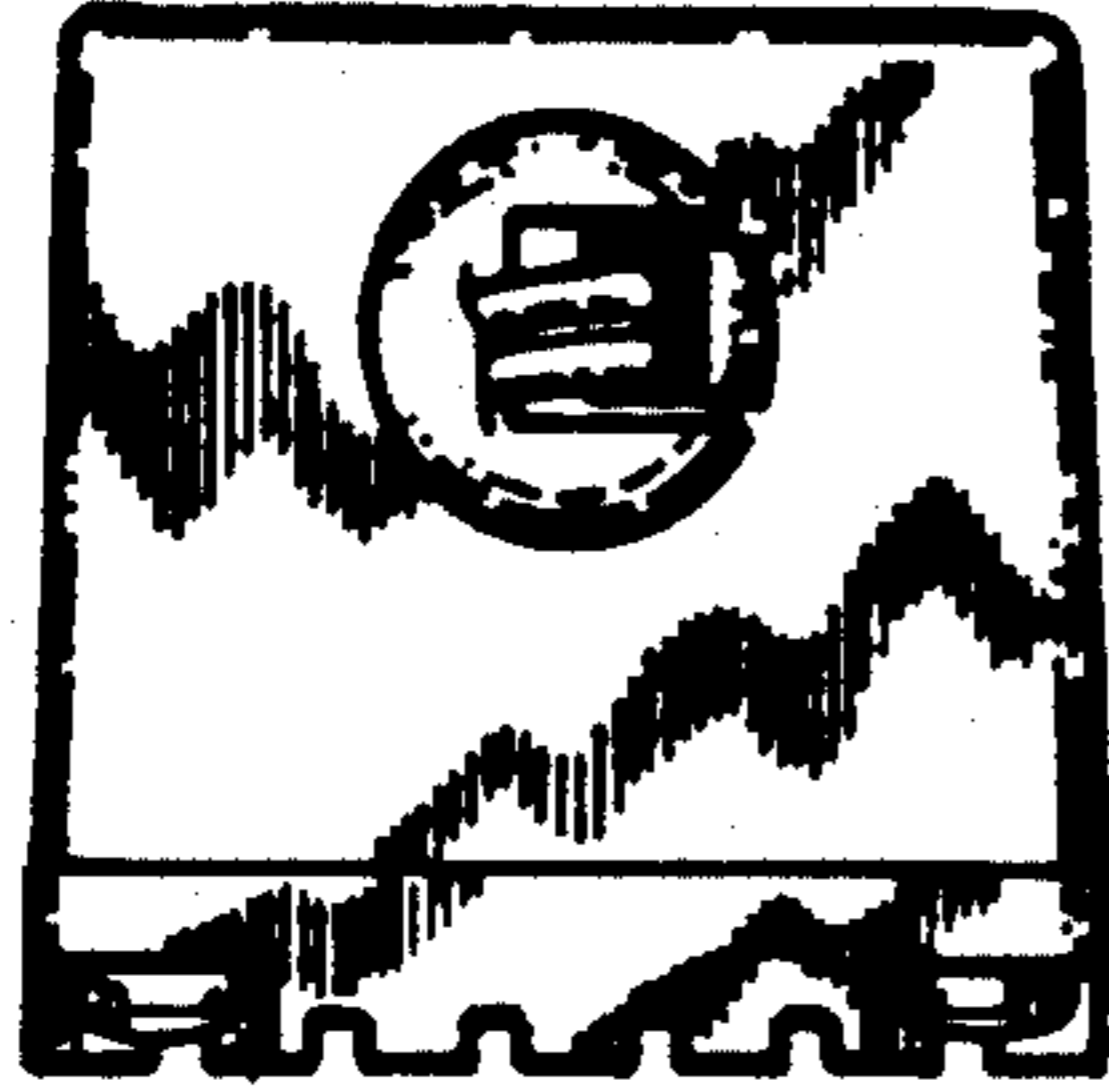


Fig. 7

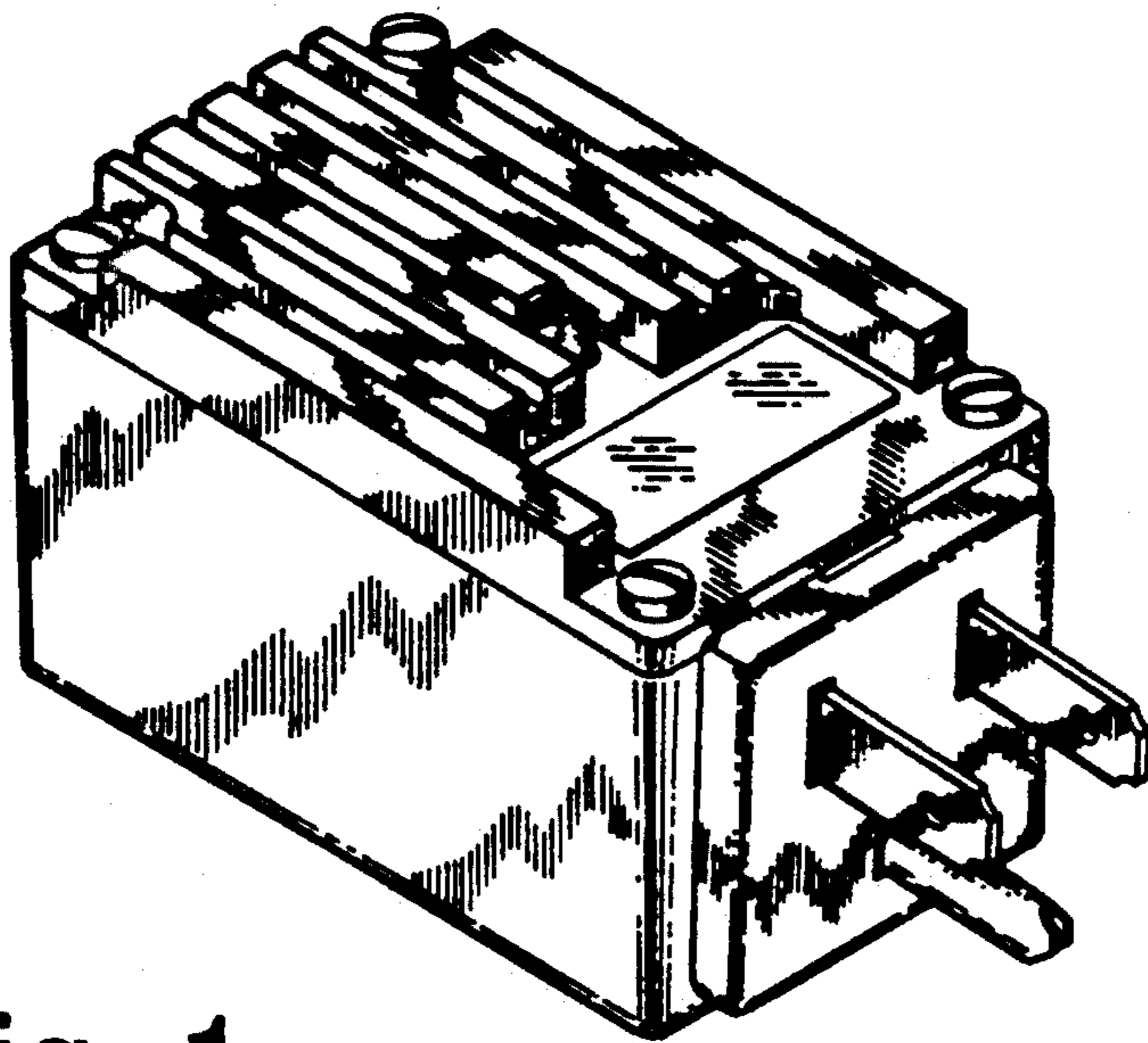
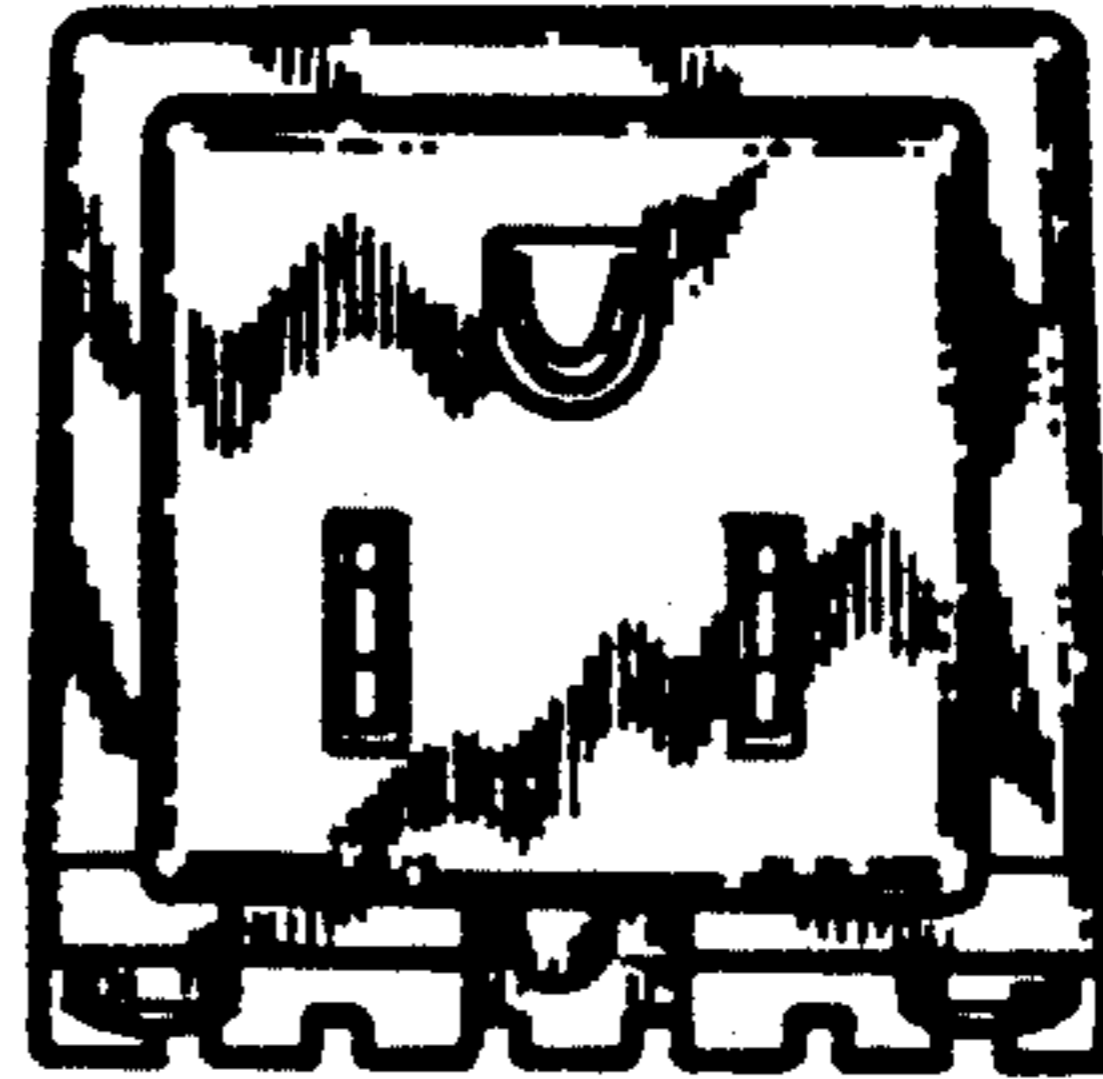


Fig. 1

Fig. 2

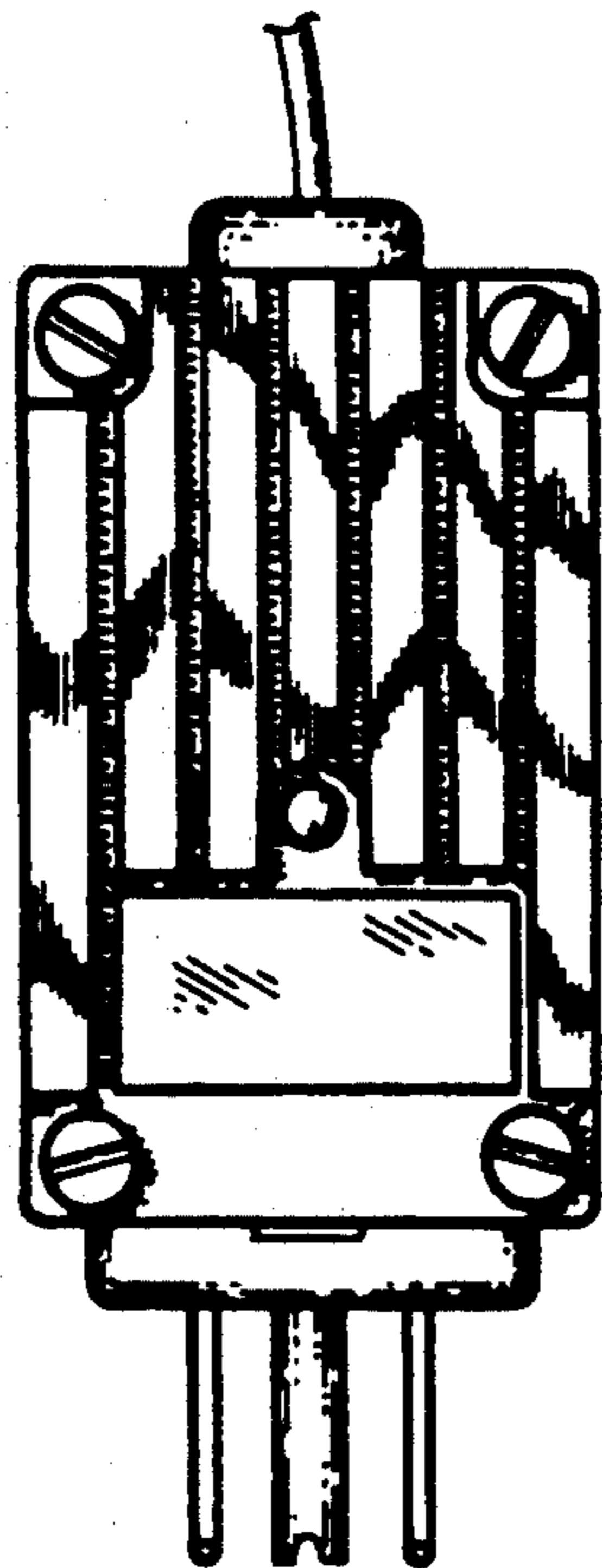


Fig. 4

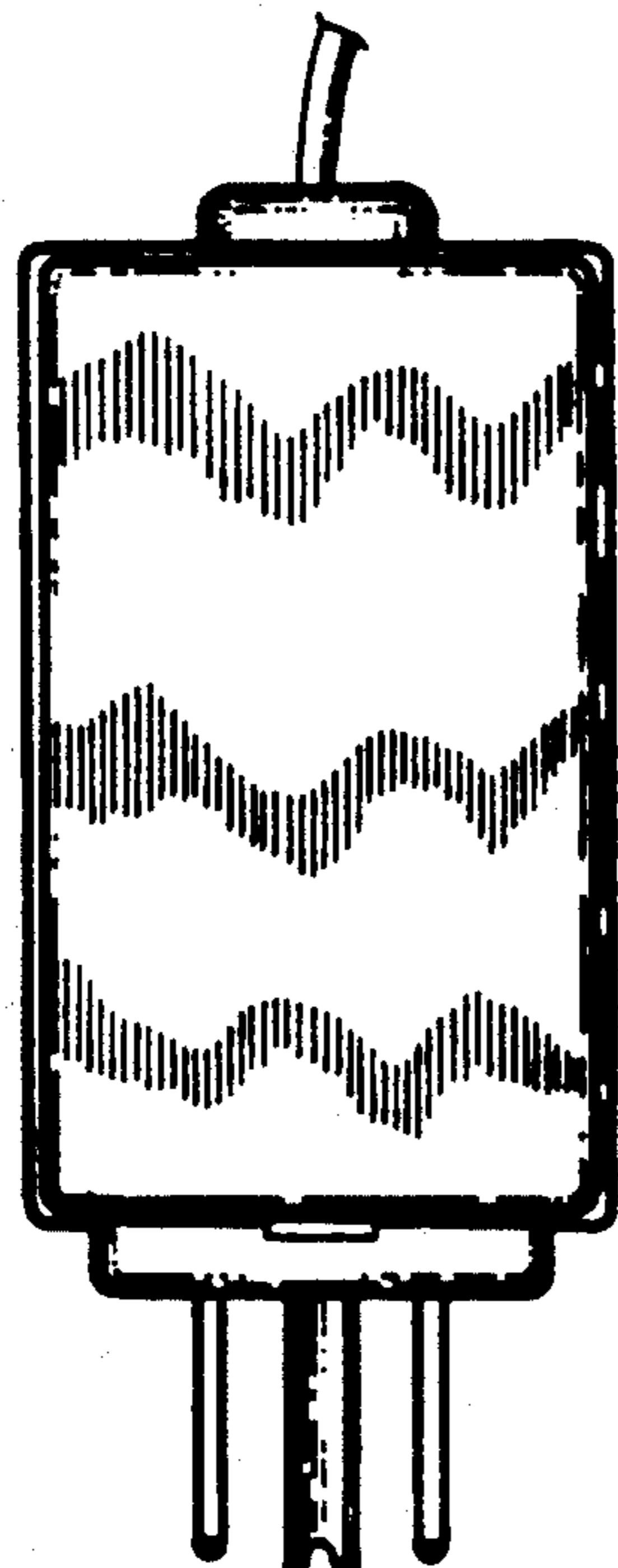
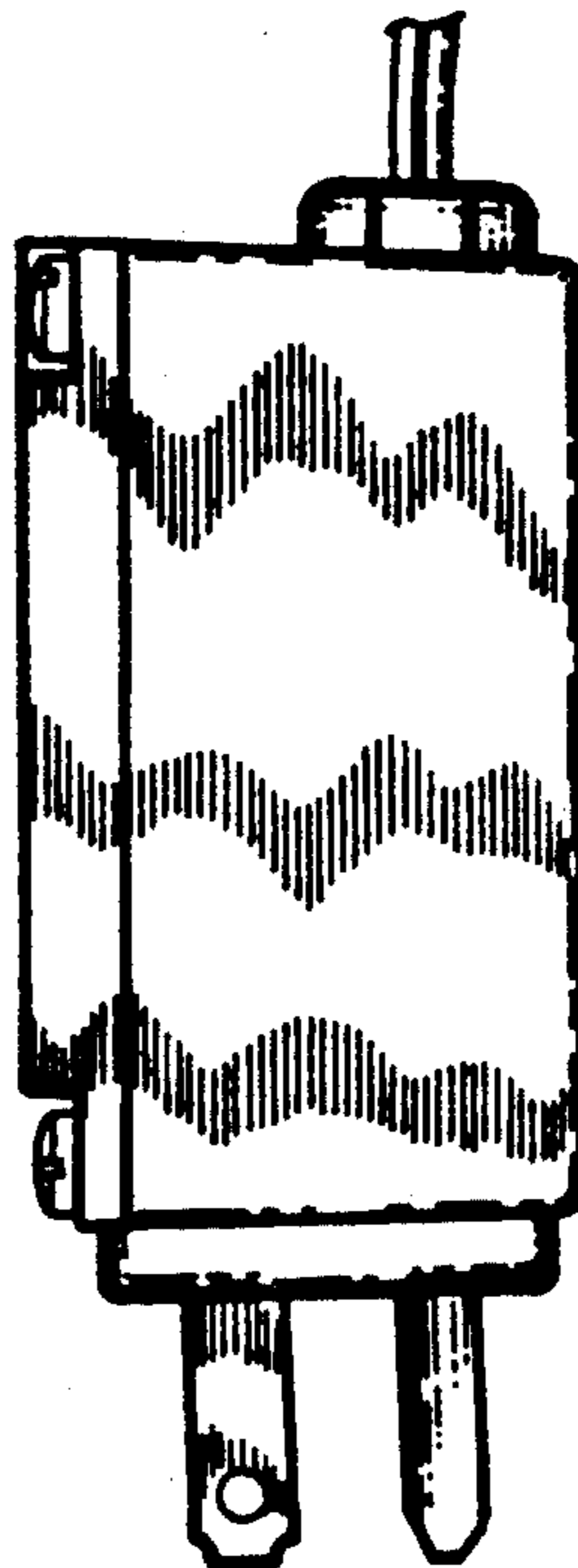


Fig. 3

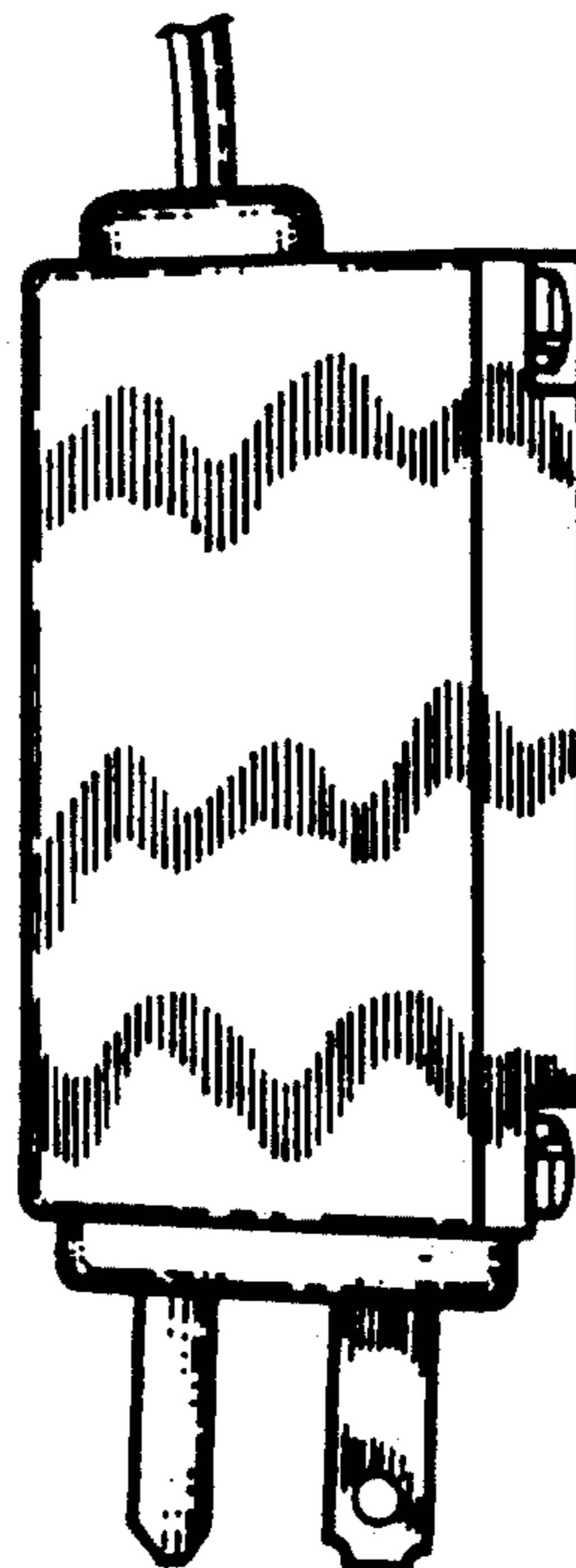


Fig. 5