



US00D339102S

United States Patent [19]

[11] Patent Number: Des. 339,102

Boyd

[45] Date of Patent: ** Sep. 7, 1993

[54] **ELECTRIC POWER CONVERTER**

[75] Inventor: Edward L. Boyd, Wooster, Ohio

[73] Assignee: Rubbermaid Incorporated, Wooster, Ohio

[**] Term: 14 Years

[21] Appl. No.: 929,208

[22] Filed: Aug. 11, 1992

[52] U.S. Cl. D13/110

[58] Field of Search D13/110, 123; 361/383, 361/388; 307/150; 363/15, 141, 142, 143, 144, 145, 146

Brinsdon Corporation, 275 Fairchild Ave., Building #105, Chico, CA 96926.

Igloo® 1992 Product Catalog and Price List, Igloo Products Corp., P.O. Box 19322, Houston, TX 77224-9322, pp. 2-3.

1991 Coleman Outdoor Products, Inc., The Coleman Company, Inc., 250 N. St. Francis, Wichita, KS 67202, p. 39.

Primary Examiner—Wallace R. Burke

Assistant Examiner—Joel Sincavage

Attorney, Agent, or Firm—Renner, Kenner, Greive, Bobak, Taylor & Weber

[56] **References Cited**

U.S. PATENT DOCUMENTS

D. 260,635	9/1981	Lockwood	D13/110
D. 261,259	10/1981	Swartz	D13/110
D. 264,962	6/1982	Fellmann	D13/110
D. 276,495	11/1984	Sylvia	D13/110 X
D. 280,318	8/1985	Barone	D13/110
D. 311,899	11/1990	Lenzing et al.	D13/123 X
4,300,087	11/1981	Meisner	307/150 X

OTHER PUBLICATIONS

“AC/DC Power Supply Product Specifications”,

[57] **CLAIM**

The ornamental design for an electric power converter, as shown and described.

DESCRIPTION

FIG. 1 is a perspective view of an electric power converter embodying my new design; FIG. 2 is a front elevational view thereof; FIG. 3 is a rear elevational view thereof; FIG. 4 is an elevational view of the side opposite to that shown in FIG. 1, the sides being mirror images of each other; FIG. 5 is a top plan view thereof; and, FIG. 6 is a bottom plan view thereof.

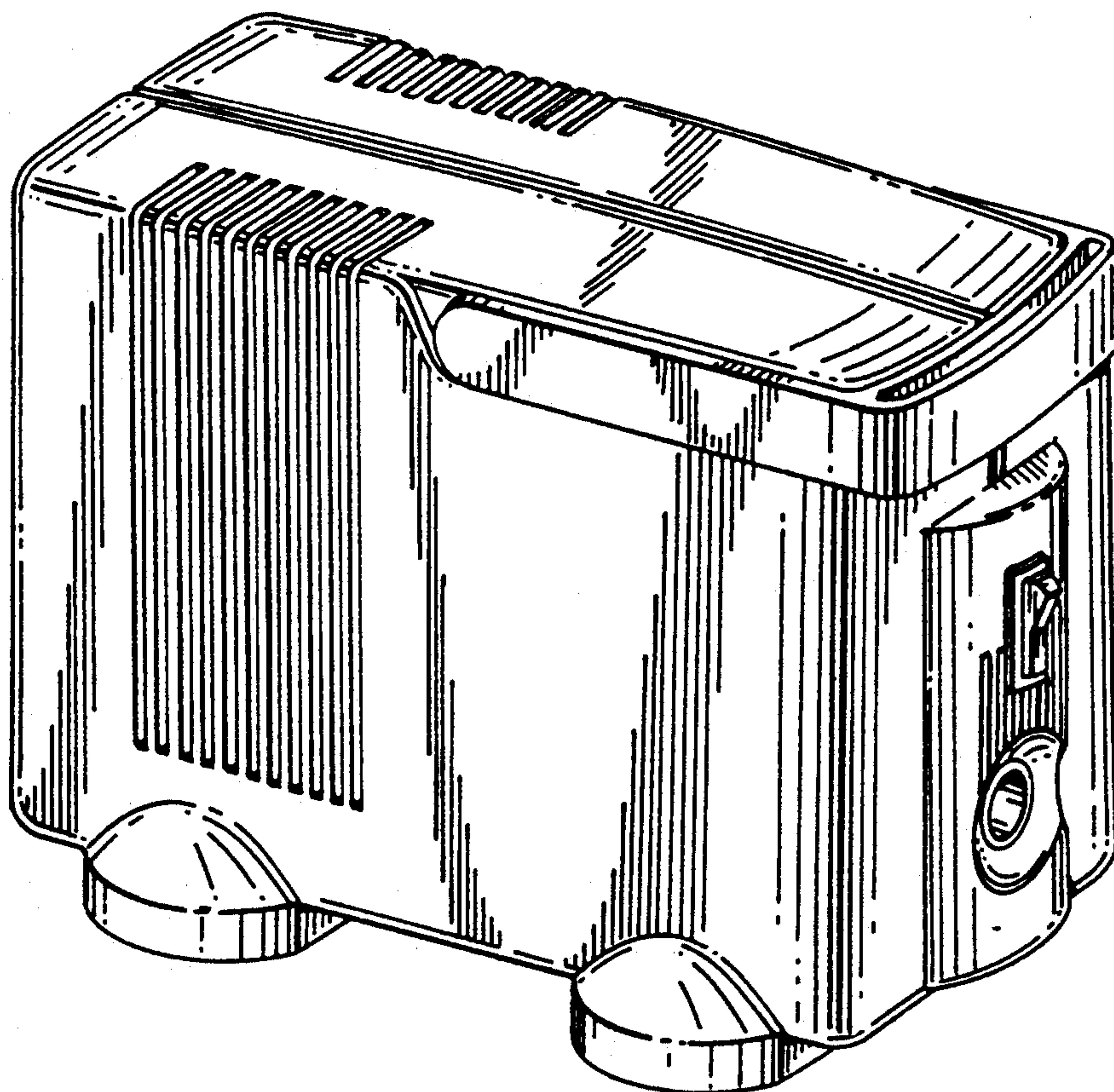
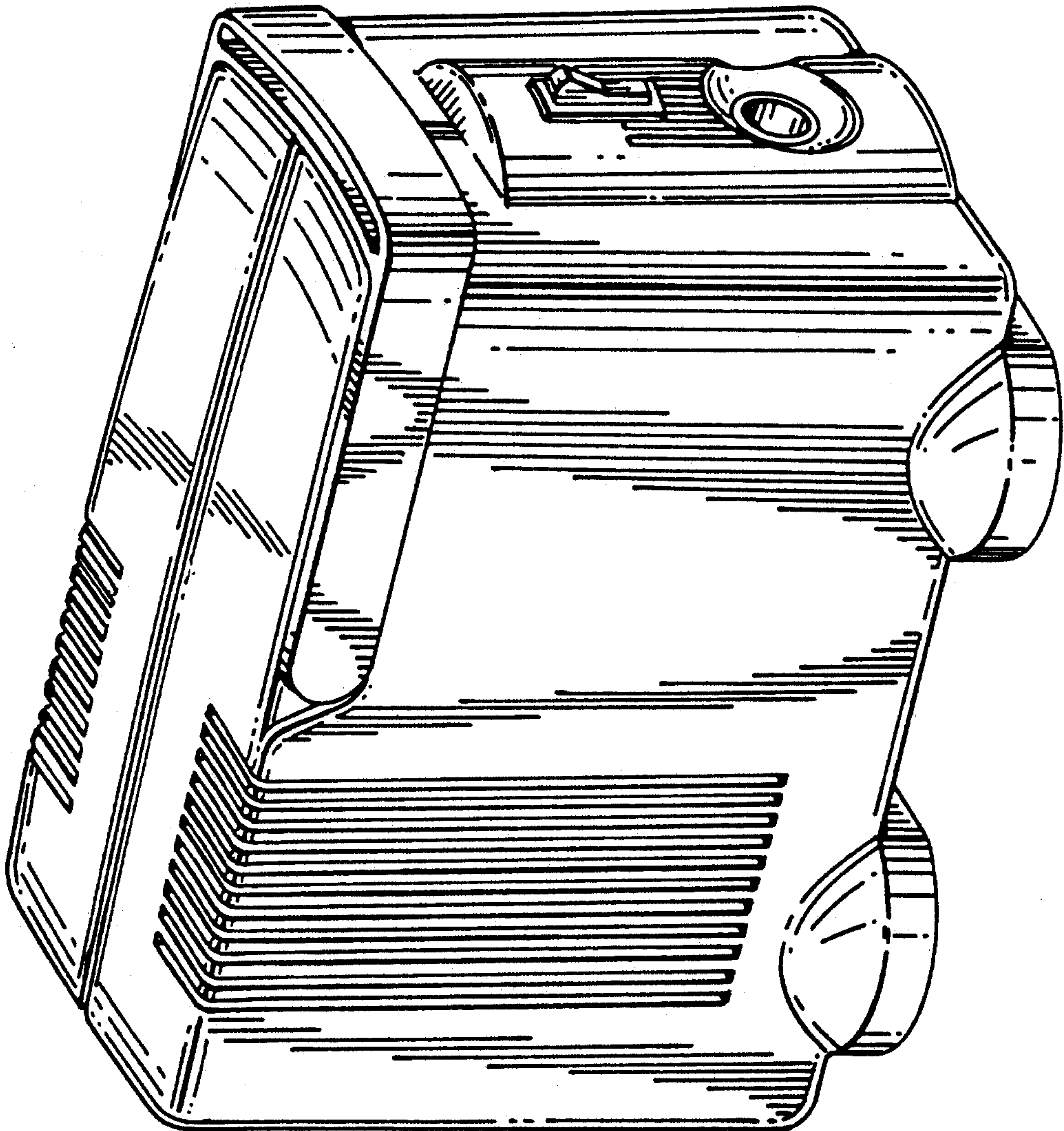


FIG. 1



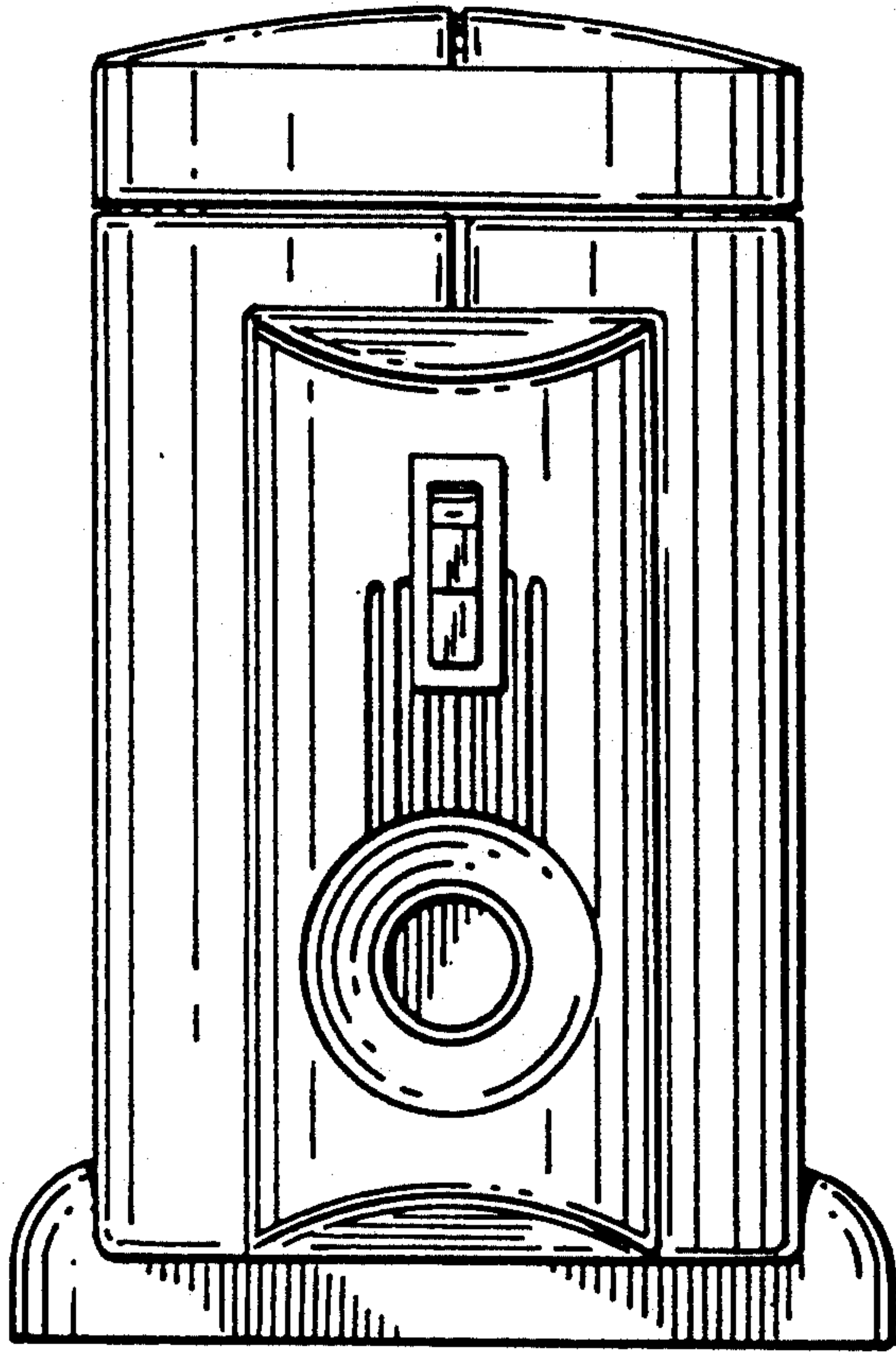


FIG. 2

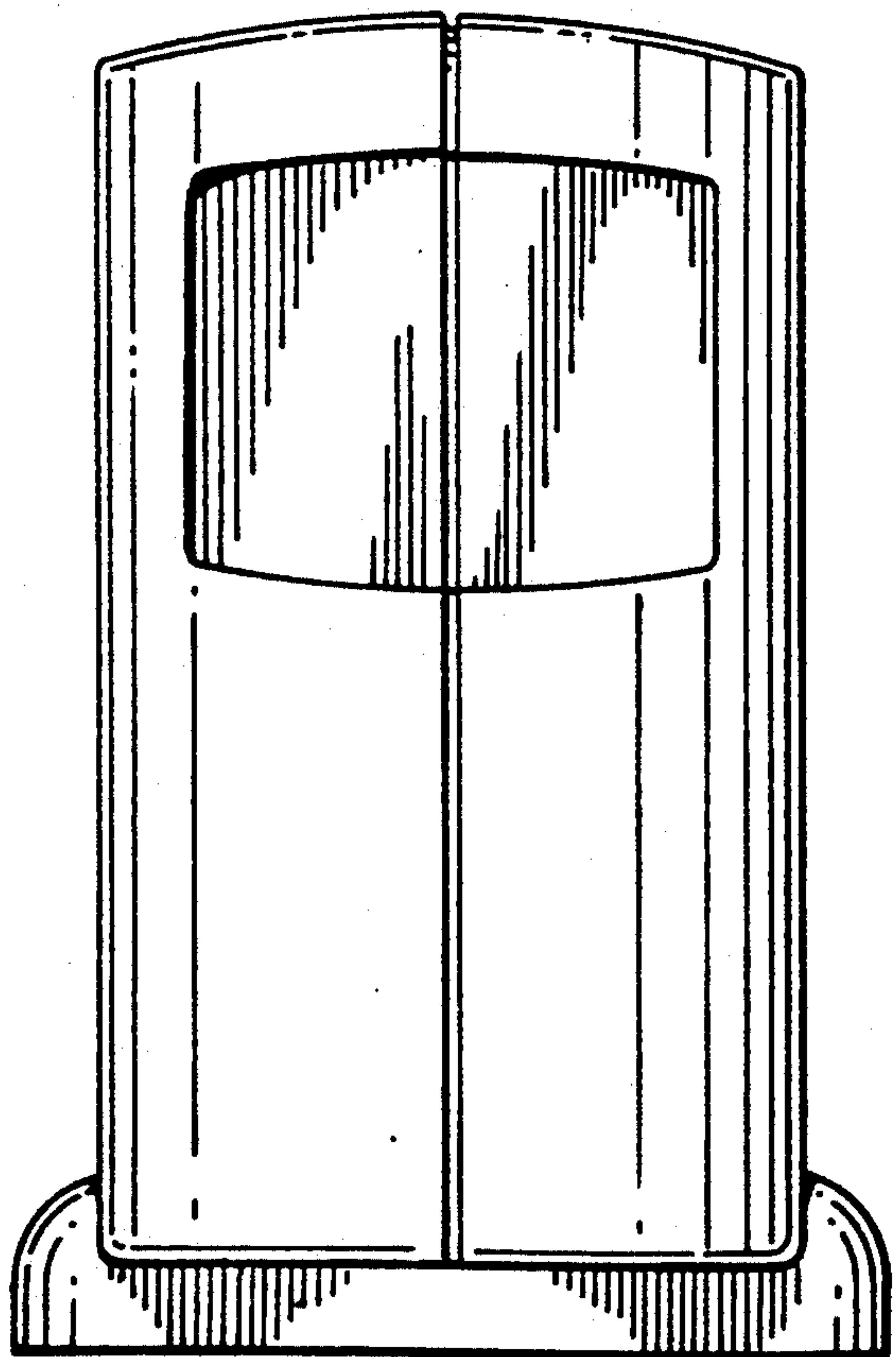


FIG. 3

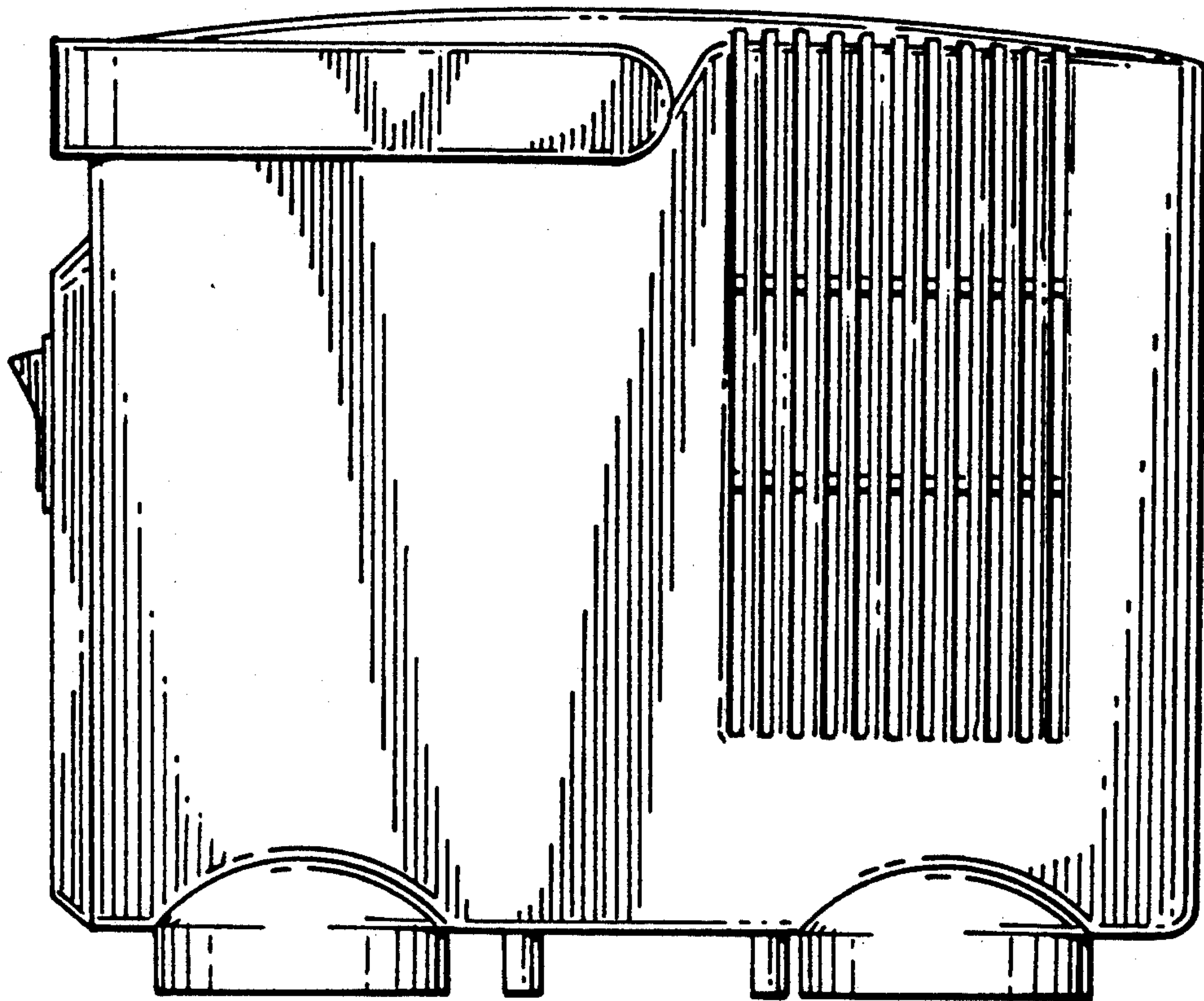


FIG. 4

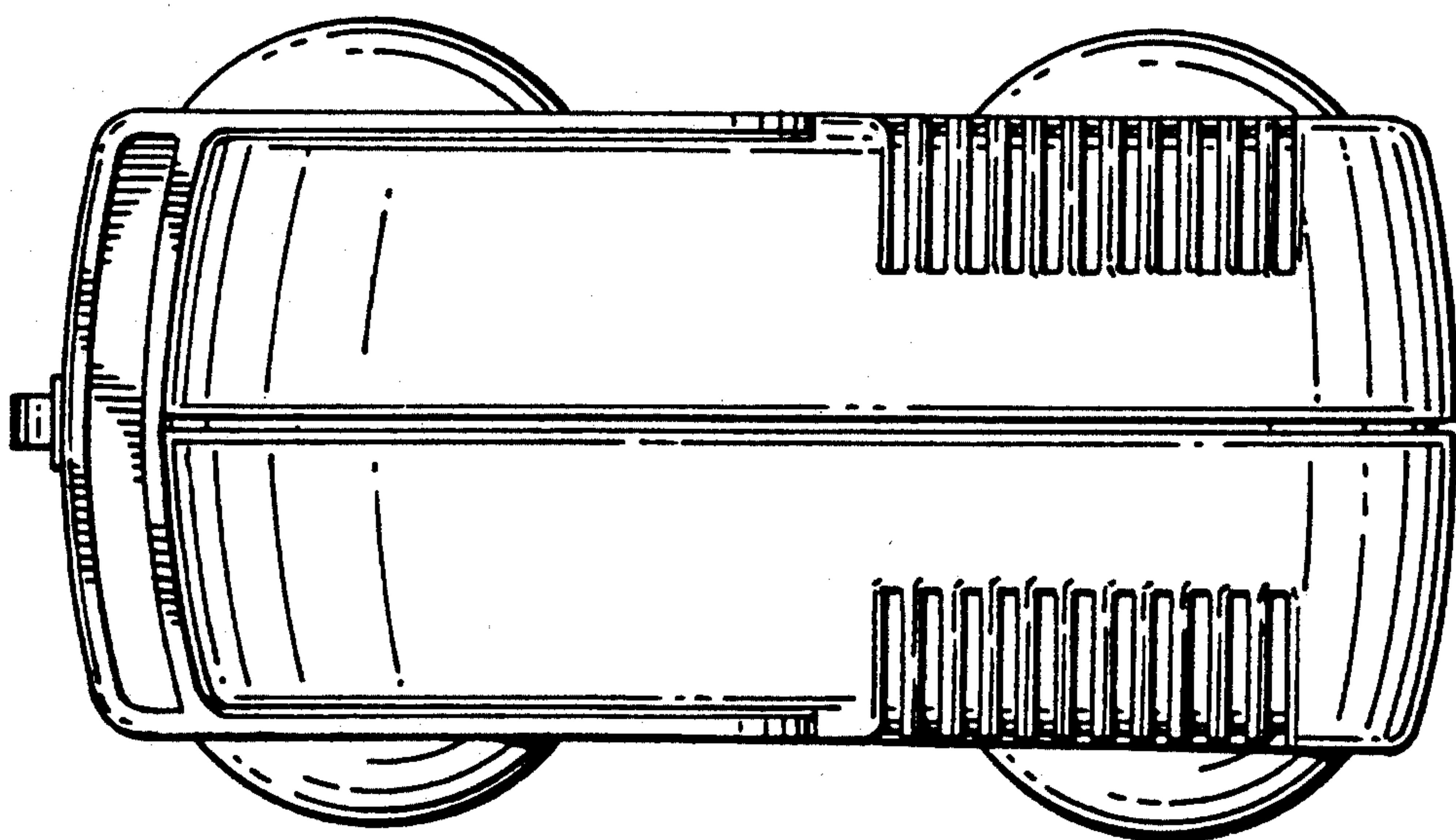


FIG. 5

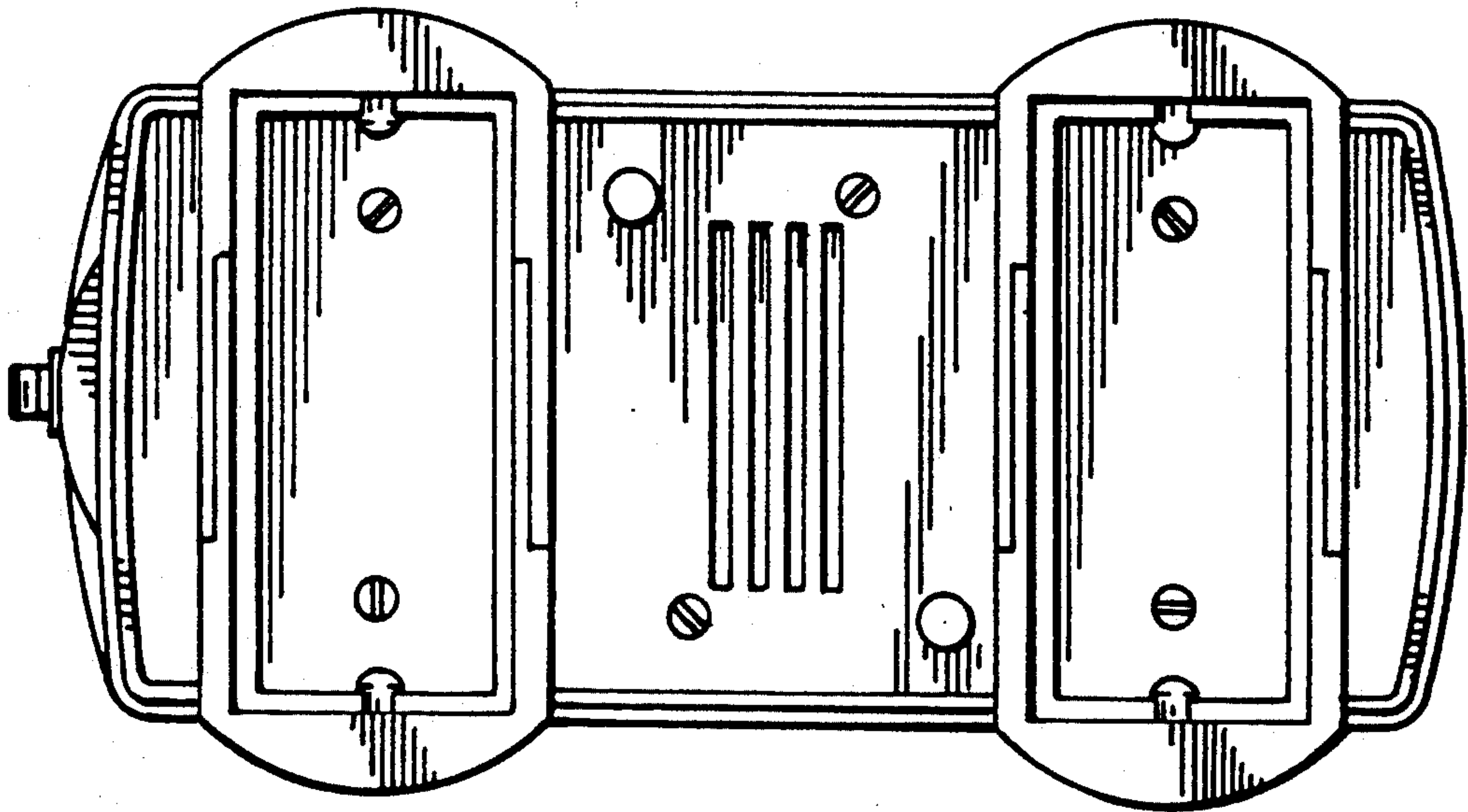


FIG. 6