



US00D339101S

# United States Patent [19]

[11] Patent Number: **Des. 339,101**

Delamoreaux et al.

[45] Date of Patent: **\*\* Sep. 7, 1993**

[54] **UNINTERRUPTIBLE POWER SUPPLY CONTROLLER**

[75] Inventors: **Murray I. Delamoreaux, Hoffman Estates; Thomas F. Sheridan, Elk Grove Village, both of Ill.**

[73] Assignee: **Oneac Corporation, Libertyville, Ill.**

[\*\*] Term: **14 Years**

[21] Appl. No.: **706,093**

[22] Filed: **May 28, 1991**

[52] U.S. Cl. .... **D13/110; D13/123**

[58] Field of Search ..... **D13/103, 110, 137, 184, D13/123, 162; 307/64, 66, 86; 363/37**

[56] **References Cited**

**U.S. PATENT DOCUMENTS**

- D. 225,751 1/1973 Urquhart et al. .... D13/110
- D. 226,011 1/1976 Urquhart et al. .... D13/110
- D. 303,664 9/1989 Harden et al. .... D13/184 X
- D. 311,899 11/1990 Lenzing et al. .... D13/103 X
- D. 314,174 1/1991 Wong ..... D13/147 X
- D. 316,396 4/1991 Decosse et al. .... D13/103 X

**OTHER PUBLICATIONS**

SPS on p. 34 of *Businessland* 9-86 catalog, Located in Examiner Nunn's office.

UPS on p. 45 of *Electrical Systems Design*, 7-89, Located in PTO Scientific Library.

Exide Micro UPS from 3-90 brochure, Located in examiner's office.

UPS on p. 34 of *Electrical Systems Design*, 5-90, Located in PTO Scientific Library.

*Primary Examiner*—Wallace R. Burke  
*Assistant Examiner*—Joel Sincavage  
*Attorney, Agent, or Firm*—Mason, Kolehmainen, Rathburn & Wyss

[57] **CLAIM**

The ornamental design for an uninterruptible power supply controller, as shown.

**DESCRIPTION**

FIG. 1 is a perspective view of an uninterruptible power supply controller showing our new design; FIG. 2 is a front view of the uninterruptible power supply controller; FIG. 3 is a left side view of the uninterruptible power supply controller; FIG. 4 is a rear elevational view of the uninterruptible power supply controller; FIG. 5 is a right side elevational view of the uninterruptible power supply controller; FIG. 6 is a top plan view of the uninterruptible power supply controller; FIG. 7 is a bottom view of the uninterruptible power supply controller; and, FIG. 8 is bottom, rear and right side perspective view of the uninterruptible power supply controller.

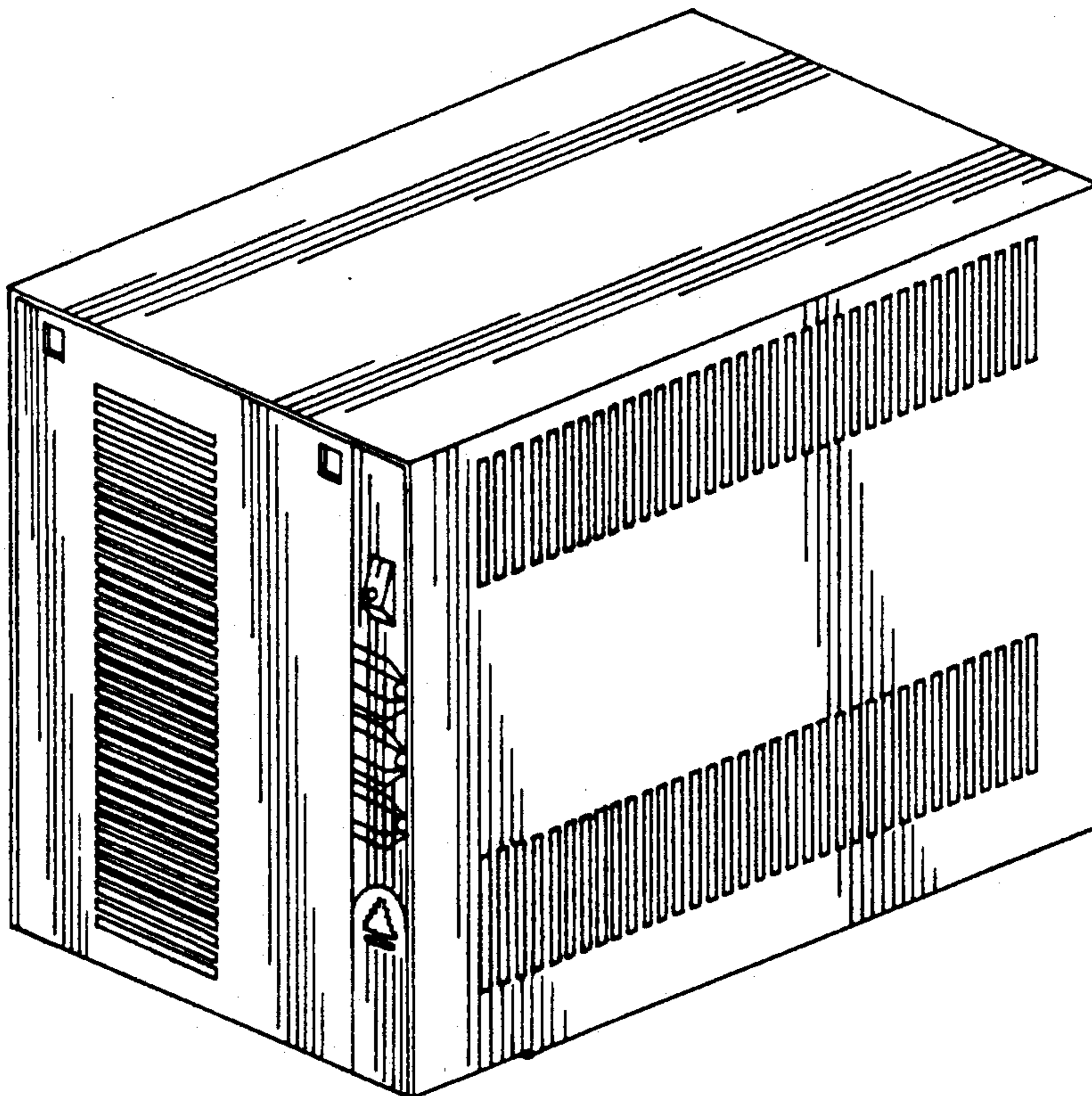


FIG. 1

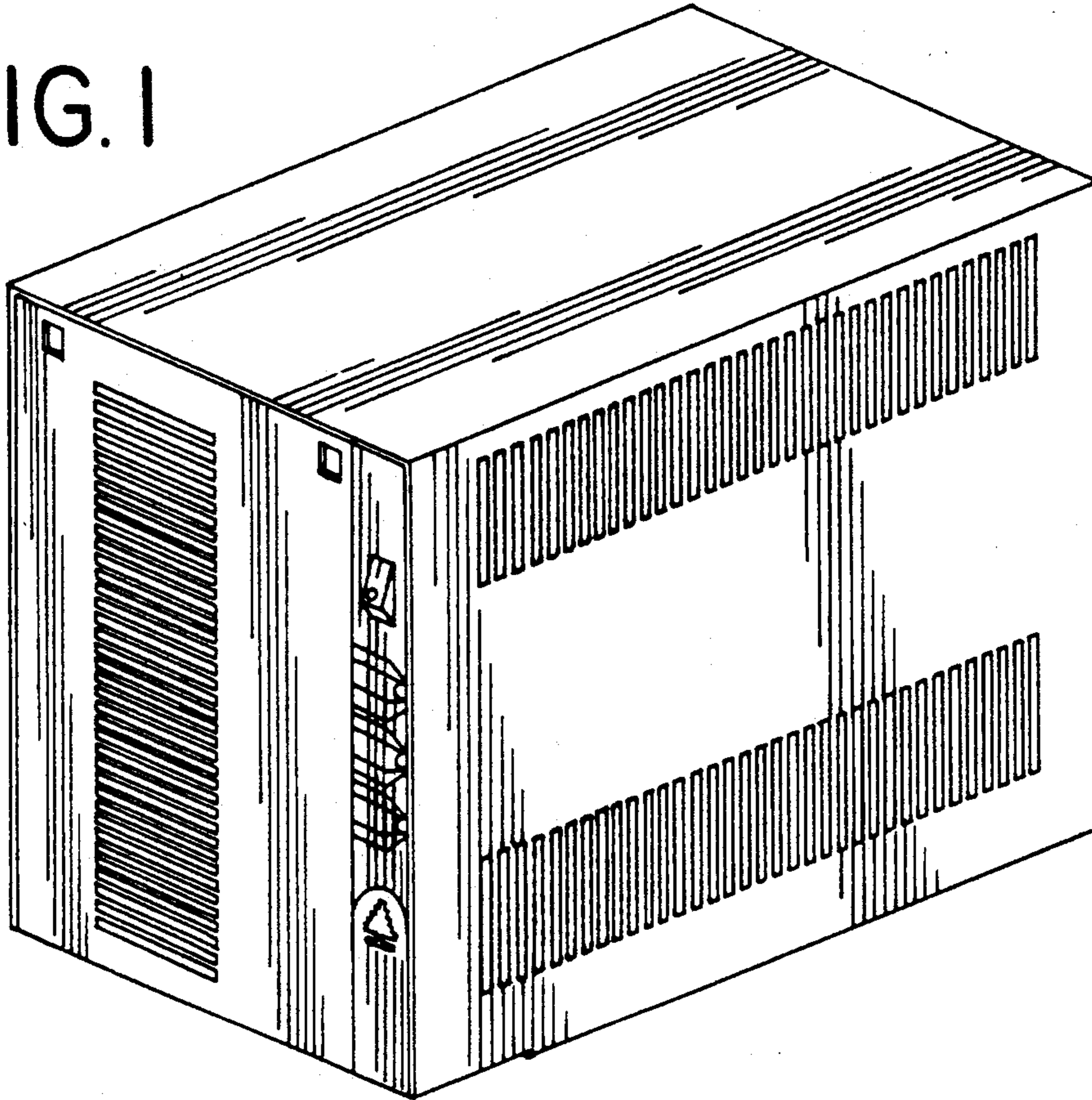


FIG. 2

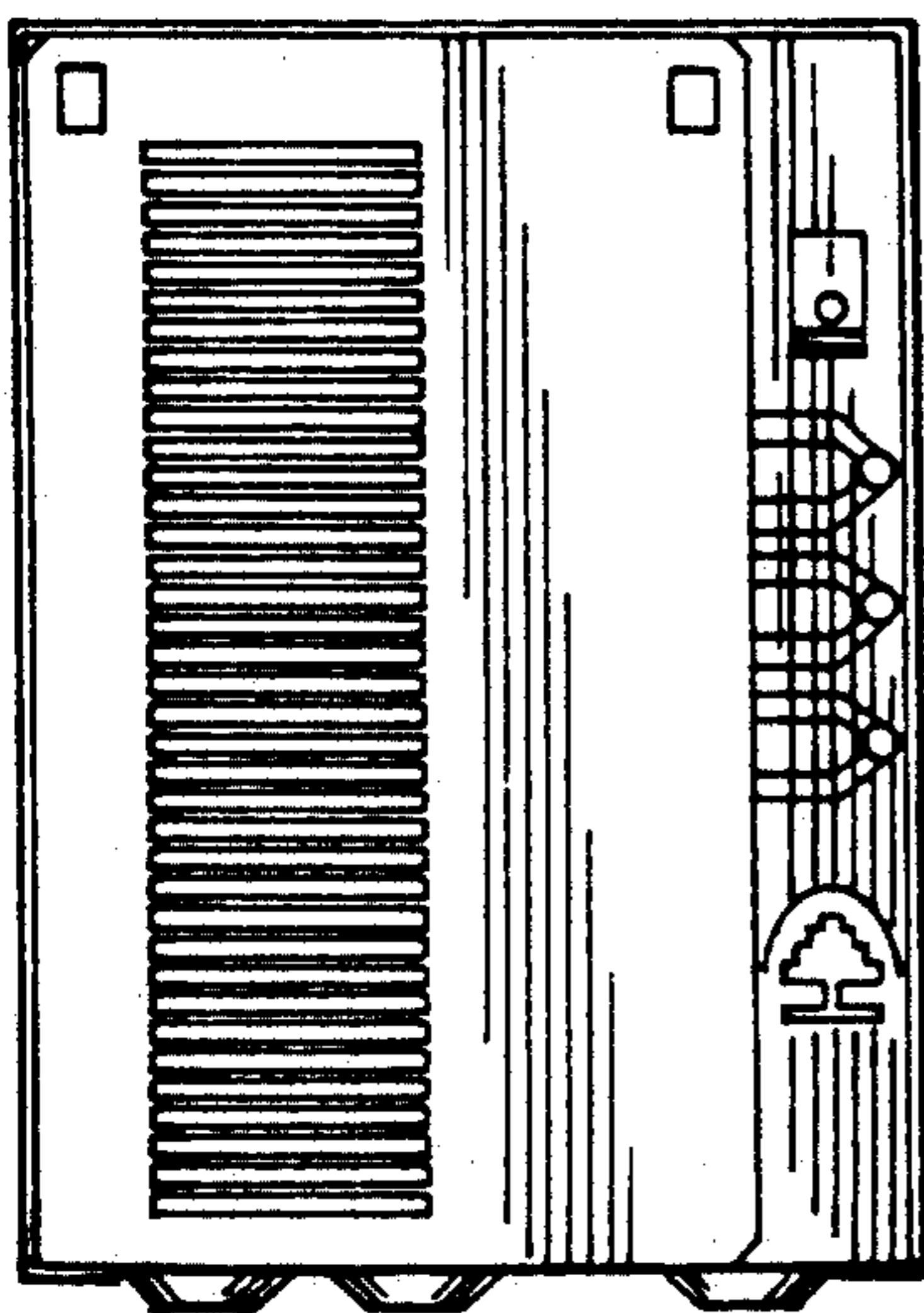


FIG. 3

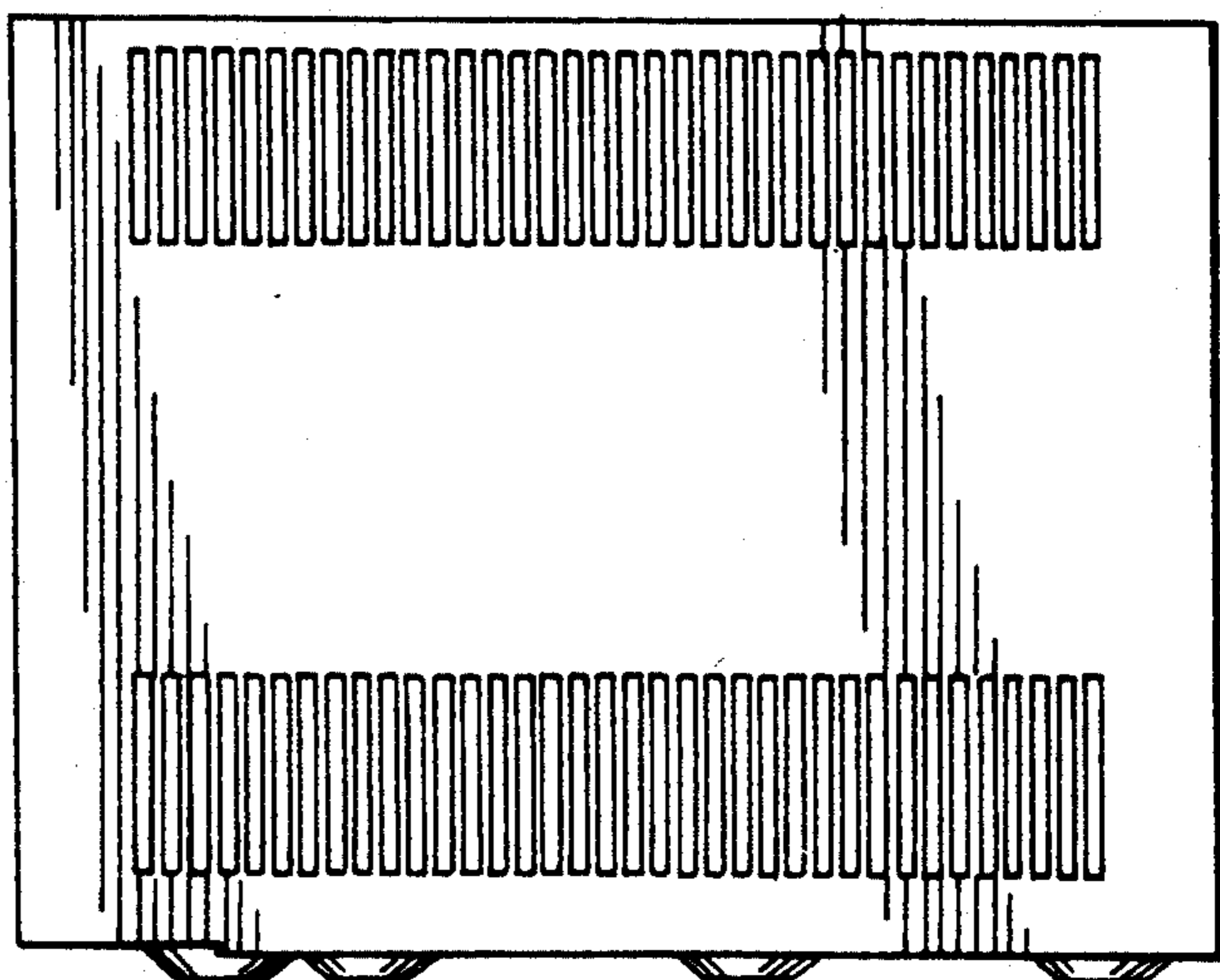


FIG. 4

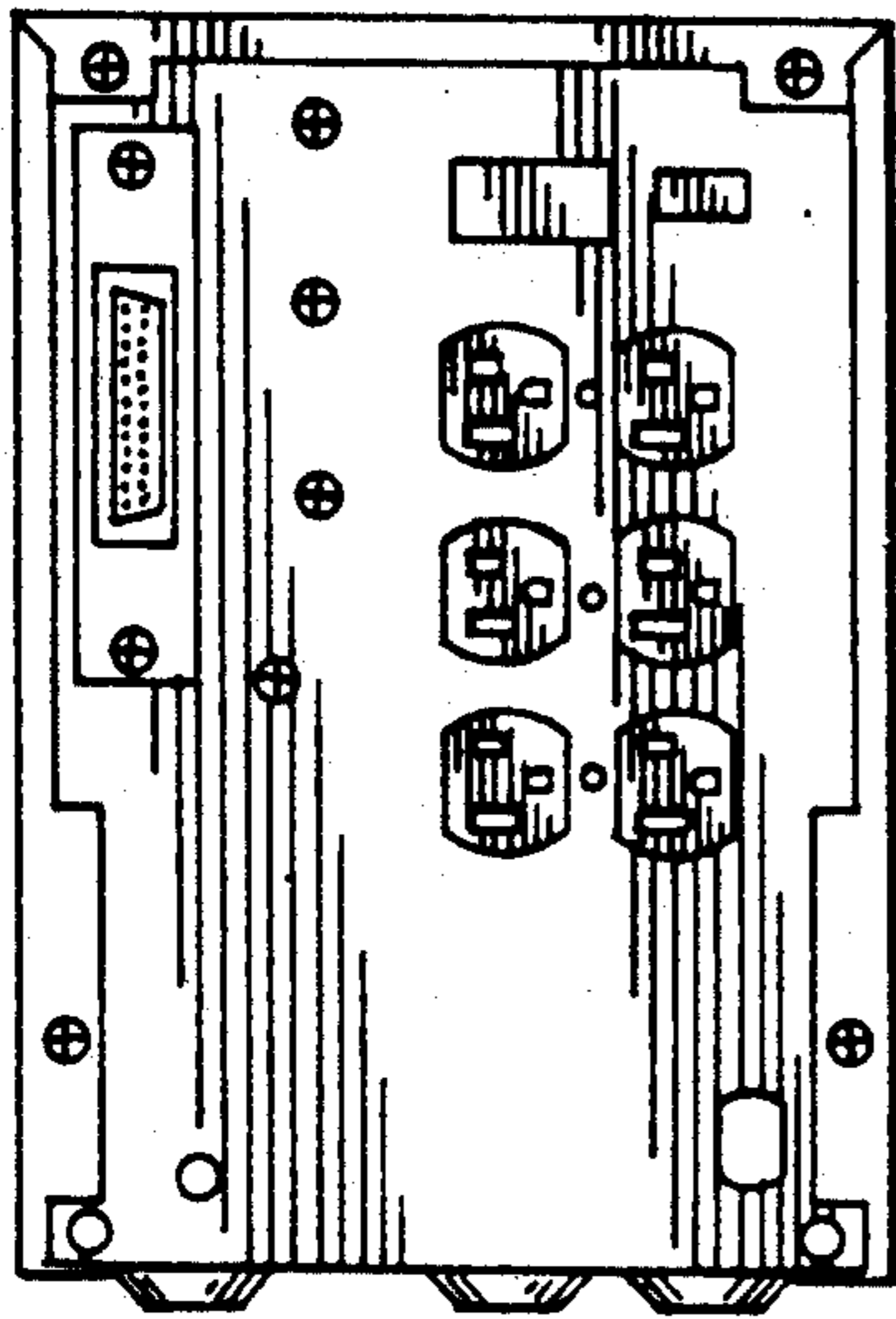


FIG. 5

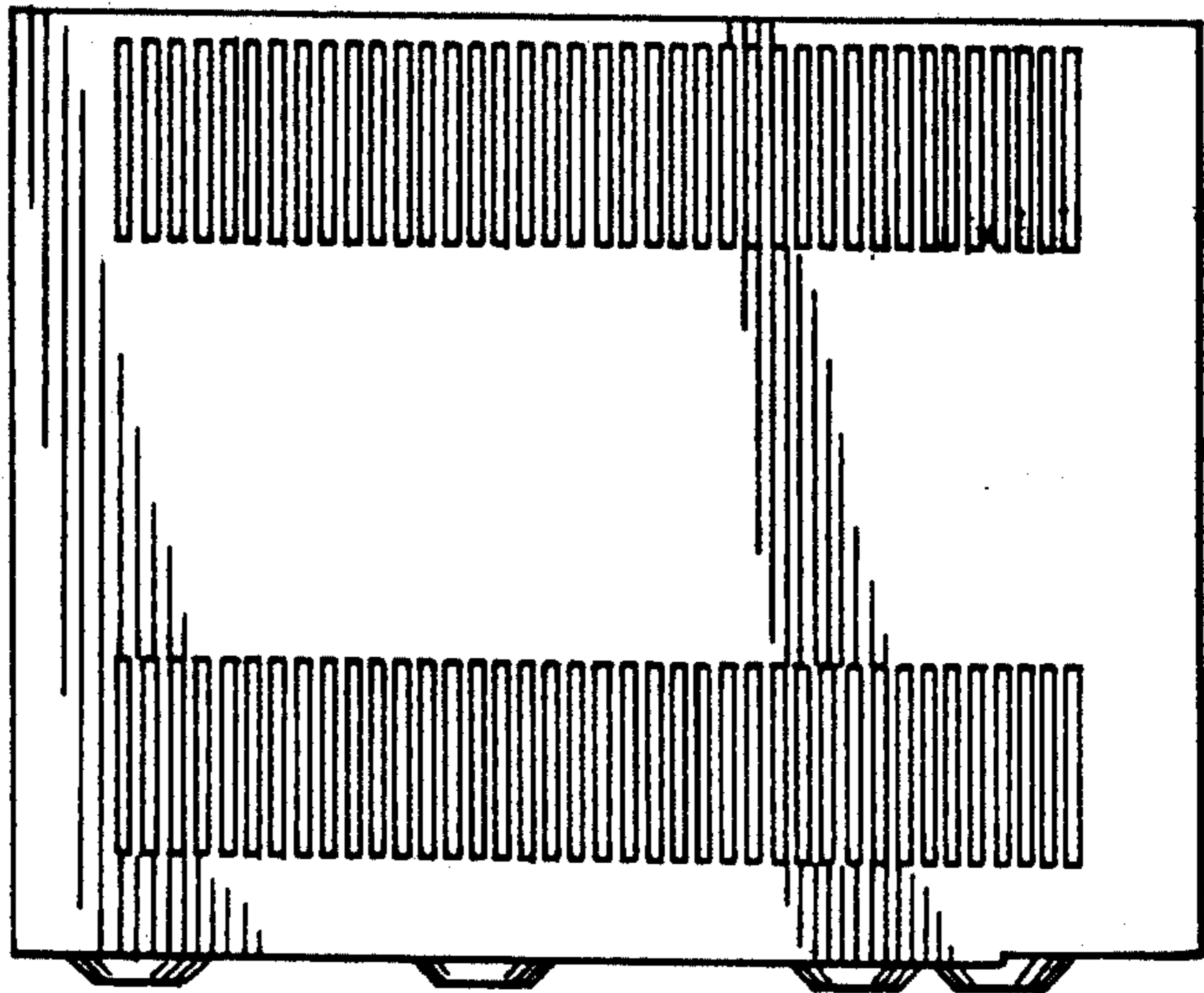


FIG. 6

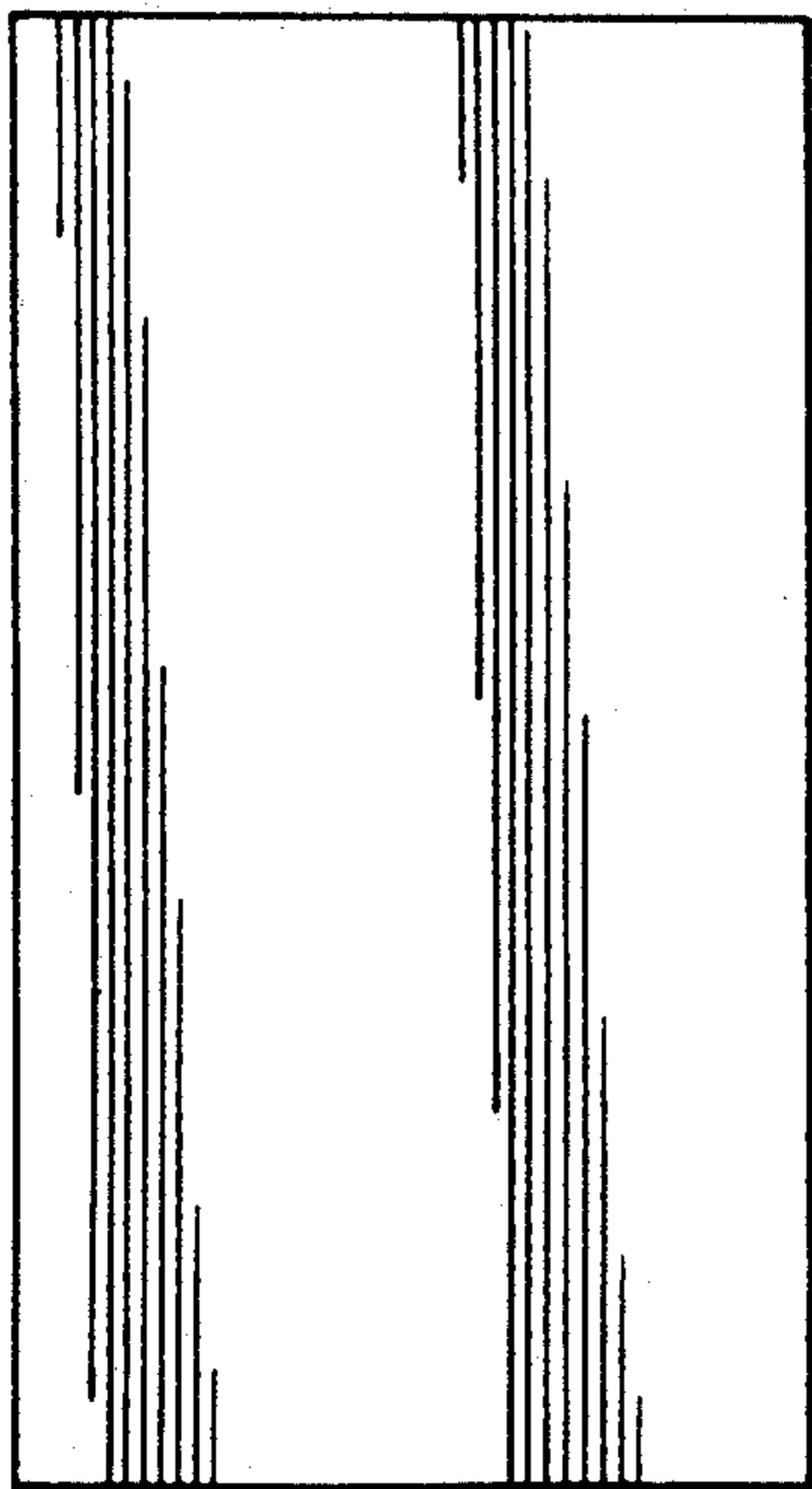


FIG. 7

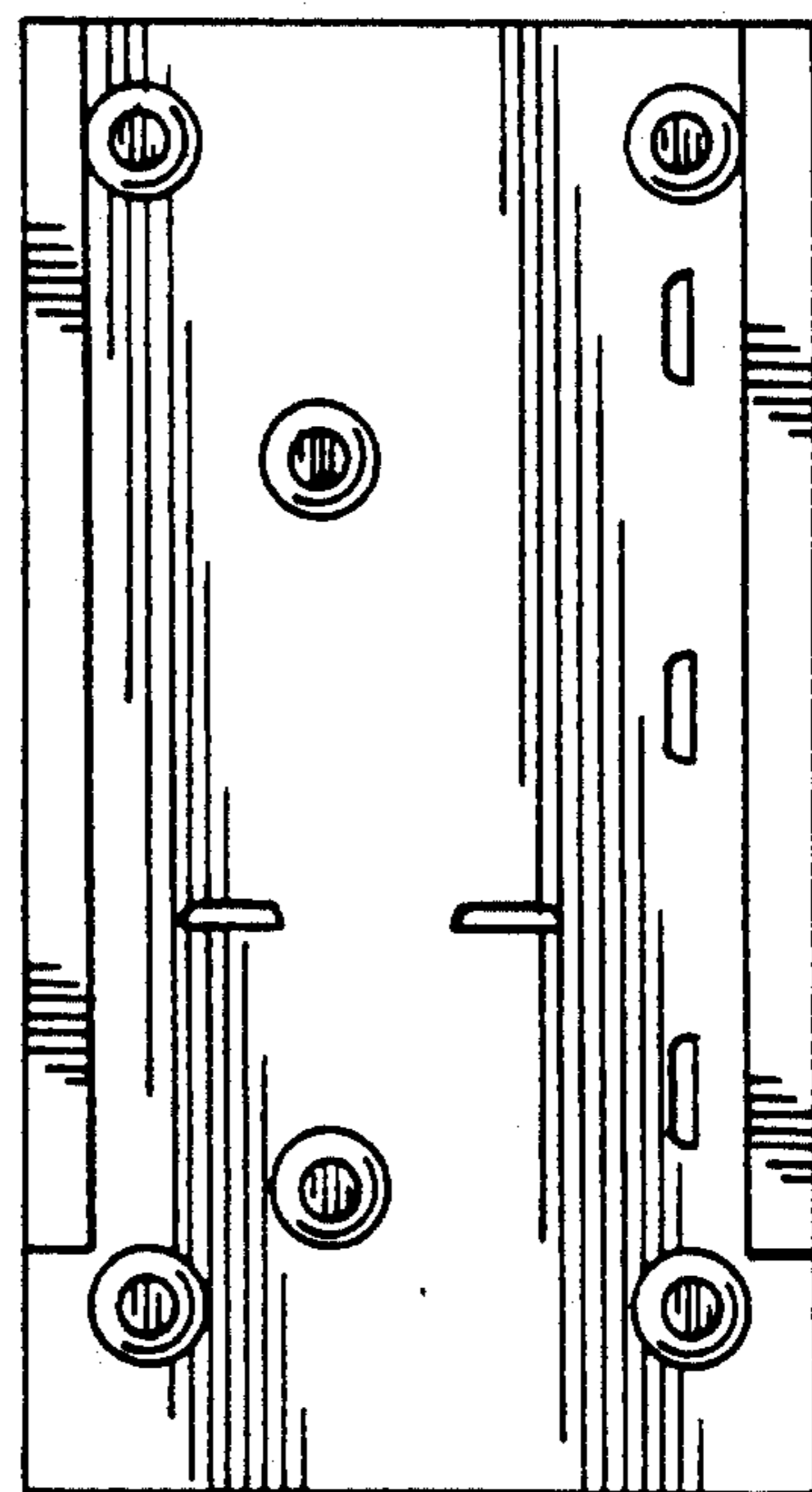


FIG. 8

