



US00D339100S

# United States Patent [19]

[11] Patent Number: Des. 339,100

Ansell et al.

[45] Date of Patent: \*\* Sep. 7, 1993

[54] **BATTERY PACK FOR A COMPUTER**

[75] Inventors: Daniel F. Ansell, Coral Springs; Hunter T. Foy, Boca Raton, both of Fla.

[73] Assignee: International Business Machines Corporation, Armonk, N.Y.

[\*\*] Term: 14 Years

[21] Appl. No.: 778,716

[22] Filed: Oct. 18, 1991

[52] U.S. Cl. .... D13/103

[58] Field of Search ..... D13/103; 379/413, 428, 379/440, 441, 442; 320/2; 429/96, 97, 99, 100, 123, 163, 178

[56] **References Cited**

**U.S. PATENT DOCUMENTS**

D. 236,493	8/1975	Kayle	.....	D13/103
D. 283,812	5/1986	Liautaud et al.	.....	D13/103
4,123,598	10/1978	Hammel	.....	429/99 X
4,510,215	4/1985	Adam	.....	D13/103 X
4,532,194	7/1985	Liautaud et al.	.....	429/99
4,558,270	12/1985	Liautaud et al.	.....	320/2

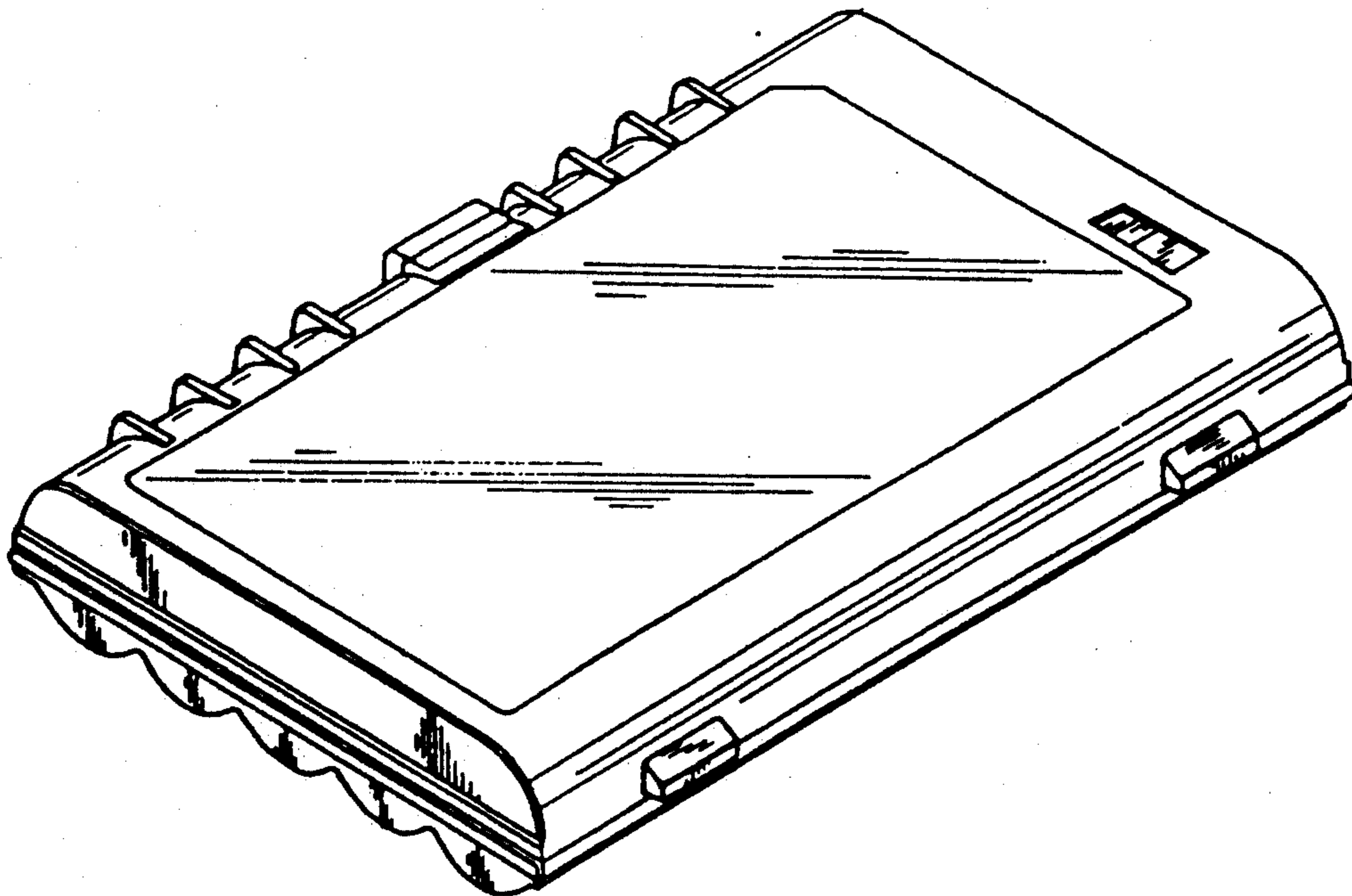
*Primary Examiner*—Wallace R. Burke  
*Assistant Examiner*—Joel Sincavage  
*Attorney, Agent, or Firm*—George E. Grosser

[57] **CLAIM**

The ornamental design for the battery pack for a computer, as shown.

**DESCRIPTION**

FIG. 1 is a rear, lower, right side perspective view of the battery pack for a computer of the present invention;  
FIG. 2 is a bottom view of the battery pack of the present invention;  
FIG. 3 is a rear elevation view of the battery pack of the present invention;  
FIG. 4 is a front elevation view of the battery pack of the present invention;  
FIG. 5 is the left side elevation view of the battery pack of the present invention;  
FIG. 6 is a right side elevation view of the battery pack of the present invention;  
FIG. 7 is a top plan view of the battery pack of the present invention; and,  
FIG. 8 is a front, upper, left side perspective view of the battery pack of the present invention.



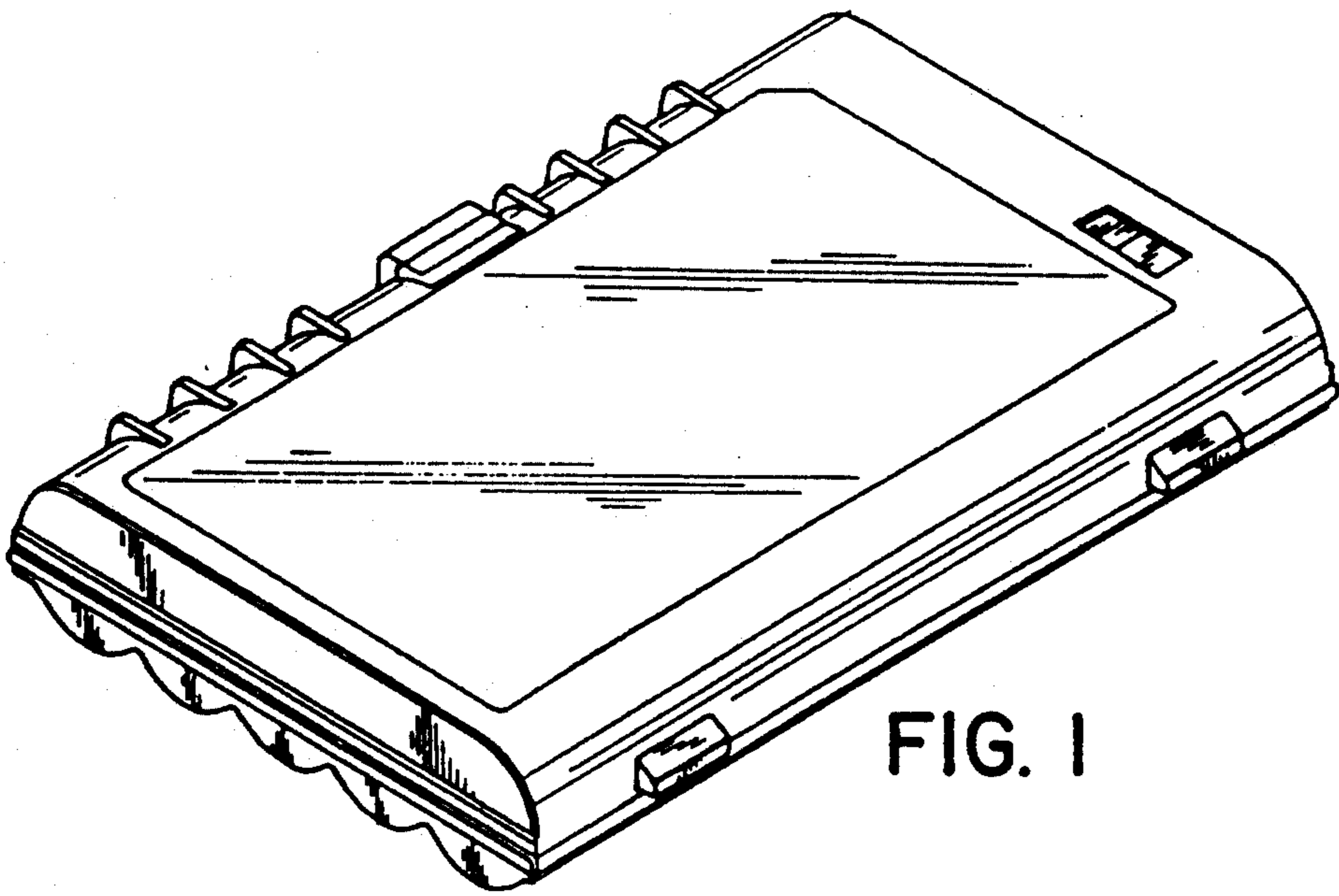


FIG. 1

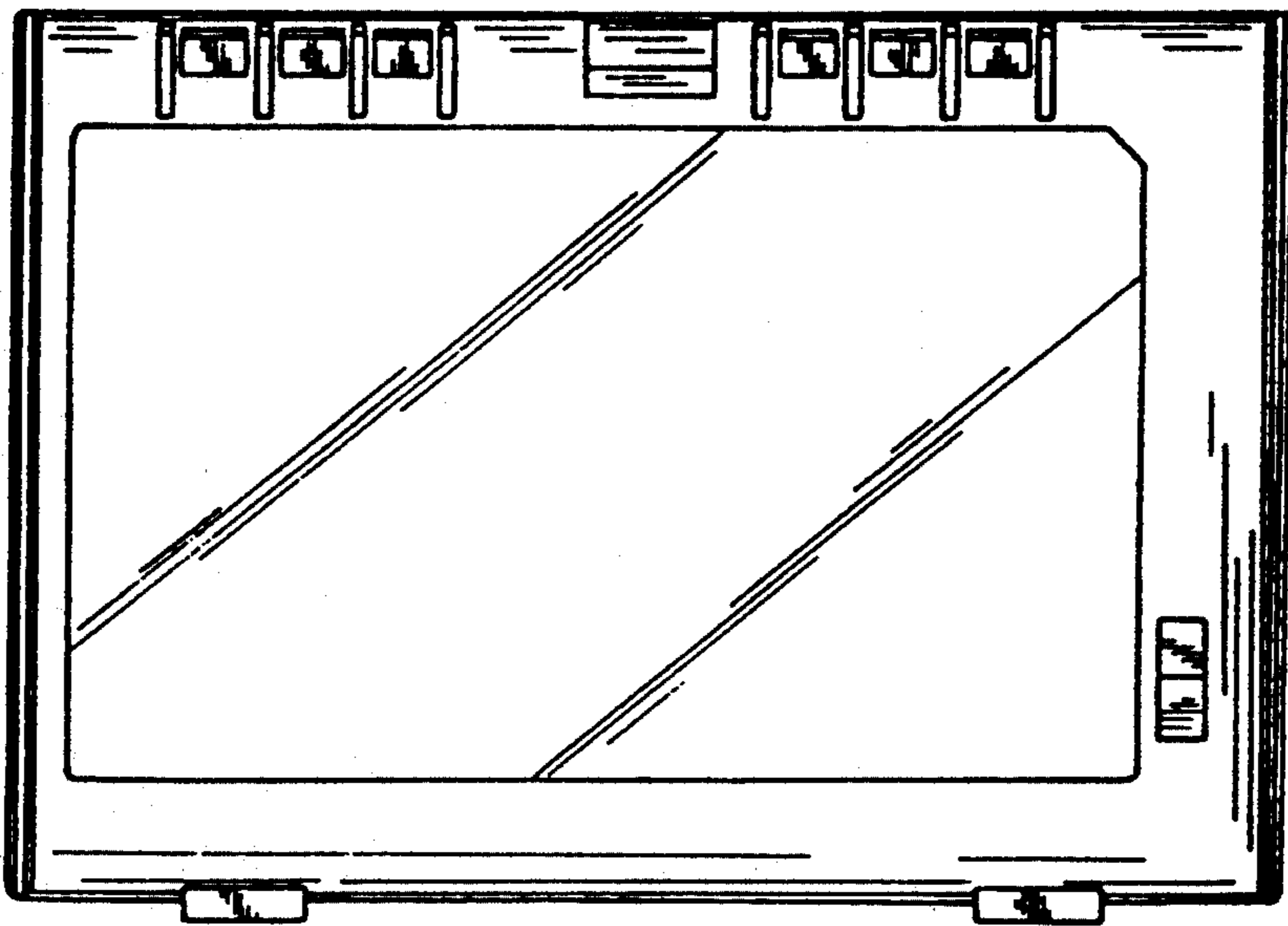


FIG. 2

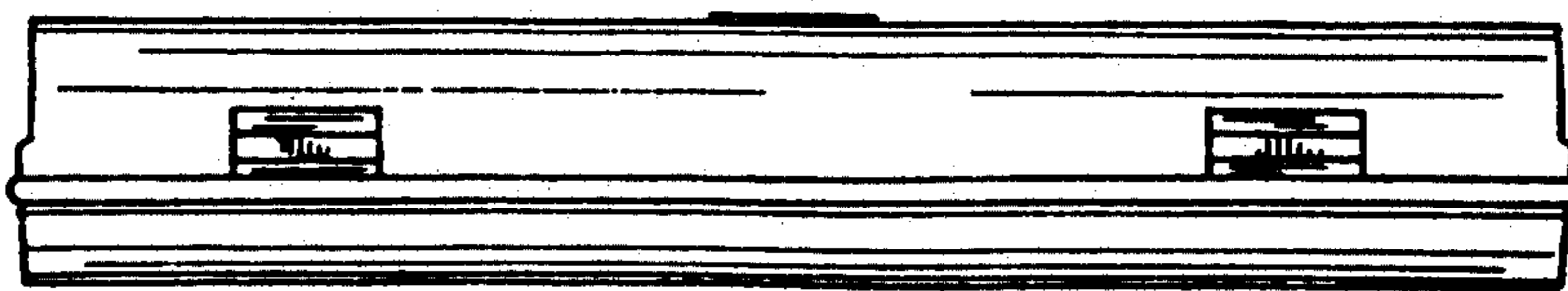


FIG. 3

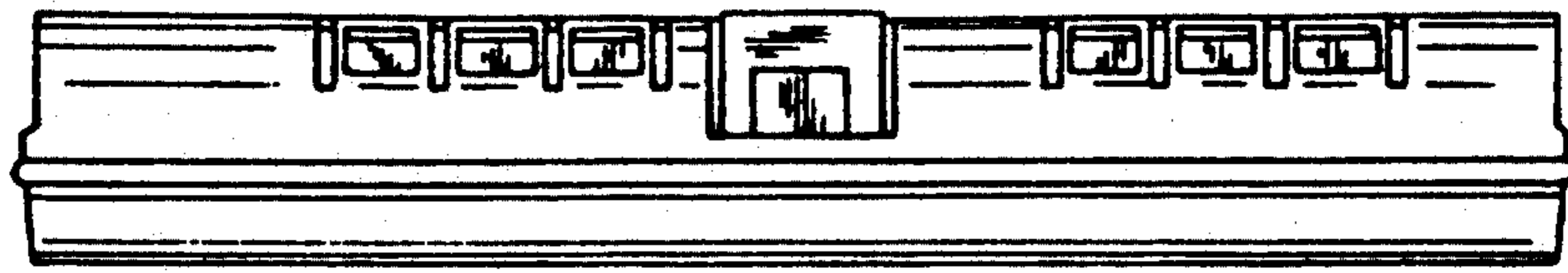


FIG. 4

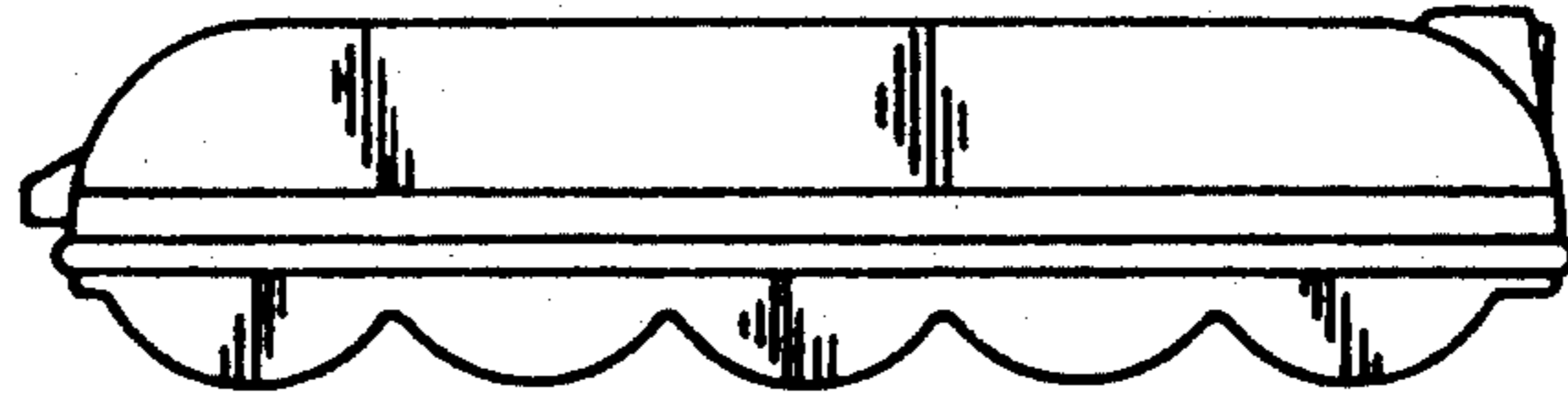


FIG. 5

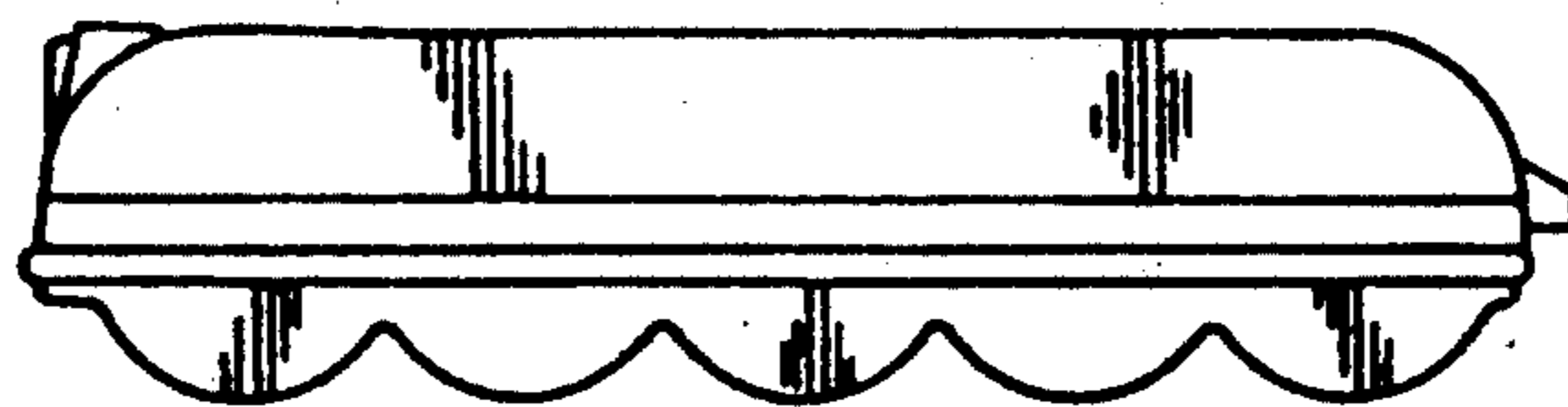


FIG. 6

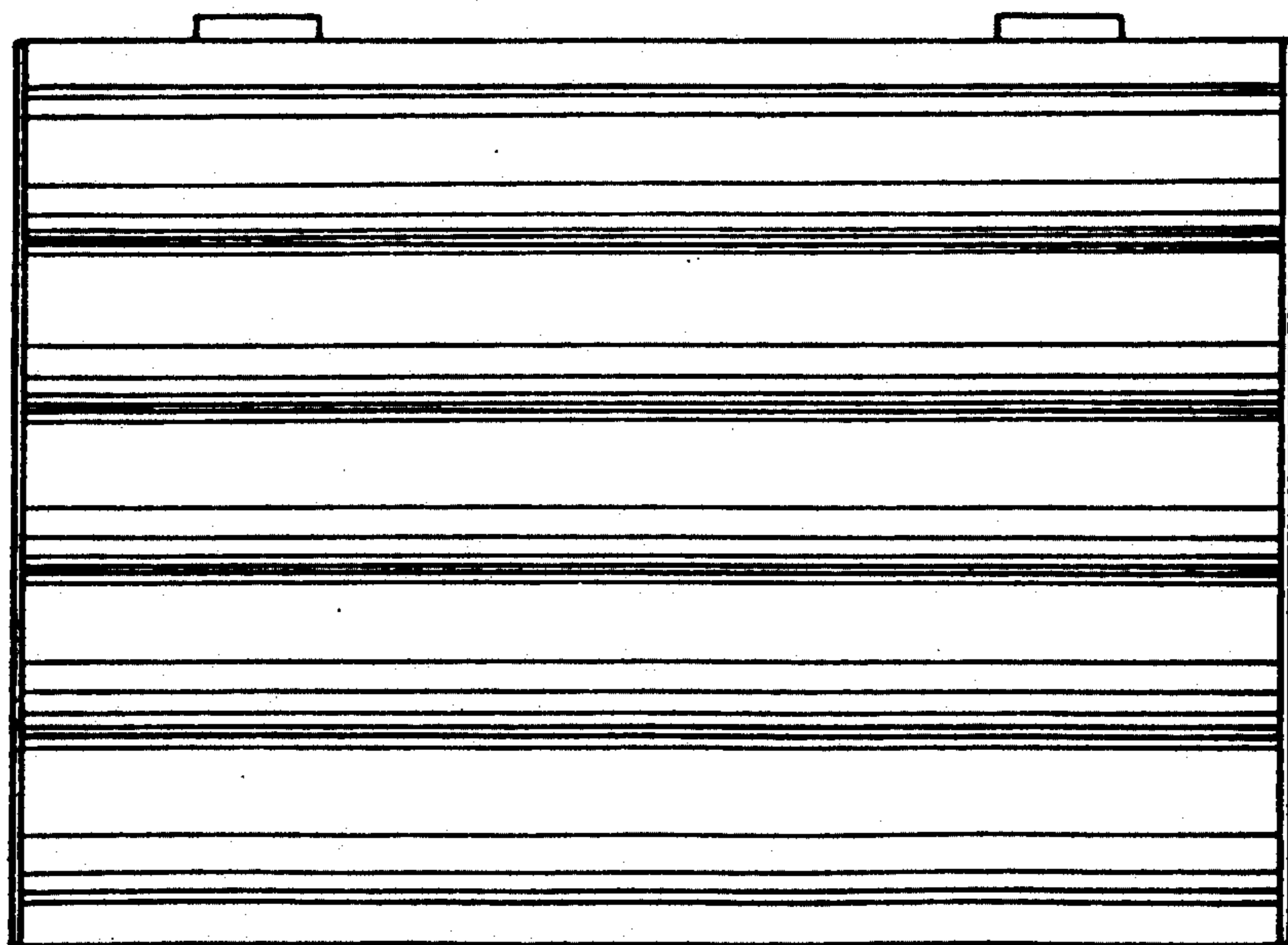


FIG. 7

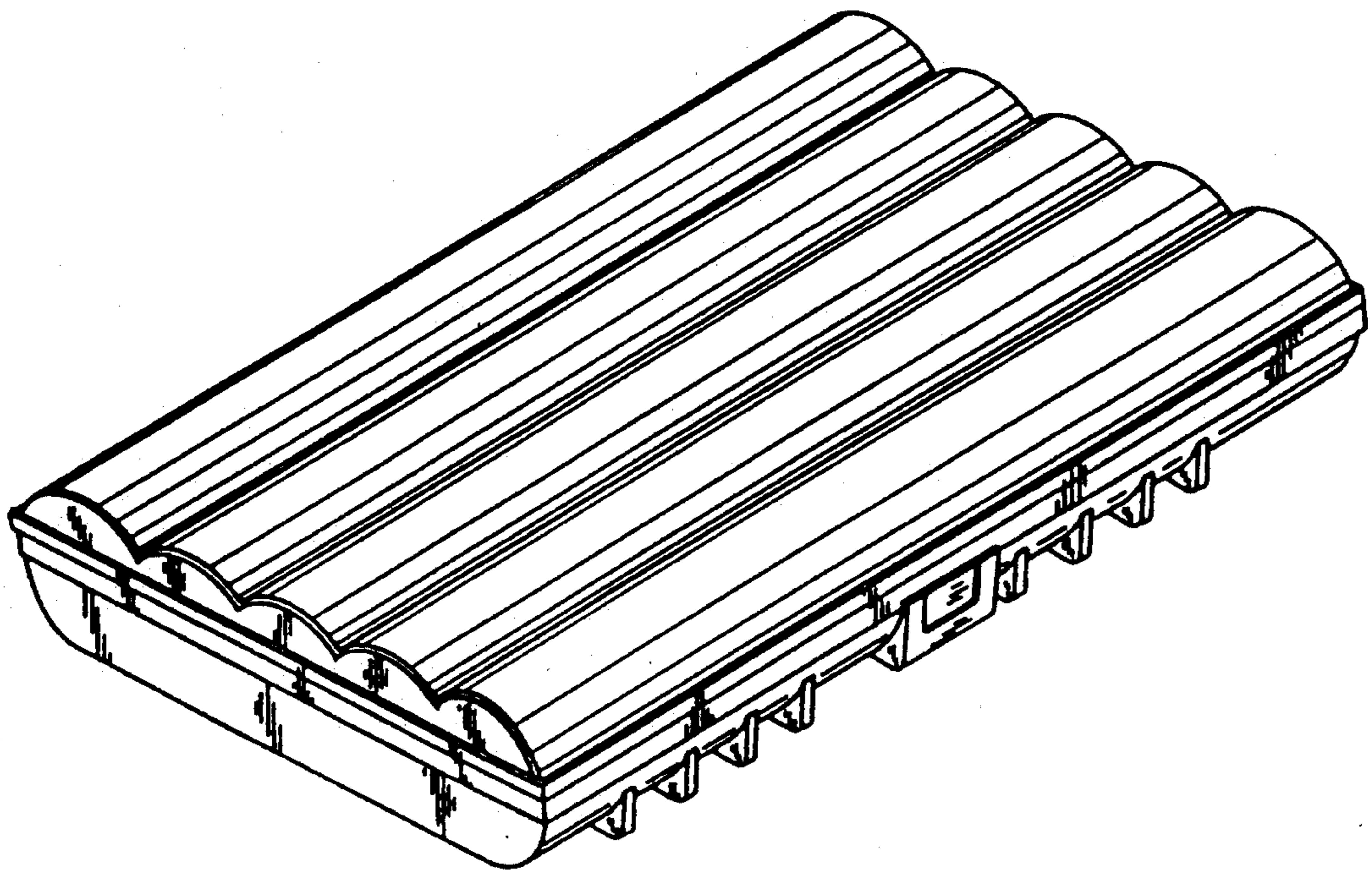


FIG. 8