



US00D339077S

United States Patent [19]

Chrétien

[11] Patent Number: **Des. 339,077**

[45] Date of Patent: **** Sep. 7, 1993**

[54] **STATIC ELECTRICITY COUNTING METER**

[75] Inventor: **Philippe Chrétien, Zürich, Switzerland**

[73] Assignee: **Zellweger Uster AG, Uster, Switzerland**

[**] Term: **14 Years**

[21] Appl. No.: **762,226**

[22] Filed: **Sep. 19, 1991**

[30] **Foreign Application Priority Data**

Mar. 27, 1991 [CH] Switzerland 11.858

[52] U.S. Cl. **D10/75**

[58] Field of Search **D10/75, 96-100; 73/1 R, 483; 324/156, 107, 103 R, 142, 26 R; 364/483; 377/126**

[56] **References Cited**

U.S. PATENT DOCUMENTS

D. 194,786 3/1963 Leotta **D10/75 X**

D. 227,901 7/1973 Slocum, Jr. **D10/75**

D. 235,779	7/1975	Barr	D10/75 X
D. 243,932	4/1977	Warren	D10/78
3,569,678	3/1971	Ende	377/126
4,356,553	10/1982	Steinle et al.	364/483
5,061,890	10/1991	Longini	324/107

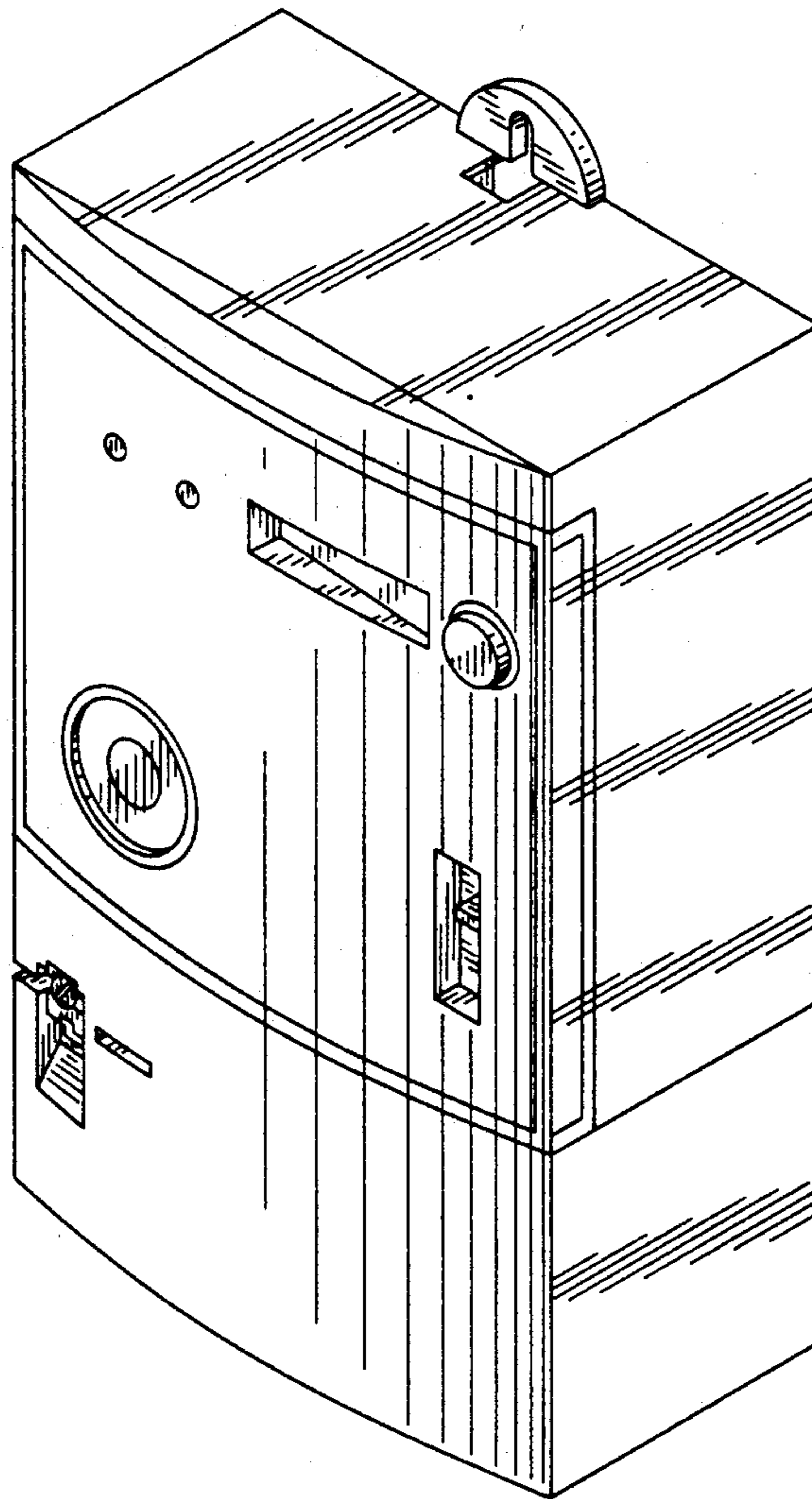
Primary Examiner—Alan P. Douglas
Assistant Examiner—Antoine D. Davis
Attorney, Agent, or Firm—Burns, Doane, Swecker & Mathis

[57] **CLAIM**

The ornamental design for a static electricity counting meter, as shown and described.

DESCRIPTION

FIG. 1 is a top, front perspective view of an static electricity counting meter showing my new design; FIG. 2 is a front elevational view thereof; FIG. 3 is a right side elevational view thereof; FIG. 4 is a left side elevational view thereof; FIG. 5 is a rear elevational view thereof; FIG. 6 is a top plan view thereof; and, FIG. 7 is a bottom plan view thereof.



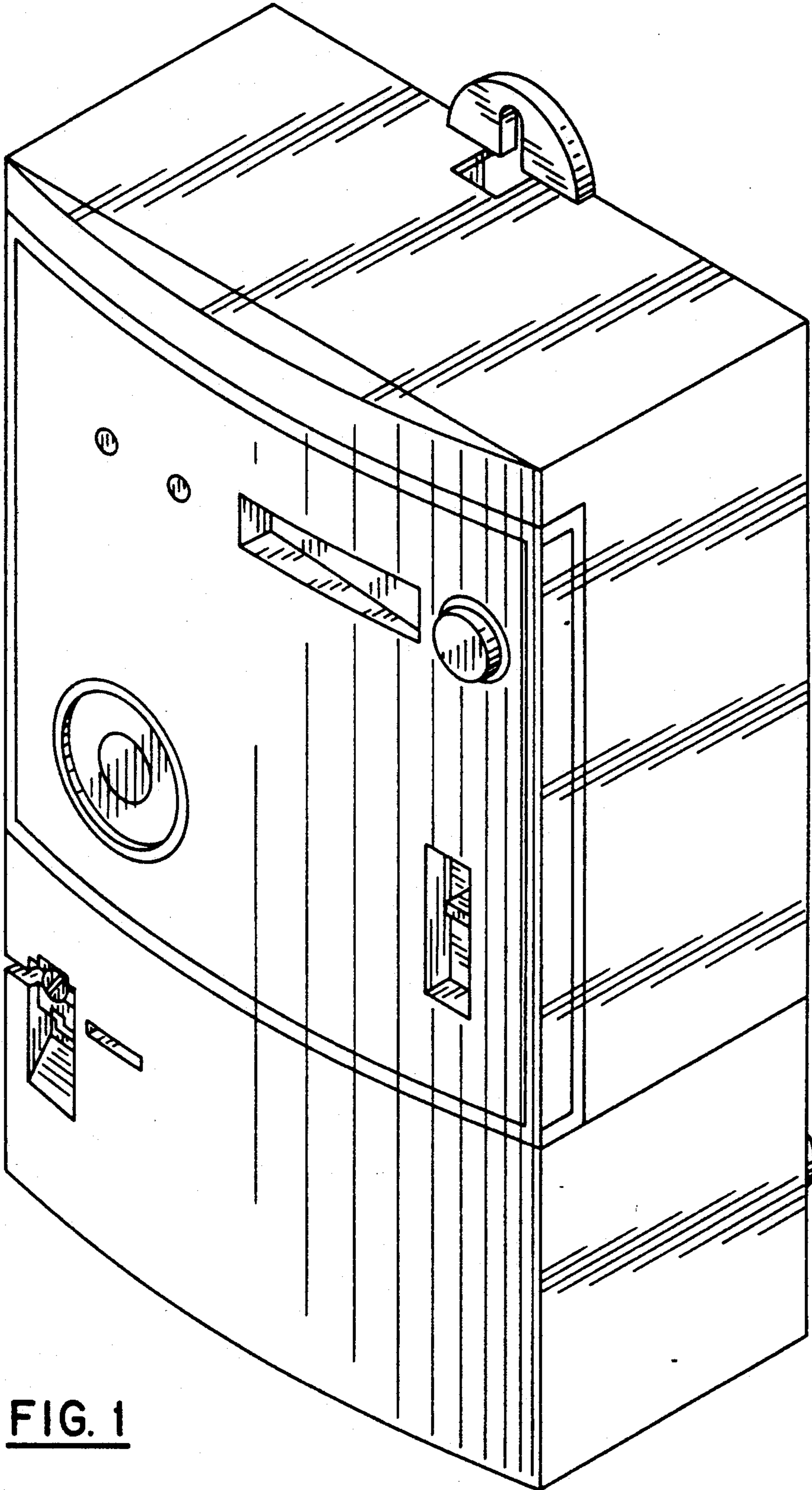


FIG. 1

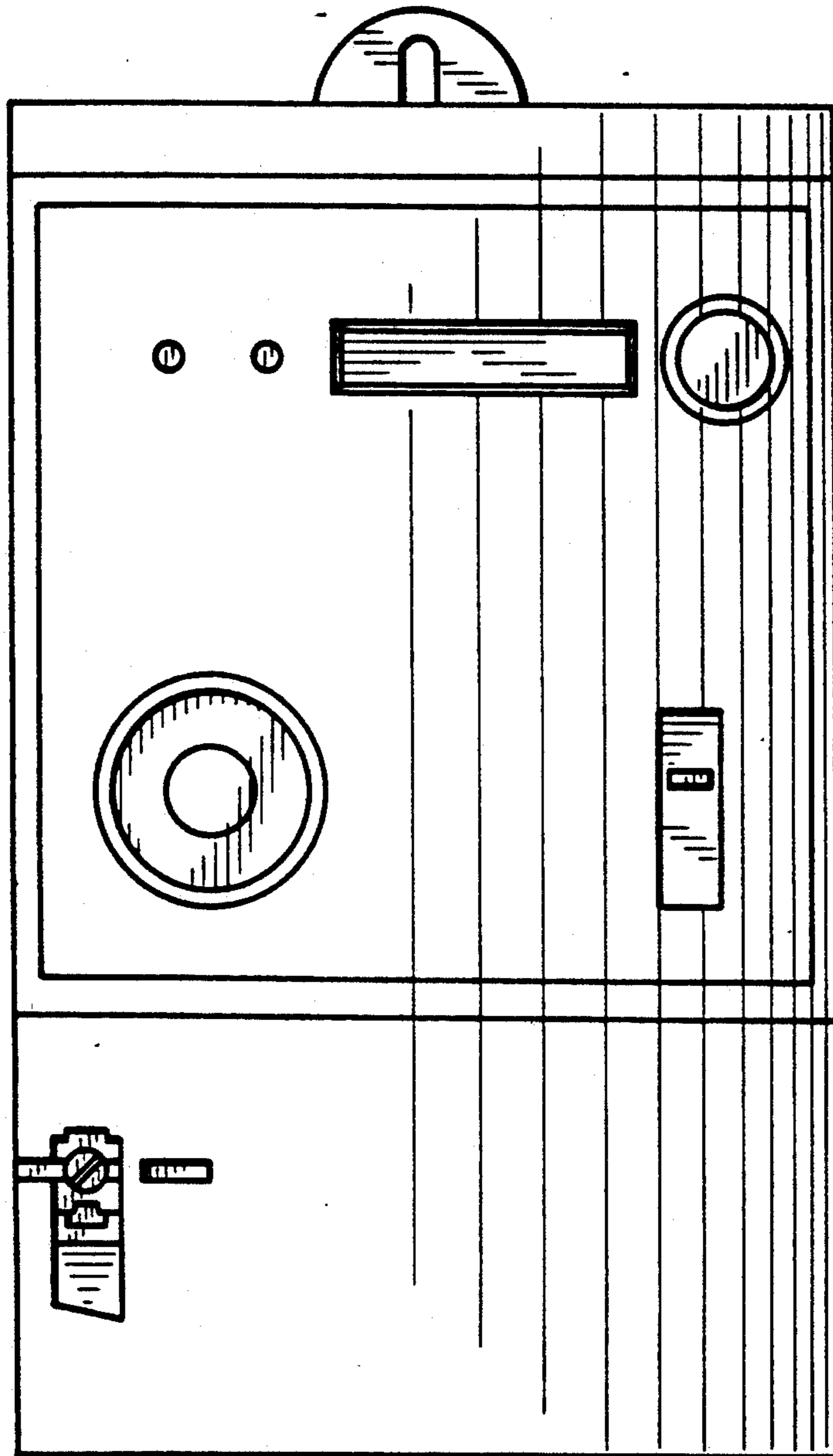


FIG. 2

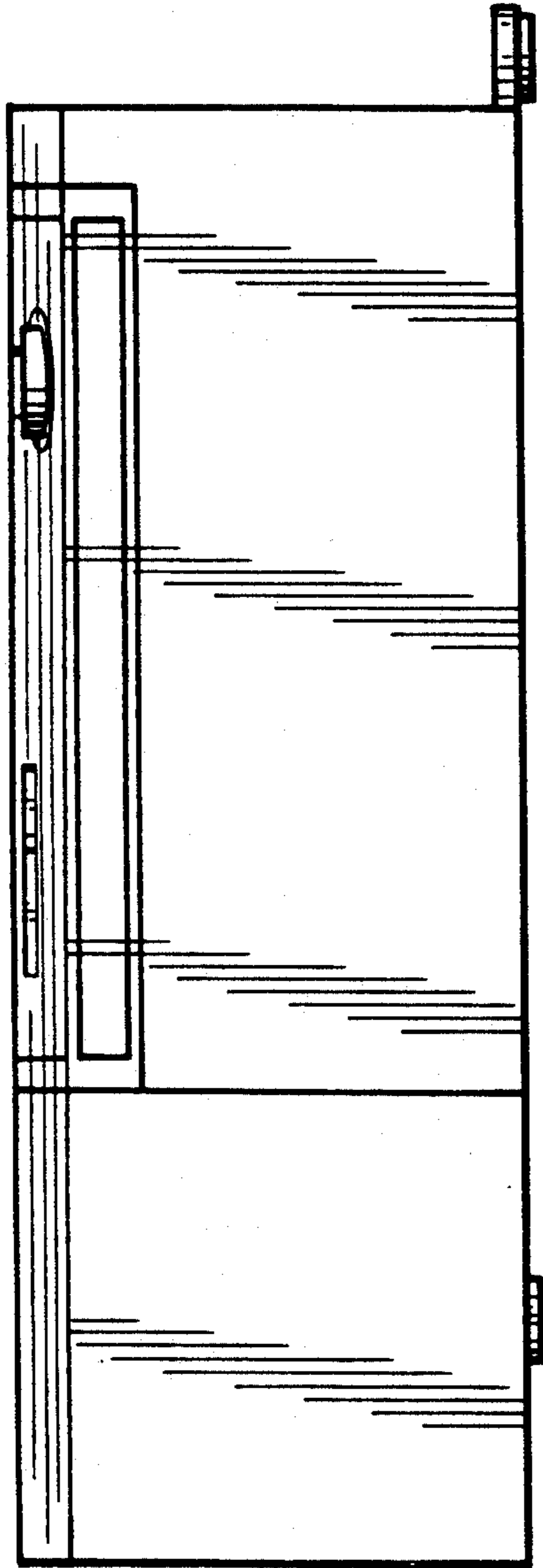


FIG. 3

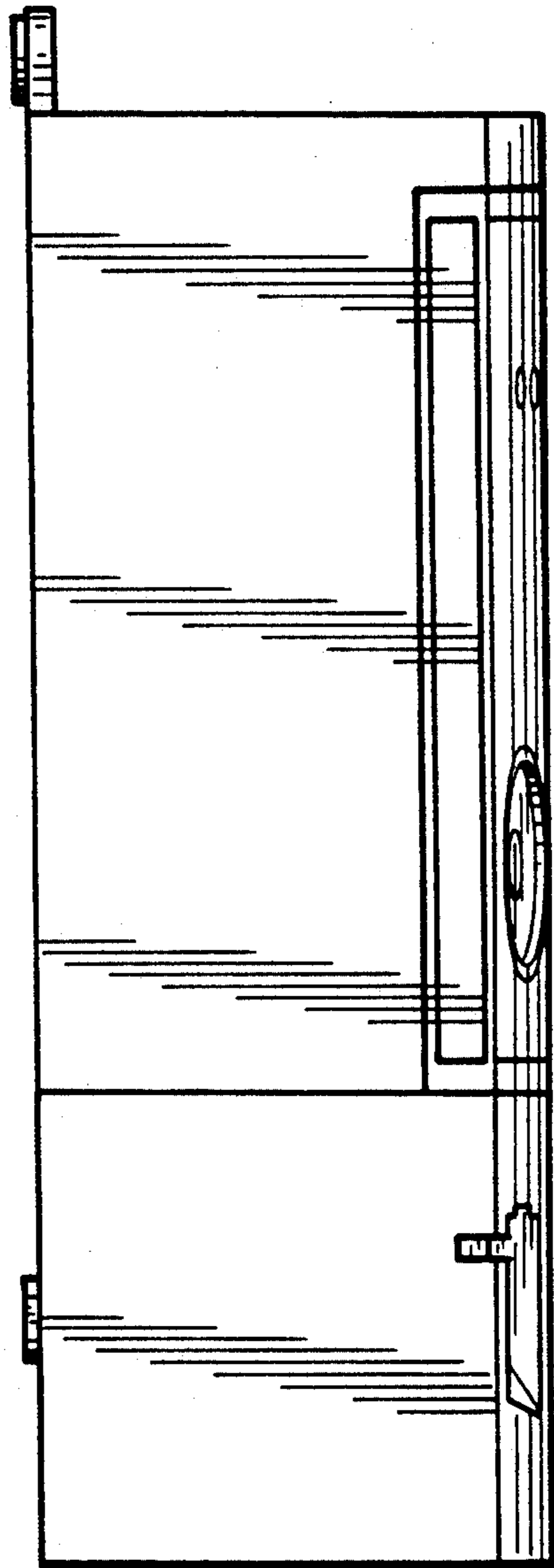


FIG. 4

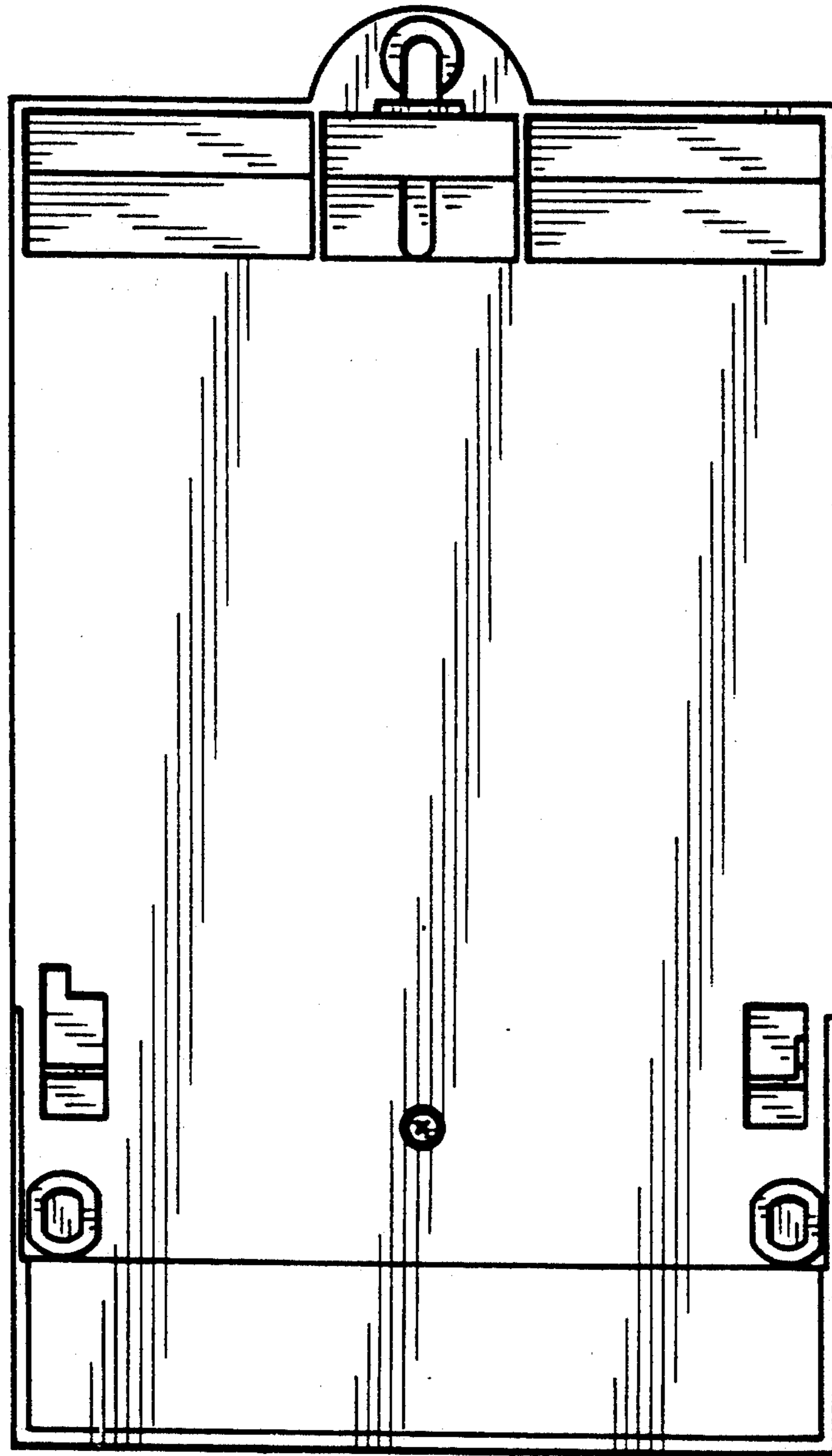


FIG. 5

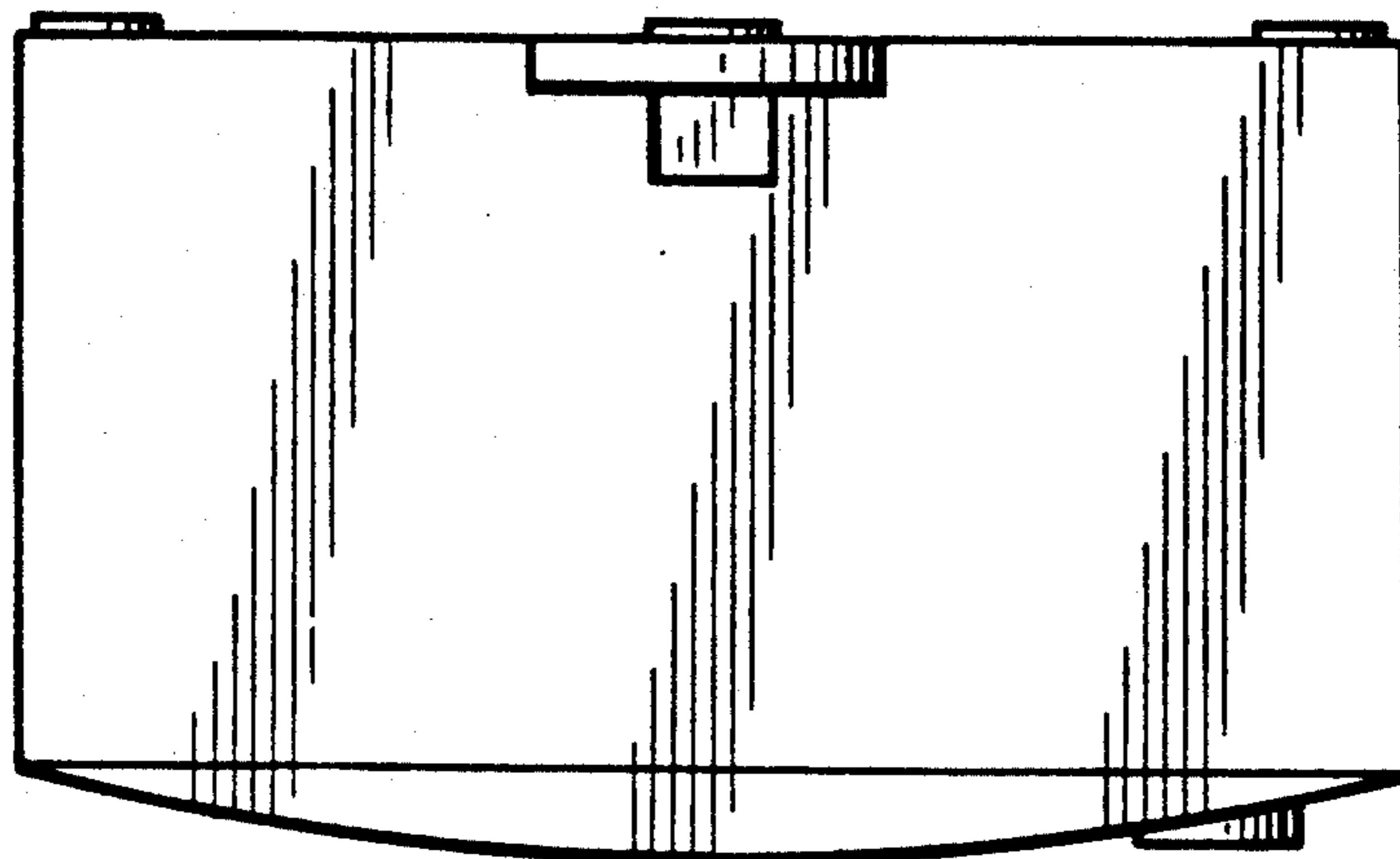


FIG. 6

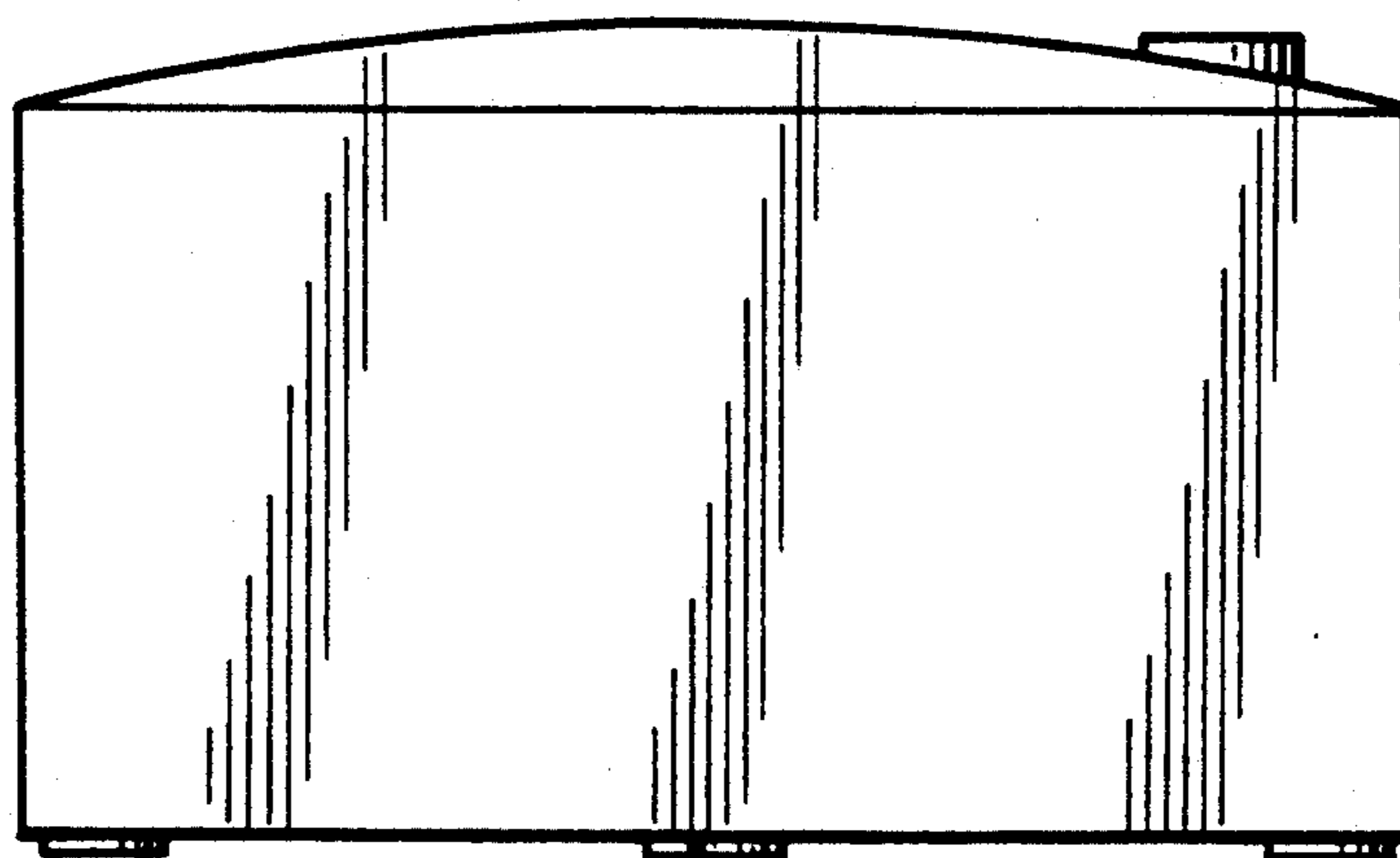


FIG. 7