



US00D339076S

United States Patent [19]

[11] Patent Number: **Des. 339,076**

Mussamatxa

[45] Date of Patent: **** Sep. 7, 1993**

[54] **COMBINATION LEVEL AND PROTRACTOR**

4,438,538 3/1984 Larsen D10/69 X
4,543,731 10/1985 Boundy 33/375

[76] Inventor: **Joao M. Mussamatxa**, 2114 N. 11th St., Philadelphia, Pa. 19122

Primary Examiner—Alan P. Douglas
Assistant Examiner—Antoine D. Davis
Attorney, Agent, or Firm—Terry M. Gernstein

[**] Term: **14 Years**

[21] Appl. No.: **578,314**

[57] **CLAIM**

[22] Filed: **Sep. 6, 1990**

The ornamental design for a combination level and protractor, as shown and described.

[52] U.S. Cl. **D10/69**

[58] Field of Search **D10/62, 69;**
33/365-390

DESCRIPTION

[56] **References Cited**

U.S. PATENT DOCUMENTS

D. 311,341	10/1990	Lewis et al.	D10/62
D. 311,343	10/1990	Huxley et al.	D10/62
D. 312,795	12/1990	Fugett	D10/62
2,810,198	10/1957	Wilson	33/343 X
2,852,858	9/1958	Coffey	33/343 X
3,522,657	8/1970	Metrolis	D10/69 X

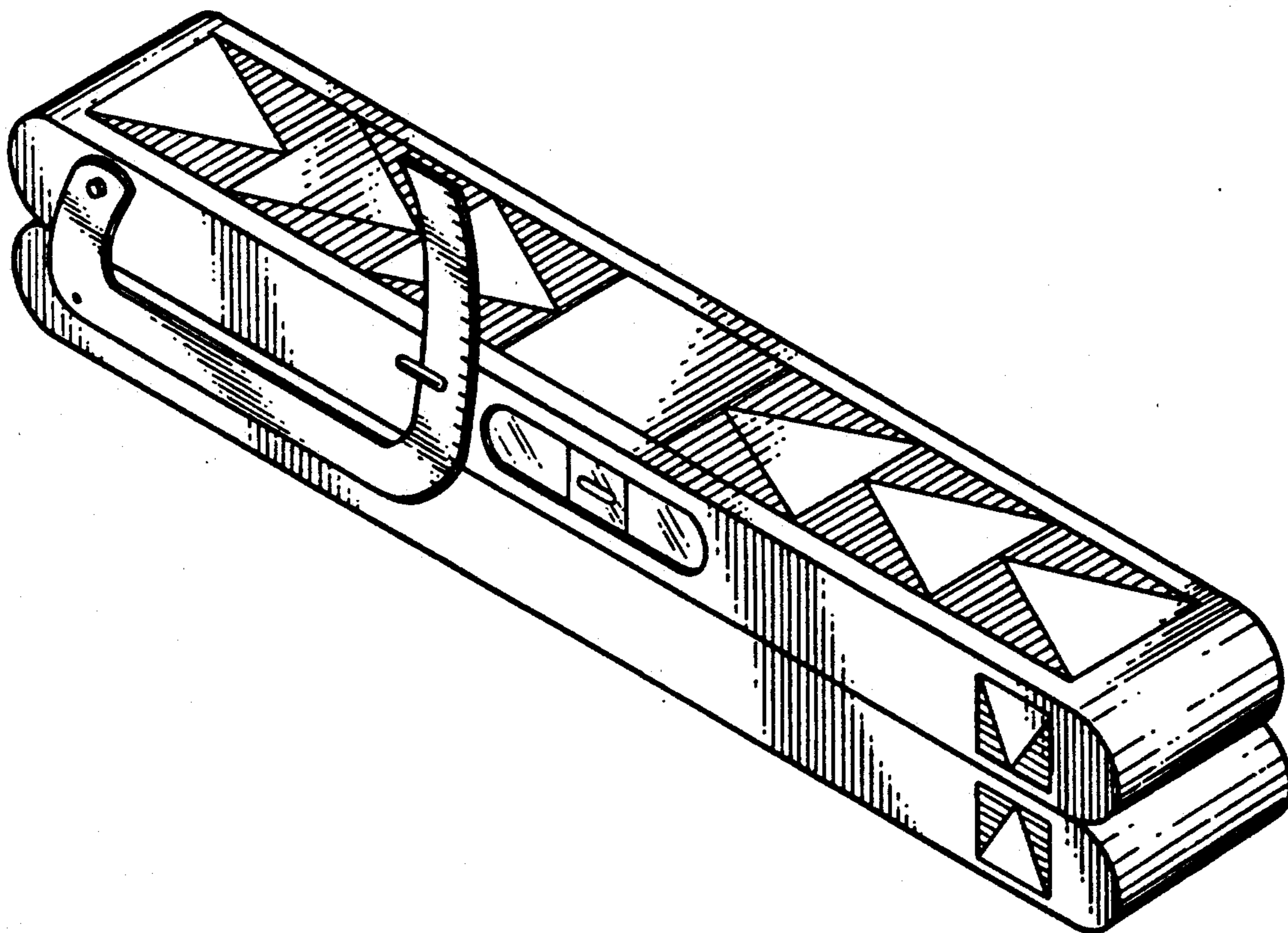
FIG. 1 is a perspective view of the combination level and protractor embodying the design of the present invention;

FIG. 2 is a front elevational view thereof;

FIG. 3 is an end elevational view thereof, the end opposite being a mirror image of the end shown in FIG. 3;

FIG. 4 is a rear elevational view thereof; and,

FIG. 5 is a top plan view thereof, the bottom being decorated identically to the top.



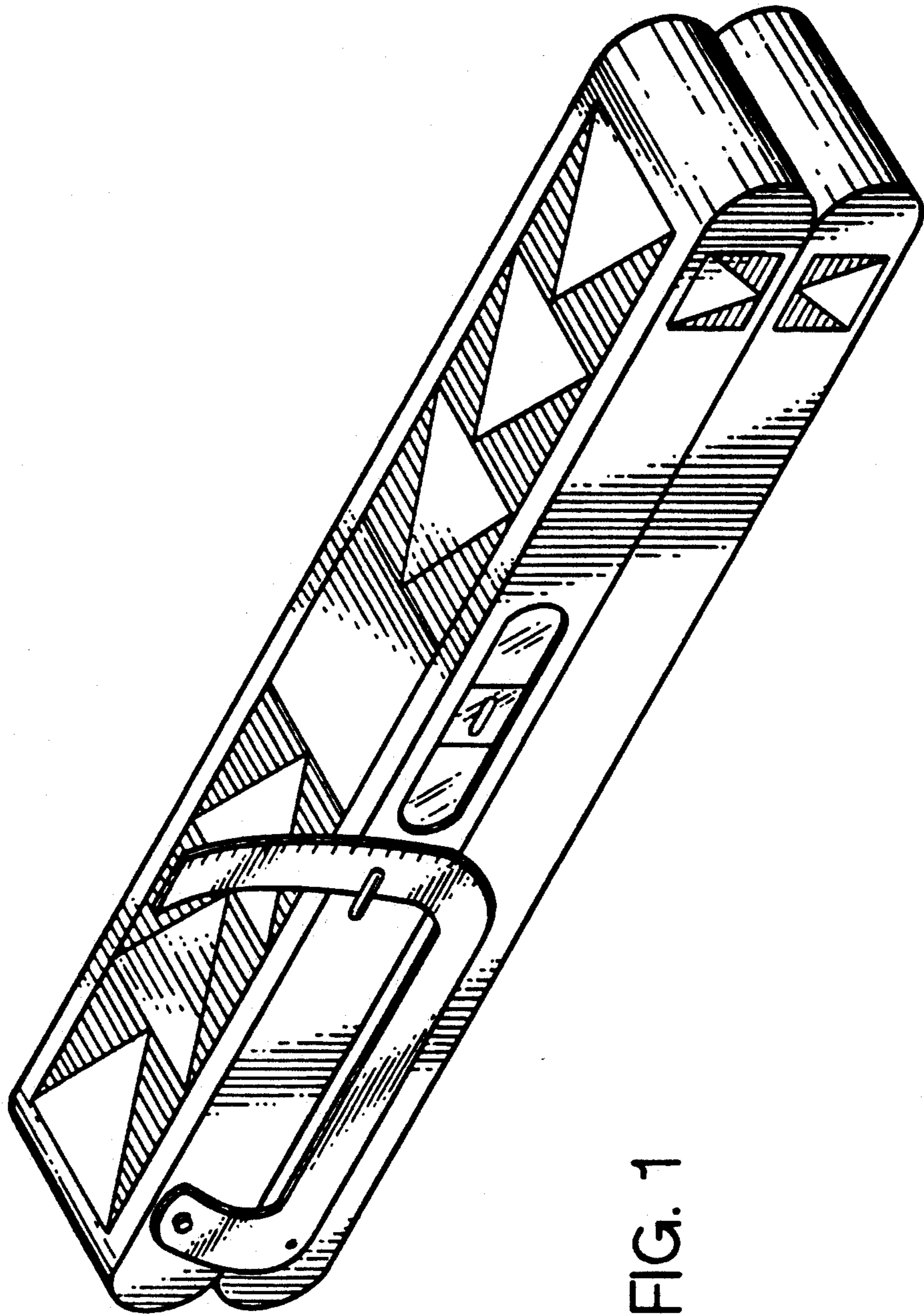


FIG. 1

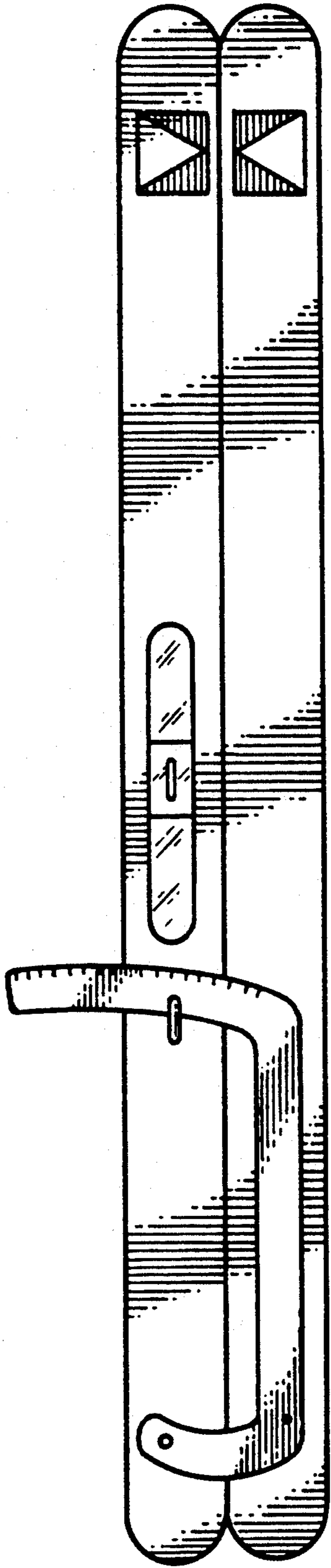


FIG. 2

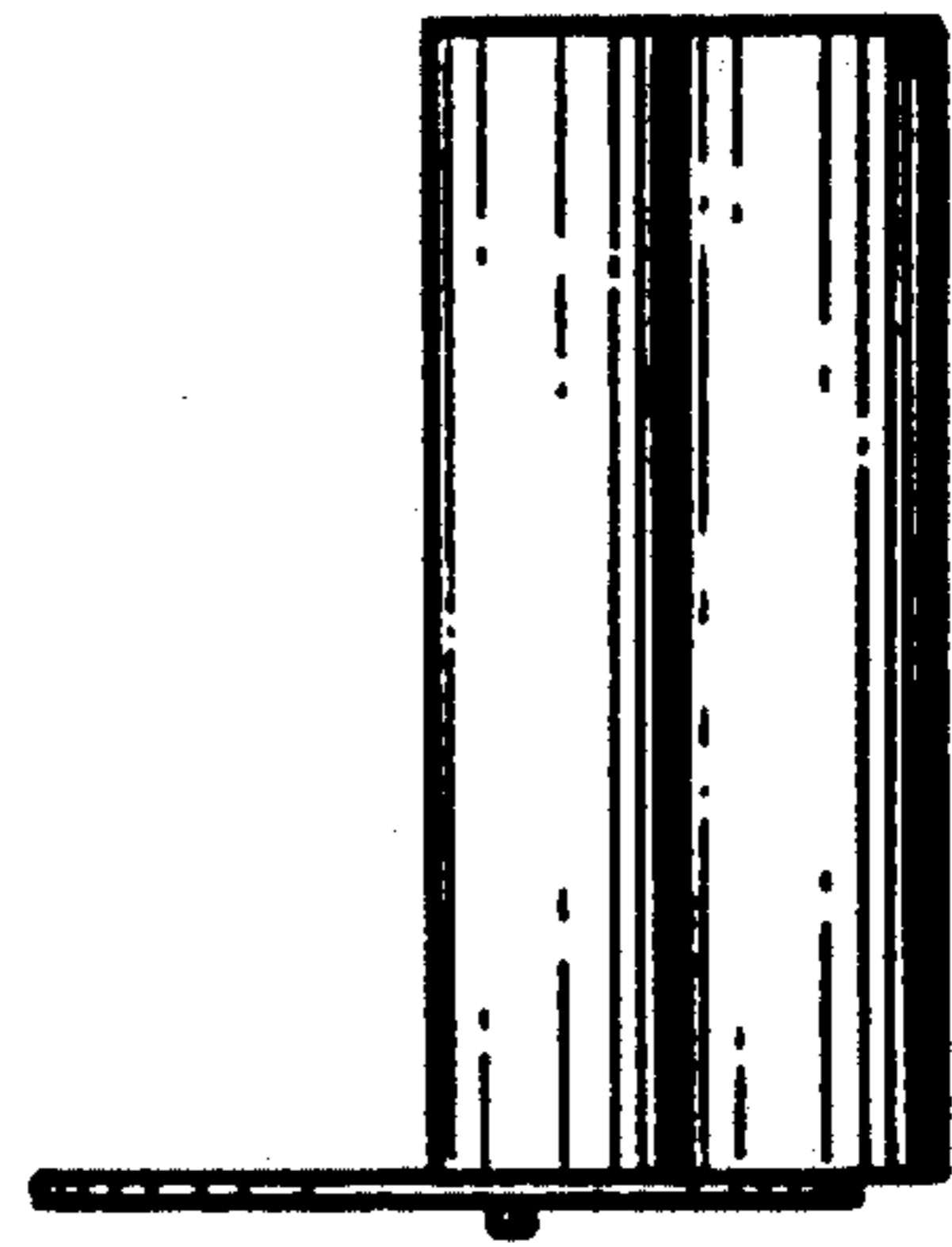


FIG. 3

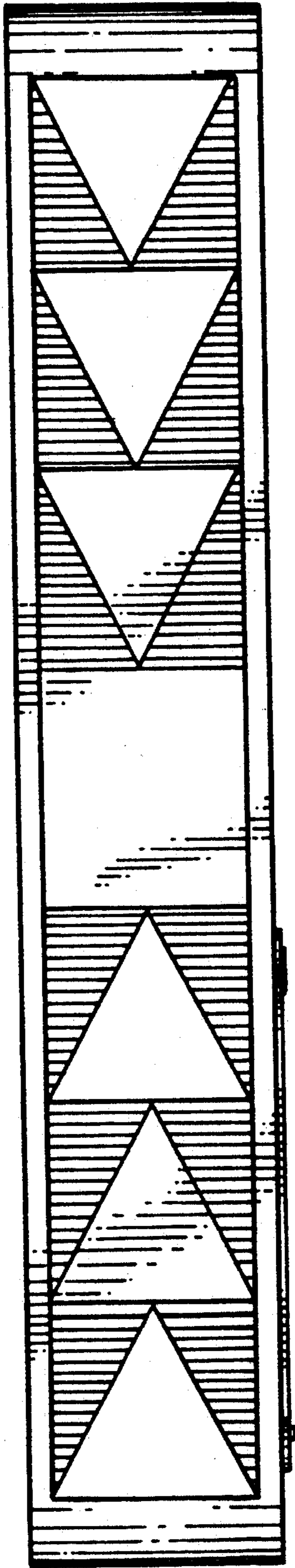


FIG. 5

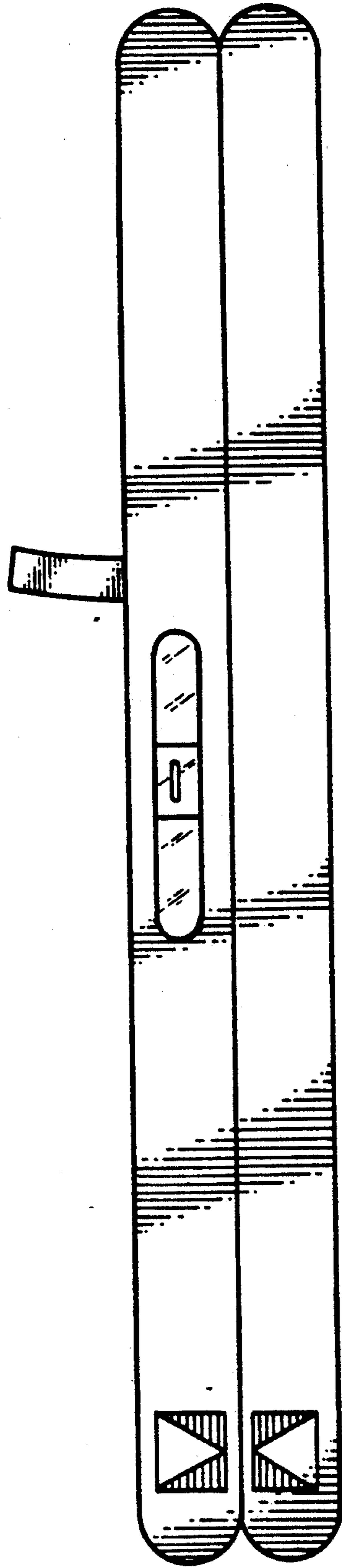


FIG. 4