



US00D339074S

United States Patent [19]

[11] Patent Number: **Des. 339,074**

Dufour

[45] Date of Patent: **** Sep. 7, 1993**

[54] **STUD FINDER**

4,944,096 7/1990 Tolley D10/65 X

[75] Inventor: **Jean G. Dufour, Quebec, Canada**

Primary Examiner—Alan P. Douglas

[73] Assignee: **Johnson Level & Tool Mfg. Co.,
Mequon, Wis.**

Assistant Examiner—Antoine D. Davis

Attorney, Agent, or Firm—Andrus, Scales, Starke &
Sawall

[**] Term: **14 Years**

[57] CLAIM

[21] Appl. No.: **797,089**

The ornamental design for a stud finder, as shown and described.

[22] Filed: **Nov. 22, 1991**

[52] U.S. Cl. **D10/65; D10/69**

[58] Field of Search **D10/65, 69; 324/66,
324/67, 226, 228, 264, 262, 156; 33/332, 347,
348, 348.2, 350-355 R, 364, 365, 374**

DESCRIPTION

[56] References Cited

U.S. PATENT DOCUMENTS

2,933,679 4/1960 Bray 324/226
4,310,797 1/1982 Butler 324/228

FIG. 1 is an isometric view of a stud finder showing my new design;

FIG. 2 is a left side elevational view;

FIG. 3 is a top plan view;

FIG. 4 is a bottom plan view;

FIG. 5 is a front elevational view; and,

FIG. 6 is an isometric view of an alternative embodiment of a stud finder showing my new design.

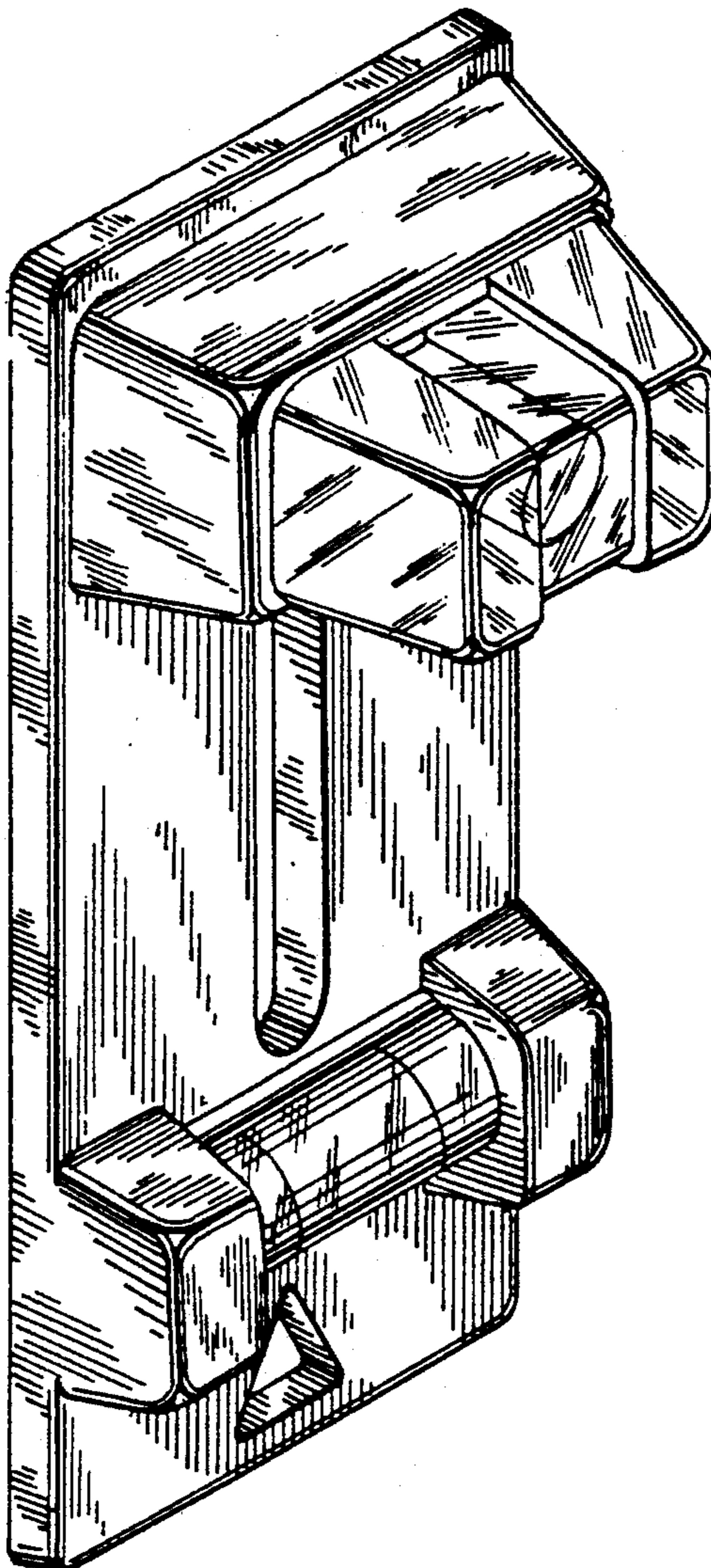


FIG. 1

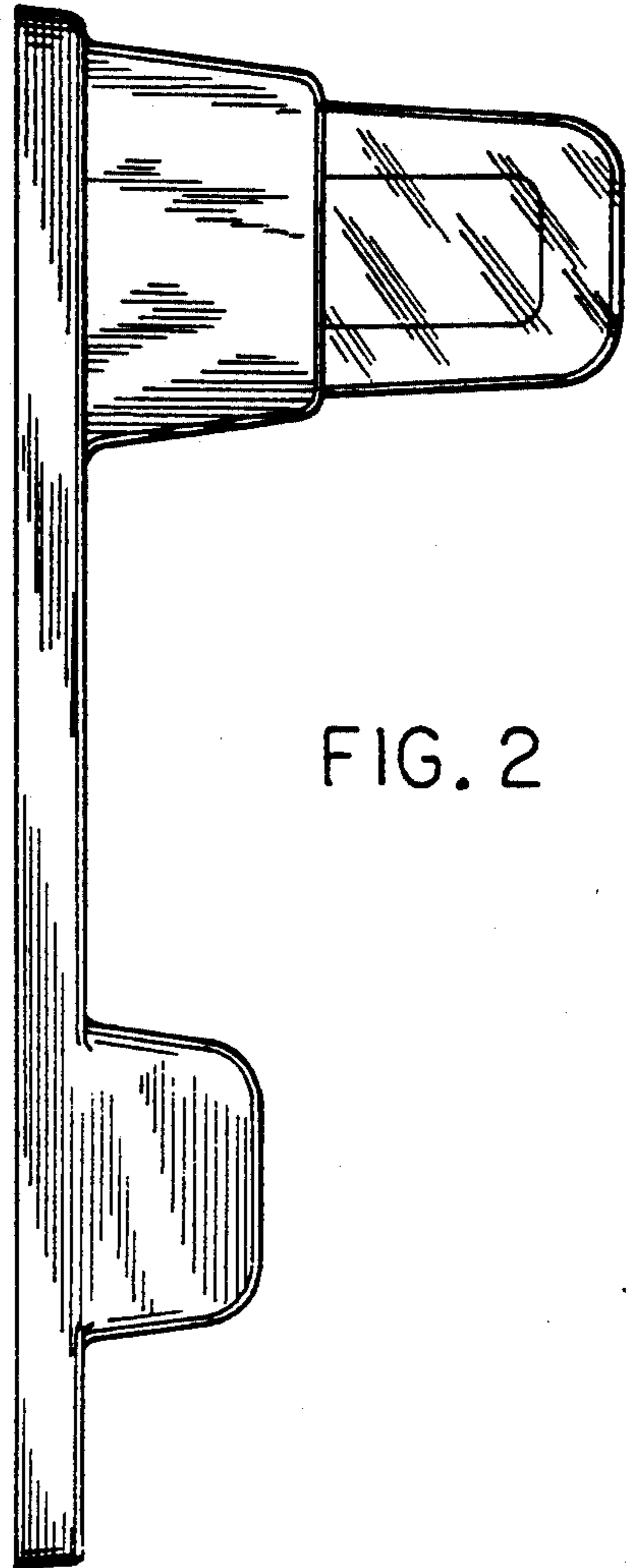
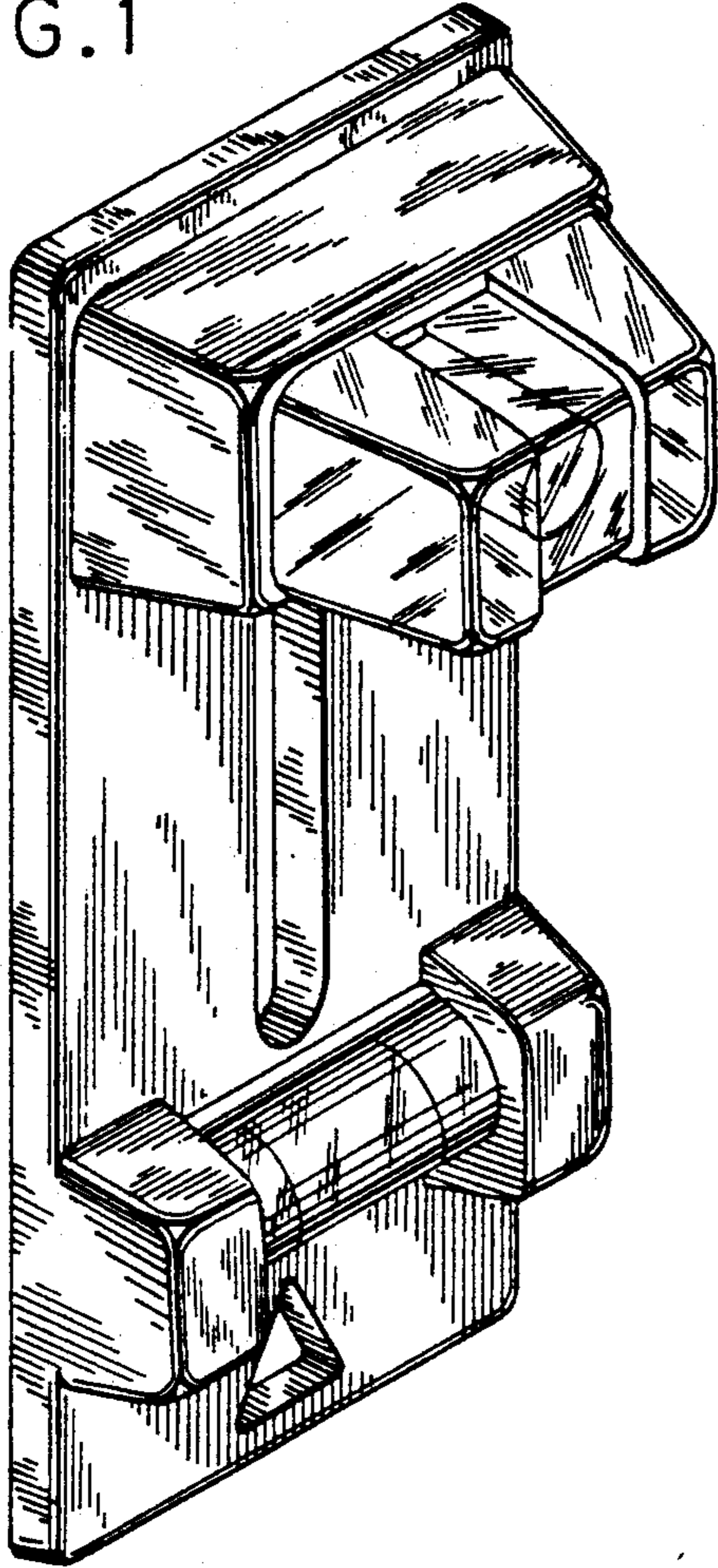


FIG. 2

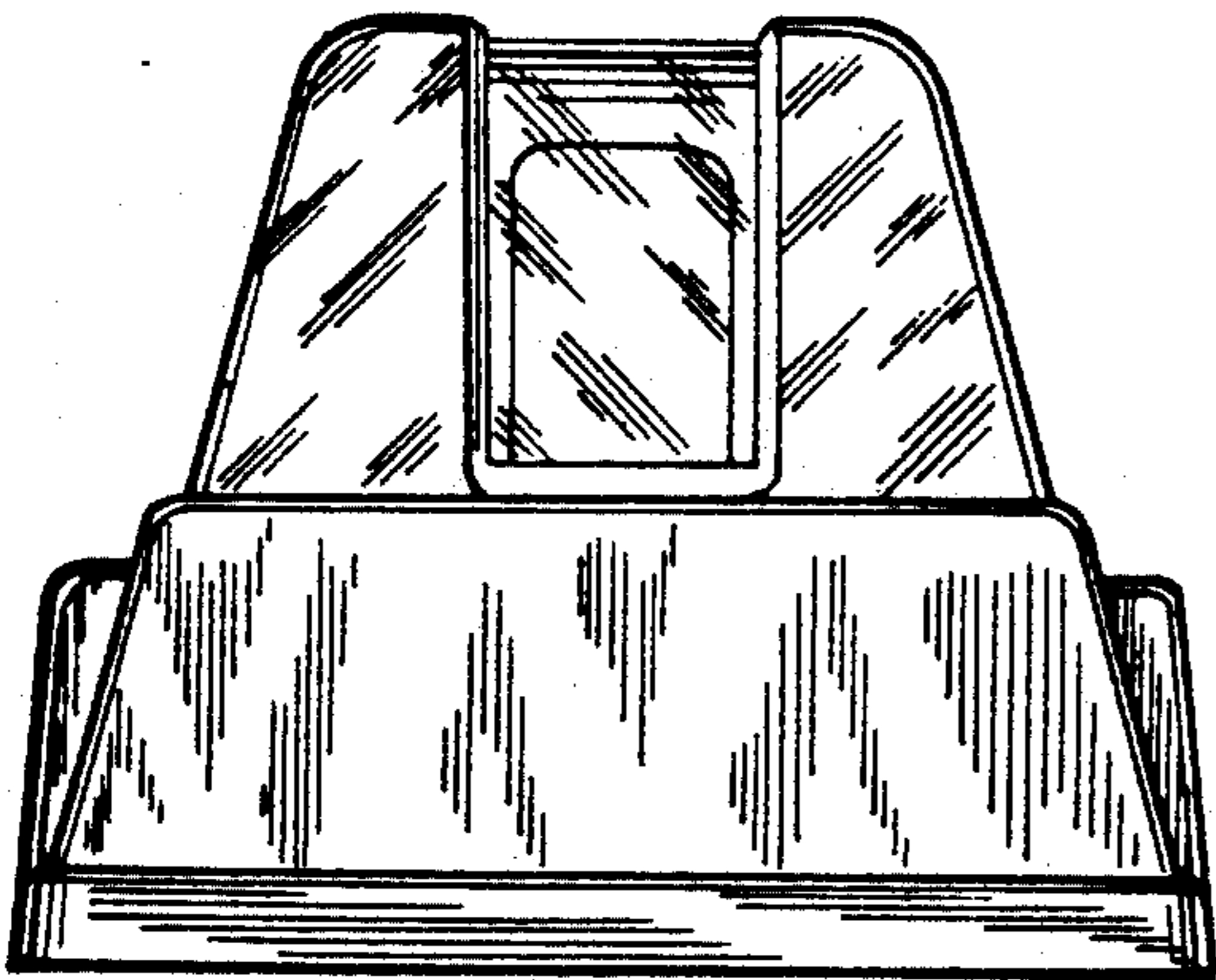


FIG. 3

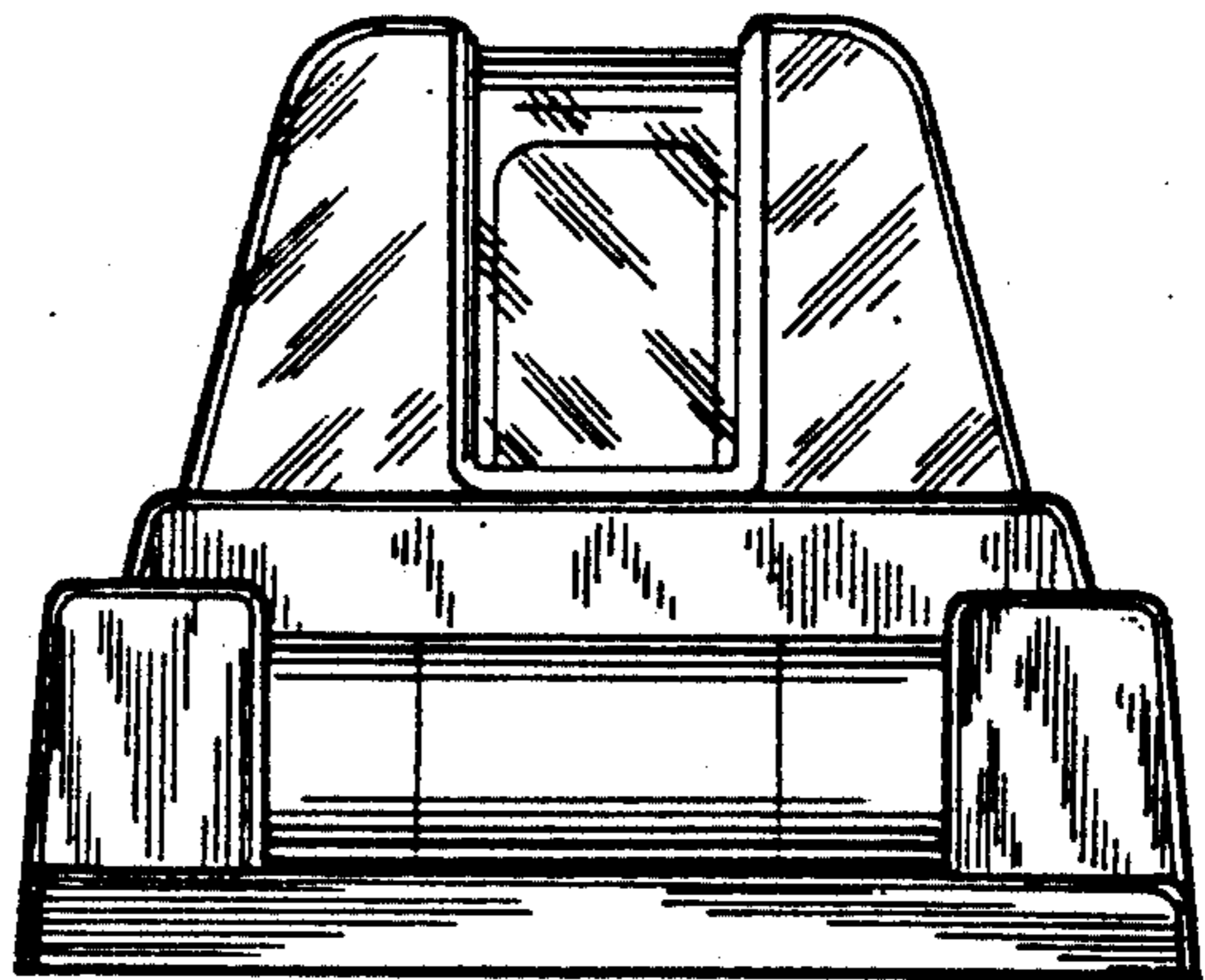


FIG. 4

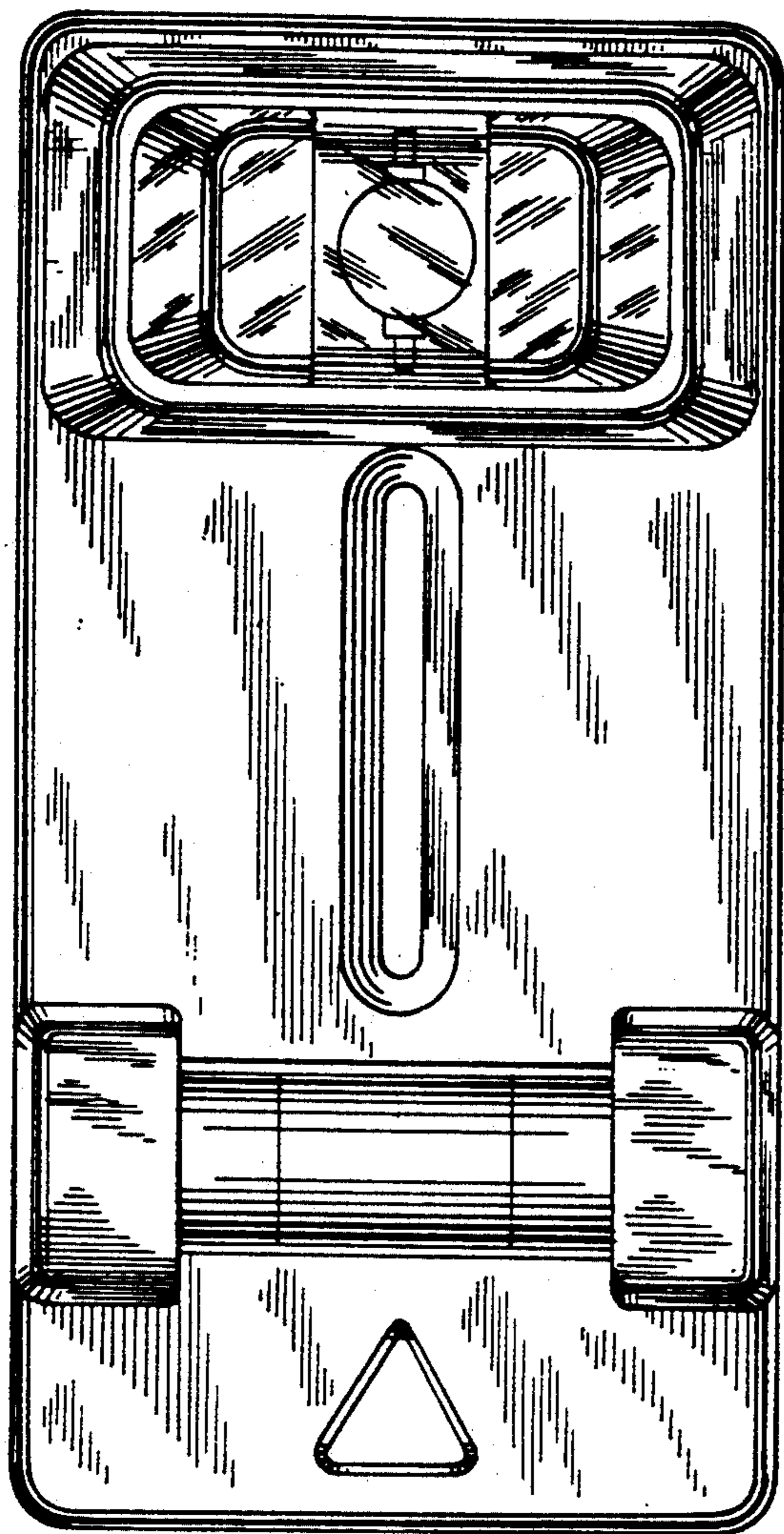


FIG. 5

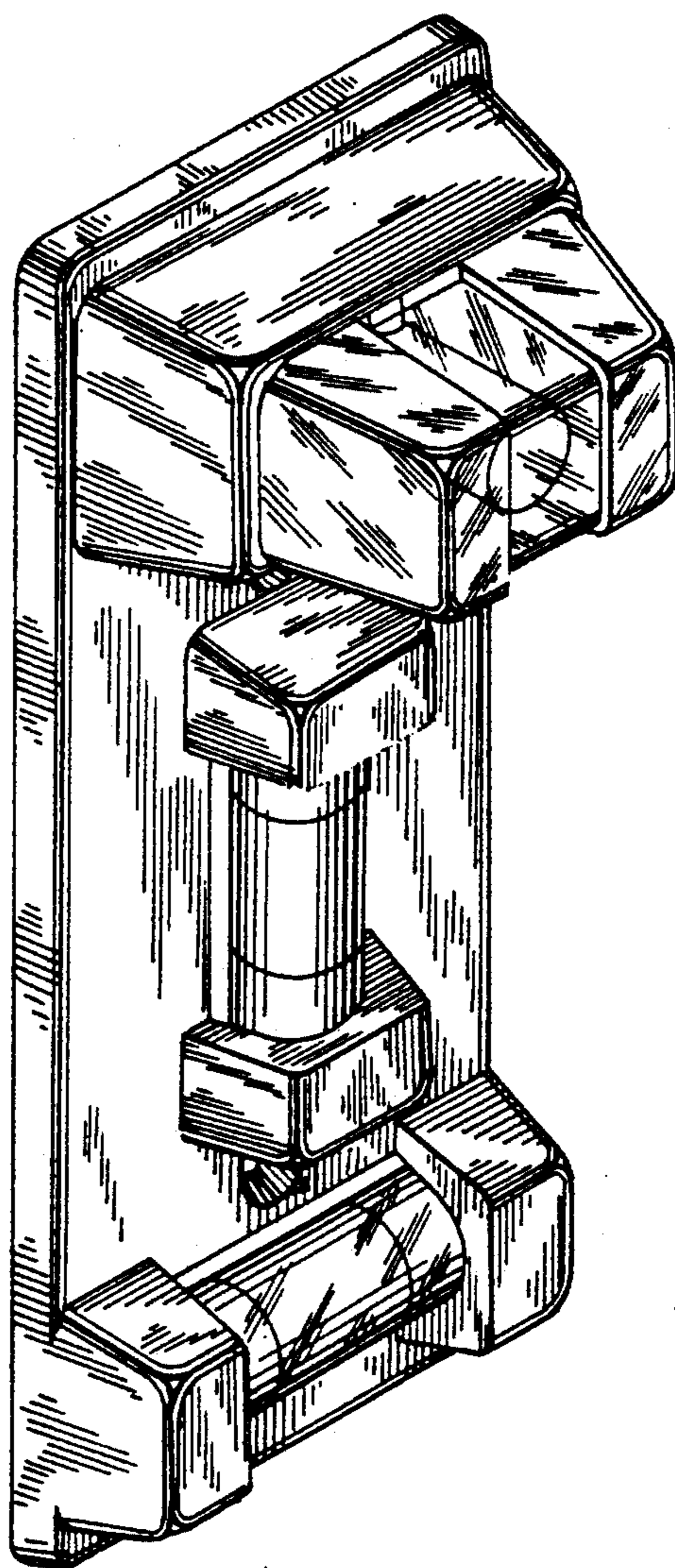


FIG. 6