



US00D339069S

United States Patent [19]

[11] Patent Number: **Des. 339,069**

Mansau

[45] Date of Patent: **** Sep. 7, 1993**

[54] **CAPPED BOTTLE**

[75] Inventor: **Serge Mansau, Boulogne, France**

[73] Assignee: **Unilever Patent Holding B.V., Rotterdam, Netherlands**

[**] Term: **14 Years**

[21] Appl. No.: **697,271**

[22] Filed: **May 8, 1991**

[30] **Foreign Application Priority Data**

Nov. 8, 1990 [XH] Hague DM018060

[52] U.S. Cl. **D9/544; D9/439; D9/521; D9/565; D9/569**

[58] Field of Search **D9/544, 545, 546, 521, D9/562, 569, 439; 215/1 R, 1 C; D28/91.1**

[56] **References Cited**

U.S. PATENT DOCUMENTS

- D. 94,011 12/1934 Westlake D9/562
- D. 109,848 5/1938 Lorenzen D9/563 X
- D. 116,756 9/1939 Bergaud D9/544
- D. 137,711 4/1944 Lieberfield D9/520

- D. 270,138 8/1983 Rosen D9/544 X
- D. 306,353 2/1990 DiNuccio D9/562 X

OTHER PUBLICATIONS

Beauty Fashion, Sep. 1983, p. 73, Oscar de la Renta "Ruffles" perfume bottle.

Beauty Fashion, Jun. 1976, p. 32, "Al Di Là" bottle cap.

Primary Examiner—Bernard Ansher

Assistant Examiner—Lucy Lieberman

Attorney, Agent, or Firm—Cushman, Darby & Cushman

[57] **CLAIM**

The ornamental design for a capped bottle, as shown and described.

DESCRIPTION

FIG. 1 is a perspective view of a capped bottle showing my new design from the front, top and left side;

FIG. 2 is a front elevational view thereof;

FIG. 3 is a rear elevational view thereof;

FIG. 4 is a top plan view thereof;

FIG. 5 is a bottom plan view thereof;

FIG. 6 is a left side elevational view thereof; and,

FIG. 7 is a right side elevational view thereof.

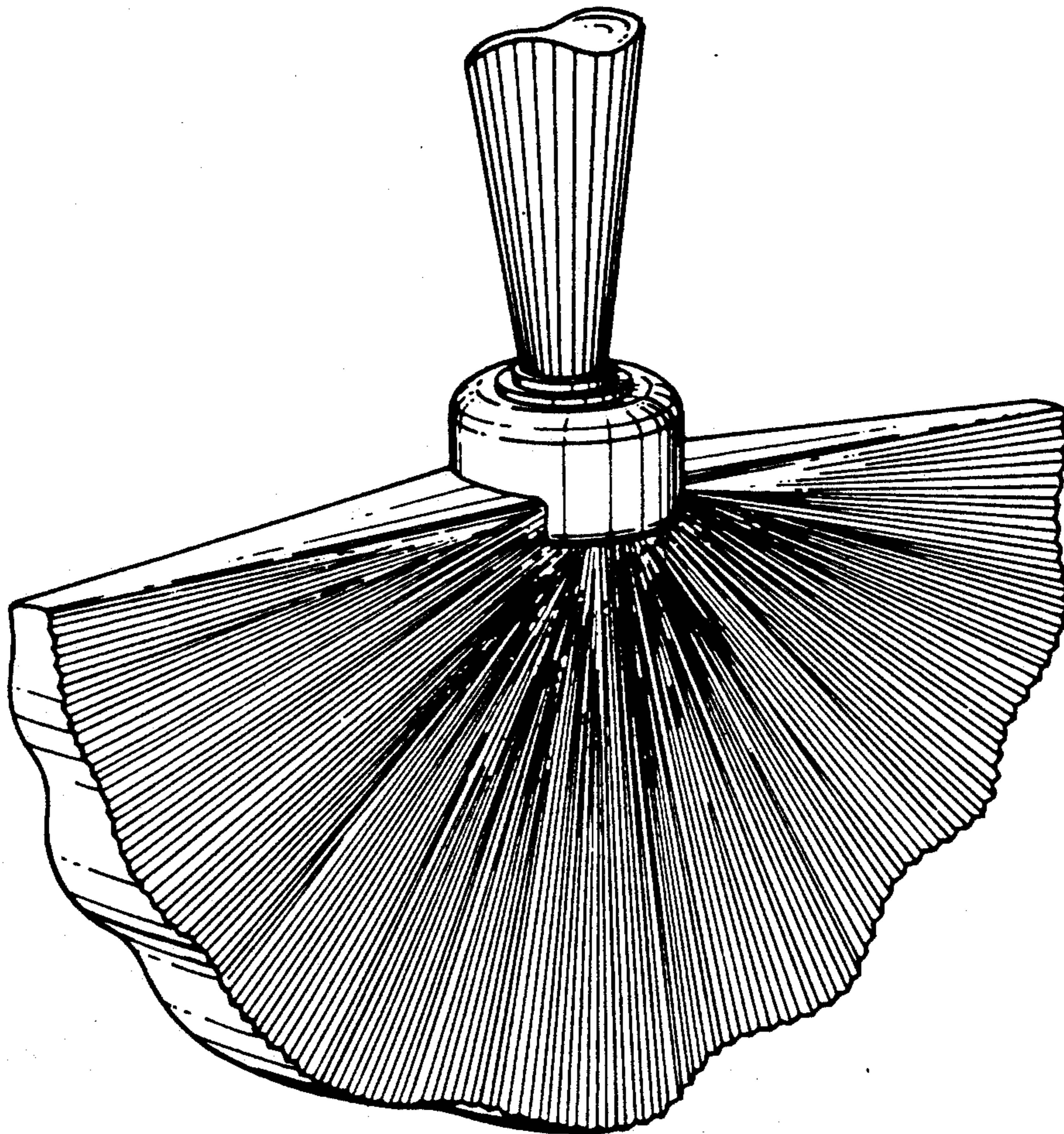


Fig. 1.

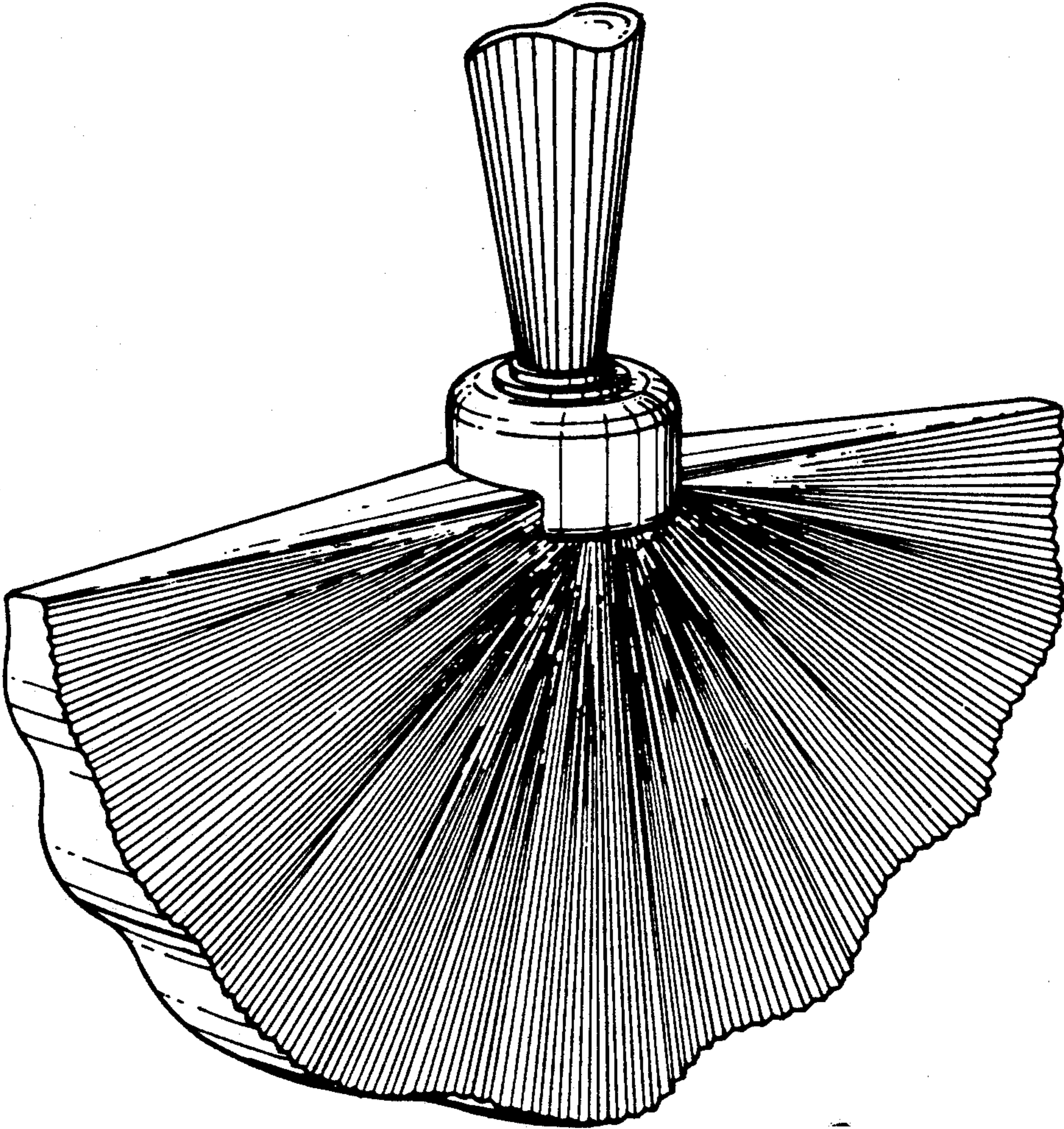


Fig.2.

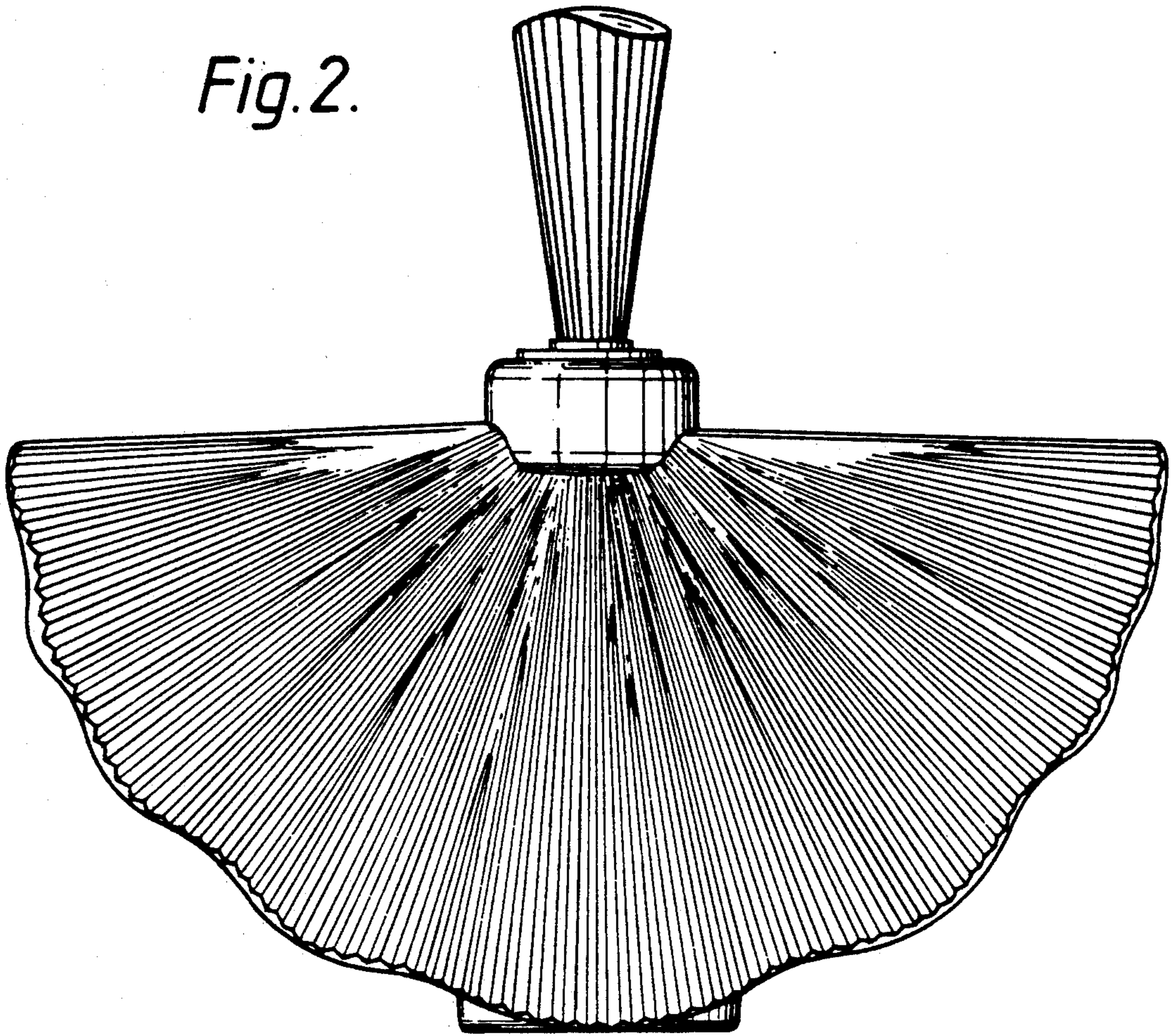


Fig.4.

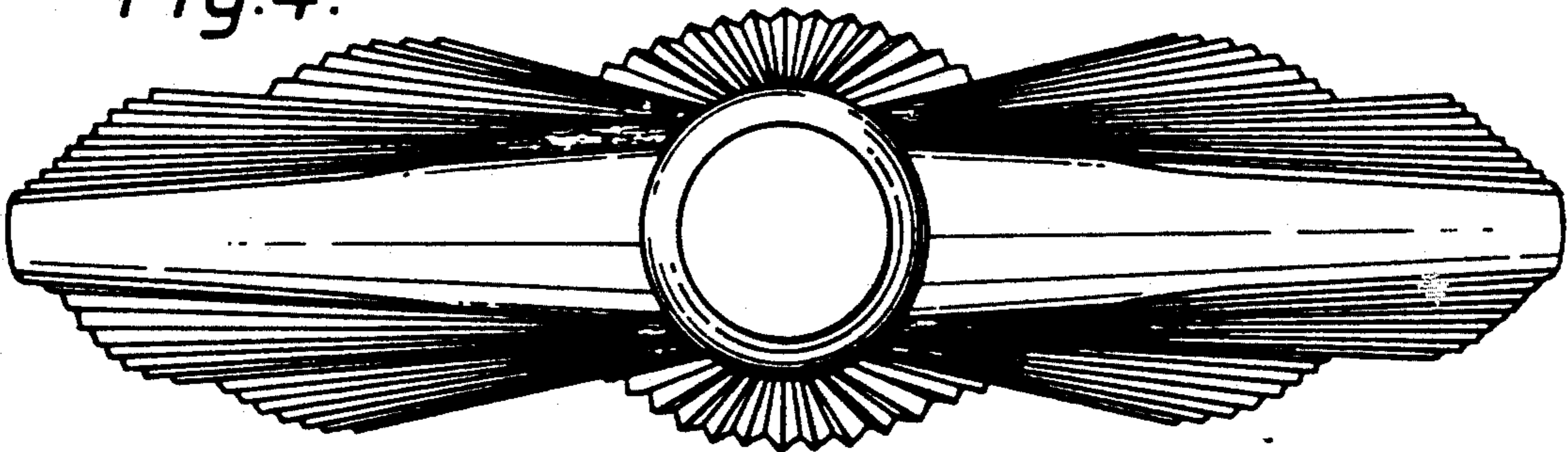


Fig. 3.

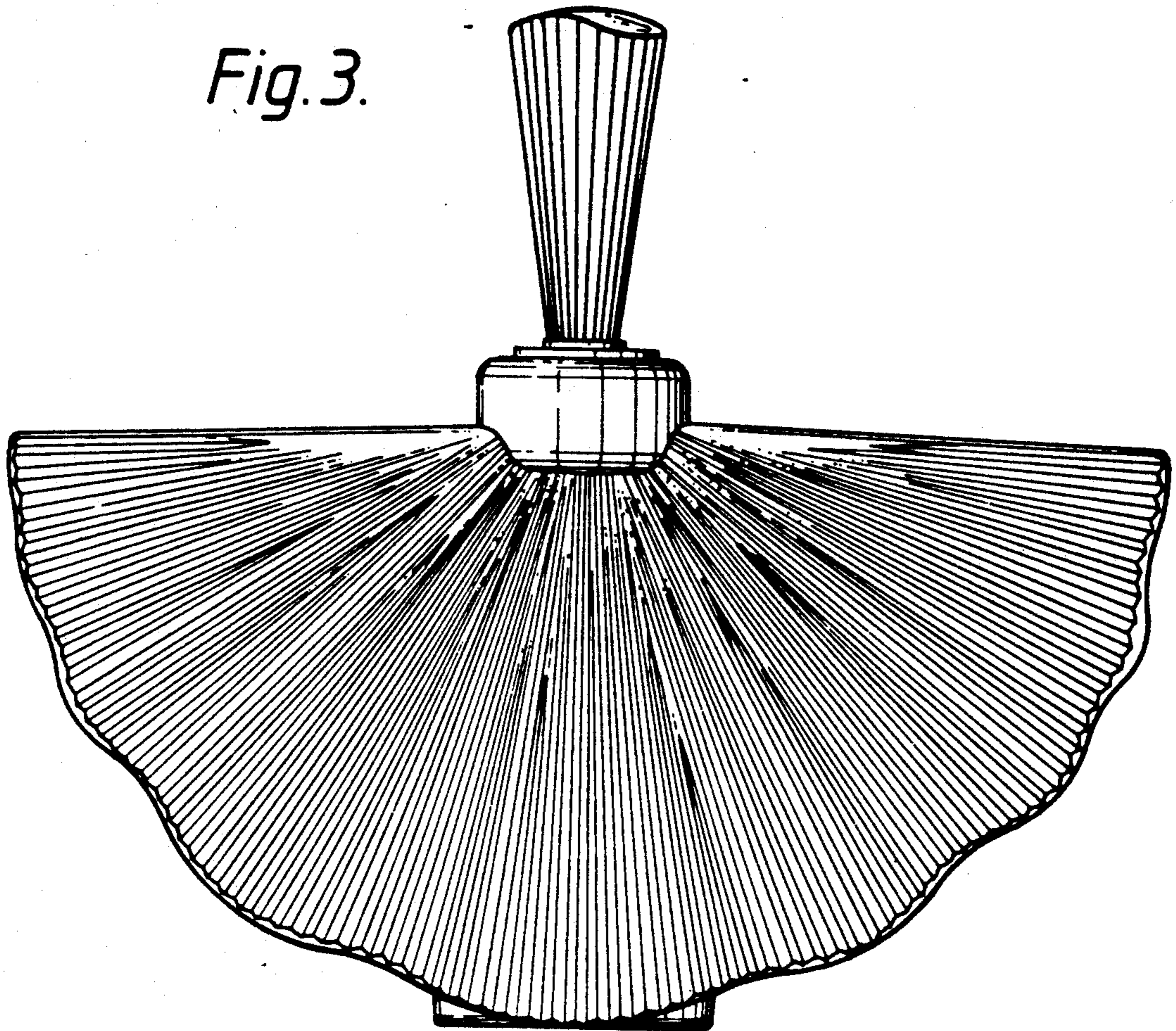


Fig. 5.

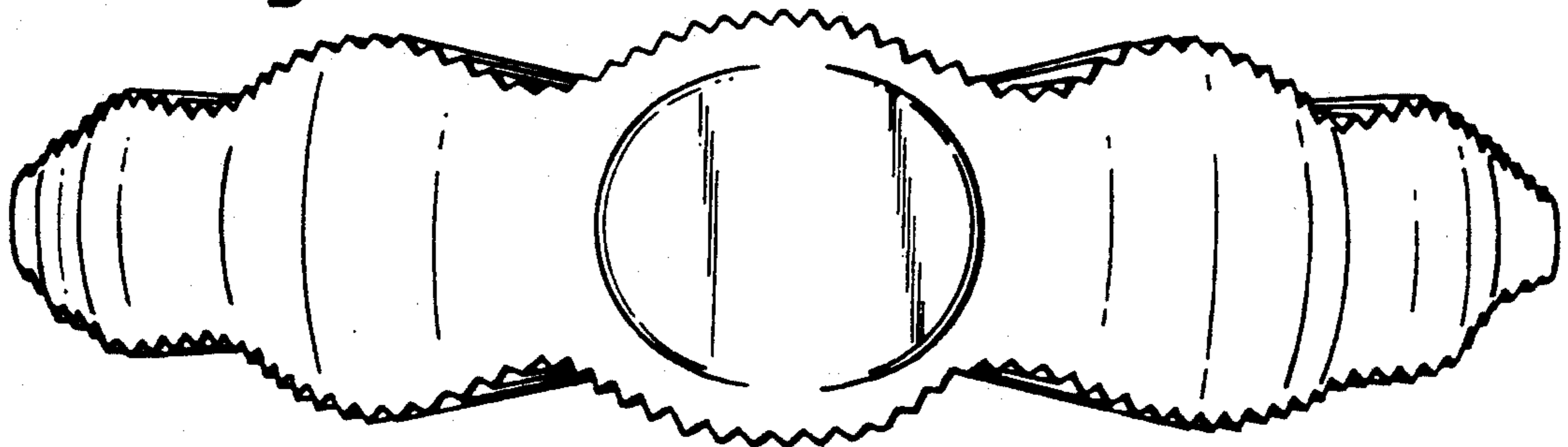


Fig. 6.

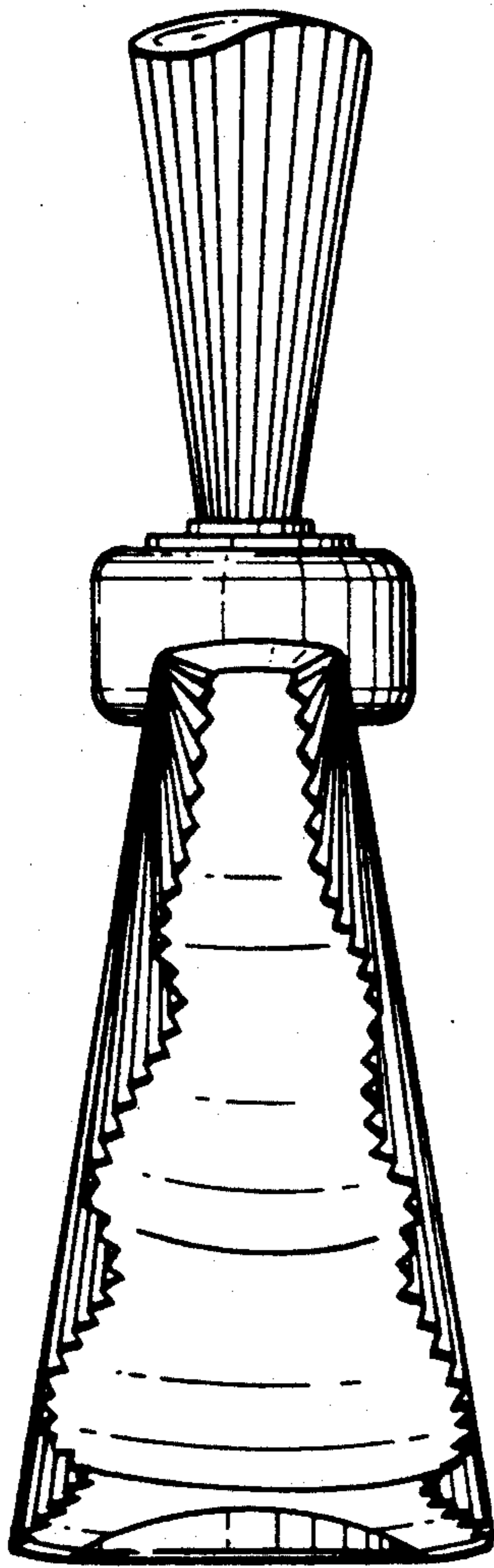


Fig. 7.

