



US00D339065S

United States Patent [19]

[11] Patent Number: Des. 339,065

Forsyth et al.

[45] Date of Patent: ** Sep. 7, 1993

[54] DISPENSING CLOSURE

[75] Inventors: Michael J. Forsyth, Stow; Dallas E. Stiles, Jr., Akron, both of Ohio

[73] Assignee: Weatherchem Corporation, Twinsburg, Ohio

[**] Term: 14 Years

[21] Appl. No.: 464,762

[22] Filed: Jan. 16, 1990

[52] U.S. Cl. D9/447; D9/449

[58] Field of Search D9/435, 446, 447, 449; 222/565, 556; 239/374

[56] References Cited

U.S. PATENT DOCUMENTS

- D. 276,981 1/1985 Cleevly D9/449
- D. 305,206 12/1989 Hickman et al. D9/449
- D. 321,137 10/1991 Hofmann et al. D9/447

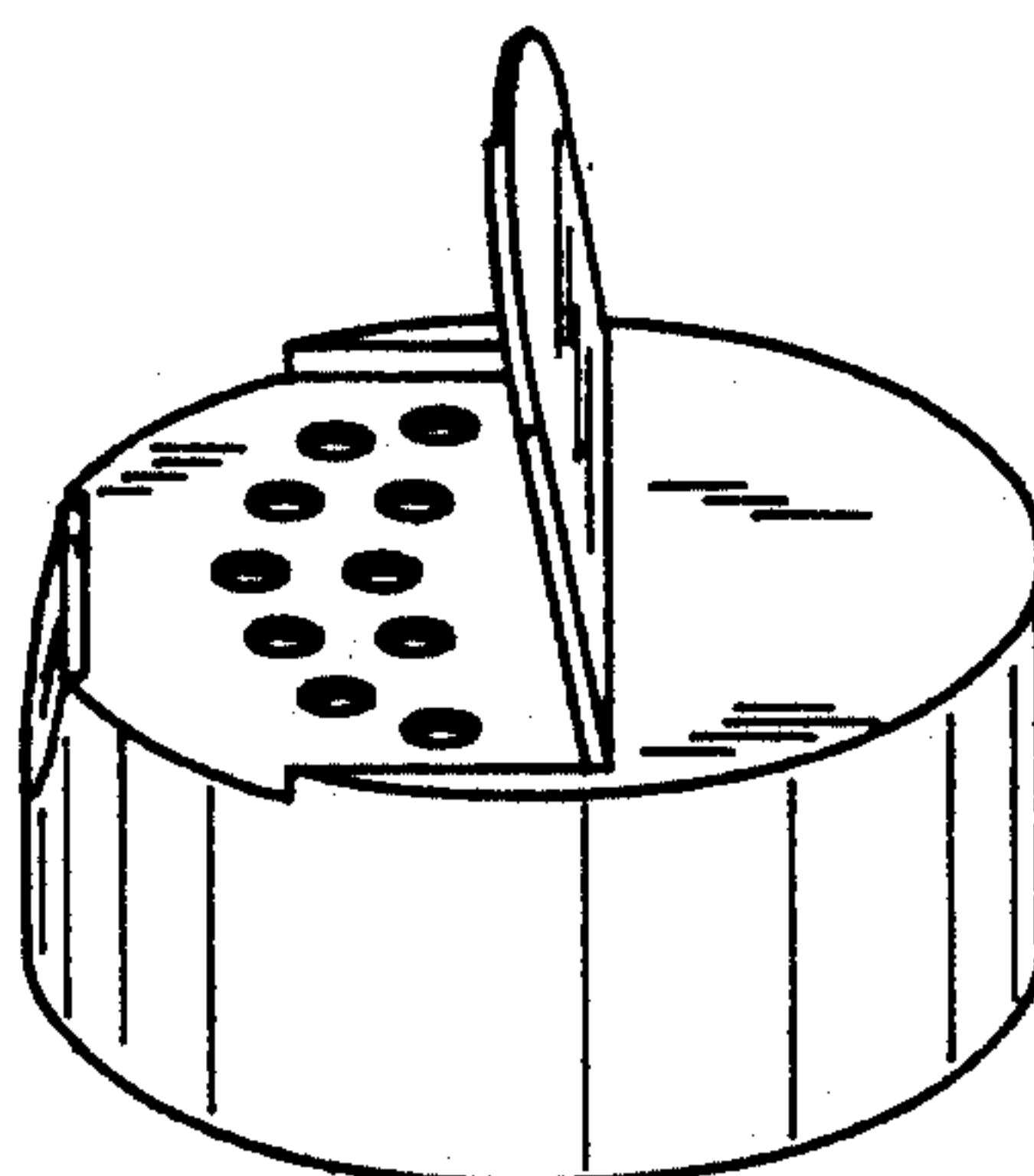
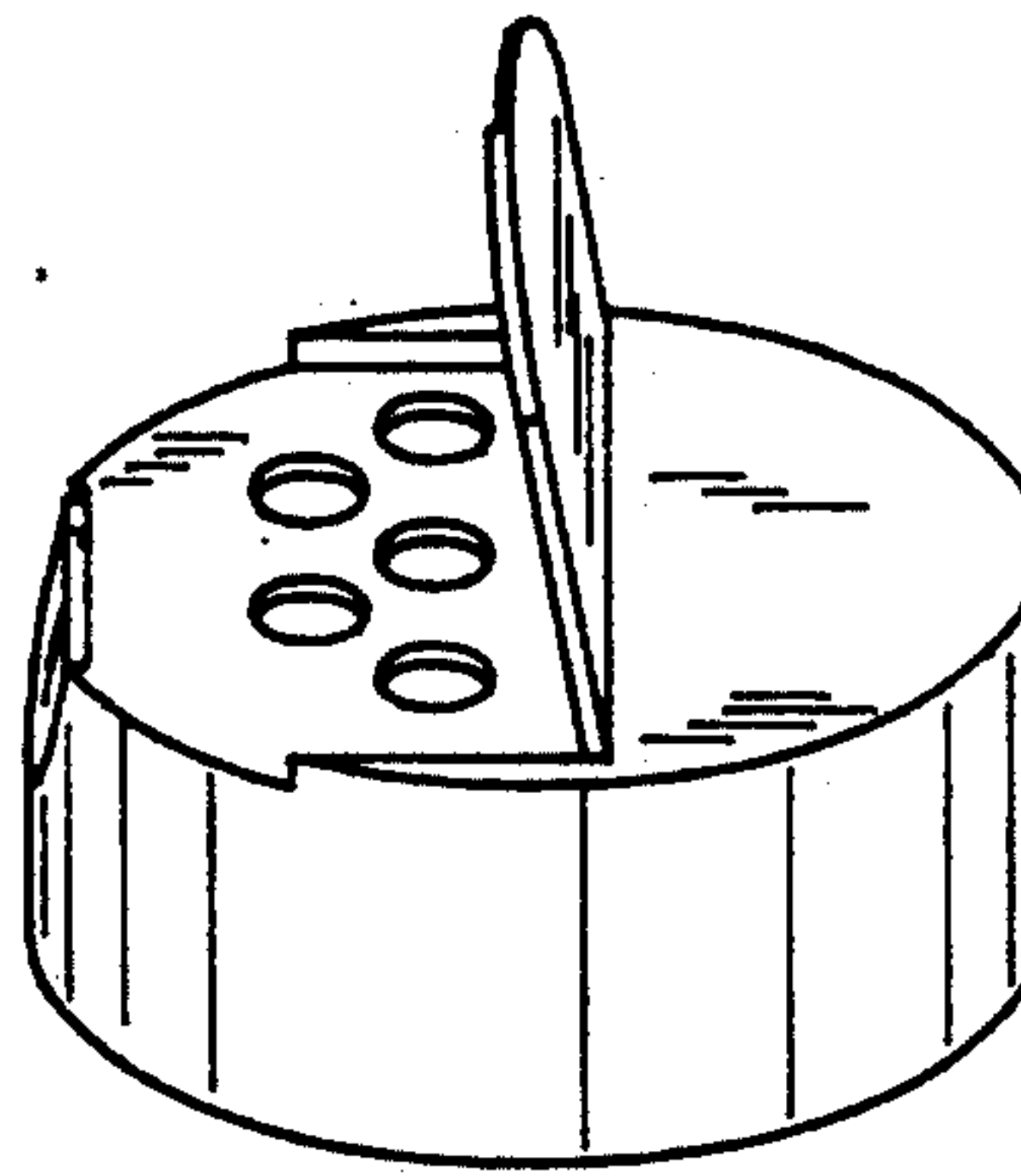
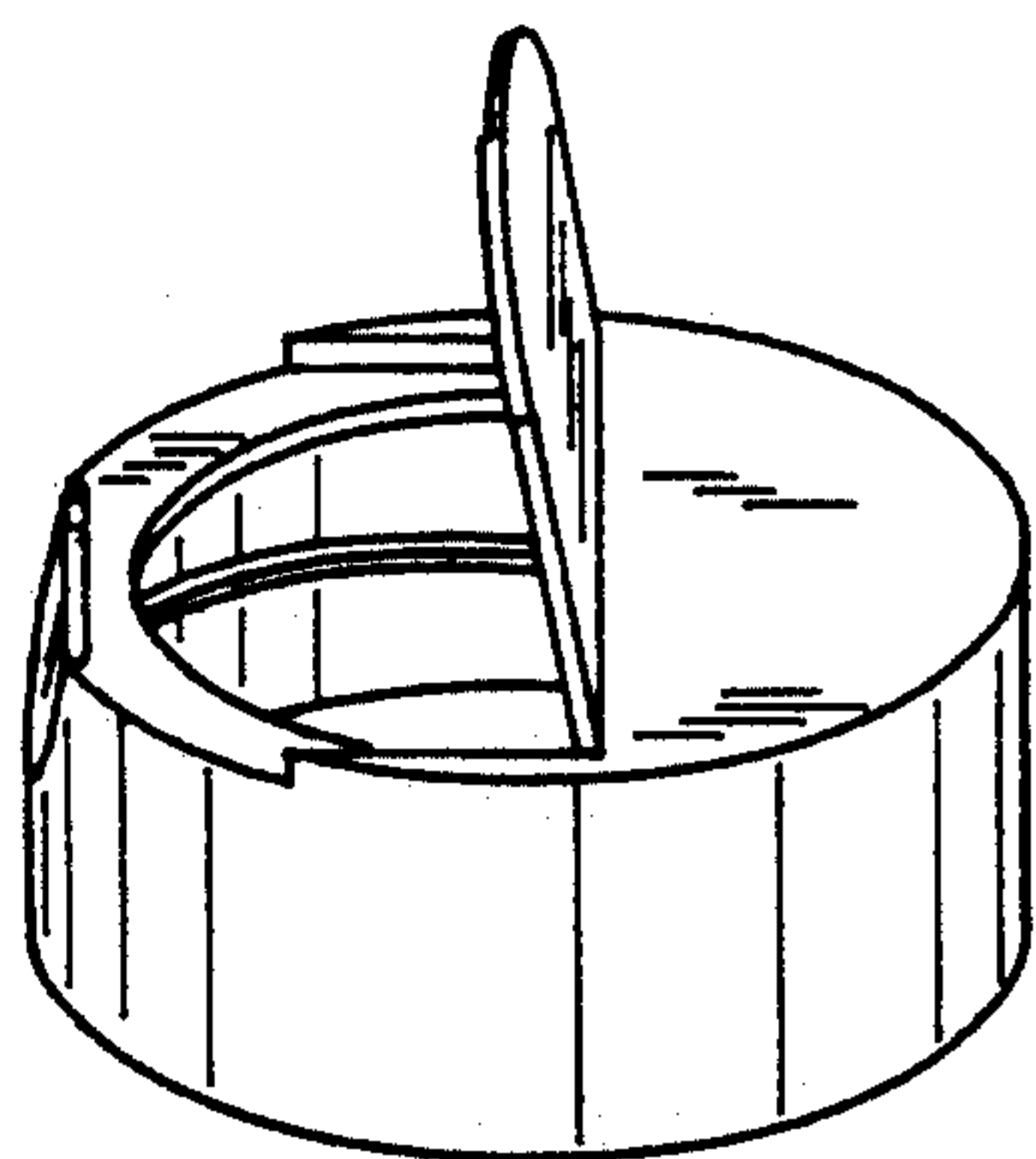
Primary Examiner—Bernard Ansher
Assistant Examiner—Dominic Simone
Attorney, Agent, or Firm—Pearne, Gordon, McCoy & Granger

[57] CLAIM

The ornamental design for a dispensing closure, as shown and described.

DESCRIPTION

FIG. 1 is a perspective view of a dispensing closure showing our new design;
 FIG. 2 is a top plan view thereof;
 FIG. 3 is a side elevational view taken from the right of FIG. 1;
 FIG. 4 is a side elevational view taken from the left of FIG. 1;
 FIG. 5 is a front elevational view thereof;
 FIG. 6 is a bottom plan view thereof;
 FIG. 7 is a bottom perspective view thereof;
 FIG. 8 is a perspective view of a second embodiment of FIG. 1;
 FIG. 9 is a top plan view of FIG. 8;
 FIG. 10 is a right side elevational view of FIG. 8;
 FIG. 11 is a left side elevational view of FIG. 8;
 FIG. 12 is a front elevational view of FIG. 8;
 FIG. 13 is a bottom plan view of FIG. 8;
 FIG. 14 is a bottom perspective view of FIG. 8;
 FIG. 15 is a perspective view of a third embodiment of FIG. 1;
 FIG. 16 is a top plan view of FIG. 15;
 FIG. 17 is a right side elevational view of FIG. 15;
 FIG. 18 is a left side elevational view of FIG. 15;
 FIG. 19 is a front elevational view of FIG. 15;
 FIG. 20 is a bottom plan view of FIG. 15; and,
 FIG. 21 is a bottom perspective view of FIG. 15.



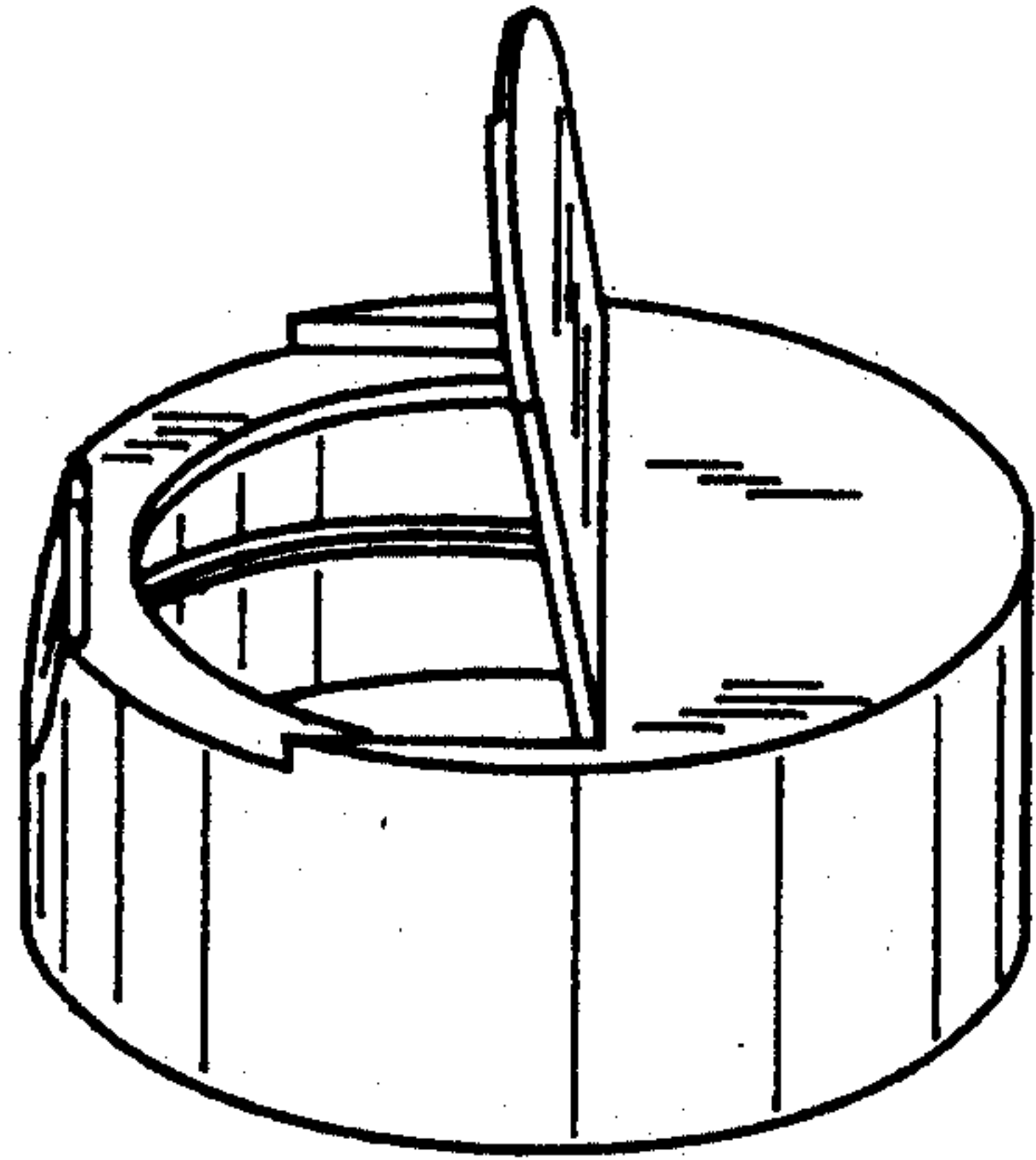


Fig. 1

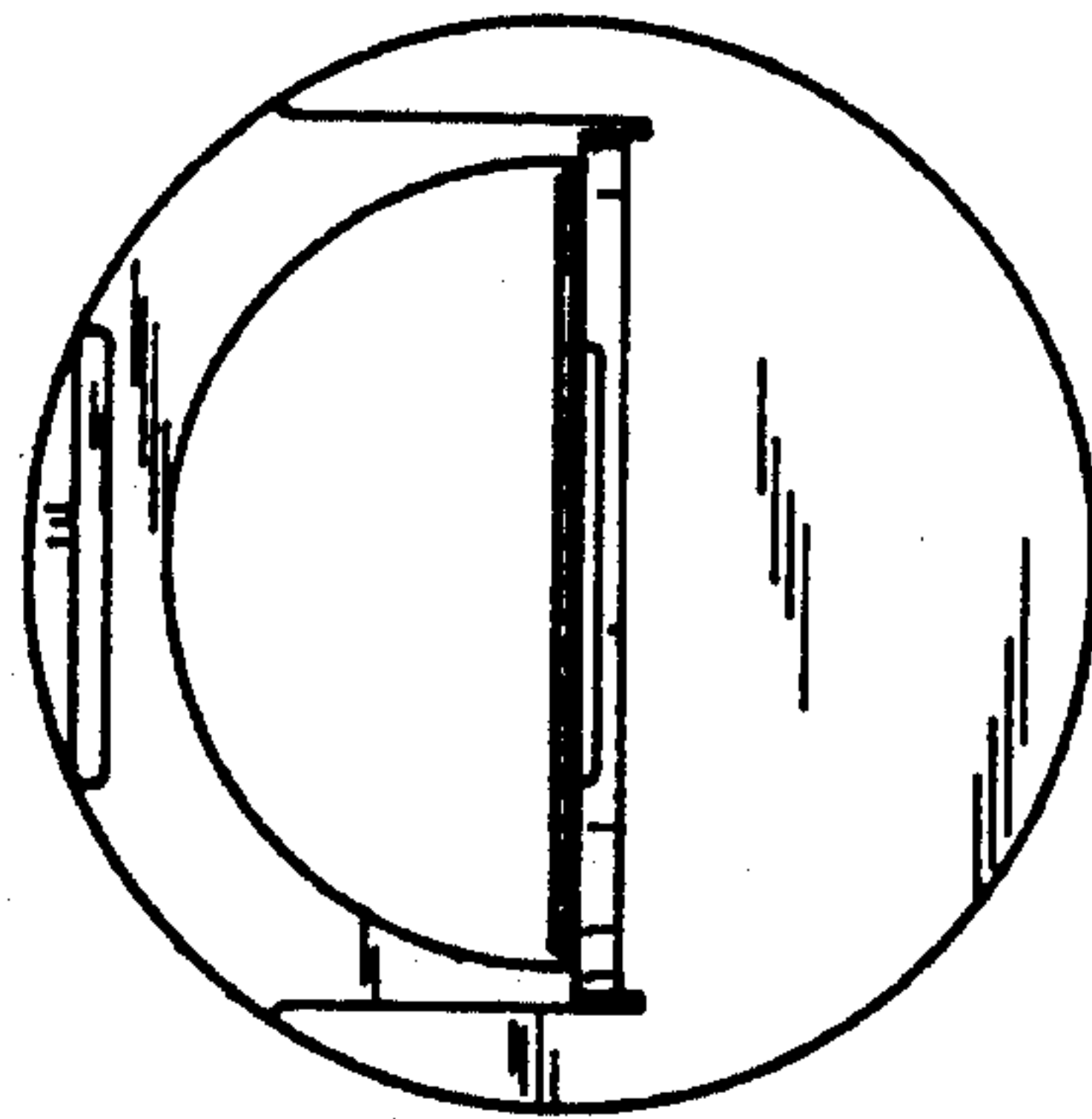


Fig. 2

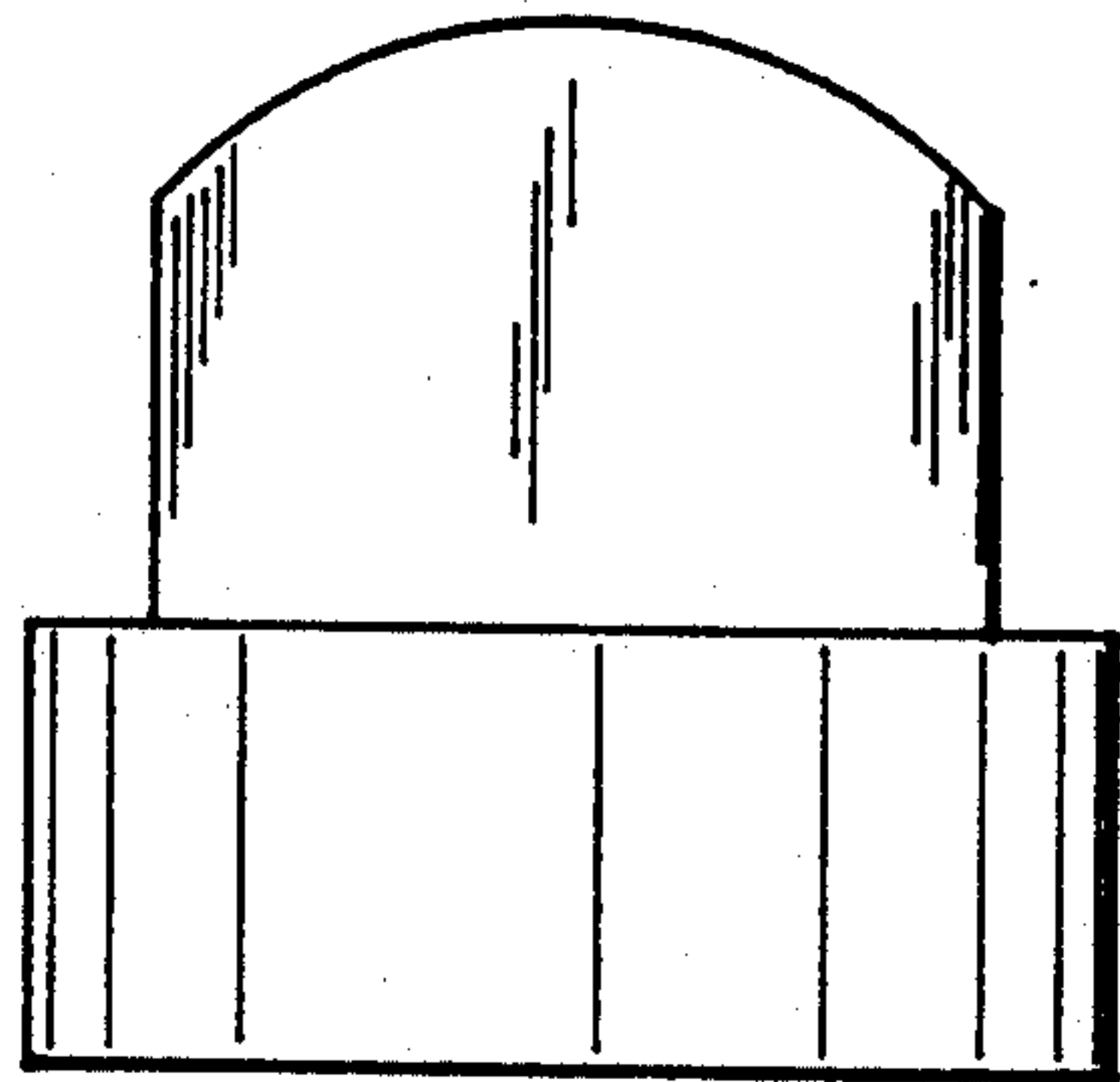


Fig. 3

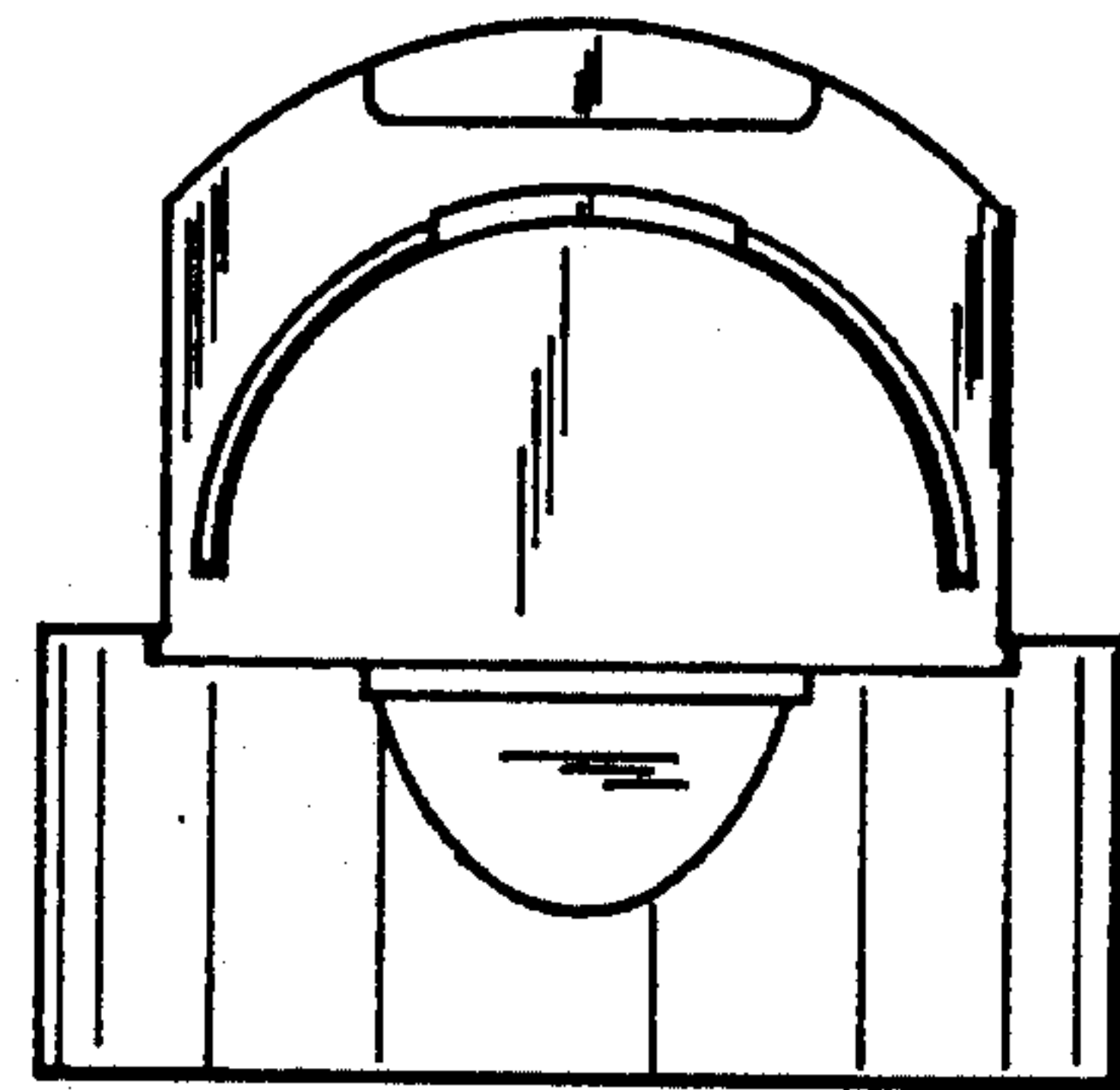


Fig. 4

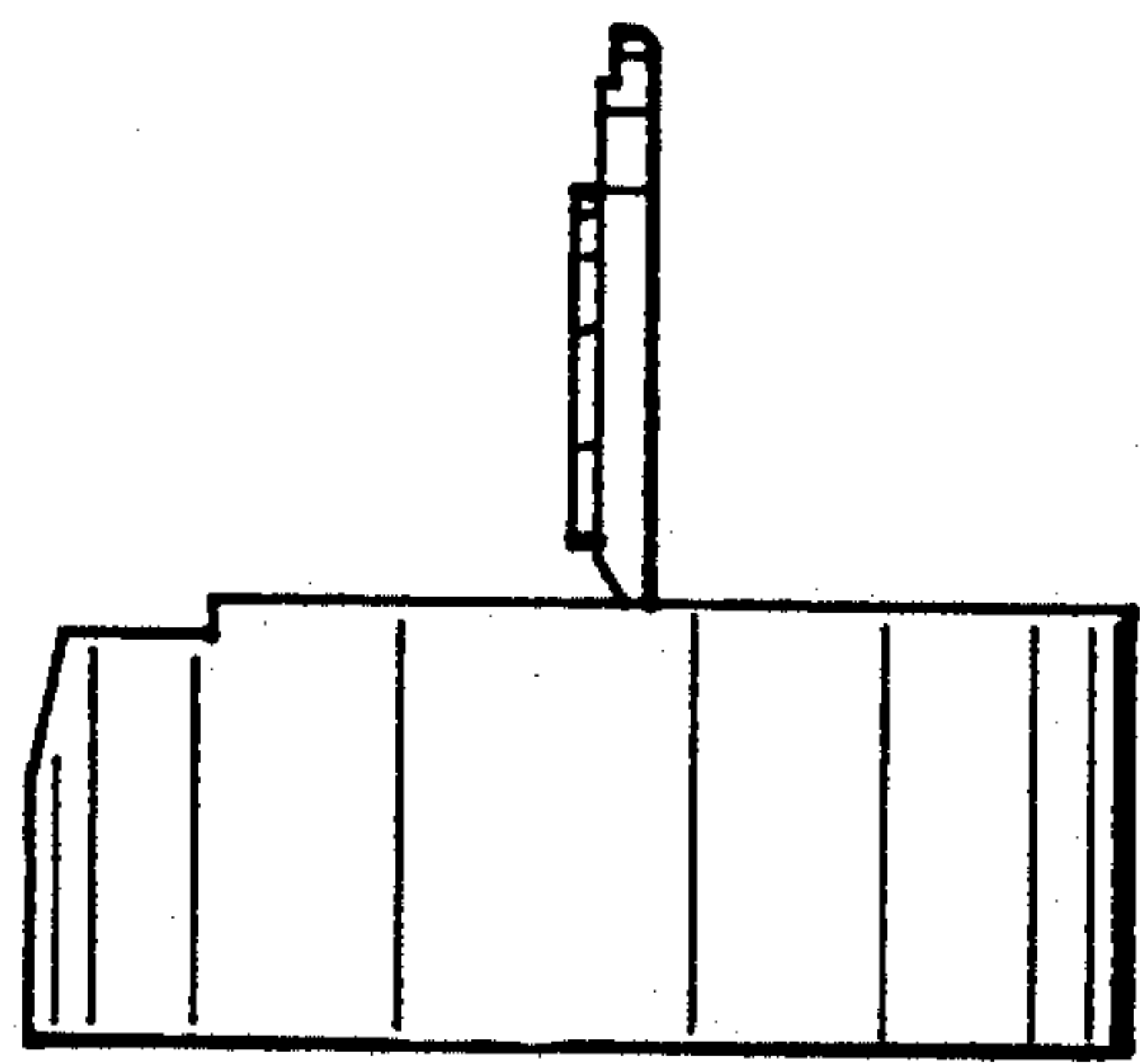


Fig. 5

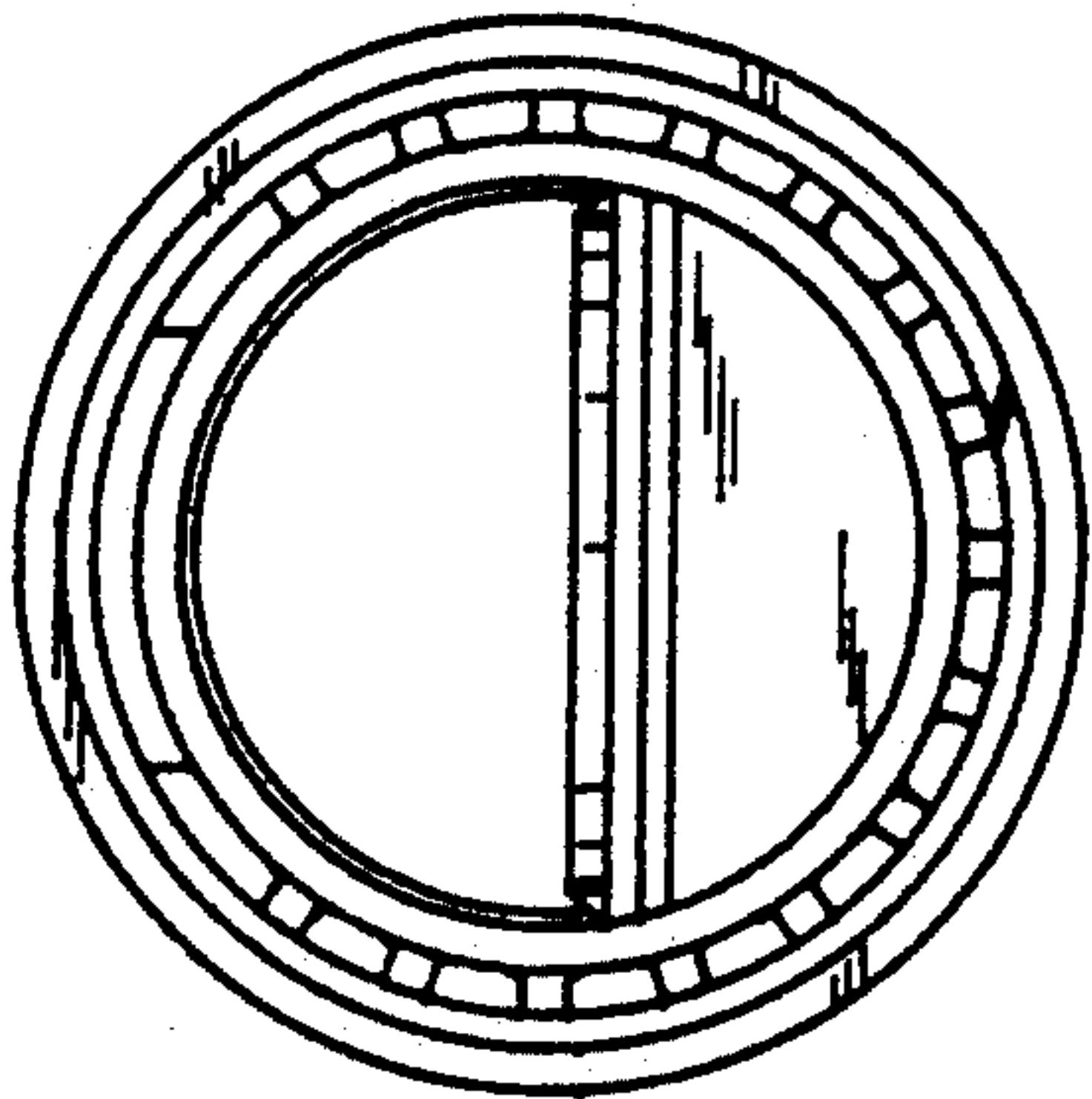


Fig. 6

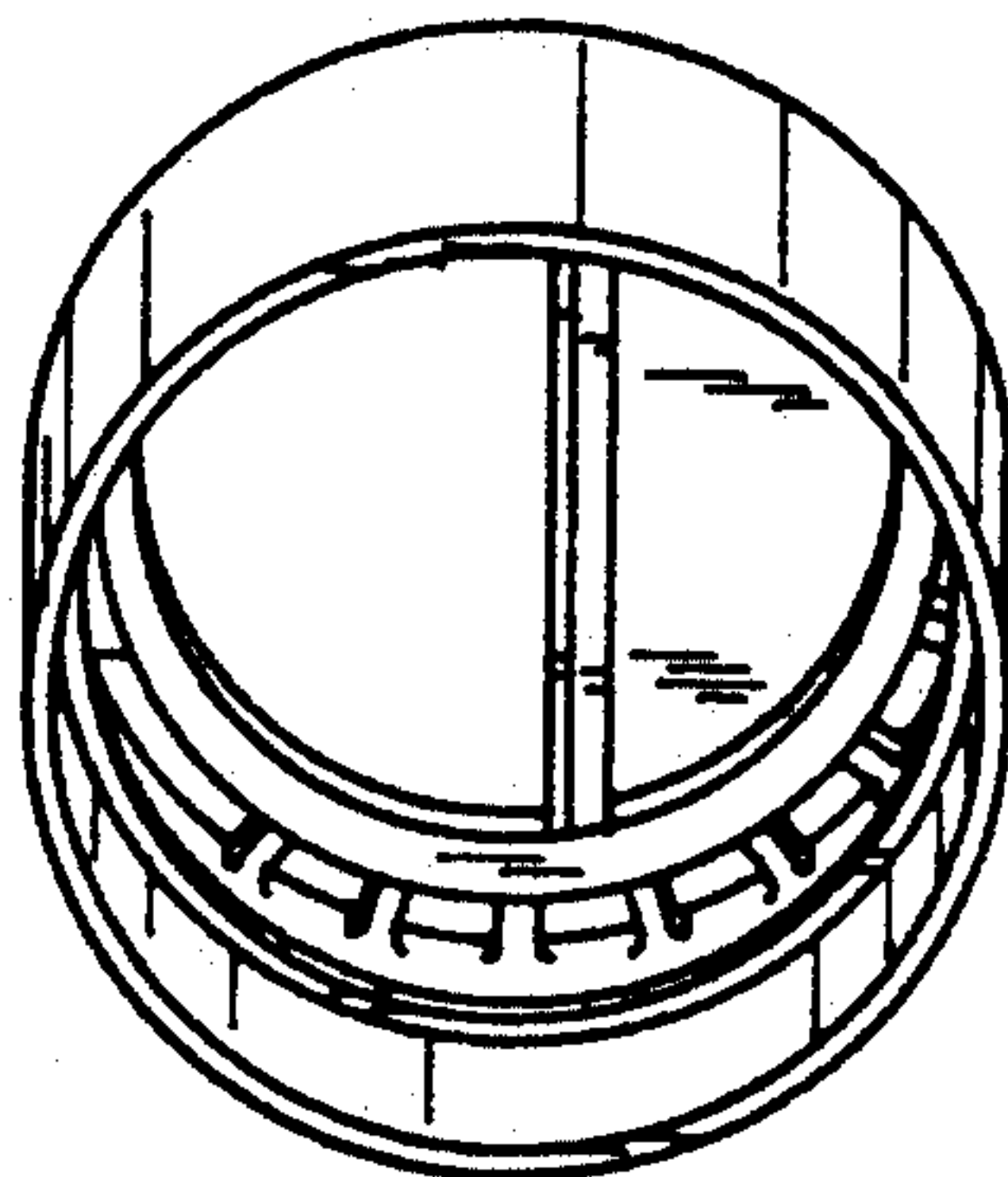


Fig. 7

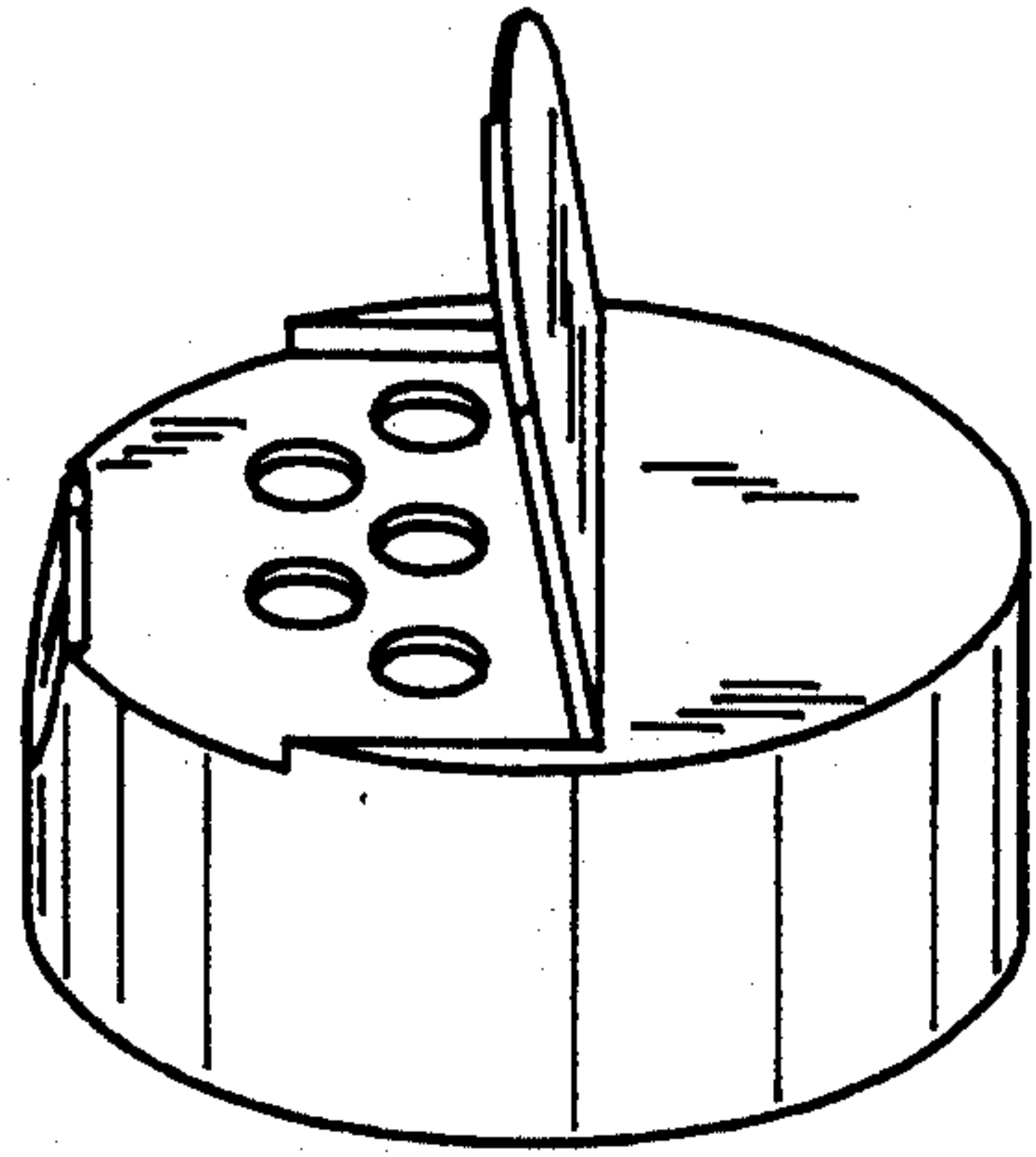


Fig. 8

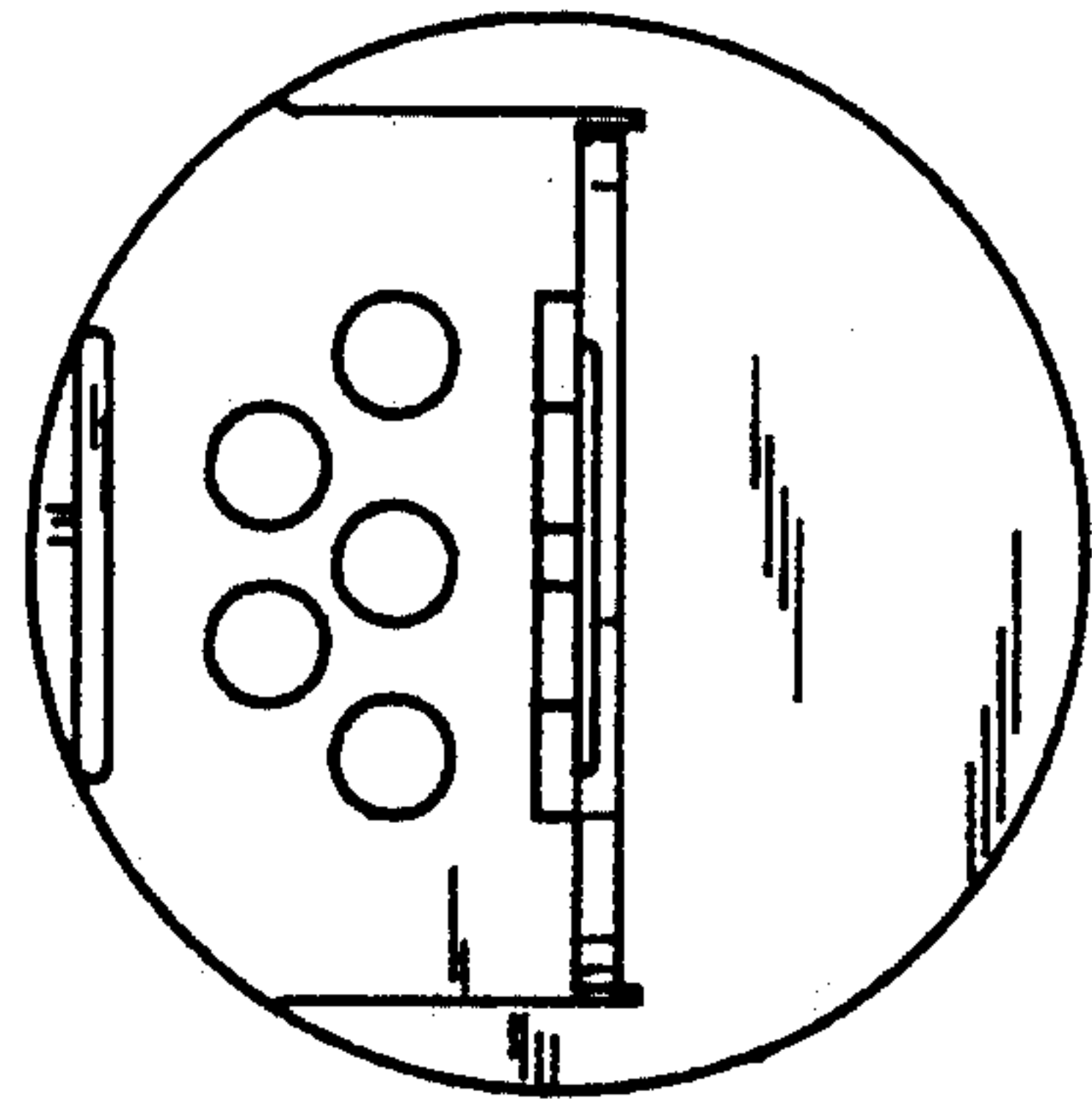


Fig. 9

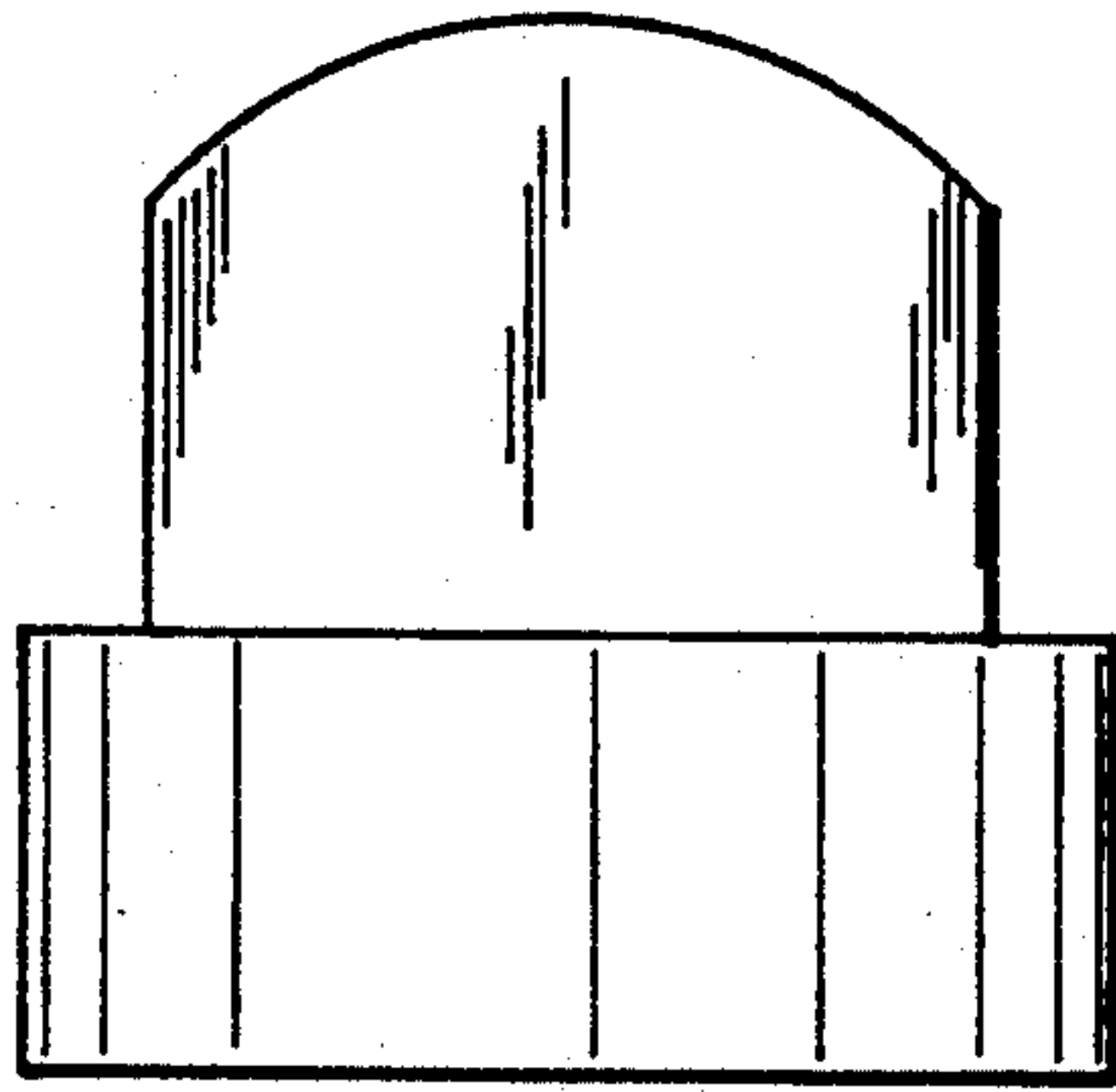


Fig. 10

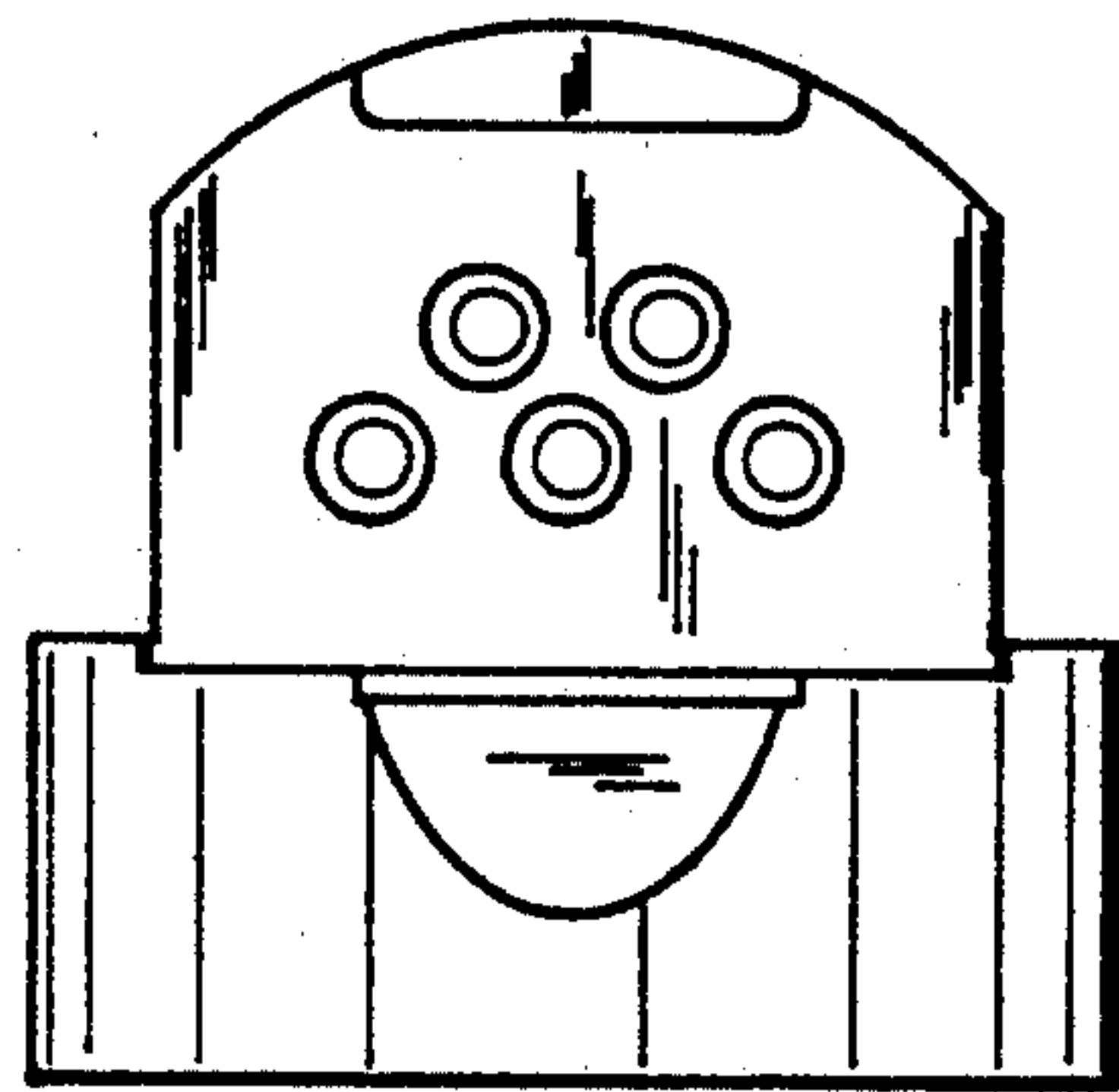


Fig. 11

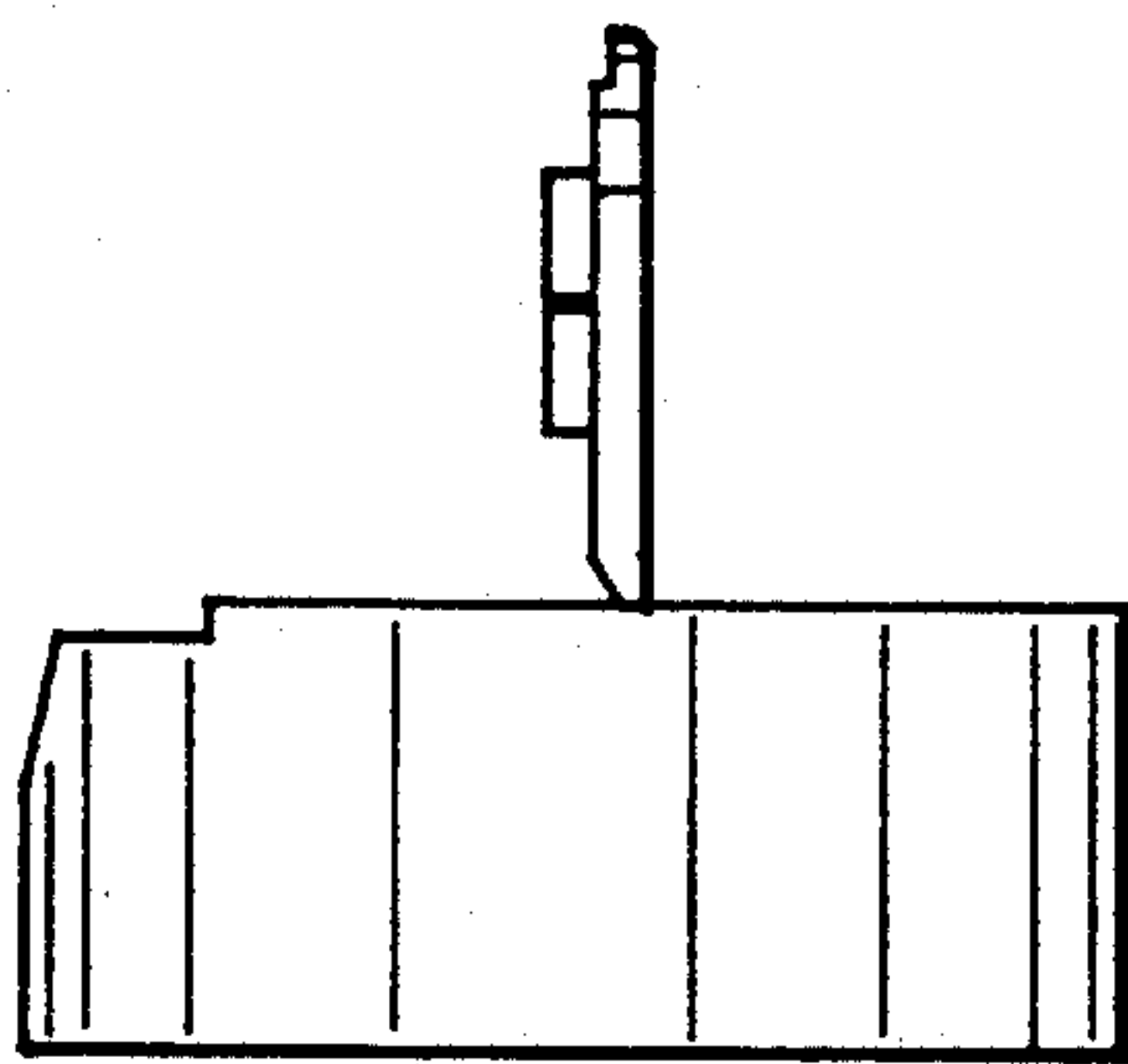


Fig. 12

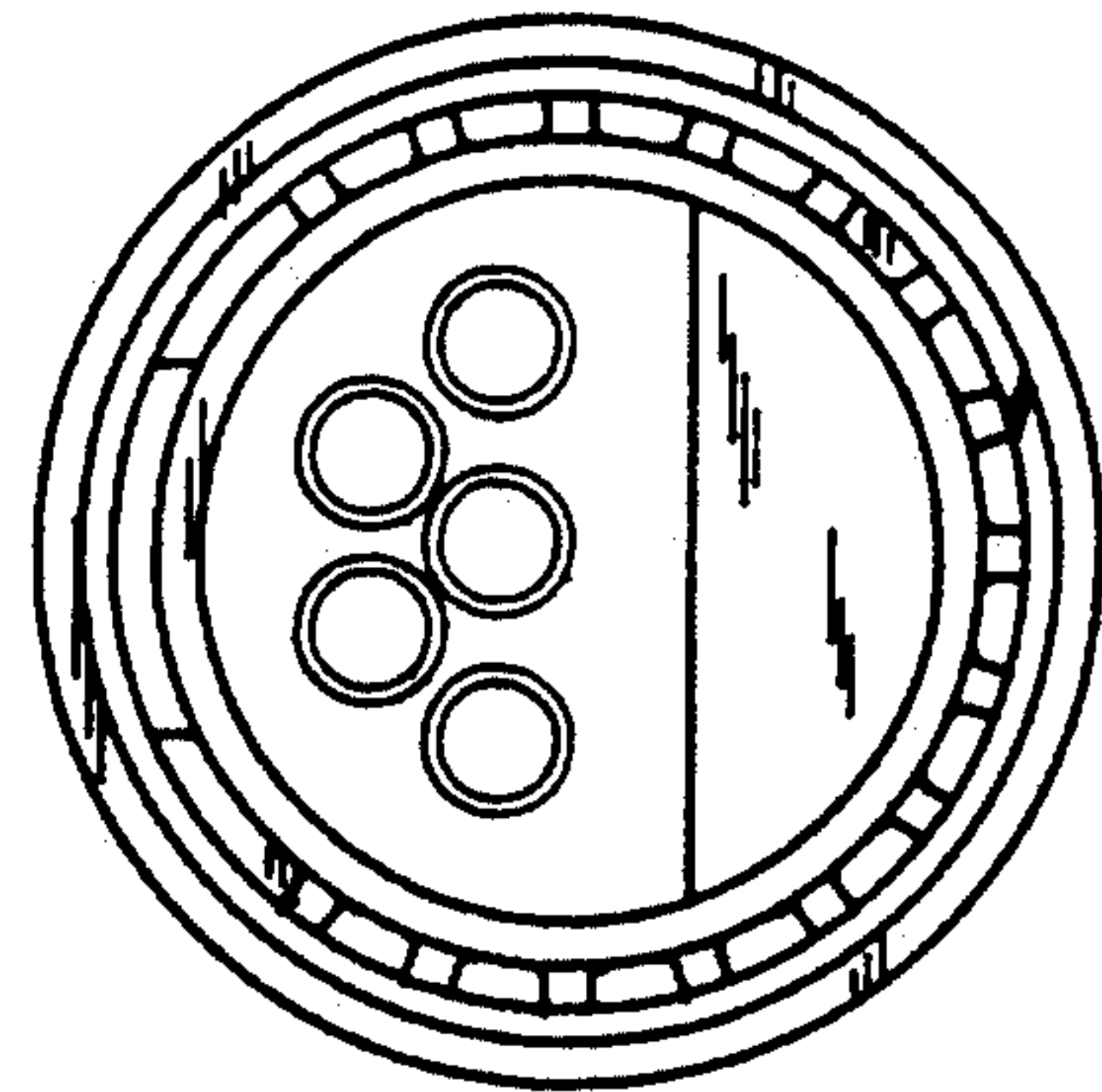


Fig. 13

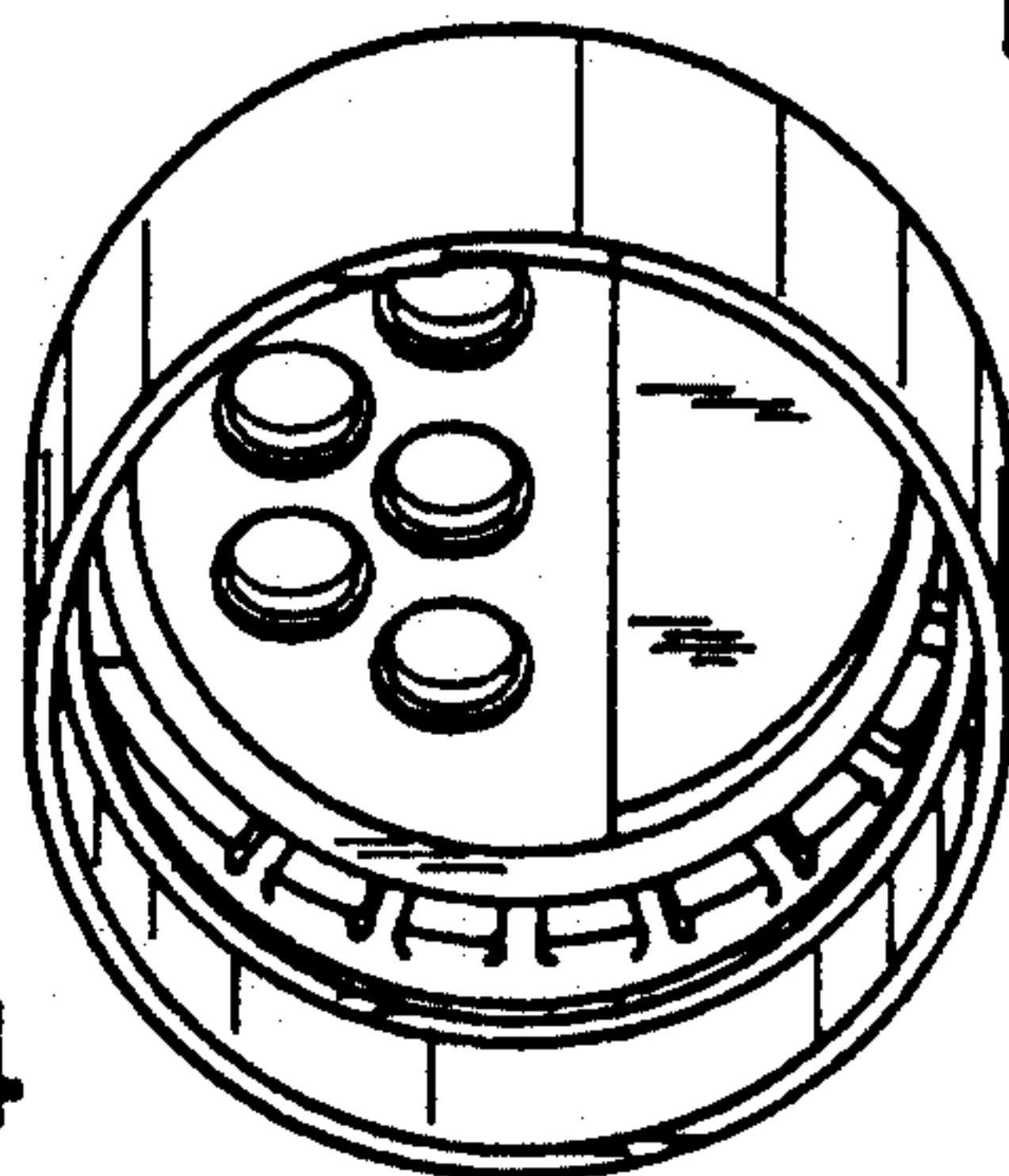


Fig. 14

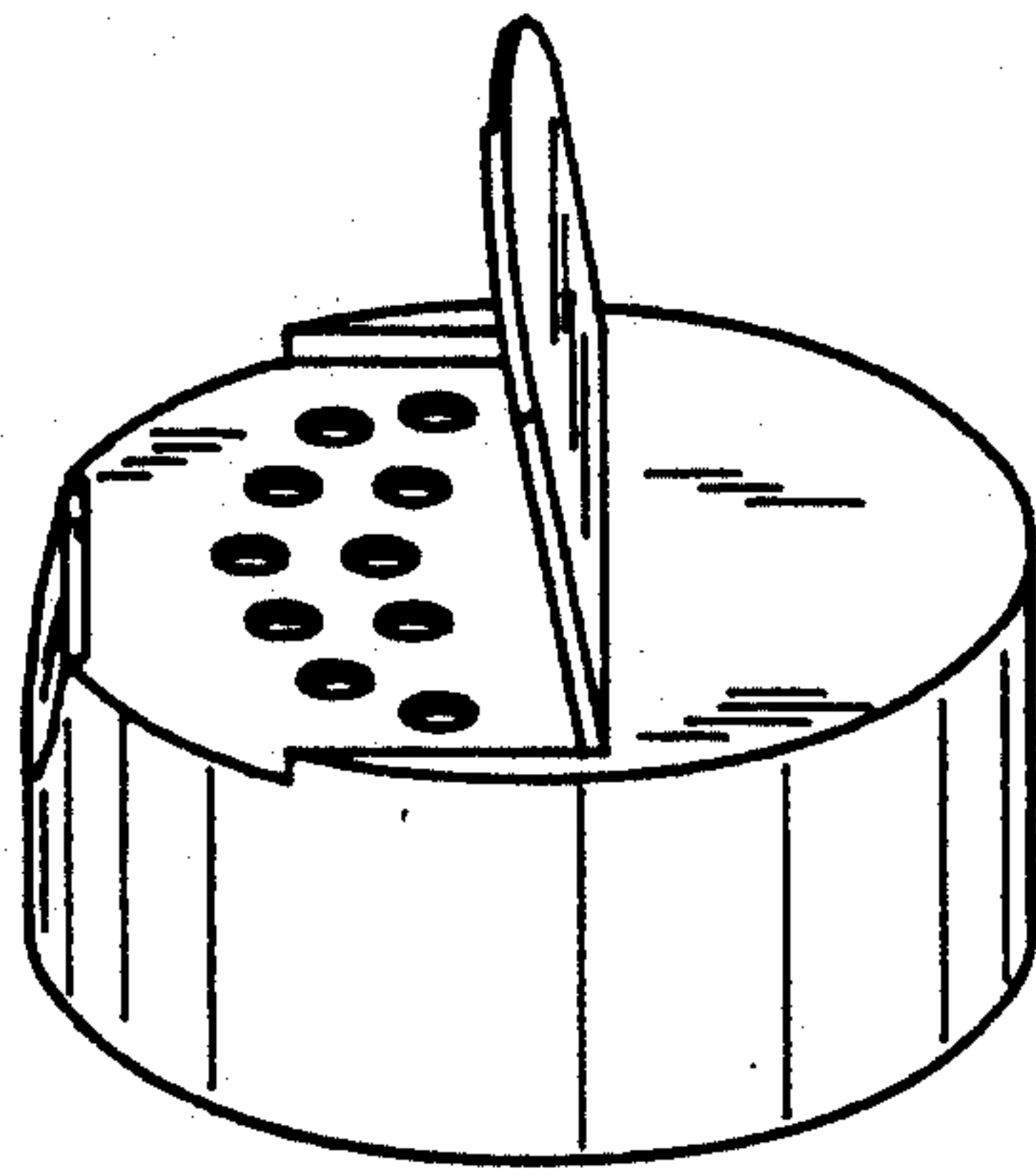


Fig. 15

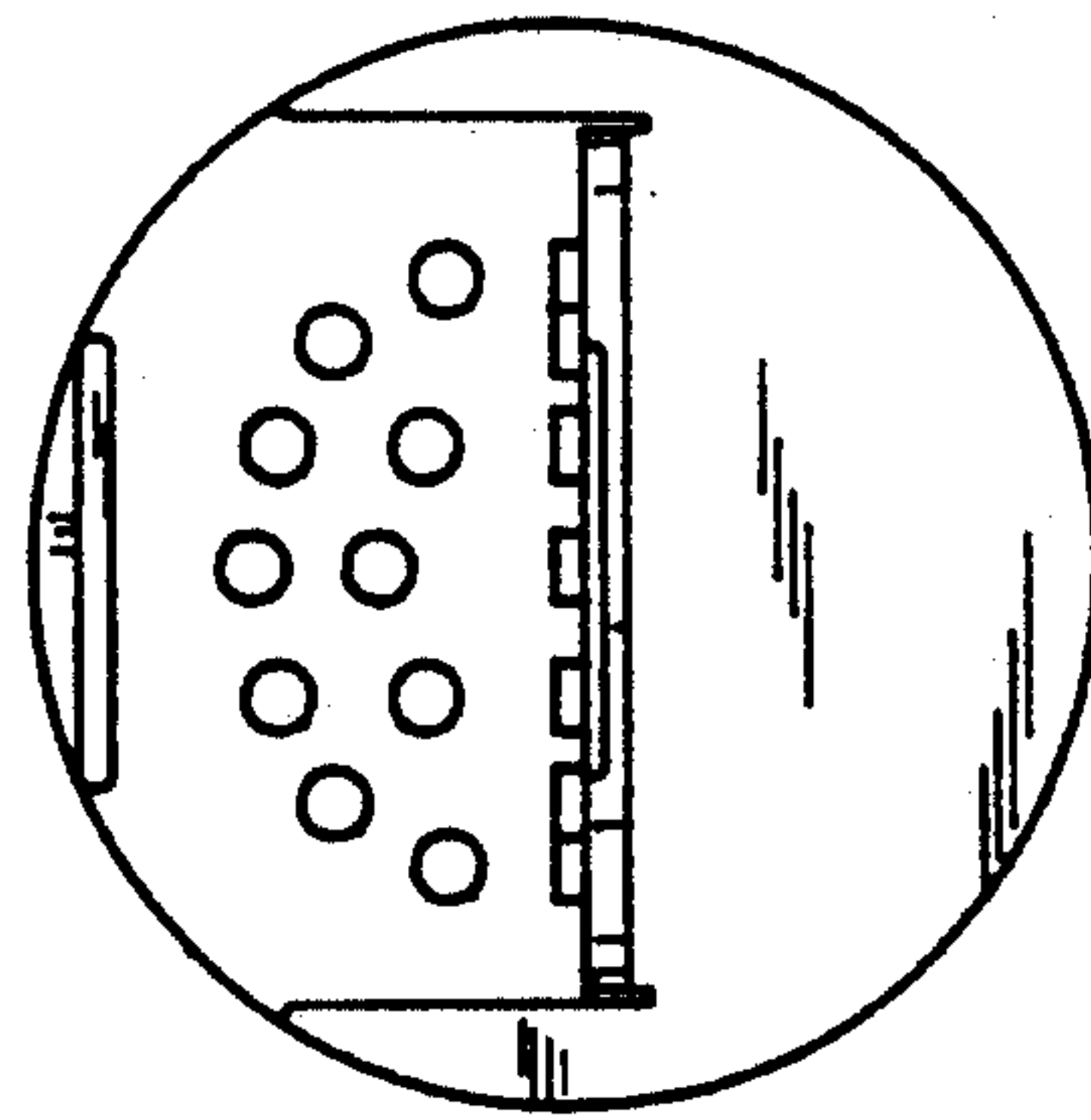


Fig. 16

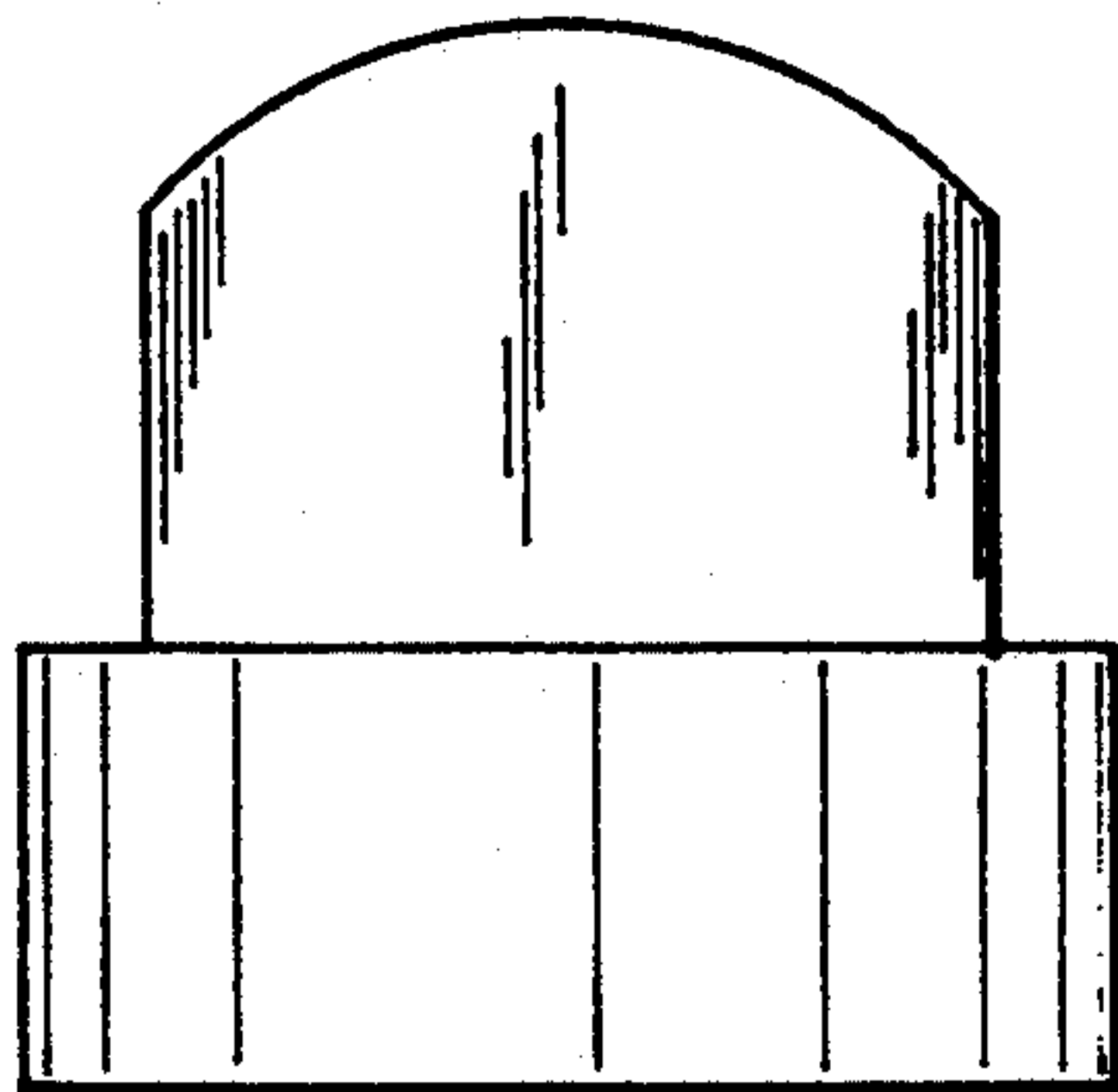


Fig. 17

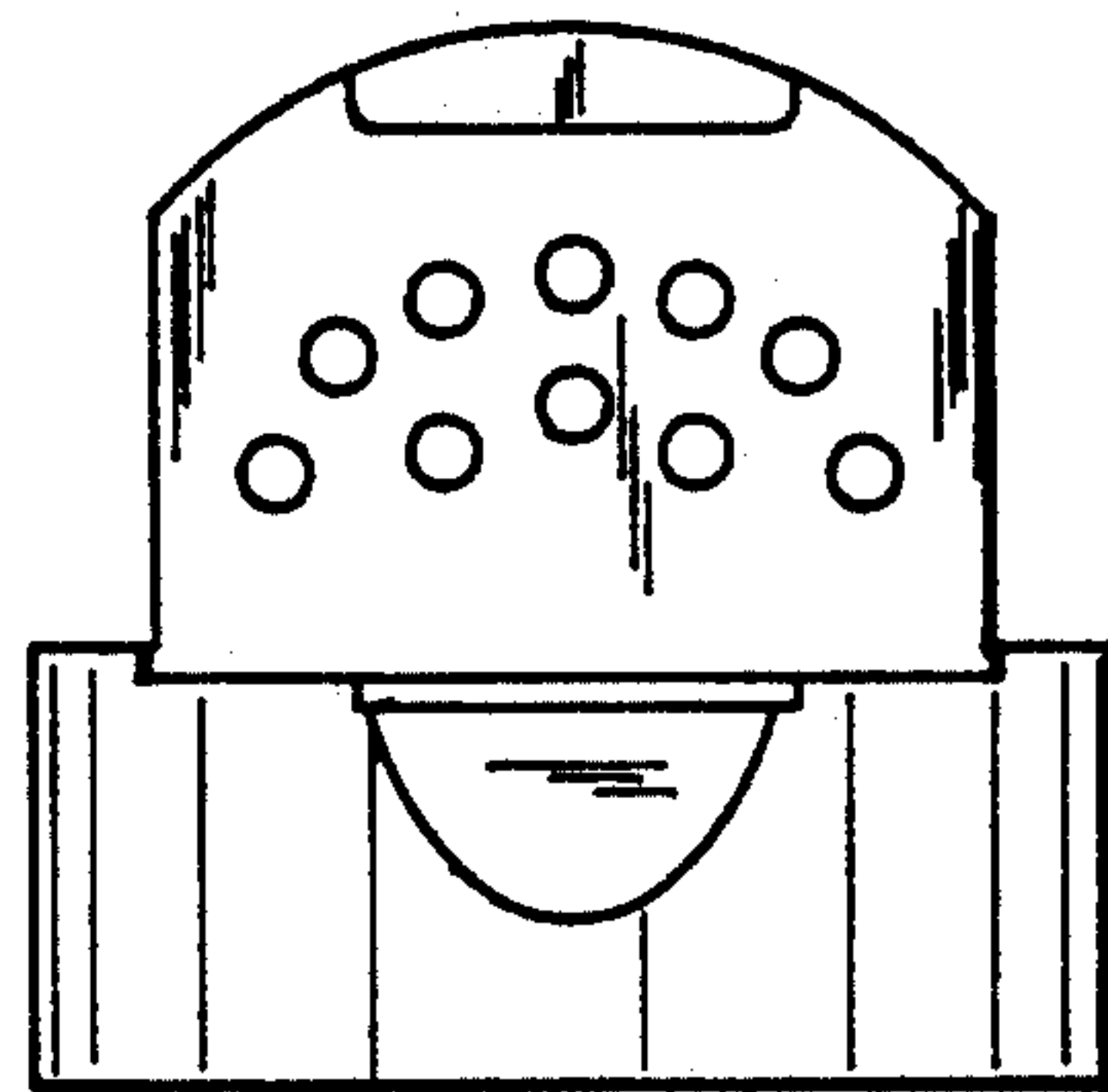


Fig. 18

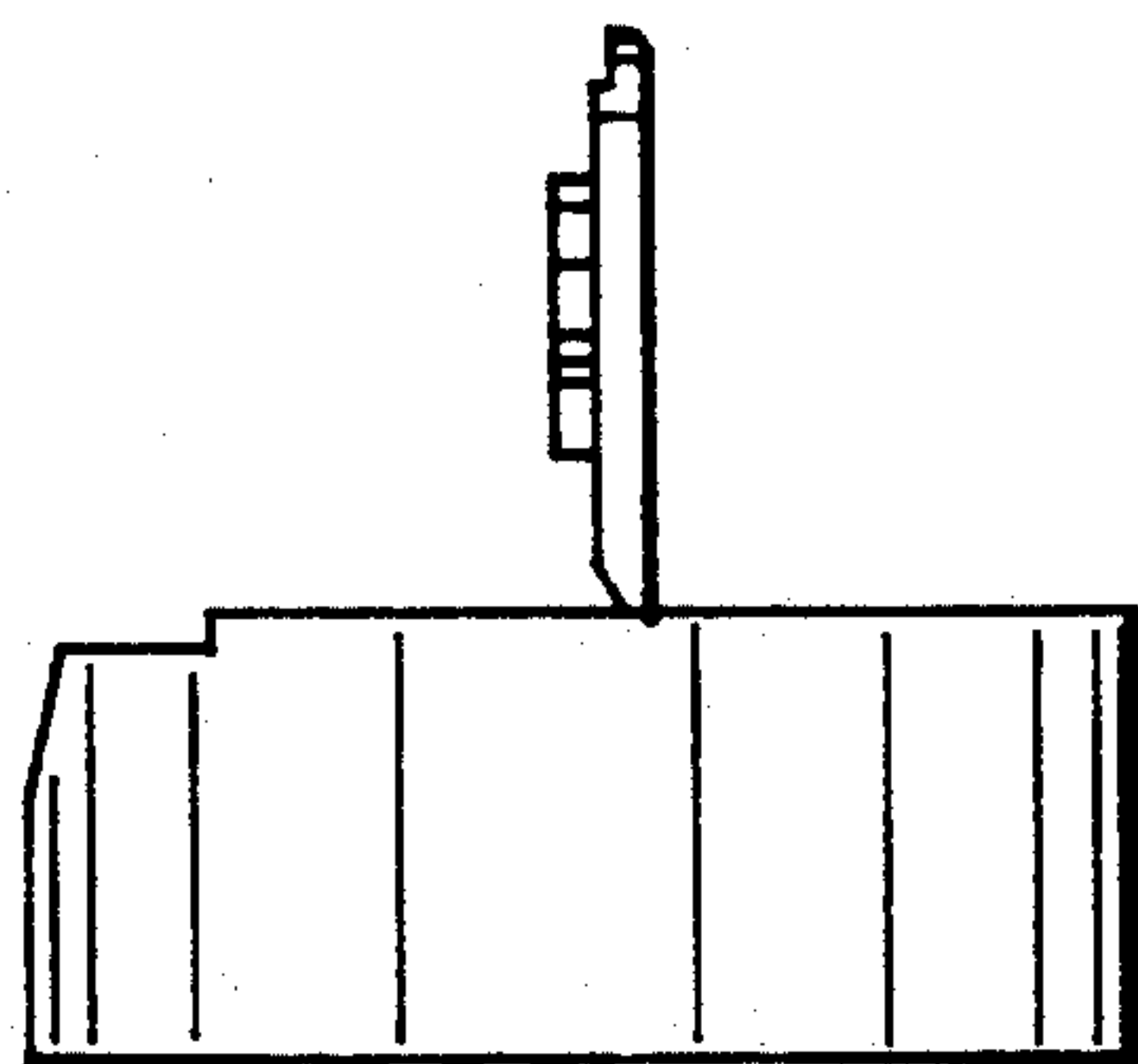


Fig. 19

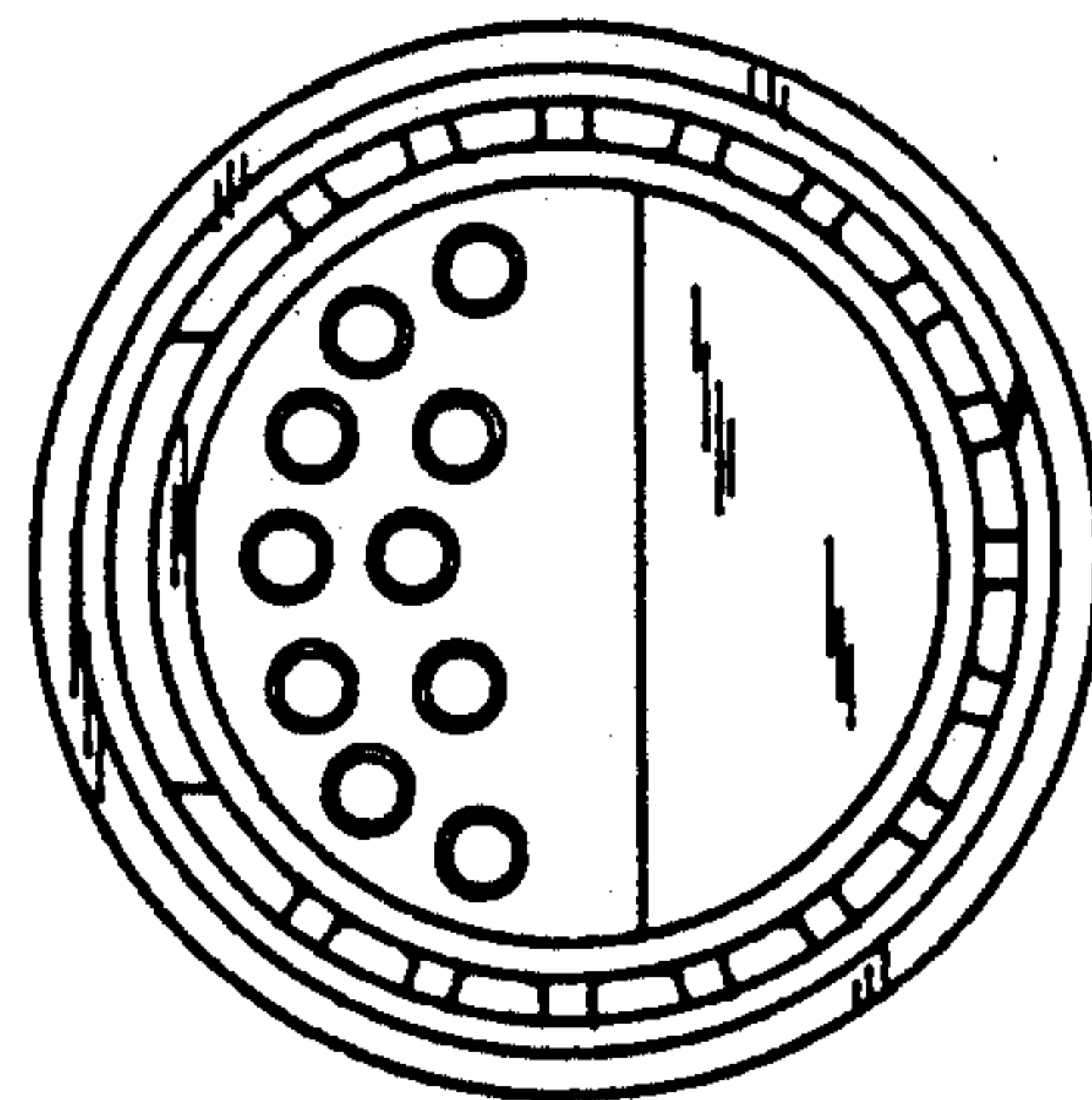


Fig. 20

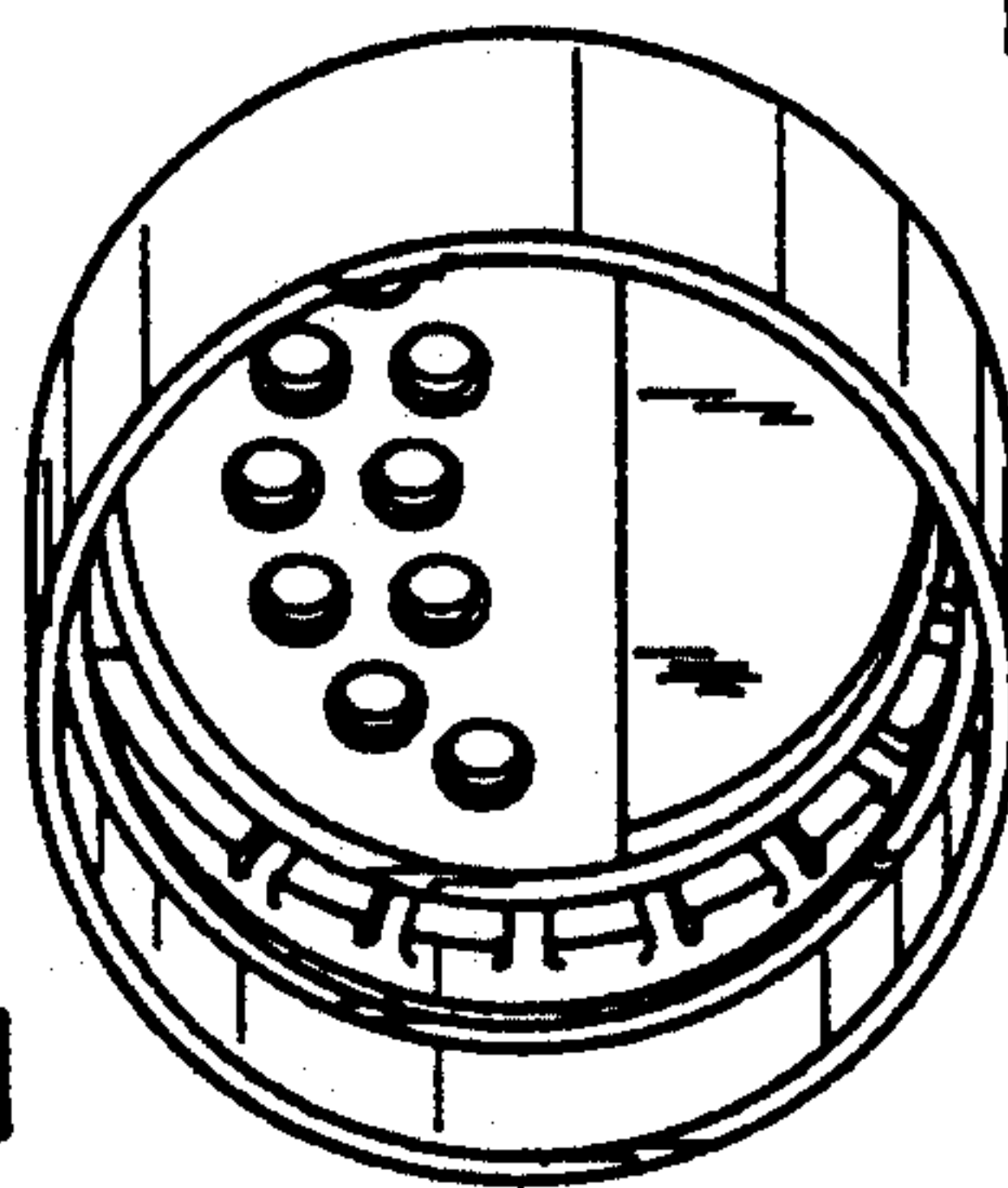


Fig. 21