



US00D339064S

# United States Patent [19]

[11] Patent Number: **Des. 339,064**

Richter

[45] Date of Patent: **\*\* Sep. 7, 1993**

[54] **TAMPER EVIDENT DEVICE FOR SOFT DRINK SYRUP CONTAINERS**

[75] Inventor: **Simon J. Richter, Marietta, Ga.**

[73] Assignee: **The Coca-Cola Company, Atlanta, Ga.**

[\*\*] Term: **14 Years**

[21] Appl. No.: **740,192**

[22] Filed: **Aug. 2, 1991**

[52] U.S. Cl. .... **D9/435**

[58] Field of Search ..... **D9/434, 435, 445; 220/214; 215/201; 222/153**

[56] **References Cited**

**U.S. PATENT DOCUMENTS**

D. 330,164 10/1992 Tanaka ..... **D9/435**  
4,782,970 11/1988 Edwards ..... **220/254**

*Primary Examiner*—Alan P. Douglas

*Assistant Examiner*—Ann Hunt

*Attorney, Agent, or Firm*—Thomas R. Boston; W. Dexter Brooks

[57] **CLAIM**

The ornamental design for a tamper evident device for soft drink syrup containers, as shown.

**DESCRIPTION**

FIG. 1 is a top, front left side perspective view of a tamper evident device for soft drink syrup containers showing my new design;

FIG. 2 is a top plan view;

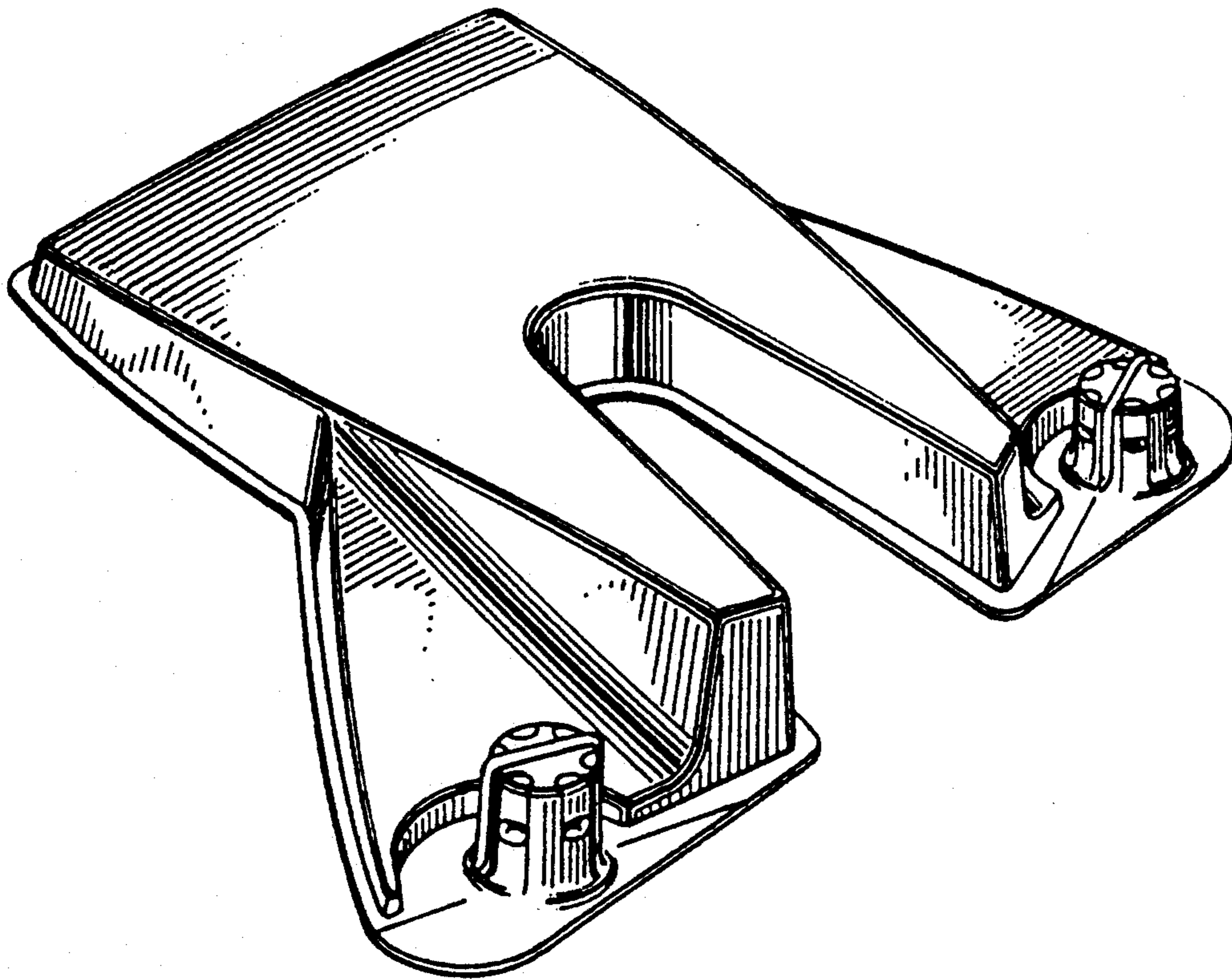
FIG. 3 is a front elevational view;

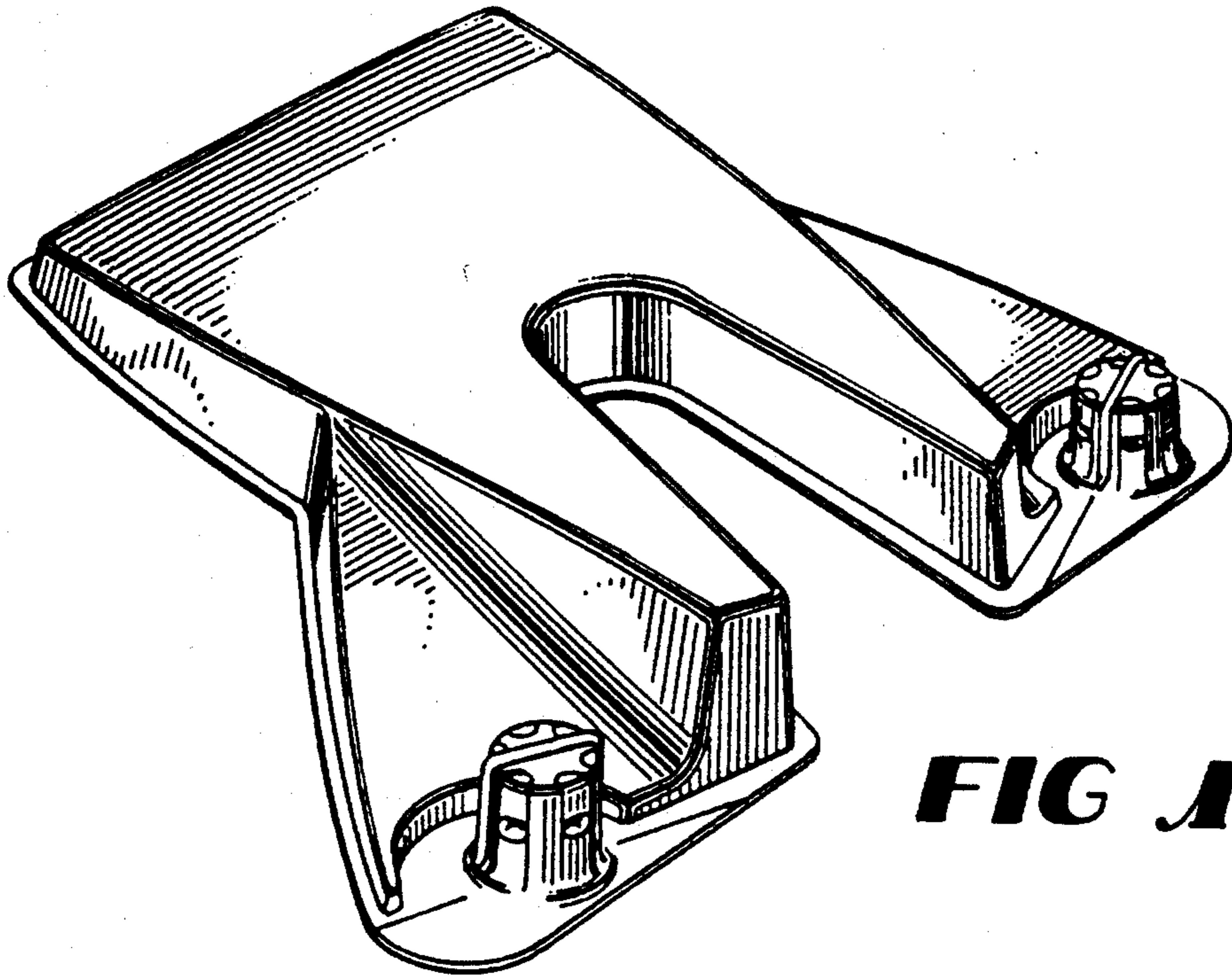
FIG. 4 is a bottom plan view;

FIG. 5 is a rear elevational view;

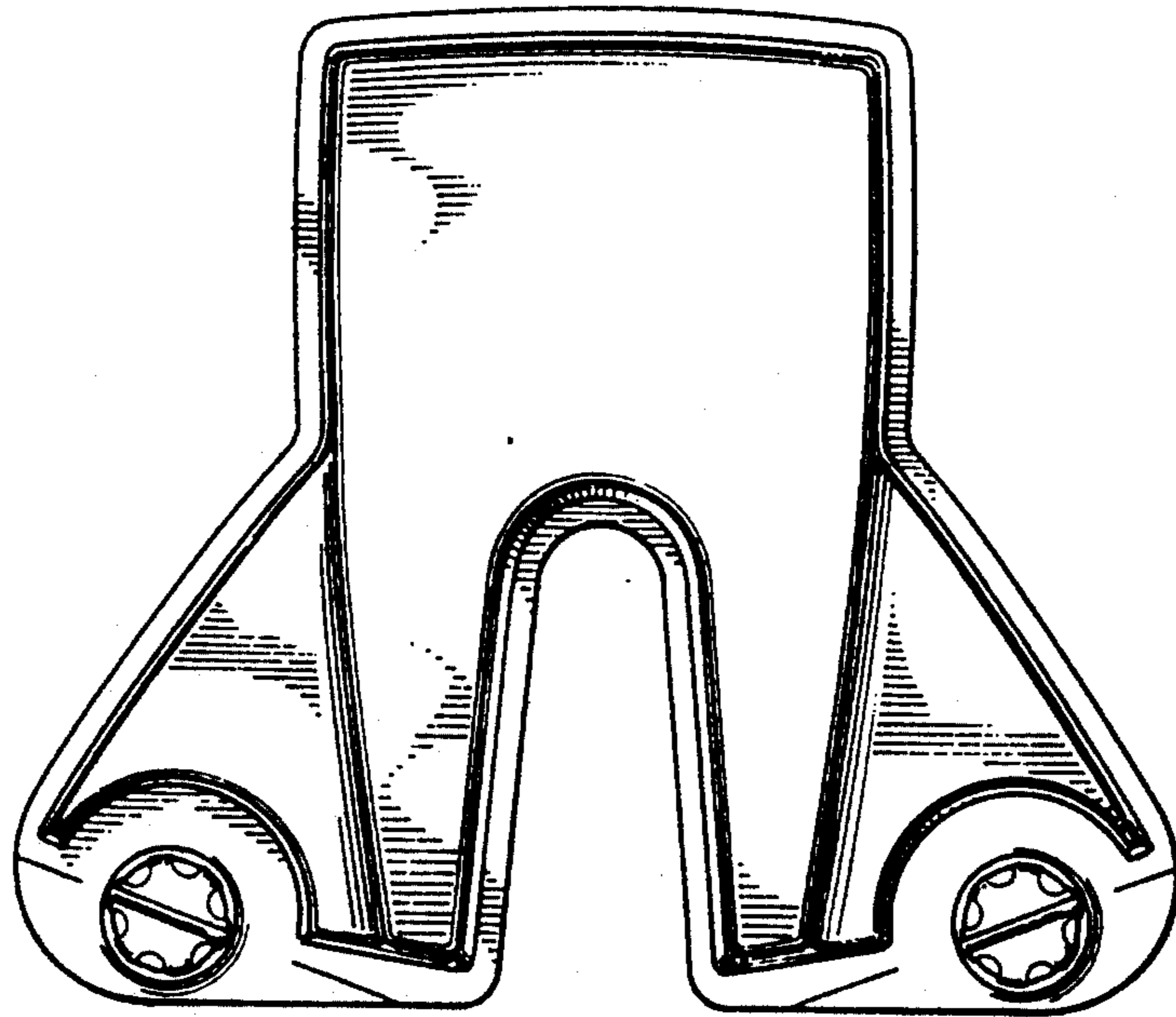
FIG. 6 is a right side elevational view; and,

FIG. 7 is a left side elevational view thereof.

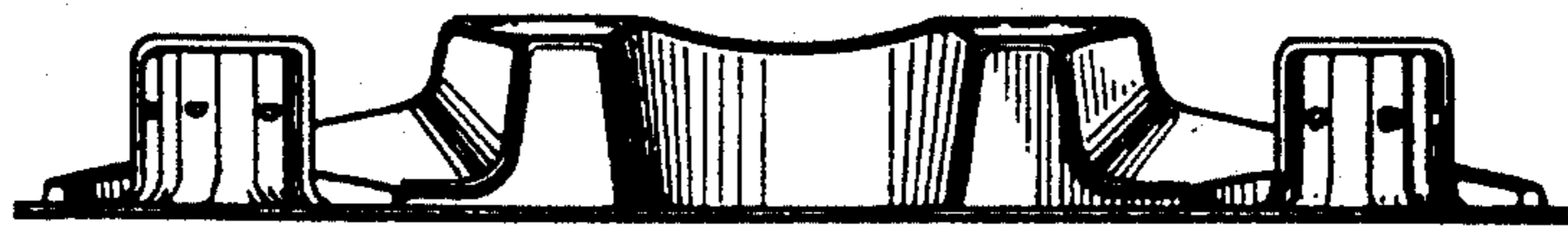




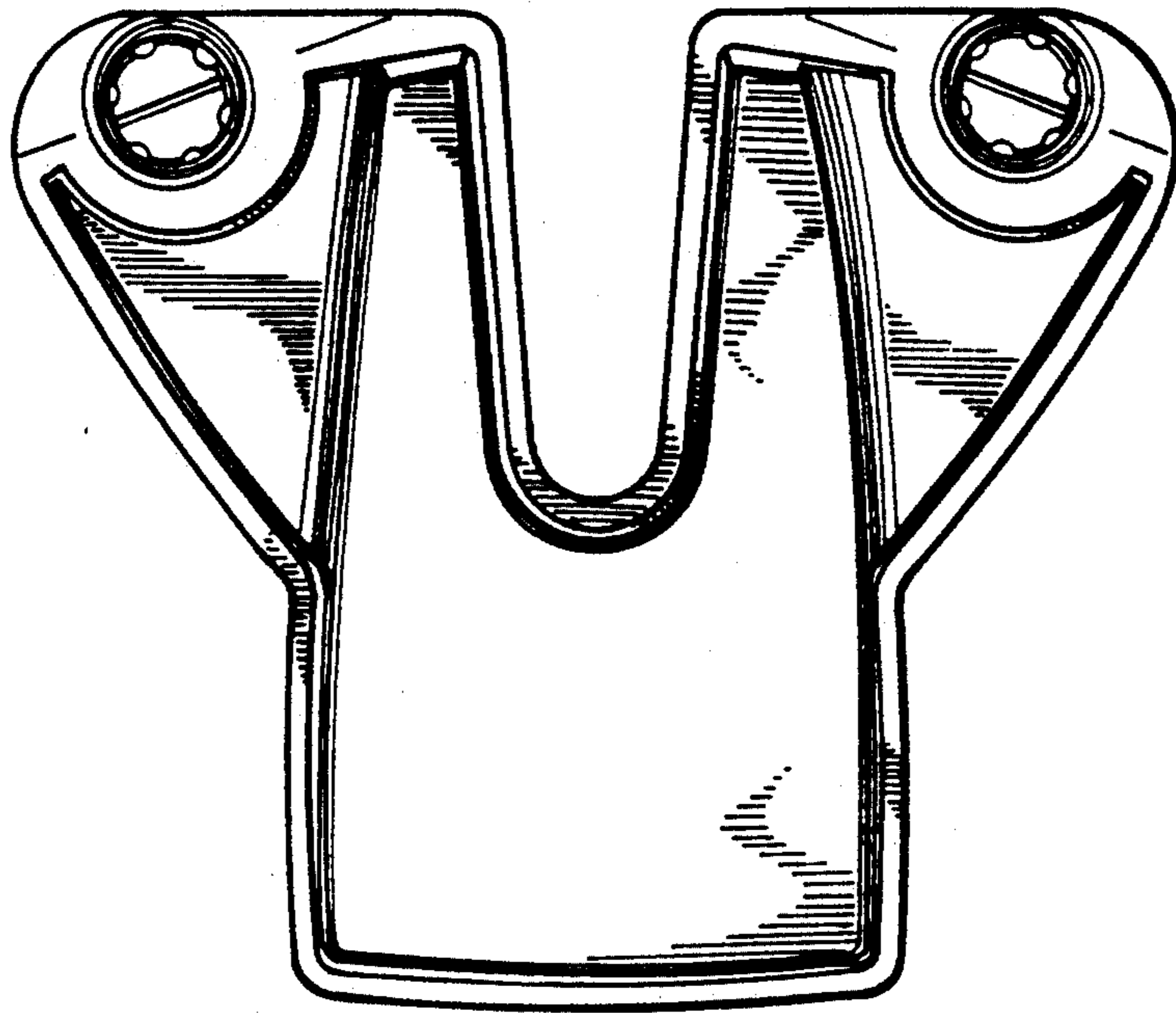
**FIG 1**



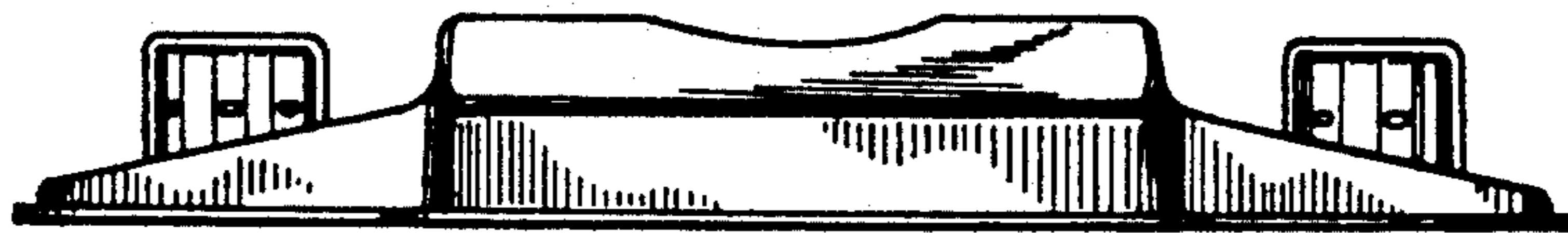
**FIG 2**



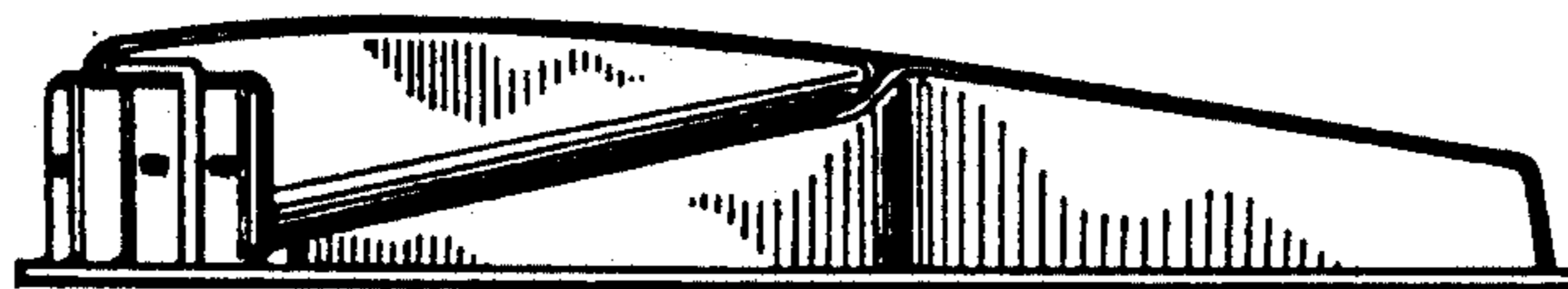
**FIG 3**



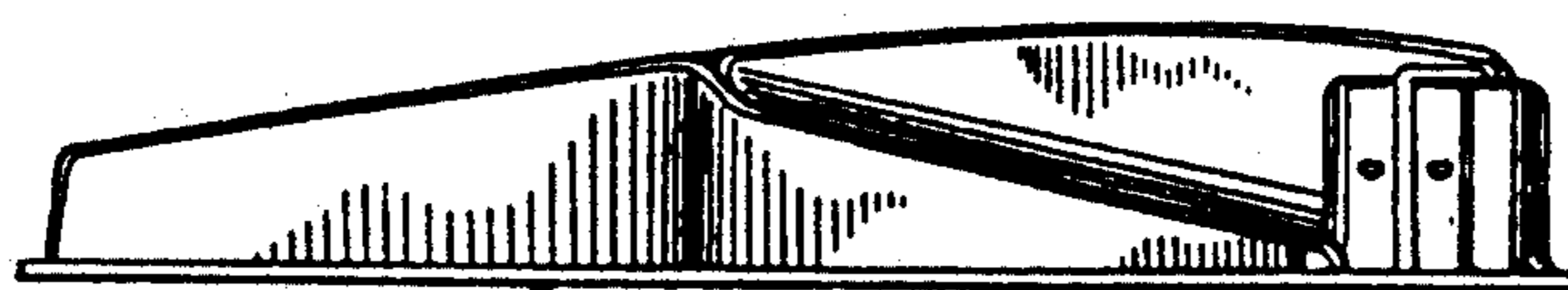
**FIG 4**



**FIG 5**



**FIG 6**



**FIG 7**