



US00D339060S

United States Patent [19]

Cortelli et al.

[11] Patent Number: **Des. 339,060**

[45] Date of Patent: **** Sep. 7, 1993**

[54] **PACKAGE FOR BALLS AND PUMP**

[75] Inventors: **David Cortelli, Suffield, Conn.; Frank Carter, Wilbraham; Kenneth W. Pratt, Ware, both of Mass.**

[73] Assignee: **Seneca Sports, Inc., Milford, Mass.**

[**] Term: **14 Years**

[21] Appl. No.: **793,717**

[22] Filed: **Nov. 18, 1991**

D. 329,377	9/1992	Cortelli et al.	D9/418
3,220,520	11/1965	Glantz et al.	206/315.9
3,504,787	4/1970	Brockway	D9/418 X
3,695,452	10/1972	Surman	206/45.34 X
3,987,893	10/1976	Hanson	206/45.31 X
4,011,942	3/1977	Crosslen	206/45.34 X
4,139,093	2/1979	Holmes	220/4.23 X
4,848,577	7/1989	Hoffman et al.	206/45.34 X

Primary Examiner—Prabhakar G. Deshmukh
Attorney, Agent, or Firm—Fish & Richardson

Related U.S. Application Data

[63] Continuation-in-part of Ser. No. 615,648, Nov. 19, 1990, Pat. No. Des. 329,377.

[52] U.S. Cl. **D9/415; D9/341; D9/418**

[58] Field of Search **D9/415, 418, 341, 347, D9/414, 337; 206/461-471, 45.31, 45.34, 216, 579, 318.9; 229/162; 220/4.22, 4.23, 4.24, 339**

[56] References Cited

U.S. PATENT DOCUMENTS

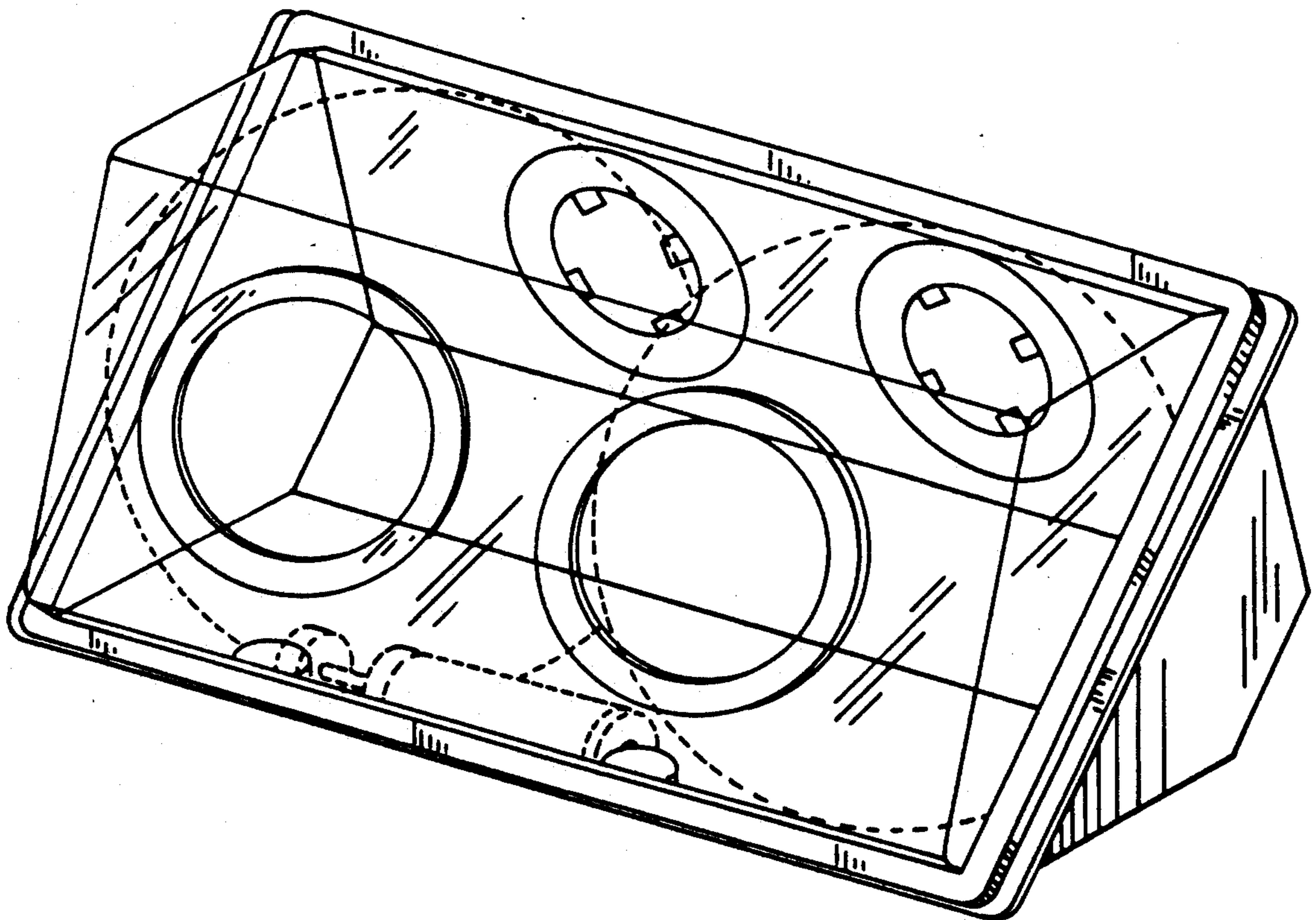
D. 267,394	12/1982	Liptak et al.	D9/415
D. 318,426	7/1991	Vroonen	D9/418 X

[57] CLAIM

The ornamental design for a package for balls and pump, as shown and described.

DESCRIPTION

FIG. 1 is a perspective view of a package for balls and pump showing our new design; FIG. 2 is a front elevational view thereof; FIG. 3 is a rear elevational view thereof; FIG. 4 is a right side elevational view thereof; FIG. 5 is a left side elevational view thereof; FIG. 6 is a top plan view thereof; and, FIG. 7 is a bottom plan view thereof. The broken line showing of balls and pump is for an illustrative purposes only and forms no part of the claim.



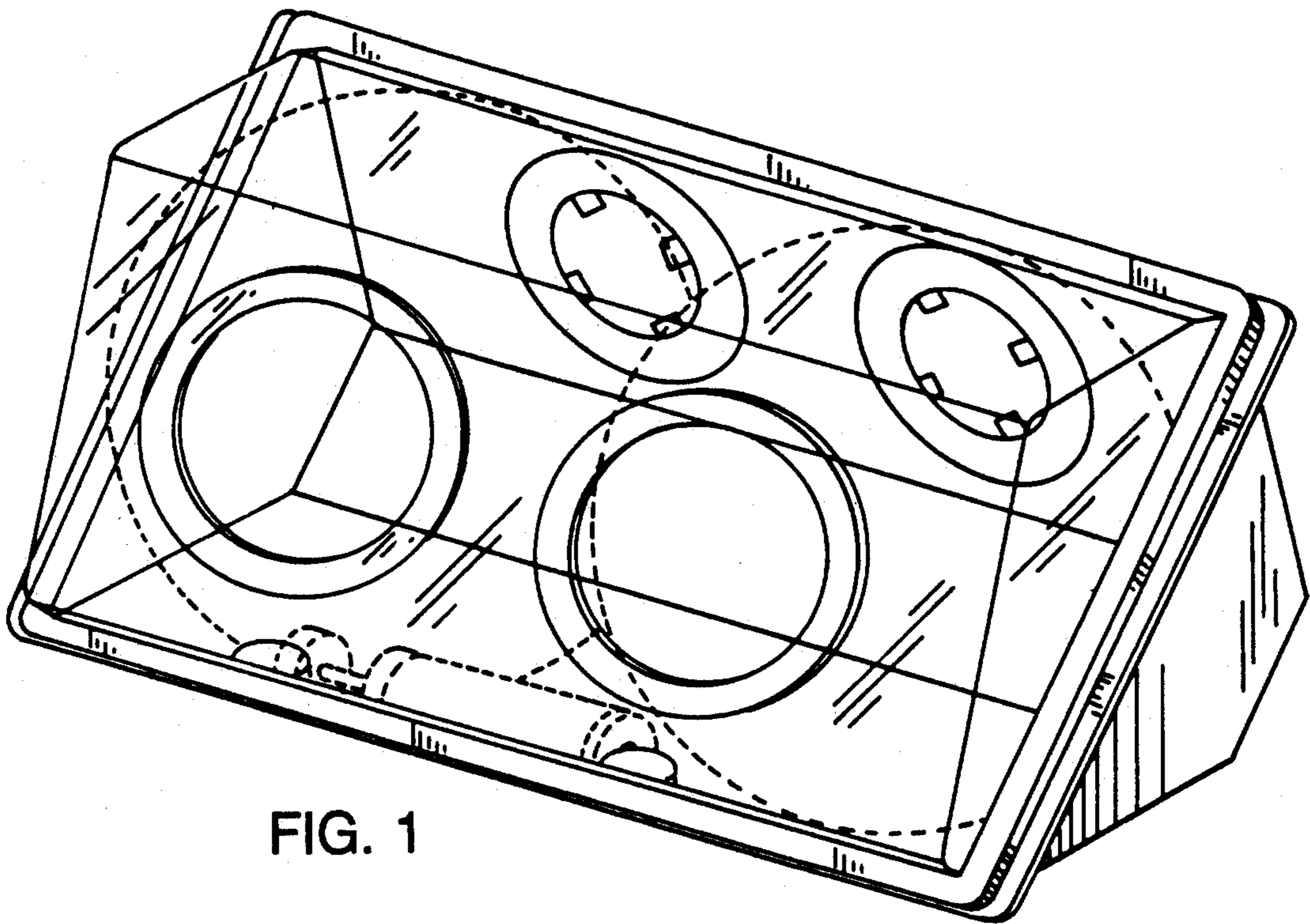


FIG. 1

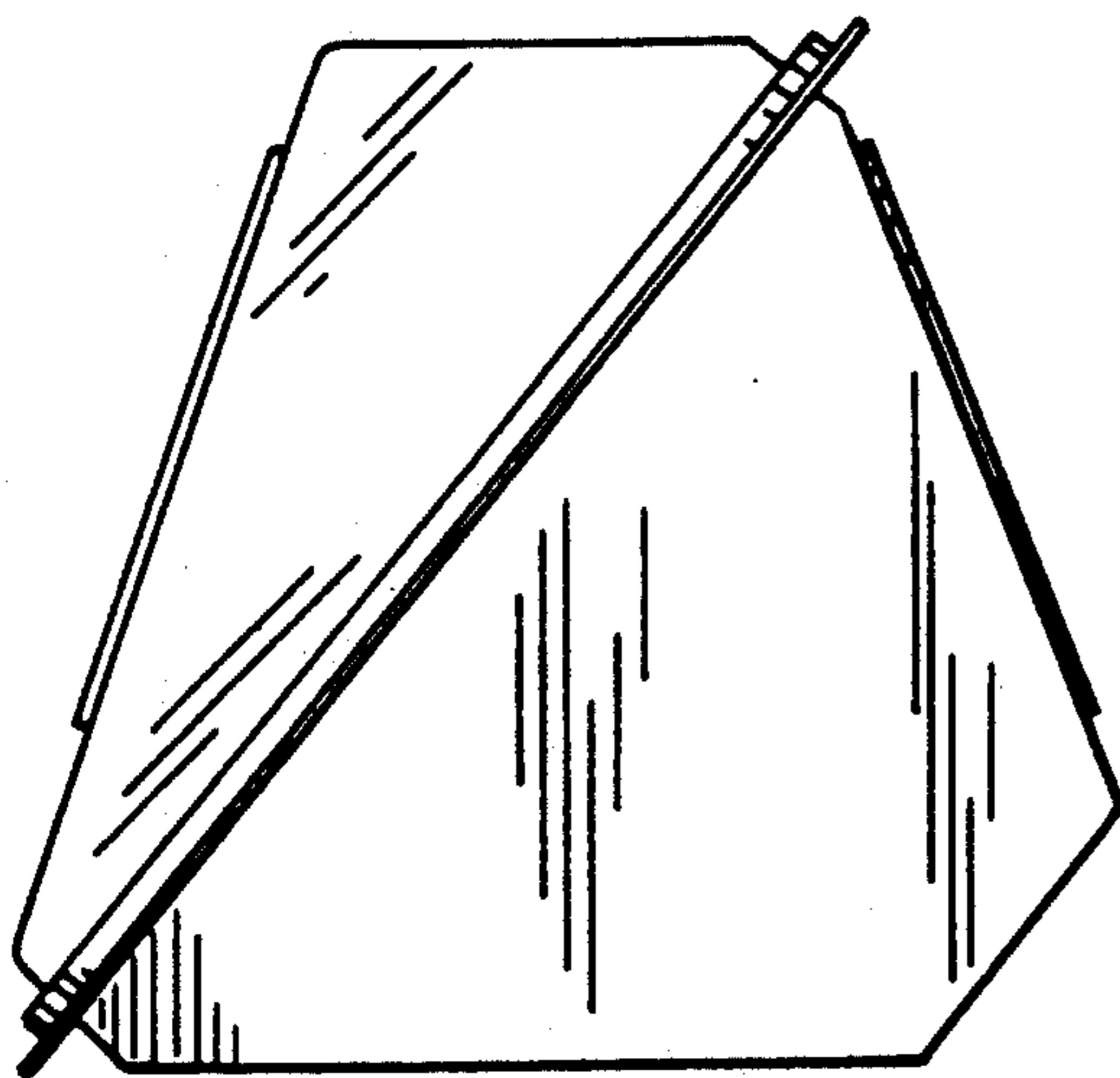


FIG. 4

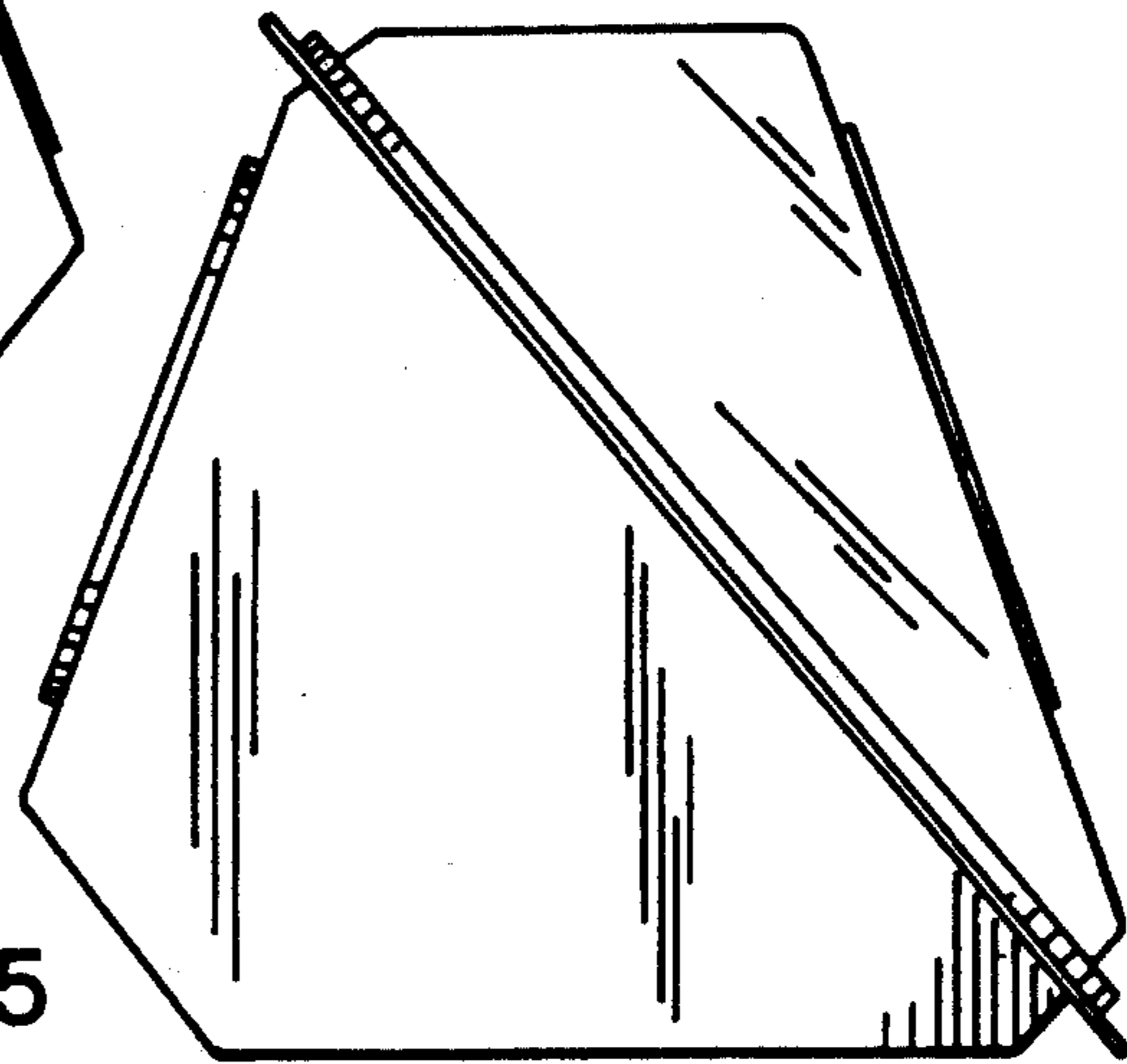


FIG. 5

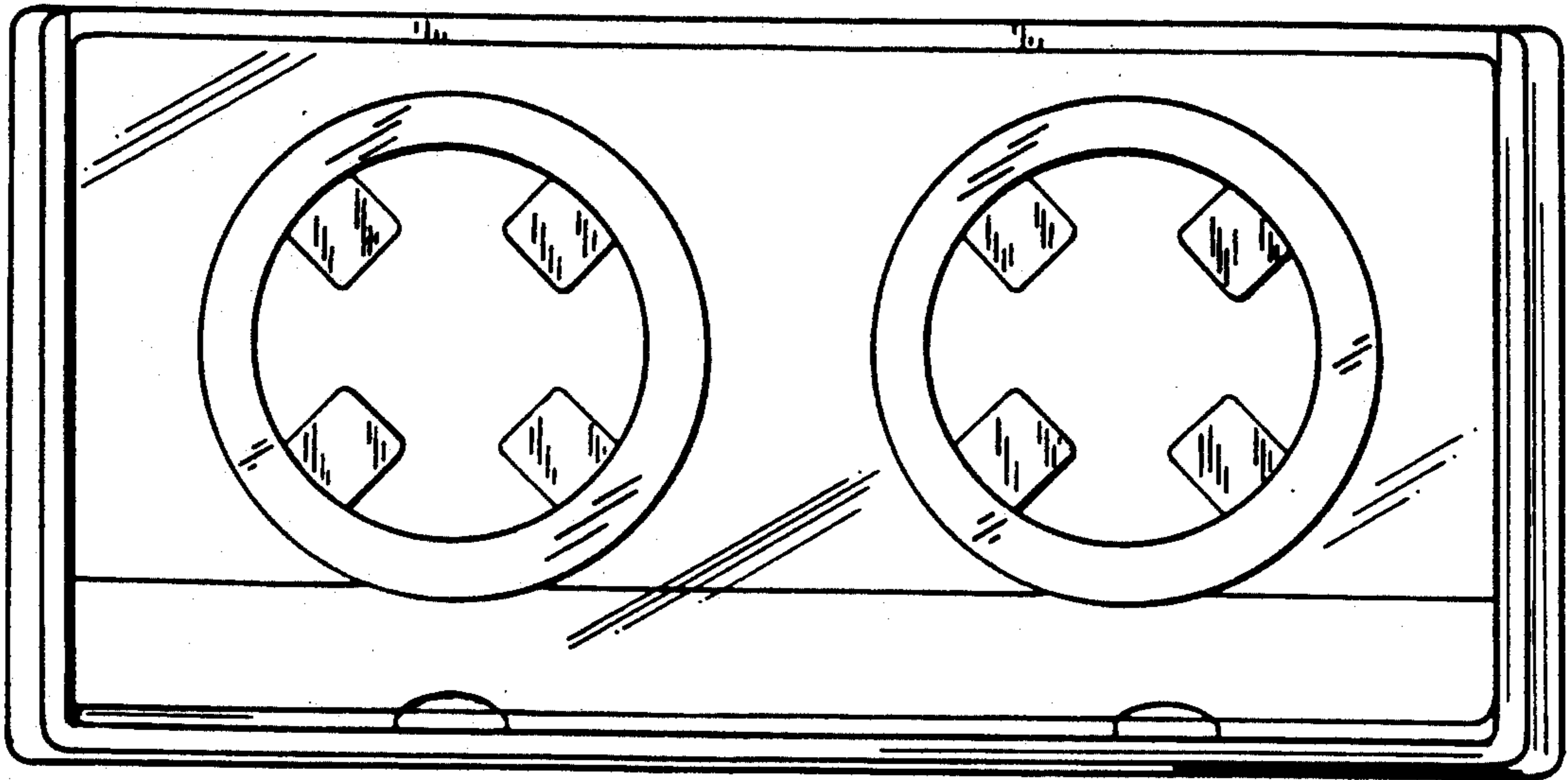


FIG. 2

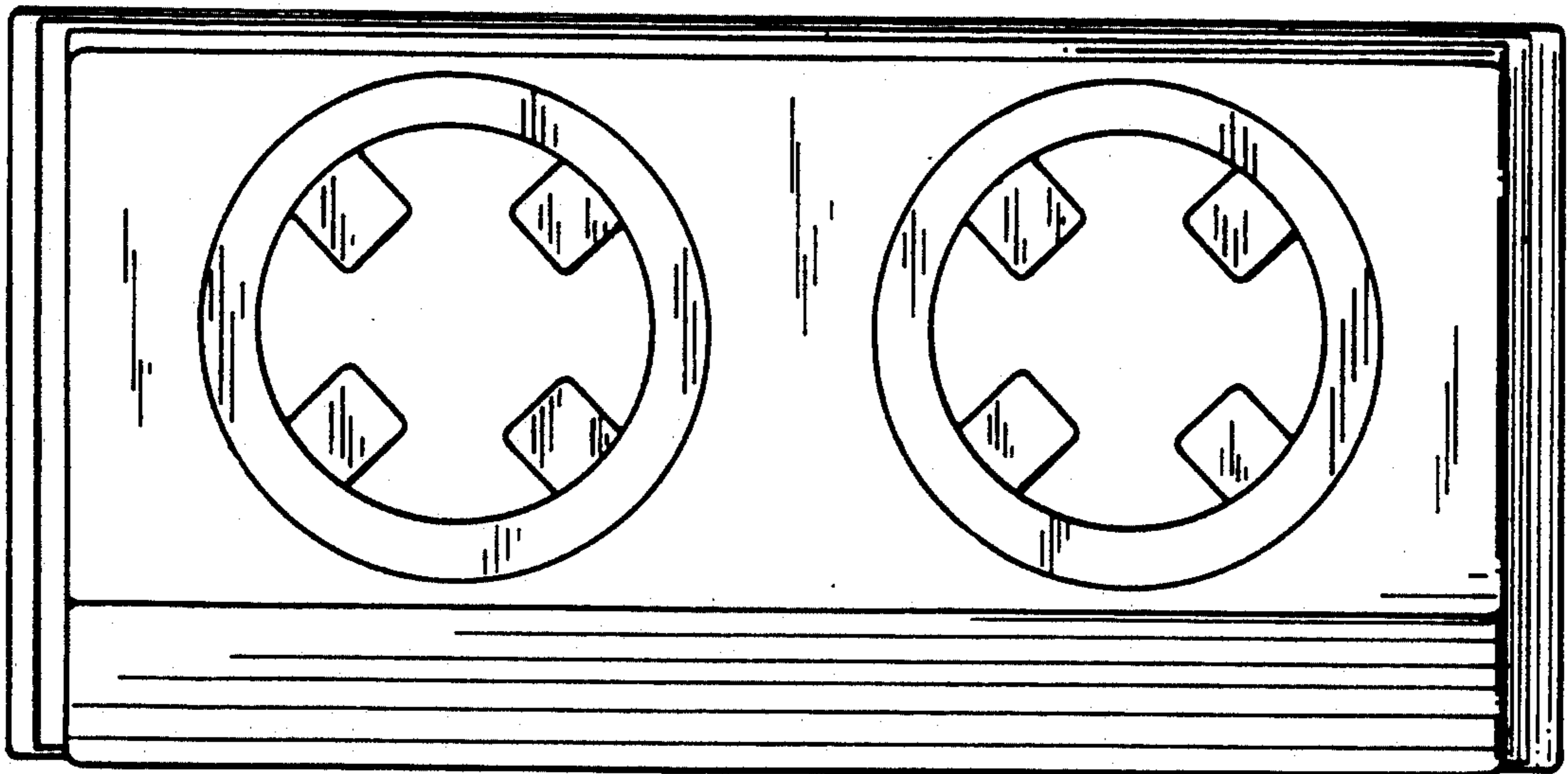


FIG. 3

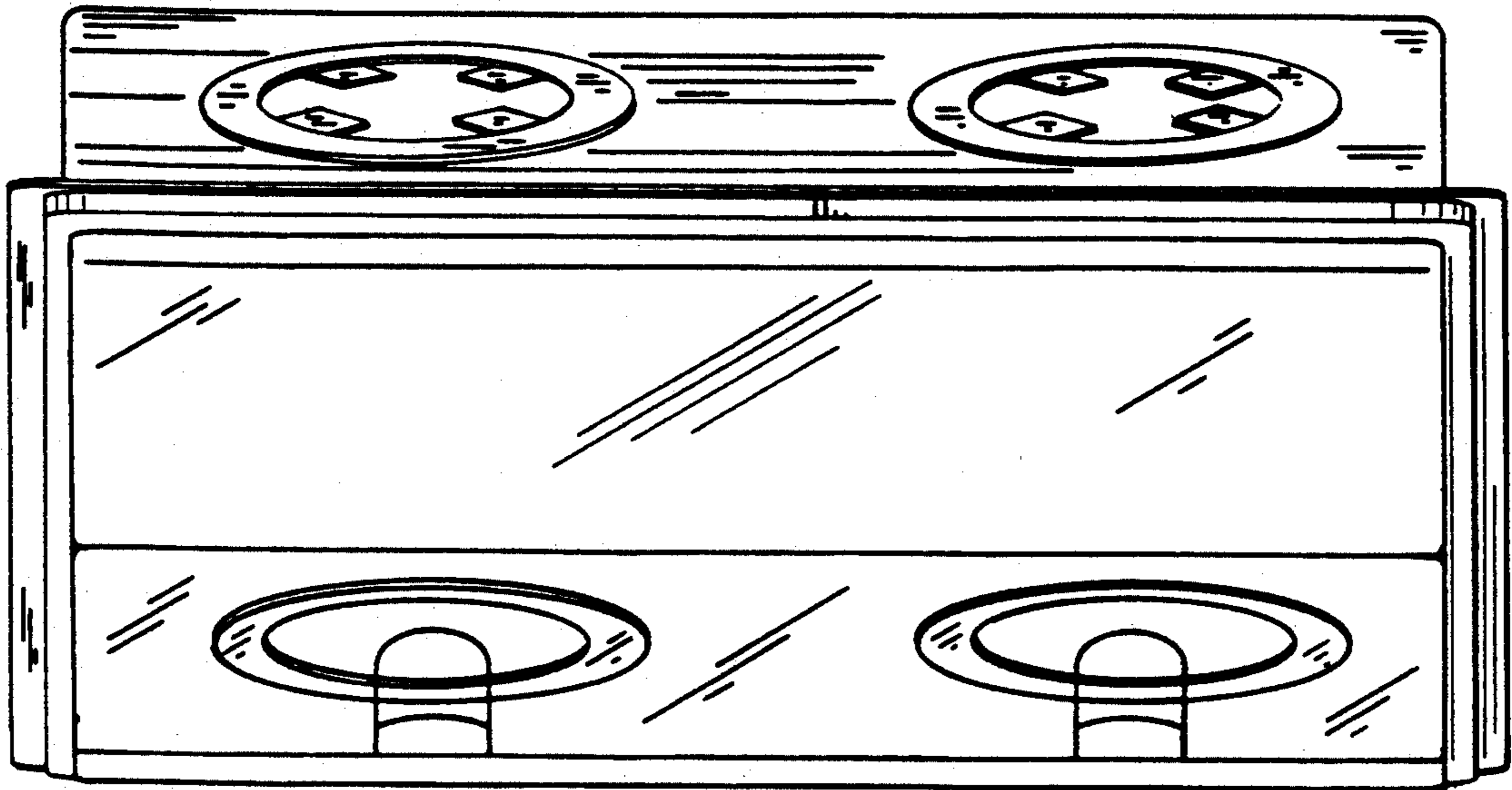


FIG. 6

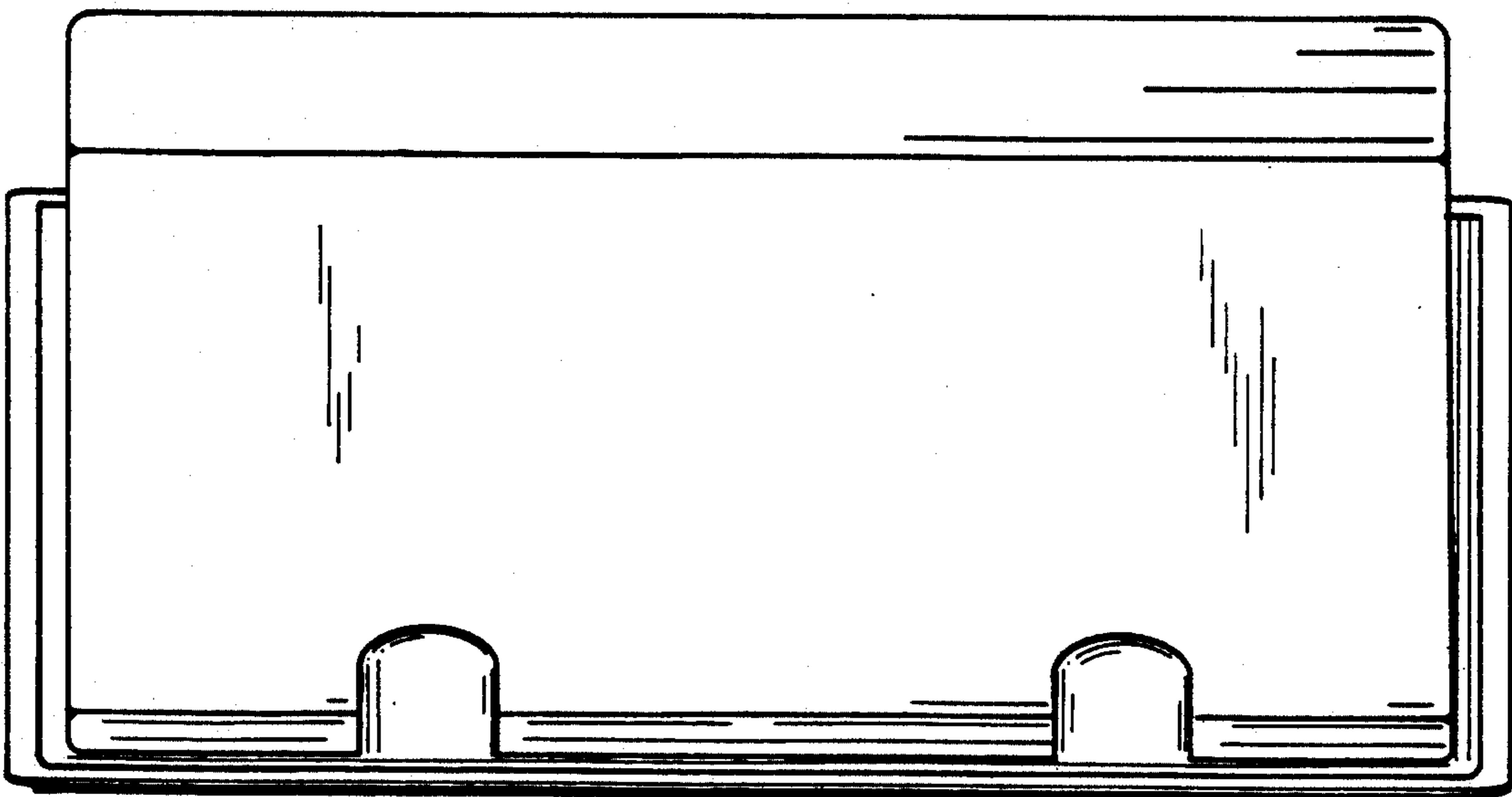


FIG. 7