



US00D339057S

United States Patent [19]

[11] Patent Number: **Des. 339,057**

Lofland

[45] Date of Patent: **** Sep. 7, 1993**

[54] **SCISSORS LOCK-OUT CLAMP**

5,070,712 12/1991 Fox 70/19 X
5,109,683 5/1992 Cartwright 70/14

[76] Inventor: **James A. Lofland, 852 Marshall St.,
Milford, Del. 19963**

Primary Examiner—Brian N. Vinson
Attorney, Agent, or Firm—Richard C. Litman

[**] Term: **14 Years**

[57] **CLAIM**

[21] Appl. No.: **805,903**

The ornamental design for a scissors lockout clamp, as shown and described.

[22] Filed: **Dec. 12, 1991**

DESCRIPTION

[52] U.S. Cl. **D8/343**

[58] Field of Search **D8/330-331,
D8/336, 343-345; 70/14, 51, 58, 57, 18**

FIG. 1 is a front, top and left end perspective view of a scissors lockout clamp showing my new design in use, the portion of the figure shown in broken lines representing a valve, lock cable and padlock and forming no part of the claimed design;

[56] **References Cited**

U.S. PATENT DOCUMENTS

D. 303,349	9/1989	Weinerman et al.	D8/331
351,063	10/1886	McCormick .	
2,190,661	2/1940	Hauer .	
3,841,118	10/1974	Stone	70/33
3,889,497	6/1975	Tuttle	70/14
3,987,653	10/1976	Lyon et al.	70/19
4,068,504	1/1978	Pickard	70/18
4,079,872	3/1978	Halter	224/31
4,680,948	7/1987	Stewart	70/14
4,845,967	7/1989	Evans et al.	70/233

FIG. 2 is a front, top and right end perspective view thereof showing the design in an open position;

FIG. 3 is a front elevational view thereof, the rear elevational view being a mirror image;

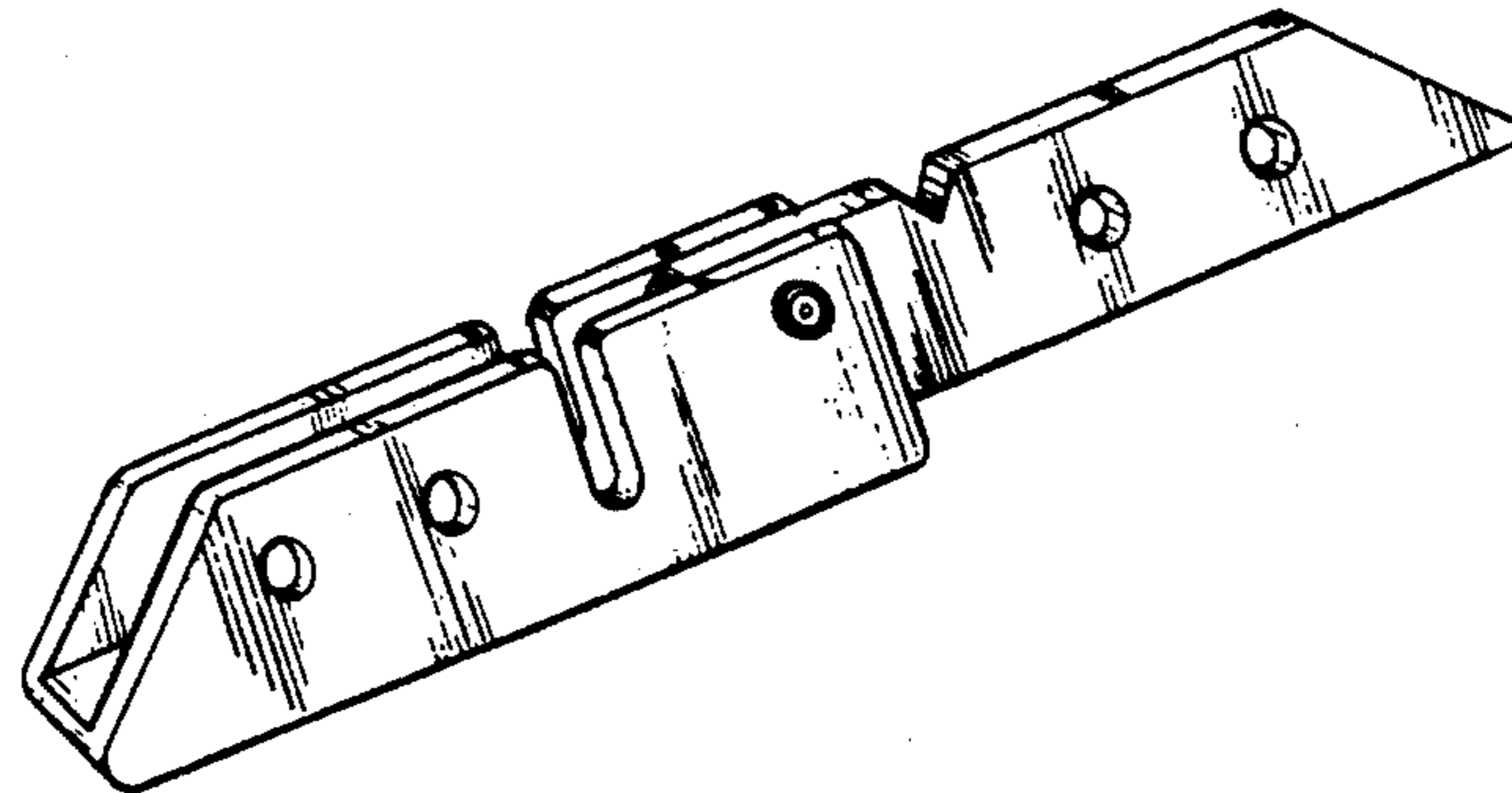
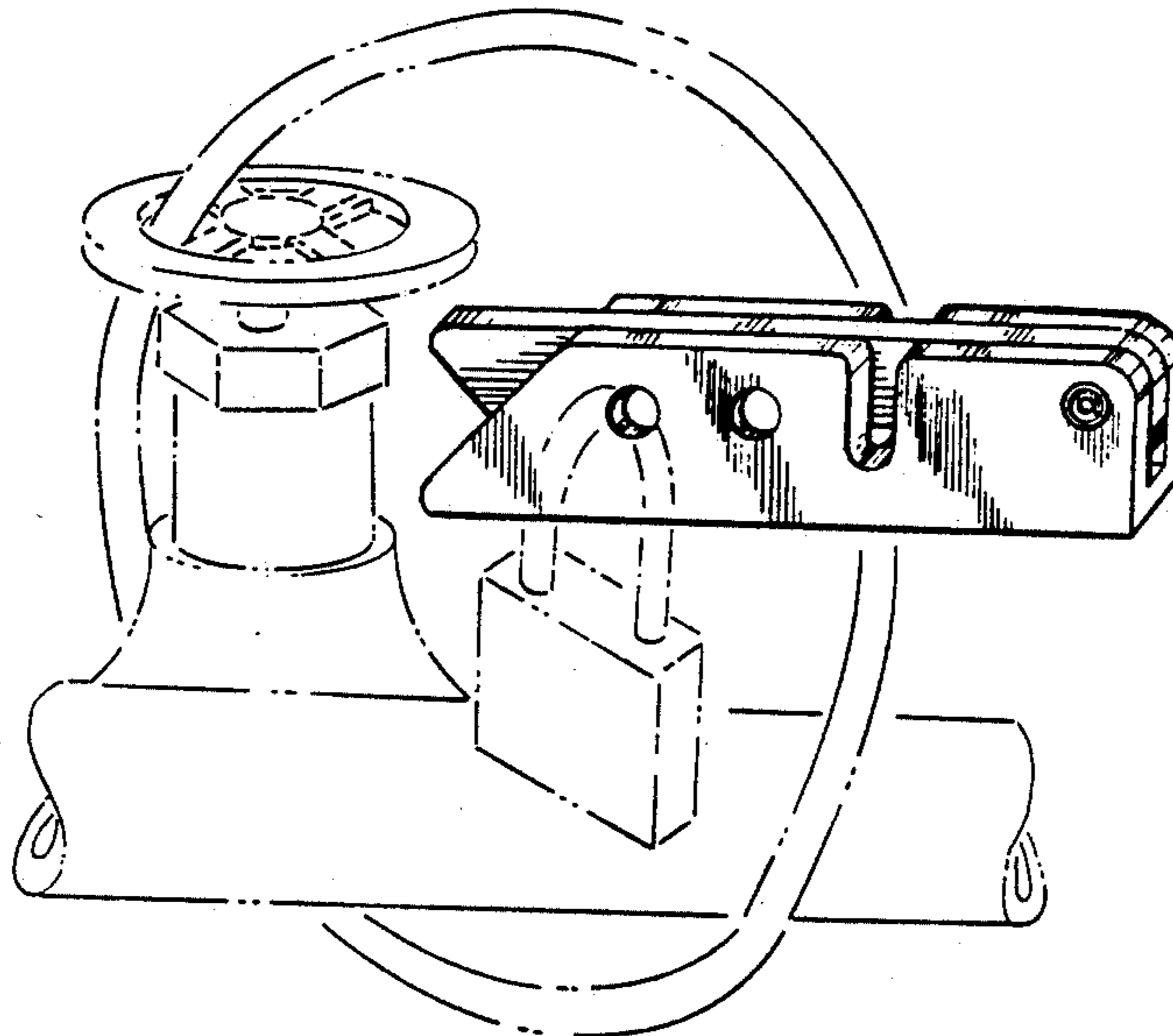
FIG. 4 is a left end elevational view thereof;

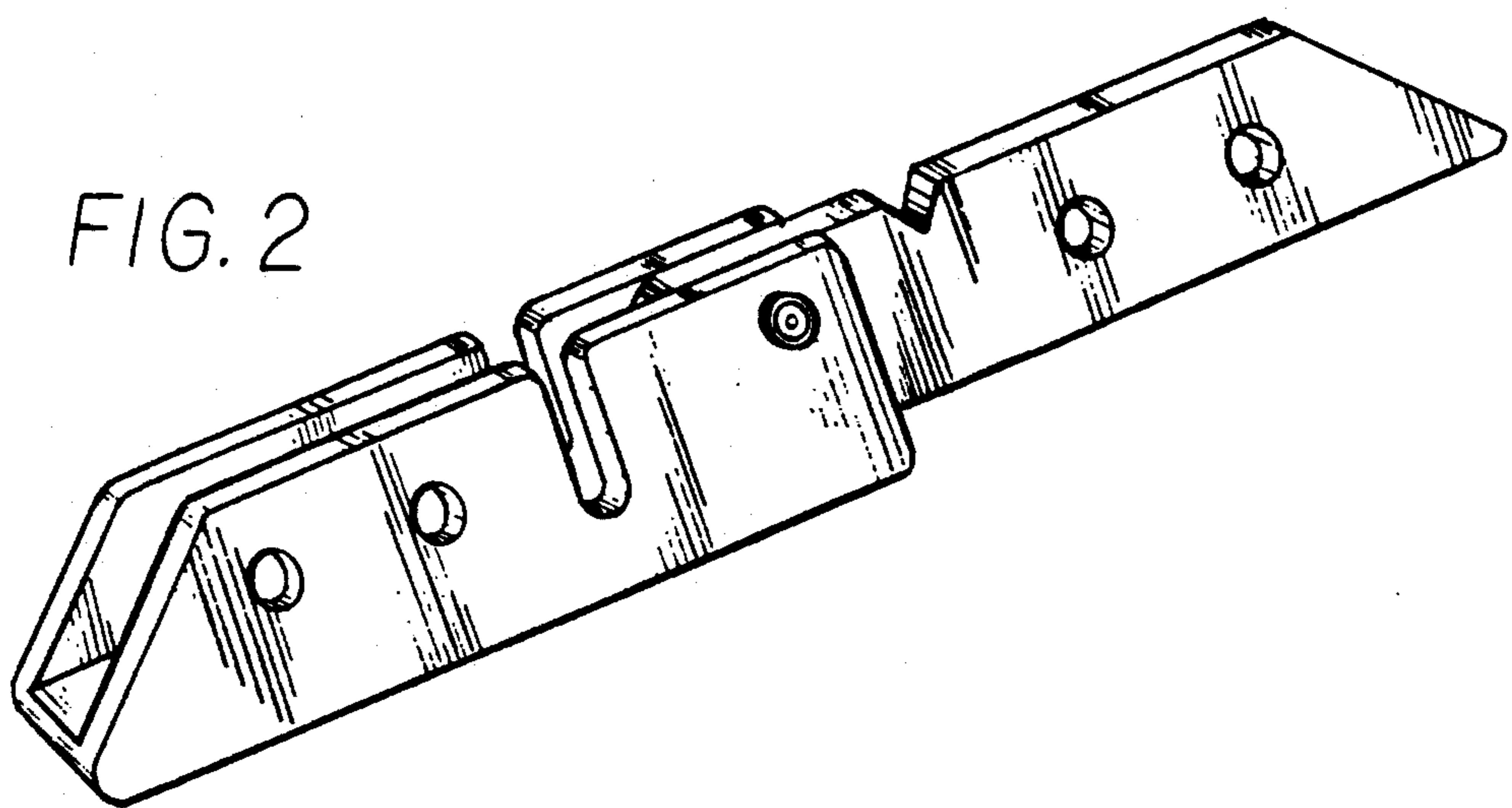
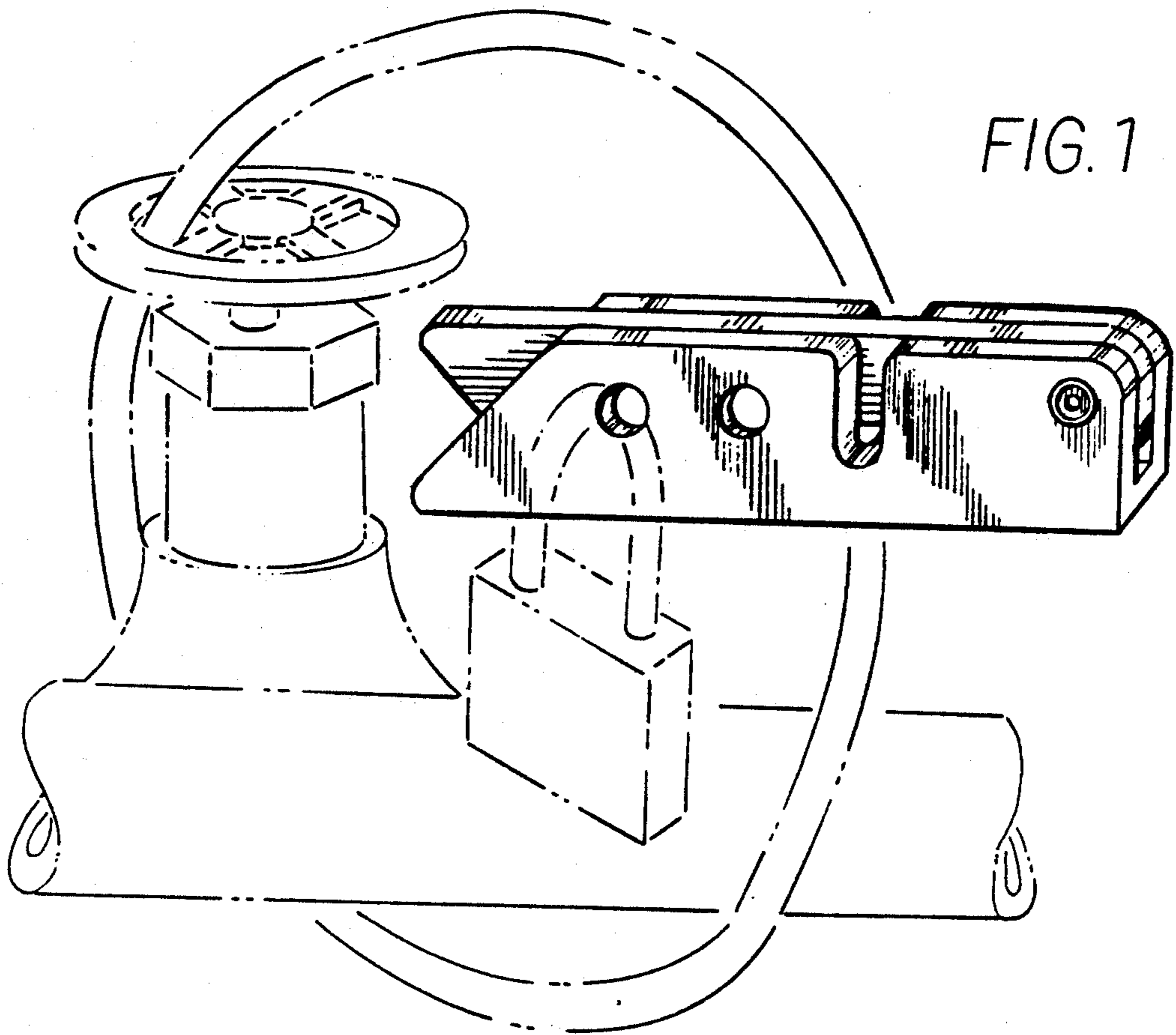
FIG. 5 is a right end elevational view thereof;

FIG. 6 is a top plan view thereof; and,

FIG. 7 is a bottom plan view thereof.

FIGS. 1 and 3 through 7 show the design in a closed position.





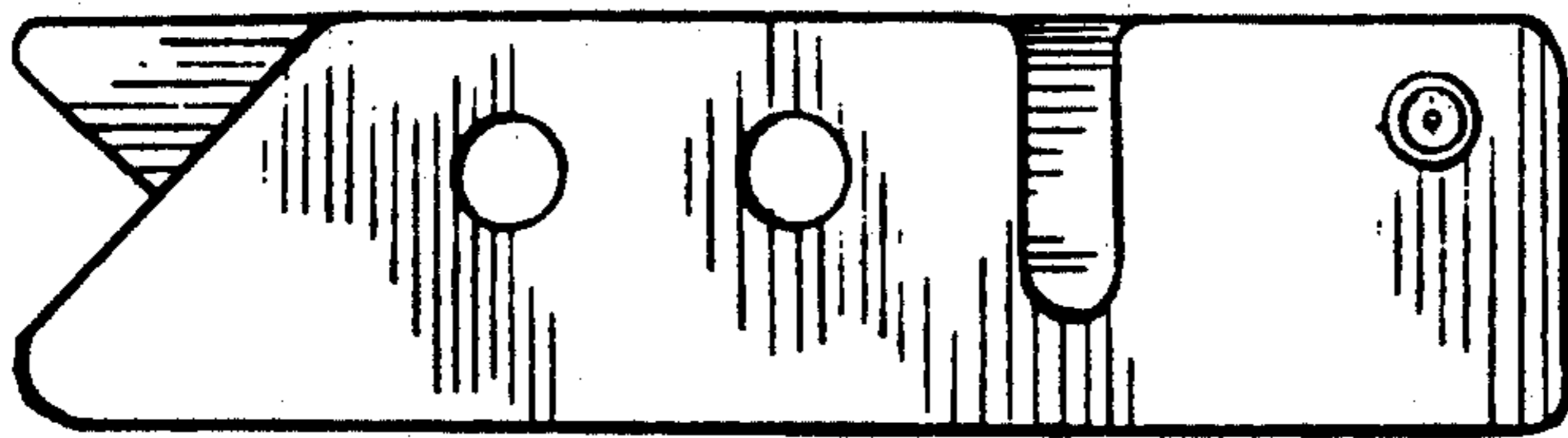


FIG. 3



FIG. 4



FIG. 5

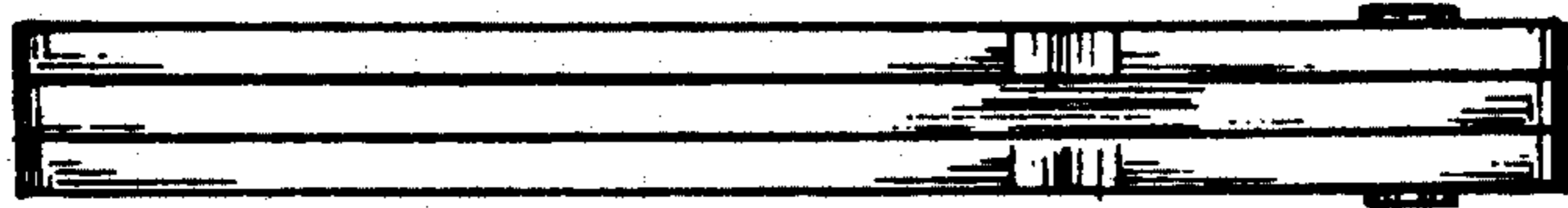


FIG. 6

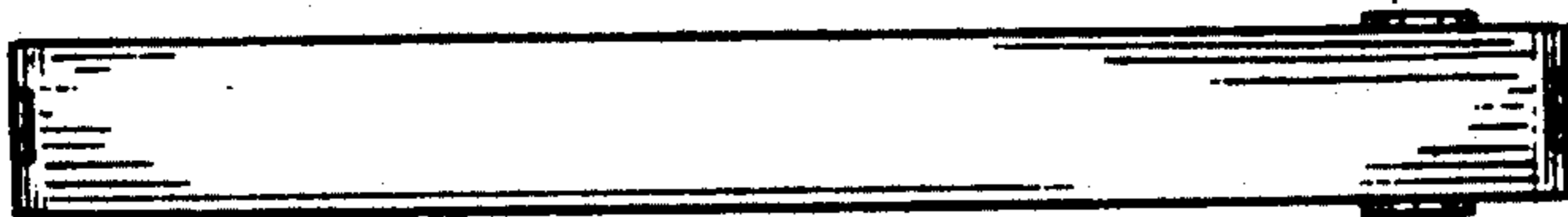


FIG. 7