



US00D339055S

# United States Patent [19] Ling

[11] Patent Number: **Des. 339,055**

[45] Date of Patent: **\*\* Sep. 7, 1993**

[54] COMBINATION PADLOCK

4,107,965 8/1978 Miller et al. .... 70/52

[76] Inventor: **Chong-Kuan Ling, c/o Sinox Co., Ltd., P.O. Box 96-156, Taipei, Taiwan**

### OTHER PUBLICATIONS

Brookstone Catalogue (Jan. 1986) p. 13 "Ultimate Padlock".

[\*\*] Term: **14 Years**

*Primary Examiner*—Brian N. Vinson

[21] Appl. No.: **898,734**

### [57] CLAIM

The ornamental design for a combination padlock, as shown and described.

[22] Filed: **Jun. 15, 1992**

[52] U.S. Cl. .... **D8/334**

[58] Field of Search ..... **D8/333-334; 70/20-22, 24, 27-29, 35, 41-44, 52**

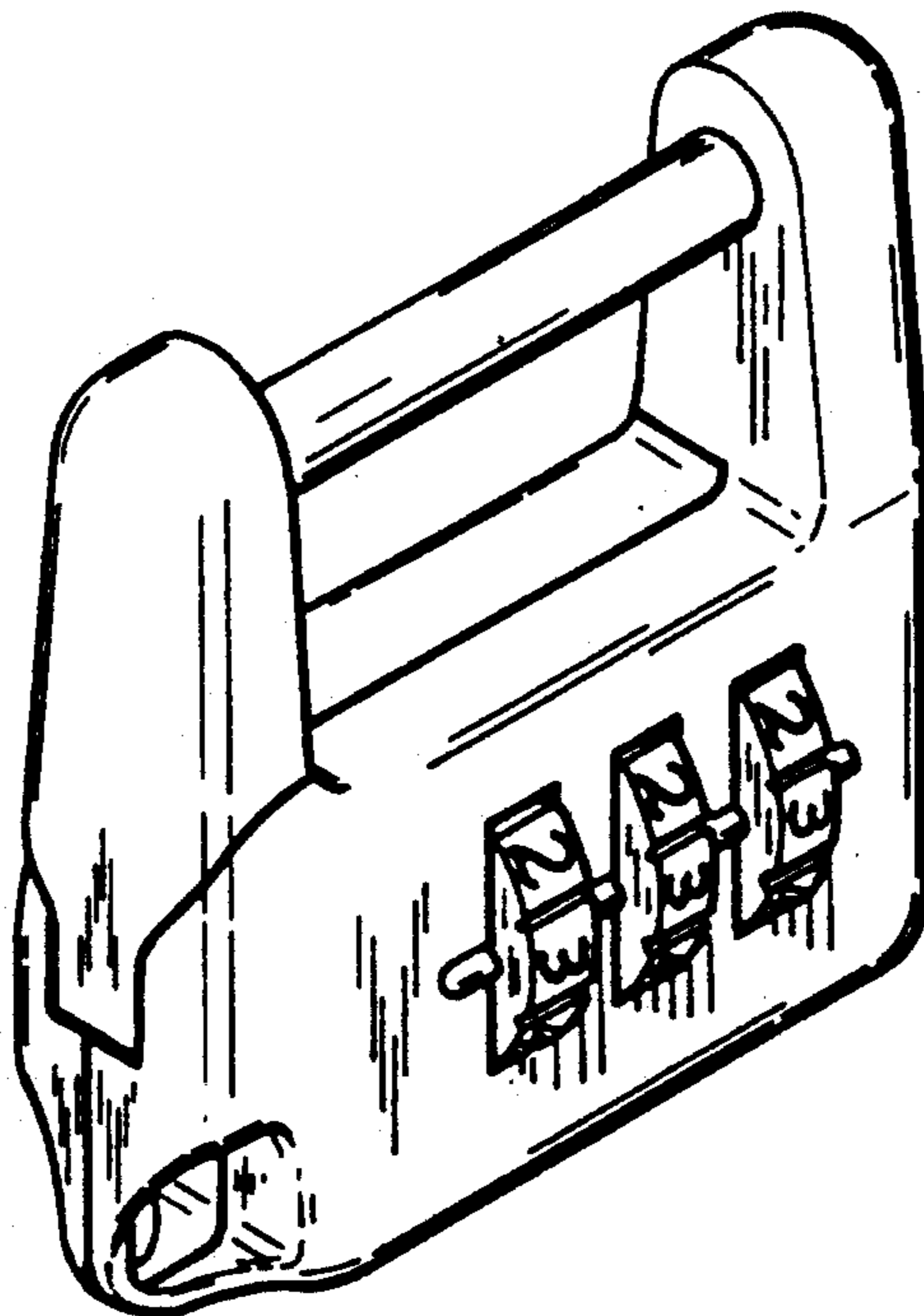
### DESCRIPTION

FIG. 1 is a front elevational view of a combination padlock, showing my new design;  
FIG. 2 is a rear elevational view;  
FIG. 3 is a left side elevational view;  
FIG. 4 is a right side elevational view;  
FIG. 5 is a top plan view;  
FIG. 6 is a bottom plan view; and,  
FIG. 7 is a perspective view of my new design.

### [56] References Cited

#### U.S. PATENT DOCUMENTS

D. 137,274	2/1944	Muller-Munk	.....	D8/334
D. 315,090	3/1991	Pederson	.....	D8/334
877,682	1/1908	Turman	.....	70/28
1,712,476	5/1929	Coiro	.....	70/28



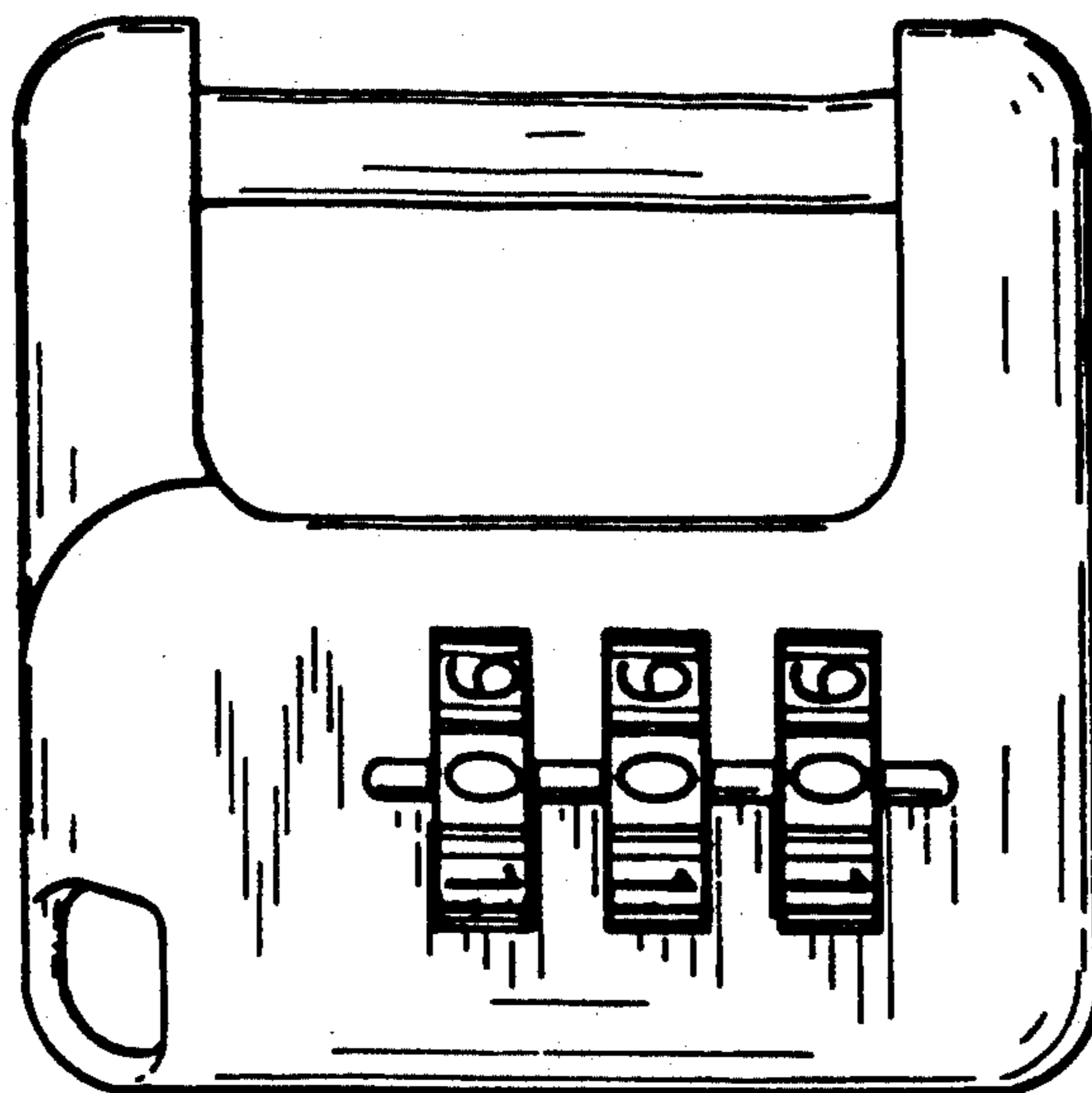


FIG. 1

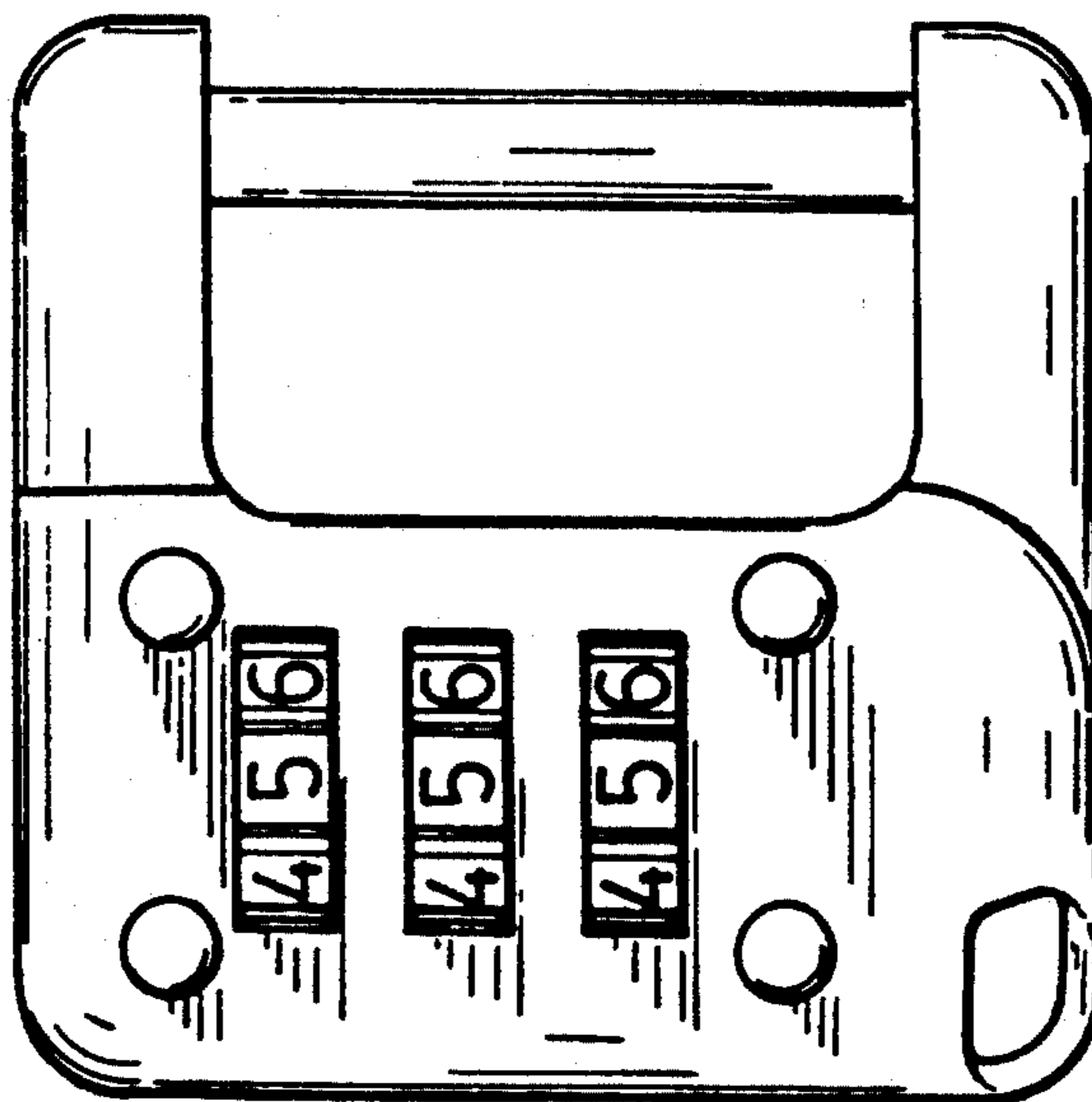


FIG. 2

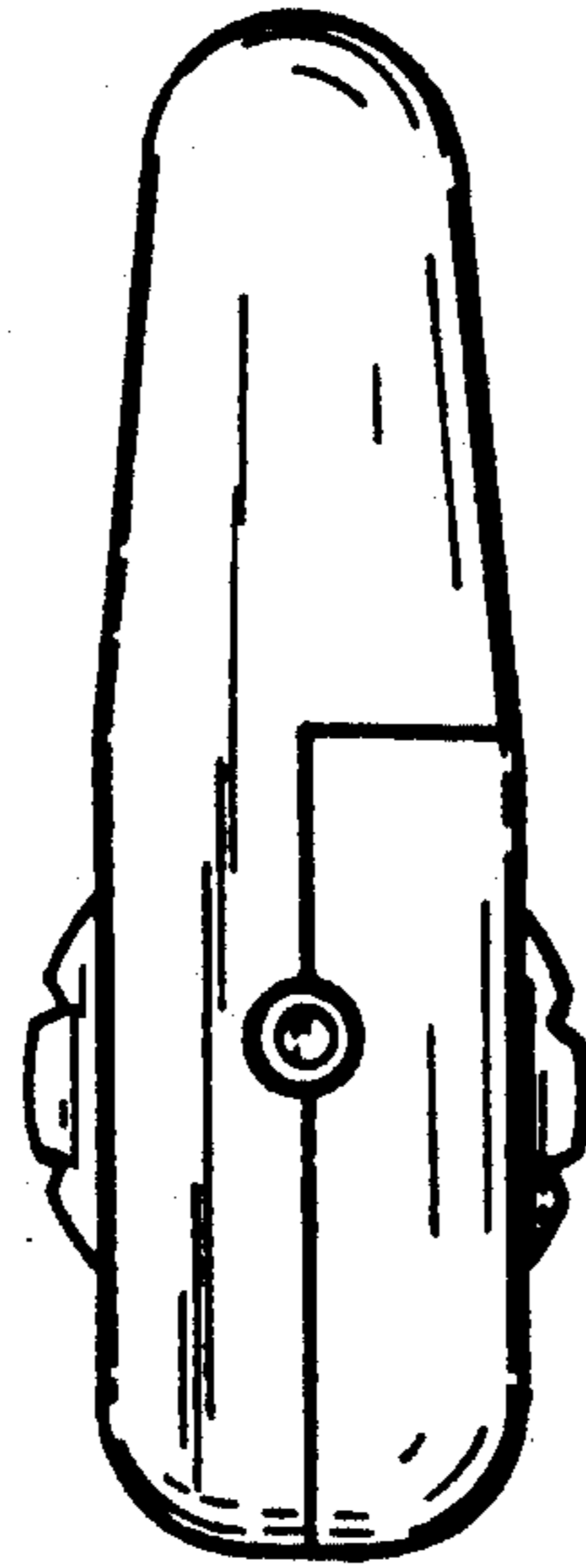


FIG. 4

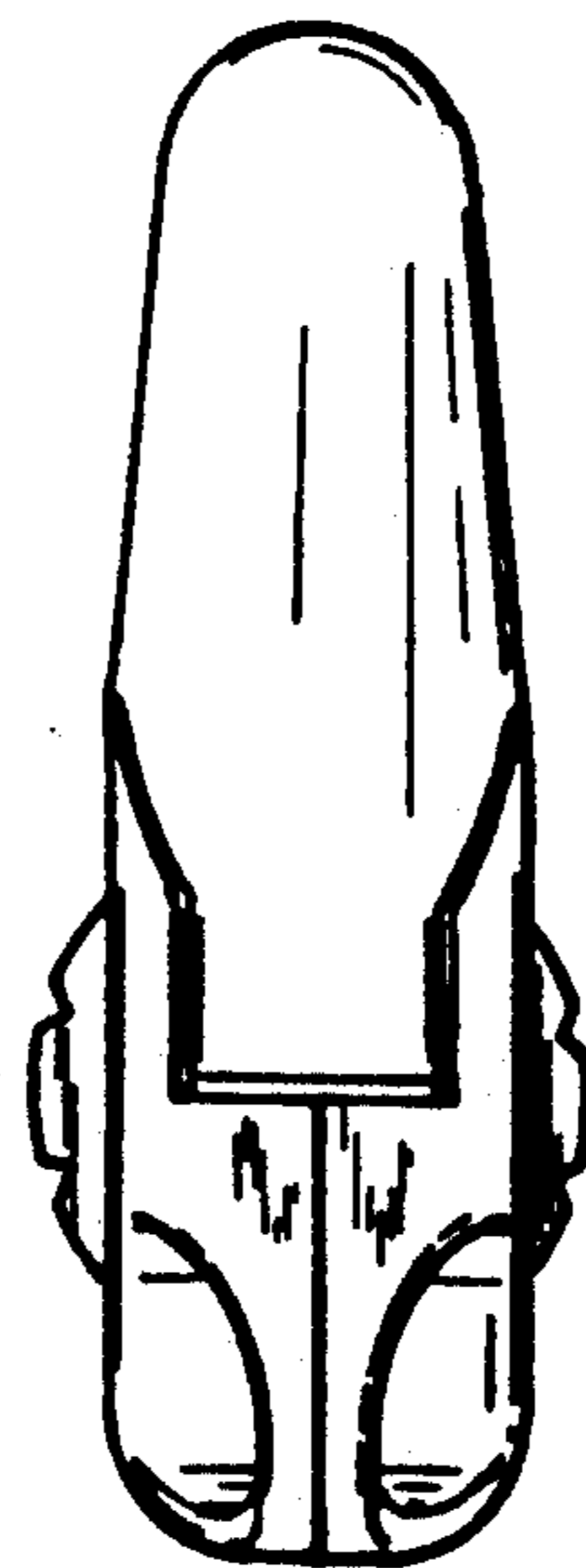


FIG. 3

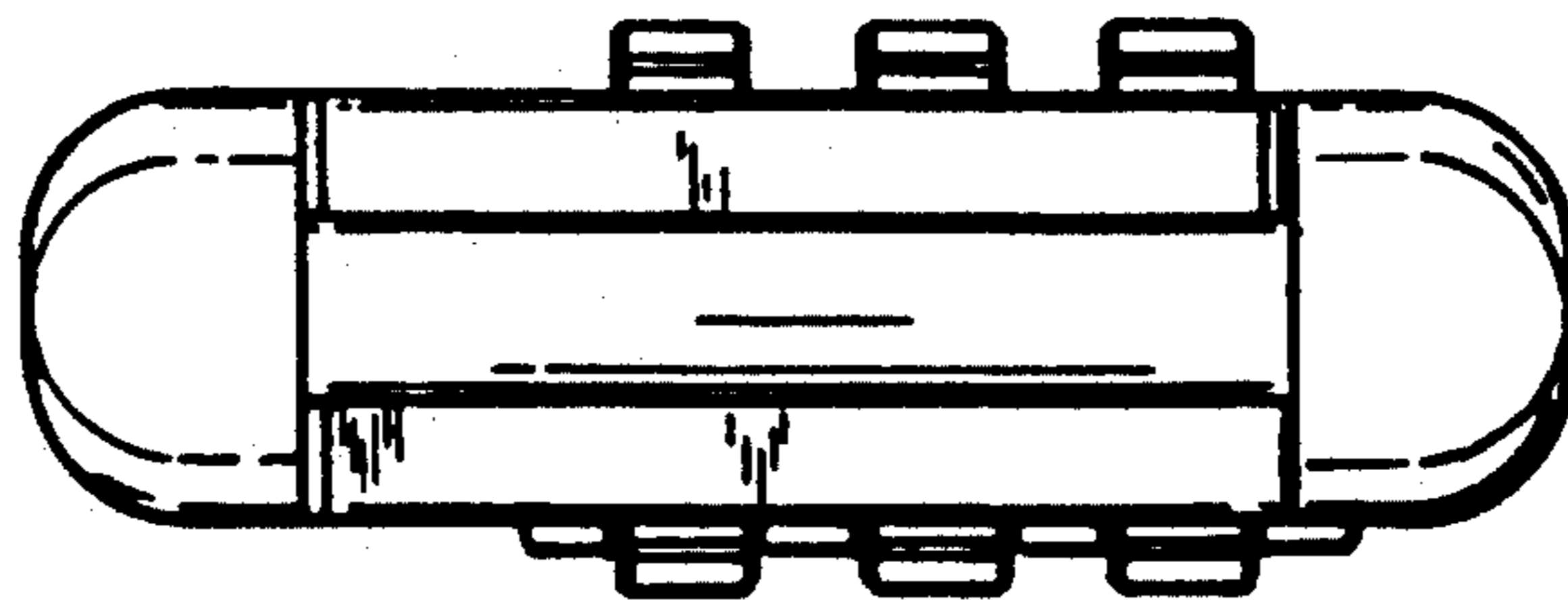


FIG. 5

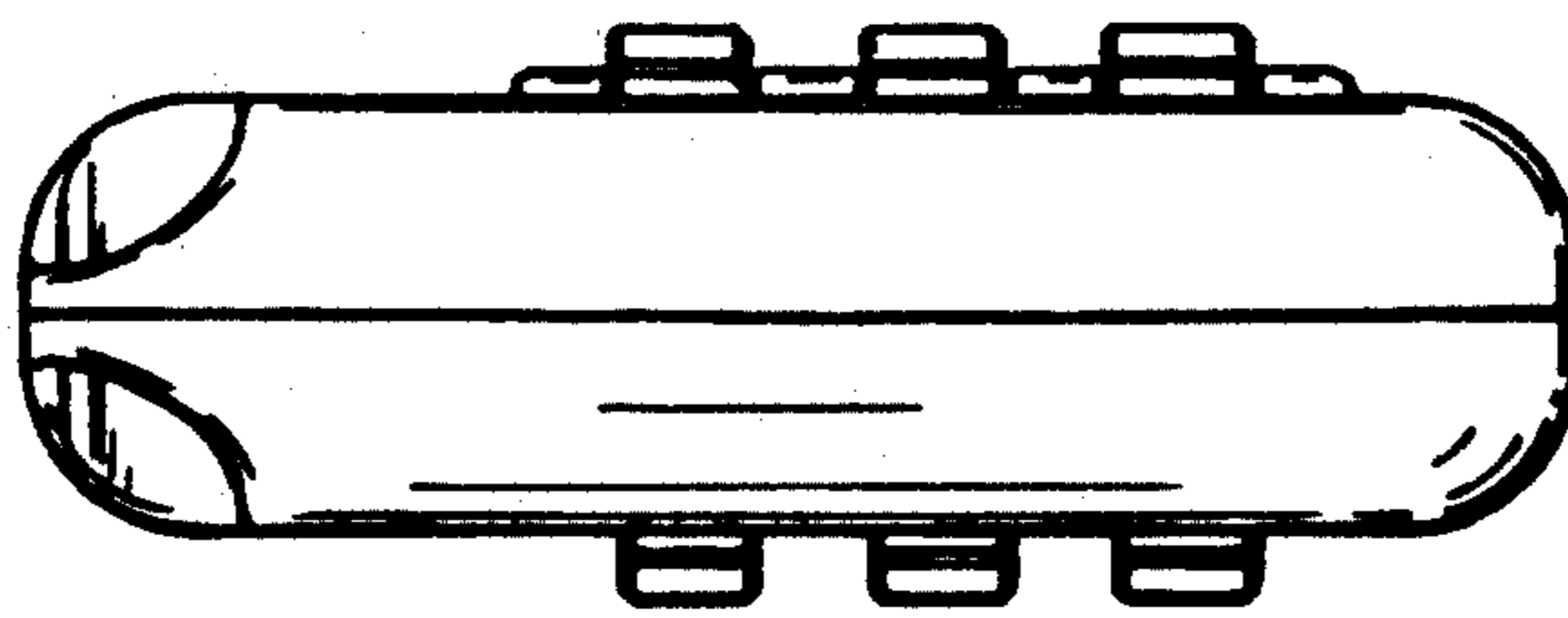


FIG. 6

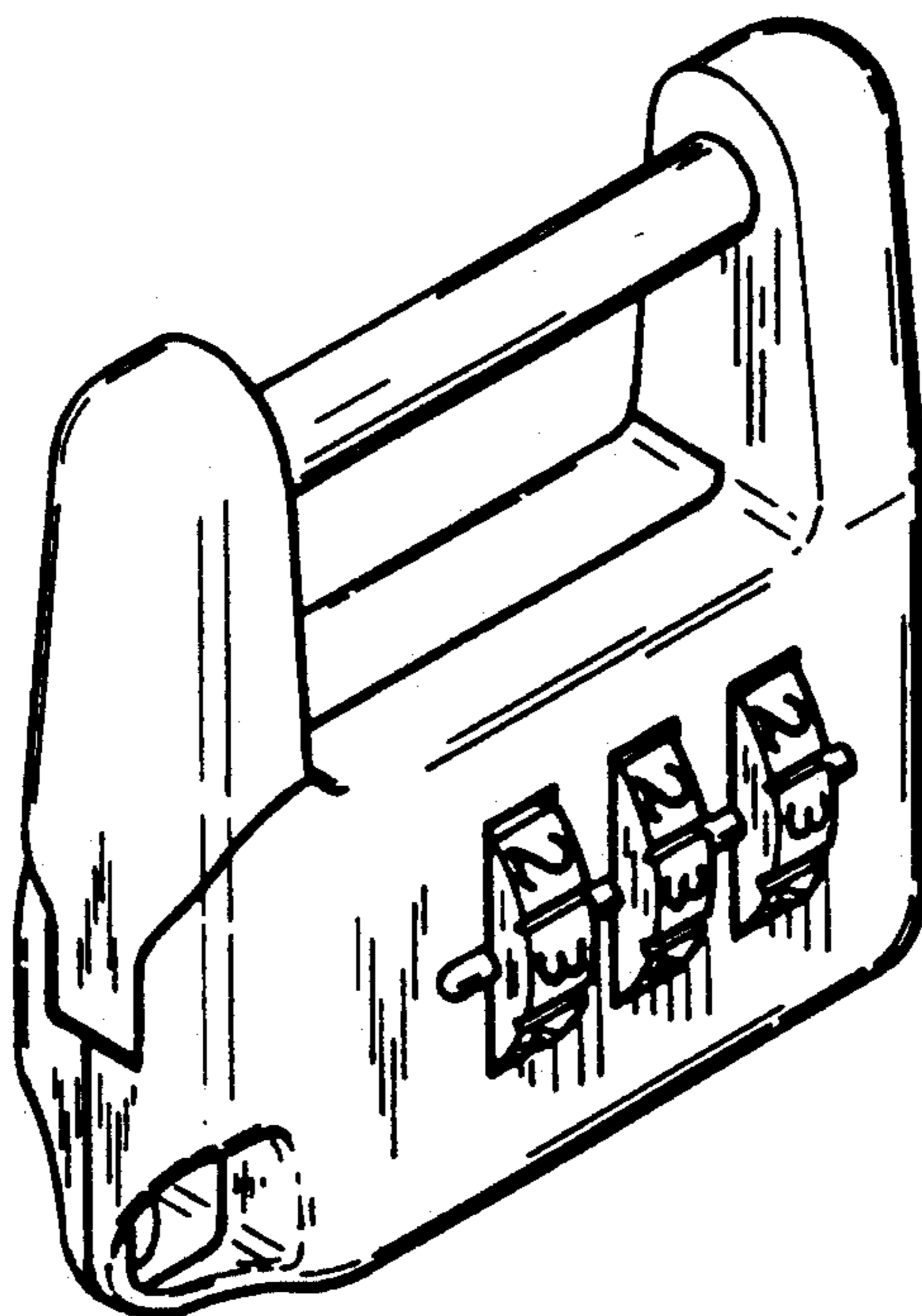


FIG. 7