



US00D339054S

United States Patent [19]

[11] Patent Number: **Des. 339,054**

Saito

[45] Date of Patent: **** Sep. 7, 1993**

[54] **WIRE LOCK**

4,068,504 1/1978 Pickard 70/14
4,069,919 1/1978 Fernbaugh 70/62 X

[75] Inventor: **Takao Saito, Nagoya, Japan**

Primary Examiner—Brian N. Vinson
Attorney, Agent, or Firm—Davis, Bujold & Streck

[73] Assignee: **Kabushiki Kaisha Saikosha, Japan**

[**] Term: **14 Years**

[57] **CLAIM**

[21] Appl. No.: **803,375**

The ornamental design for a wire lock, as shown and described.

[22] Filed: **Dec. 5, 1991**

DESCRIPTION

[30] **Foreign Application Priority Data**

FIG. 1 is a top plan view of a wire lock showing my new design;

Jun. 28, 1991 [JP] Japan 3-19646

FIG. 2 is a front elevational view thereof;

[52] U.S. Cl. **D8/333**

FIG. 3 is a bottom plan view thereof;

[58] Field of Search **D8/330-331,**

FIG. 4 is a rear elevational view thereof;

D8/333; 70/14, 18, 20, 22-23, 30, 49, 57-58,
174, 233, 226, 62

FIG. 5 is a right side elevational view thereof;

FIG. 6 is a left side elevational view thereof;

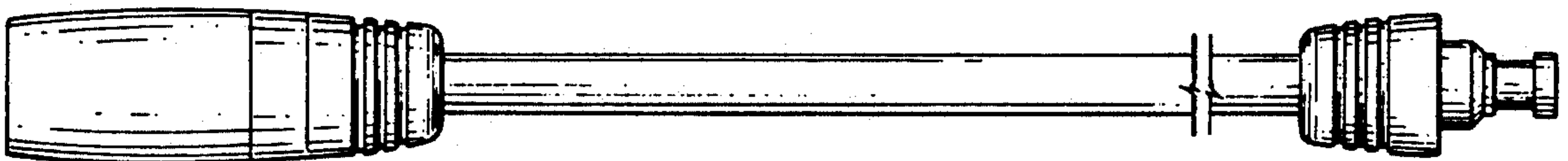
[56] **References Cited**

U.S. PATENT DOCUMENTS

- D. 242,111 11/1976 Proskin D8/333
- D. 242,983 1/1977 Saiton D8/333
- D. 295,721 5/1988 Marshall D8/333

FIG. 7 is an enlarged, fragmentary vertical cross-sectional view thereof, taken along line 7-7 of FIG. 6, with the cable portion shown broken-away for ease of illustration; and,

FIG. 8 is a reduced front elevational view thereof, showing the two ends of the lock connected.



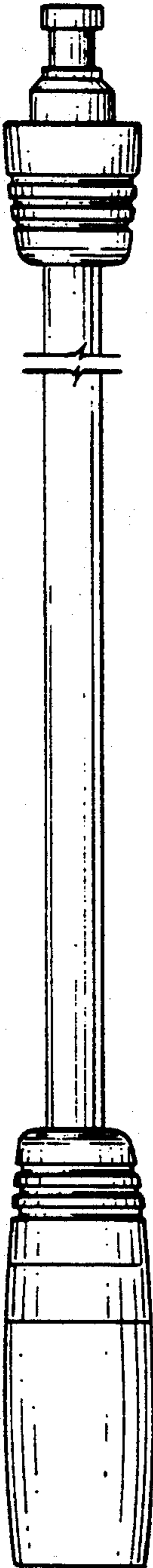


FIG. 1

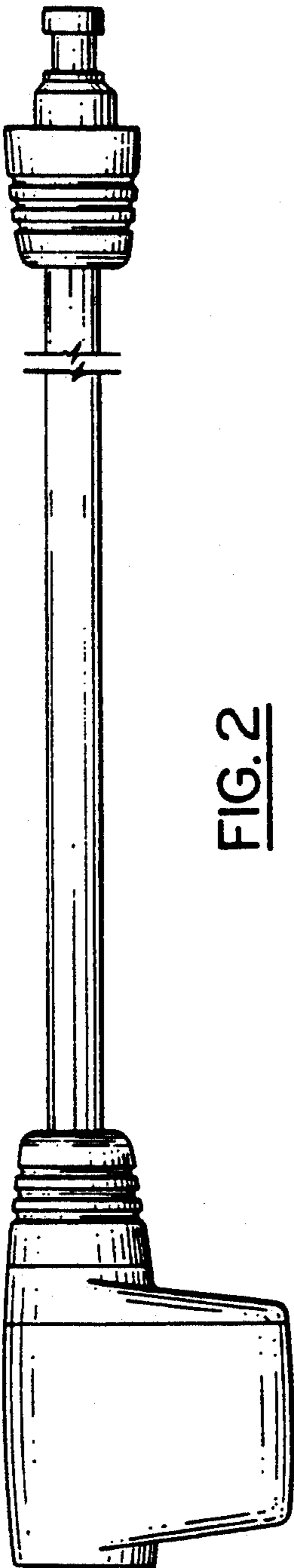


FIG. 2

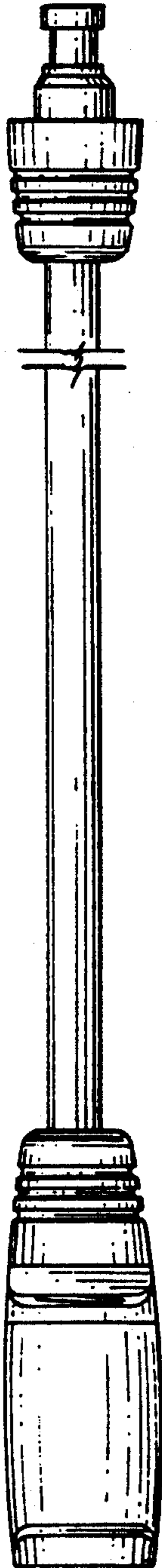


FIG. 3

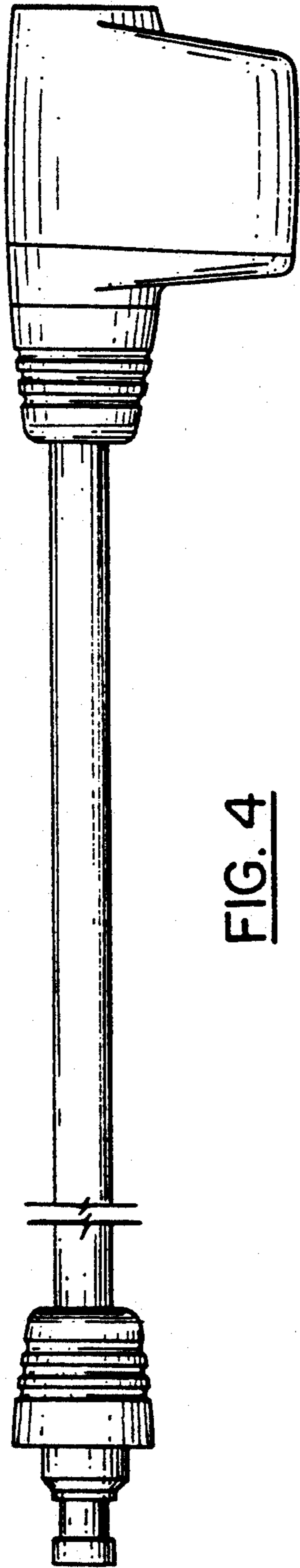


FIG. 4

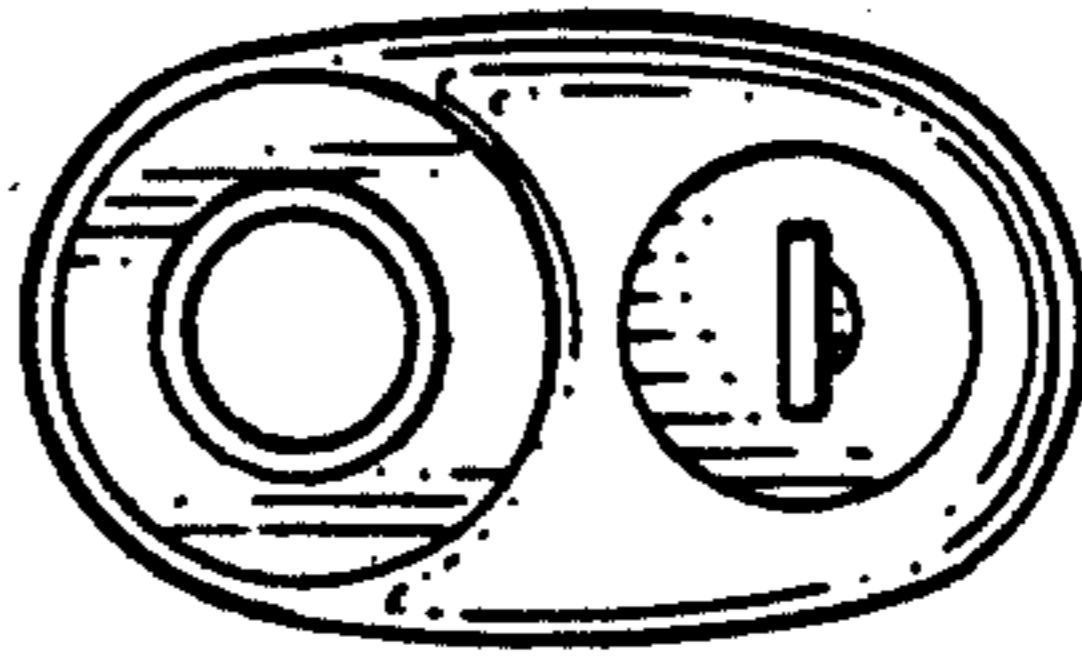


FIG. 6

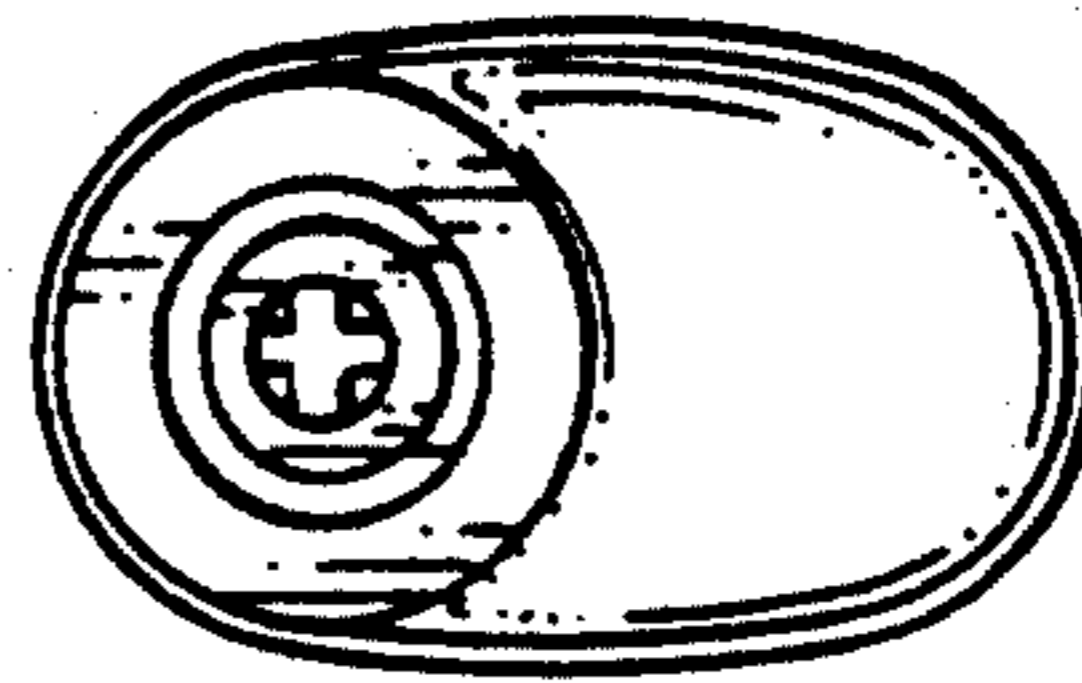


FIG. 5

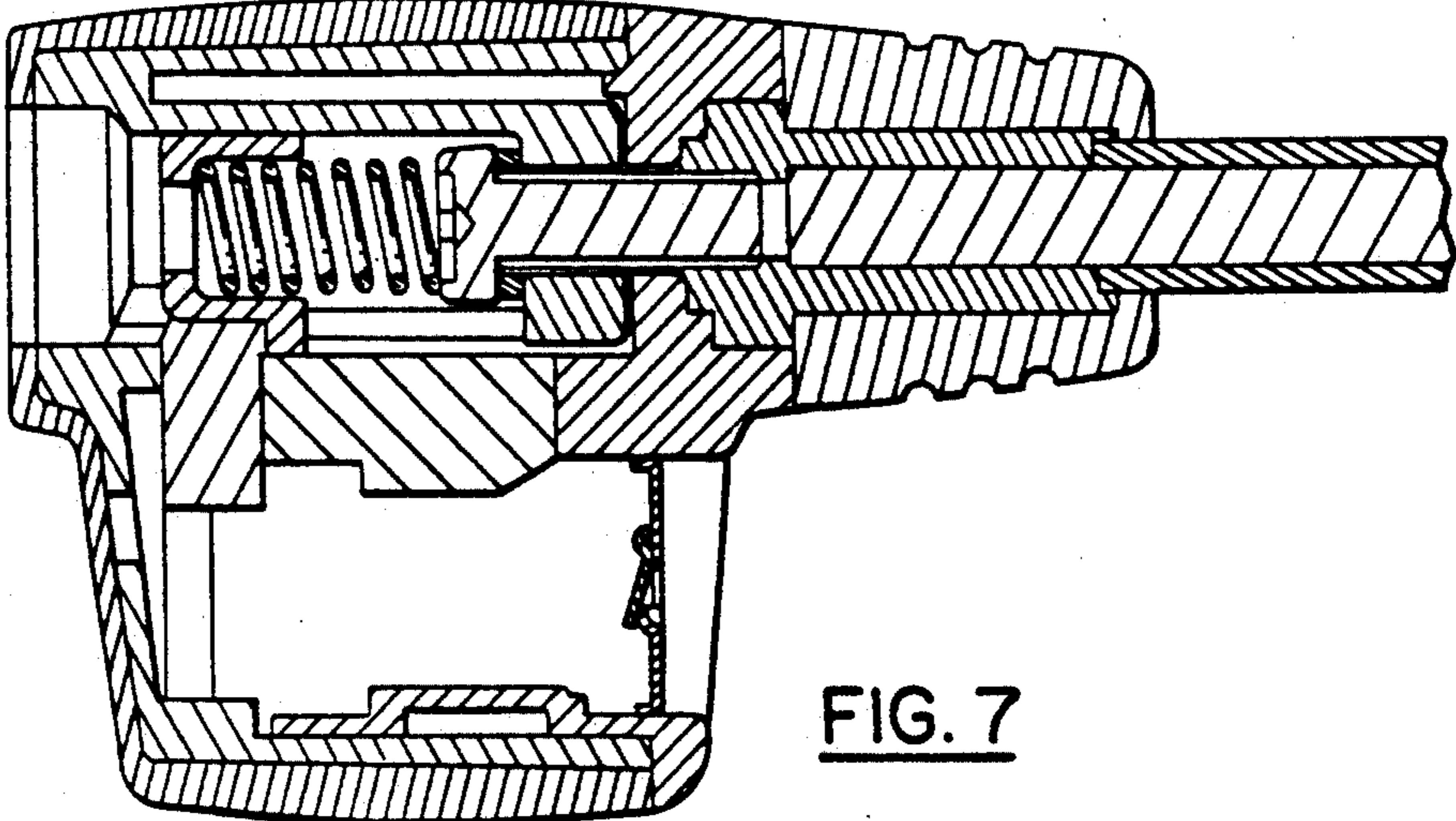


FIG. 7

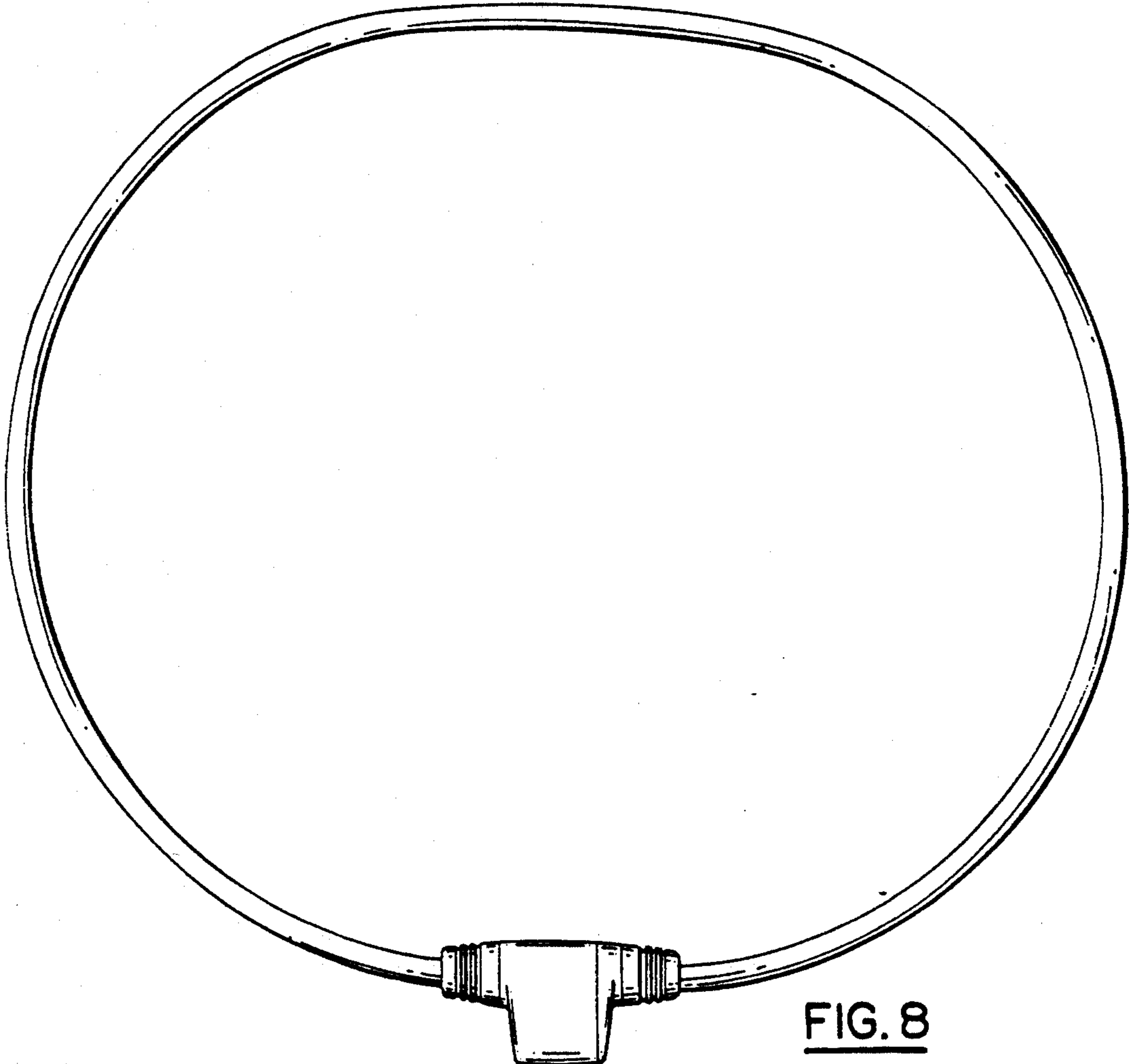


FIG. 8