



US00D339049S

United States Patent [19]

[11] Patent Number: **Des. 339,049**

Gleason et al.

[45] Date of Patent: **** Sep. 7, 1993**

[54] **DOOR LATCH HANDLE**

[56] **References Cited**

[76] Inventors: **Stephen J. Gleason**, 1706 Indiana Ave., Charles City, Iowa 50616;
Marvin L. Larsen, 313 S. Alta, New Hampton, Iowa 50659

U.S. PATENT DOCUMENTS

D. 179,417 12/1956 Greenwood et al. D8/308
D. 200,527 3/1965 Felds D8/302
D. 208,375 8/1967 Gilbert D8/308
D. 313,926 1/1991 Kautt D8/308

[**] Term: **14 Years**

Primary Examiner—B. J. Bullock
Attorney, Agent, or Firm—Wood, Phillips, VanSanten,
Hoffman & Ertel

[21] Appl. No.: **694,856**

[57] **CLAIM**

[22] Filed: **May 2, 1991**

The ornamental design for a door latch handle, as shown and described.

Related U.S. Application Data

[63] Continuation-in-part of Ser. No. 655,114, Feb. 14, 1991, Pat. No. 5,127,686.

[52] U.S. Cl. D8/301; D8/308; D8/311

[58] Field of Search D8/301, 308, 312, 300, D8/302, 338, 311; 292/216, DIG. 31, 336.3, 347; 70/208; 16/110 R

DESCRIPTION

FIG. 1 is a left side and top perspective view of our design for a door latch handle;
FIG. 2 is a front elevational view thereof;
FIG. 3 is a left side elevational view thereof;
FIG. 4 is a right side elevational view thereof;
FIG. 5 is a top view thereof; and,
FIG. 6 is a bottom view thereof.
The rear of the door latch handle is unornamented.

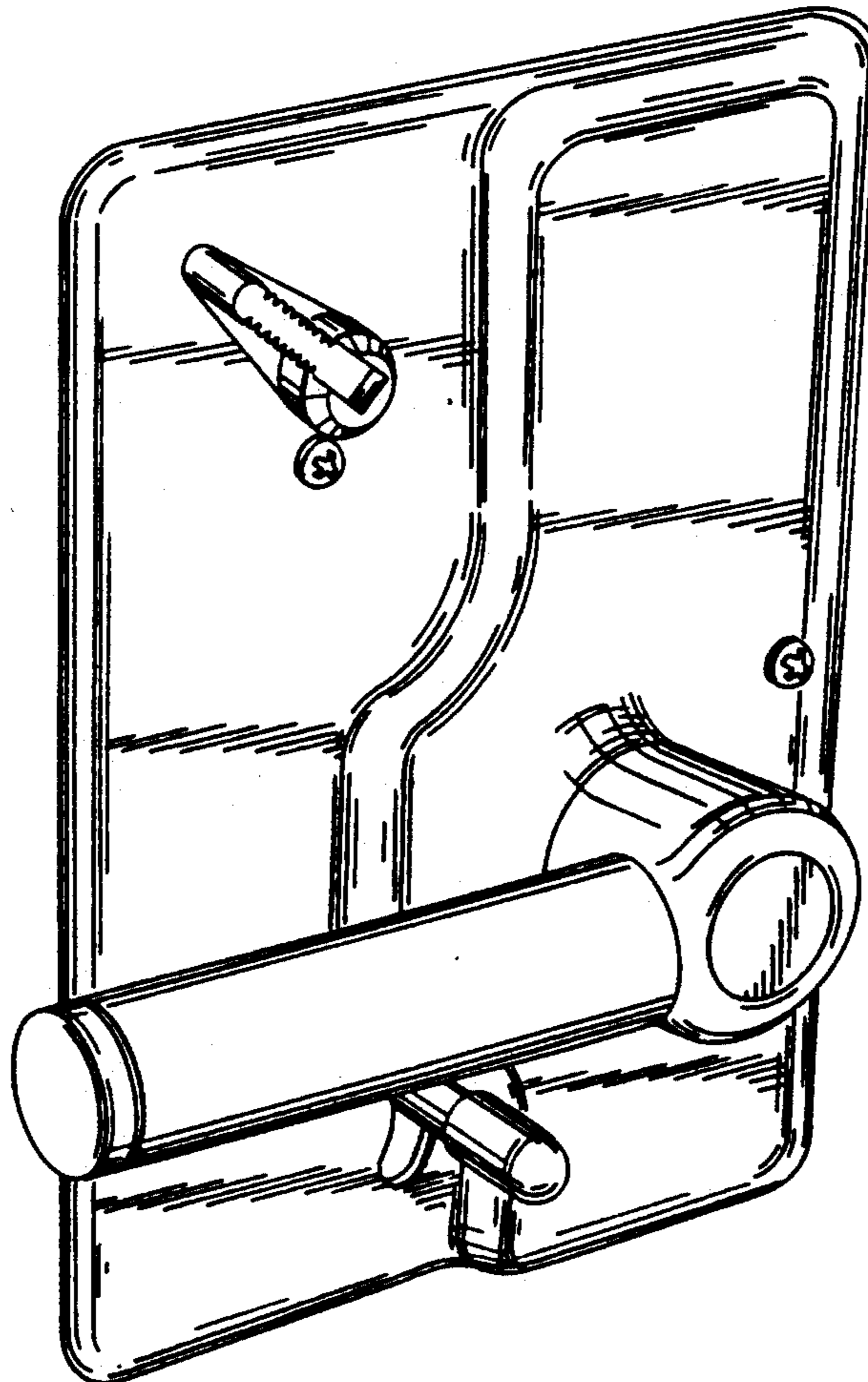


FIG. 2

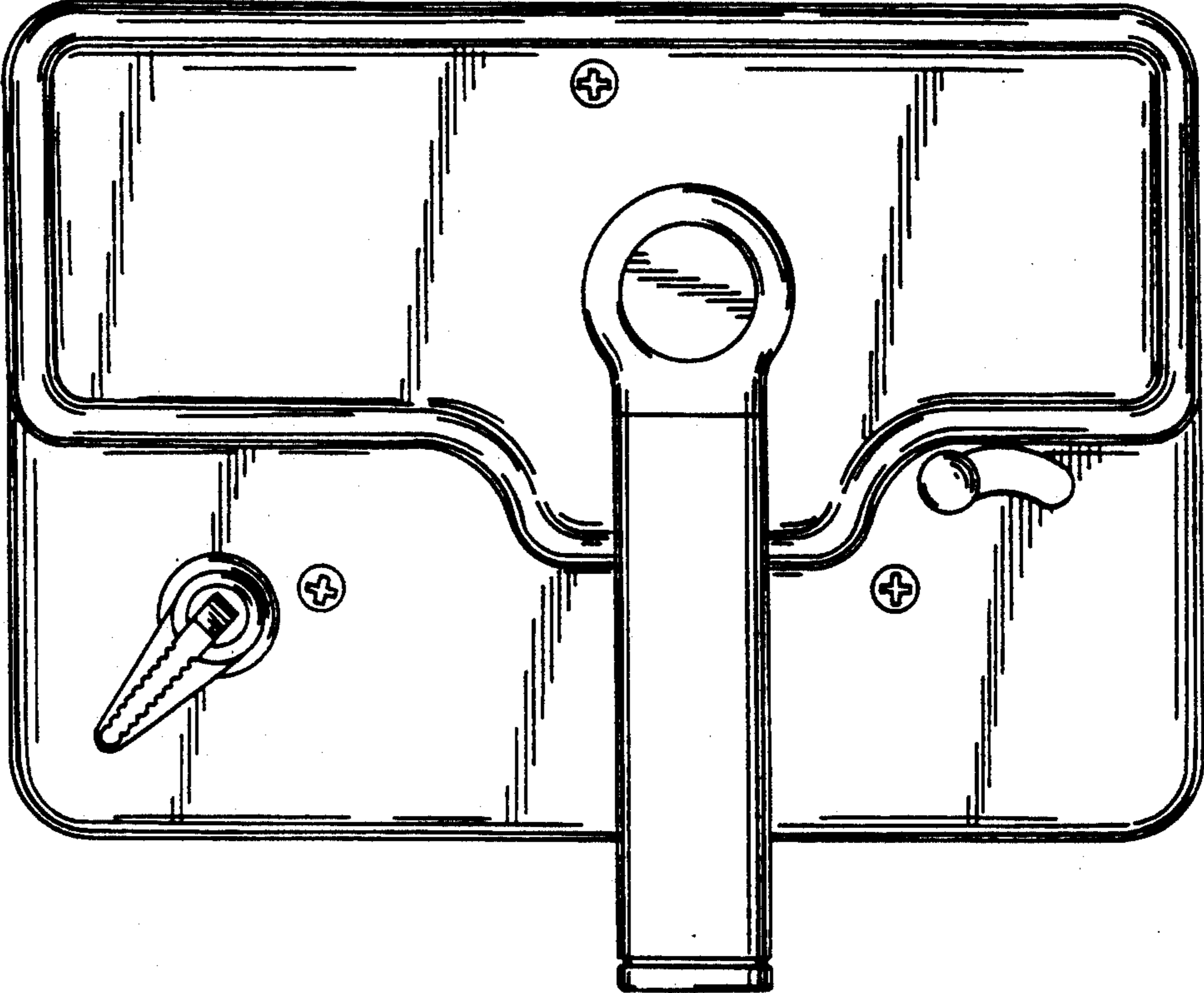


FIG. 1

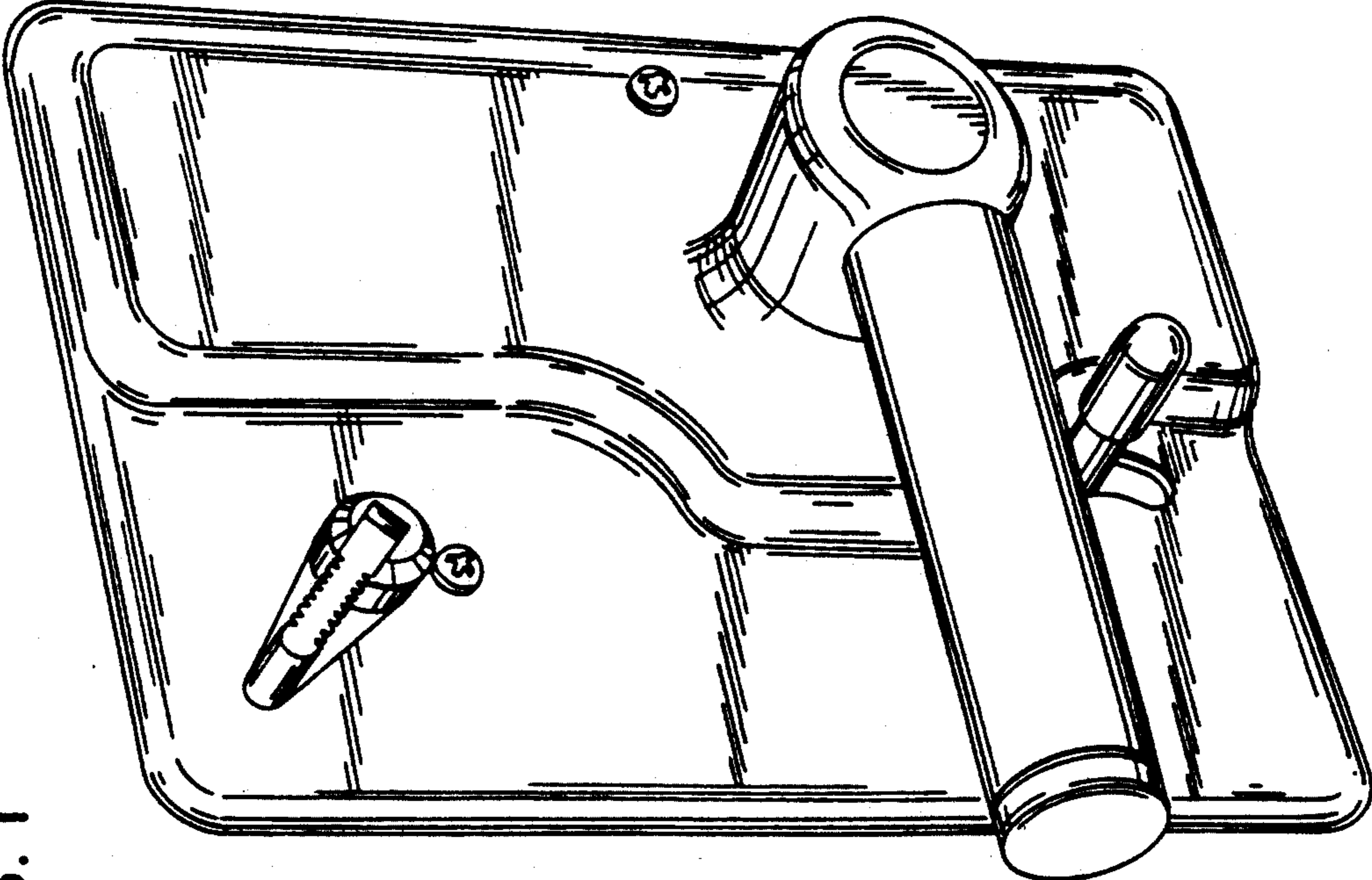


FIG. 3

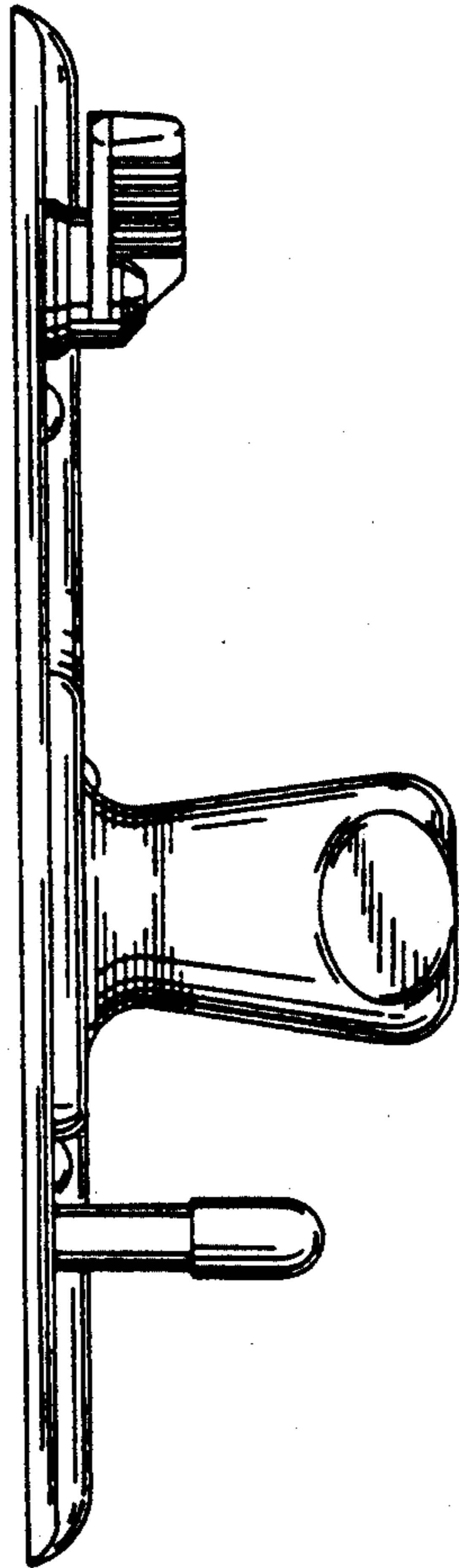


FIG. 4

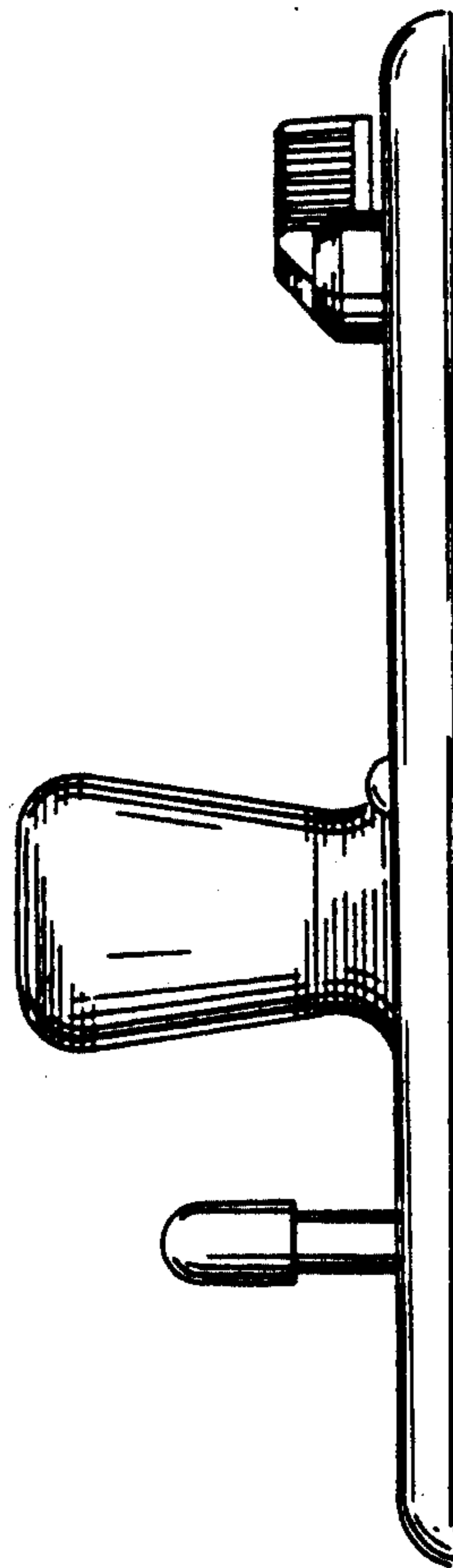


FIG. 5

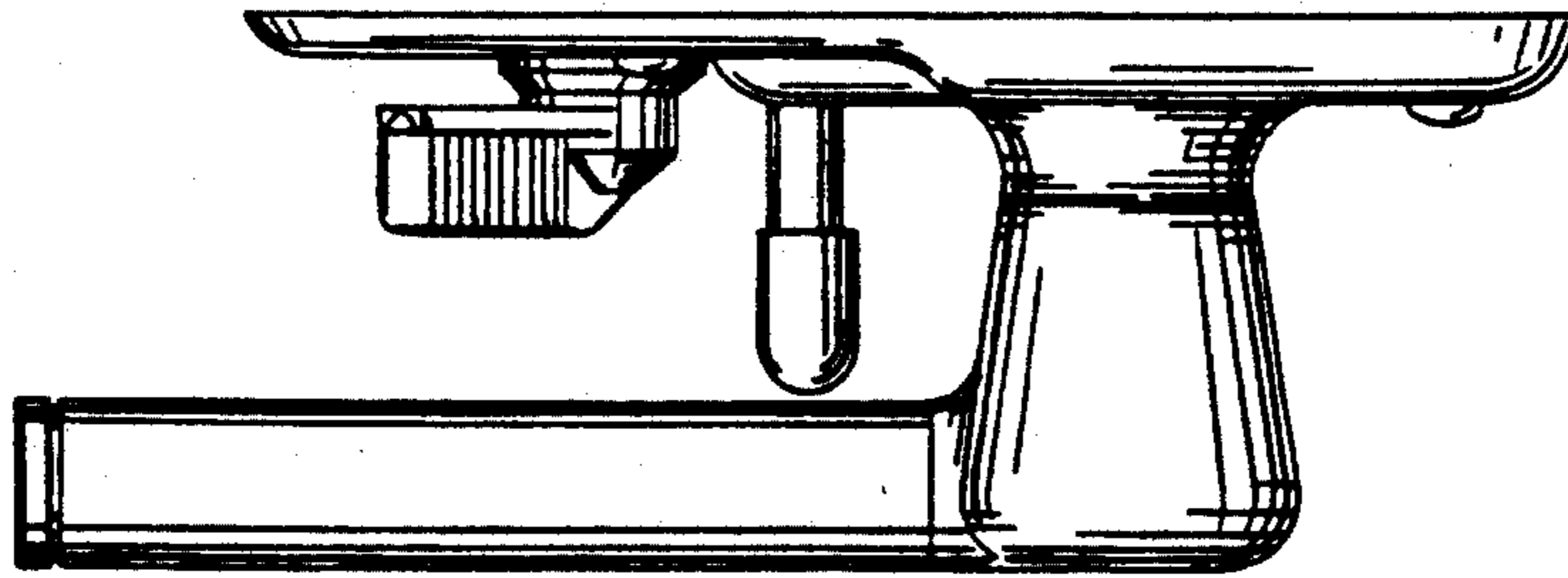


FIG. 6

