



US00D339048S

# United States Patent [19]

[11] Patent Number: **Des. 339,048**

**Baum**

[45] Date of Patent: **\*\* Sep. 7, 1993**

[54] **HANDLE FOR A TOOL**

[75] Inventor: **Rolf Baum, Kirchzarten, Fed. Rep. of Germany**

[73] Assignee: **Willi Hahn GmbH & Co. KG, Schonach, Fed. Rep. of Germany**

[\*\*] Term: **14 Years**

[21] Appl. No.: **845,730**

[22] Filed: **Mar. 4, 1992**

[52] U.S. Cl. .... **D8/107**

[58] Field of Search ..... **D8/14, 21, 83, 107, D8/307, DIG. 2; 81/177.1, 177.8, 15.2, 489; 16/110 R, 116 R**

3,773,094 11/1973 Kuenzel ..... 81/177.8  
 4,922,602 5/1990 Mehl ..... 81/177.1  
 4,926,721 5/1990 Hsiao ..... 81/177.4  
 4,996,896 3/1991 Bachand et al. .... 81/489

*Primary Examiner*—Bernard Ansher  
*Assistant Examiner*—P. Hyder  
*Attorney, Agent, or Firm*—Mason, Fenwick & Lawrence

### [57] CLAIM

The ornamental design for a handle for a tool, as shown and described.

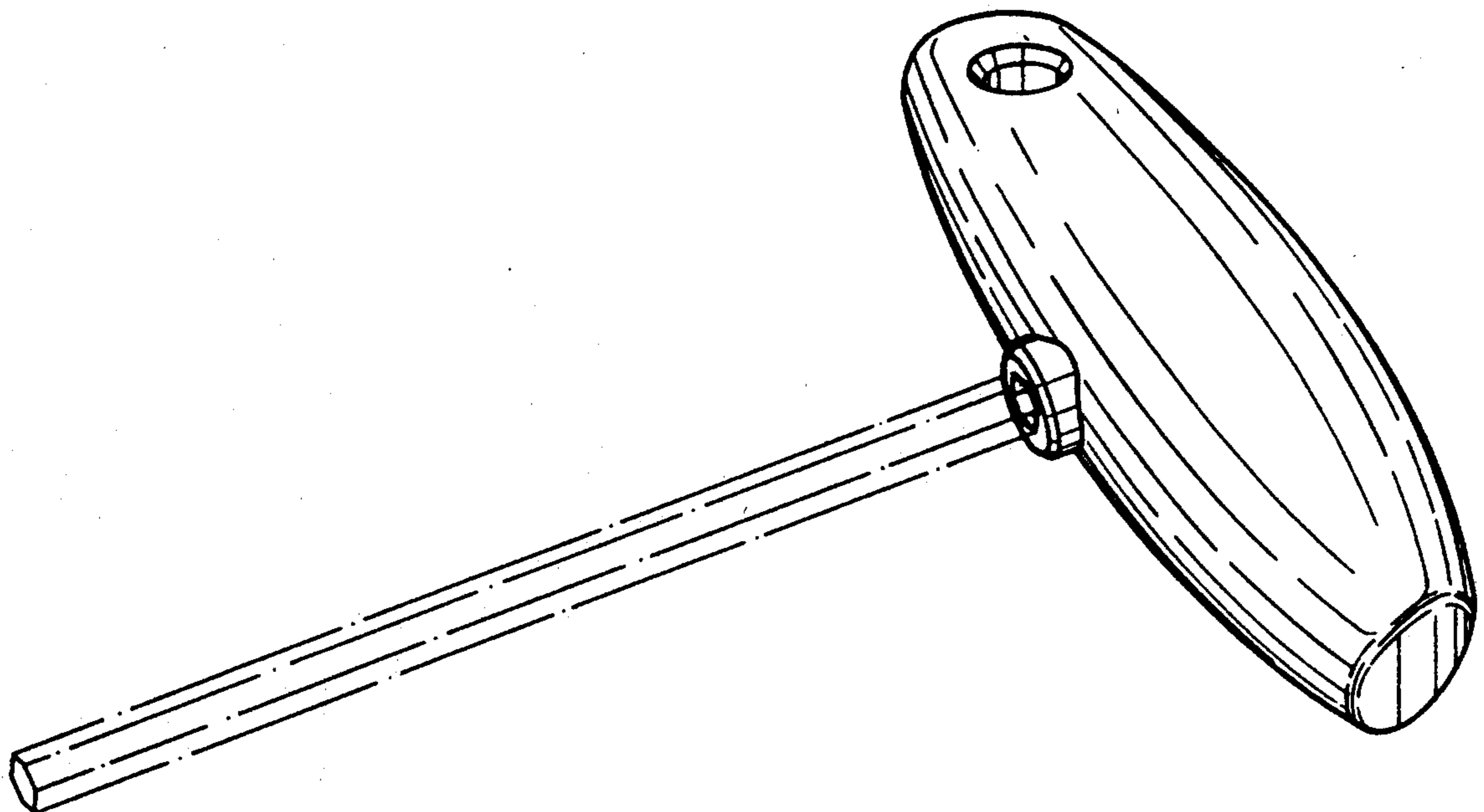
### DESCRIPTION

FIG. 1 is a bottom, front and left side perspective view of a handle for a tool showing my new design;  
 FIG. 2 is a top plan view thereof;  
 FIG. 3 is a front elevational view thereof, the rear view being a mirror image thereof;  
 FIG. 4 is a bottom view thereof;  
 FIG. 5 is a left end view thereof; and,  
 FIG. 6 is a right end view thereof.  
 The broken line showing of the bit is for illustrative purposes only and forms no part of the claimed design.

[56] **References Cited**

**U.S. PATENT DOCUMENTS**

D. 159,482	8/1950	Garbs	.....	D8/87
D. 217,324	4/1970	Michels	.....	D8/29
D. 284,346	6/1986	Masters	.....	D8/107
2,950,746	8/1960	Towne	.....	81/177.1
3,672,419	6/1972	Fischer	.....	D8/83



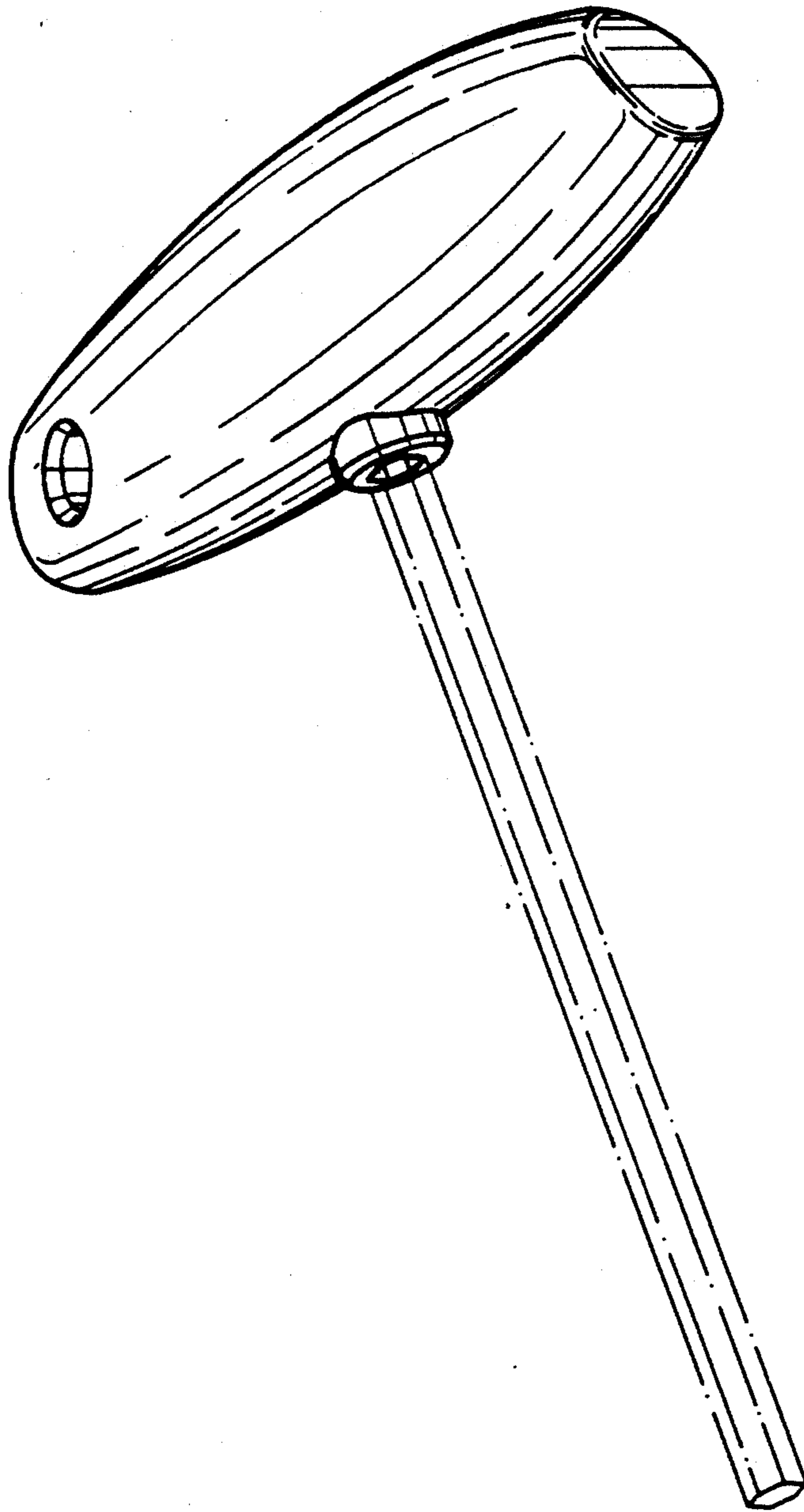


FIG. 1

FIG. 2

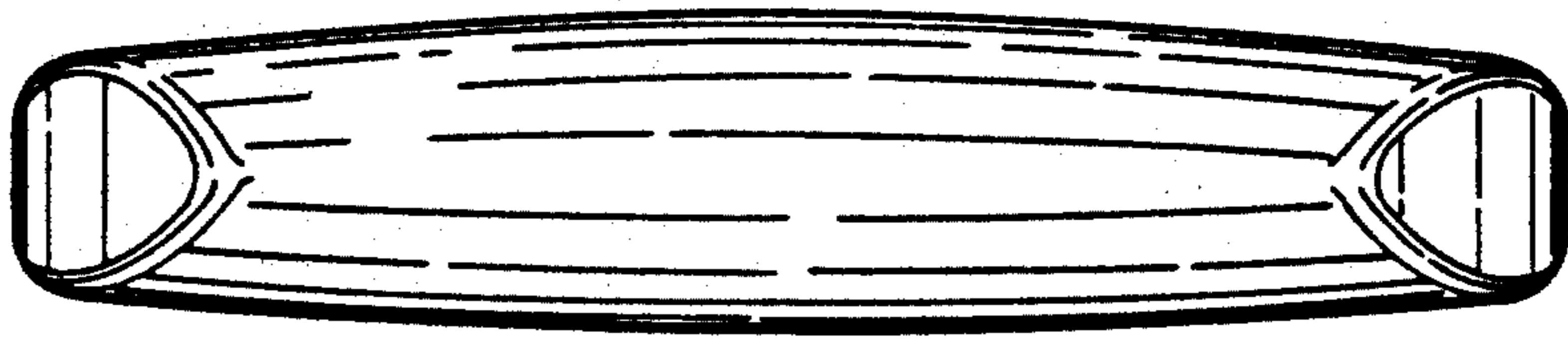


FIG. 3

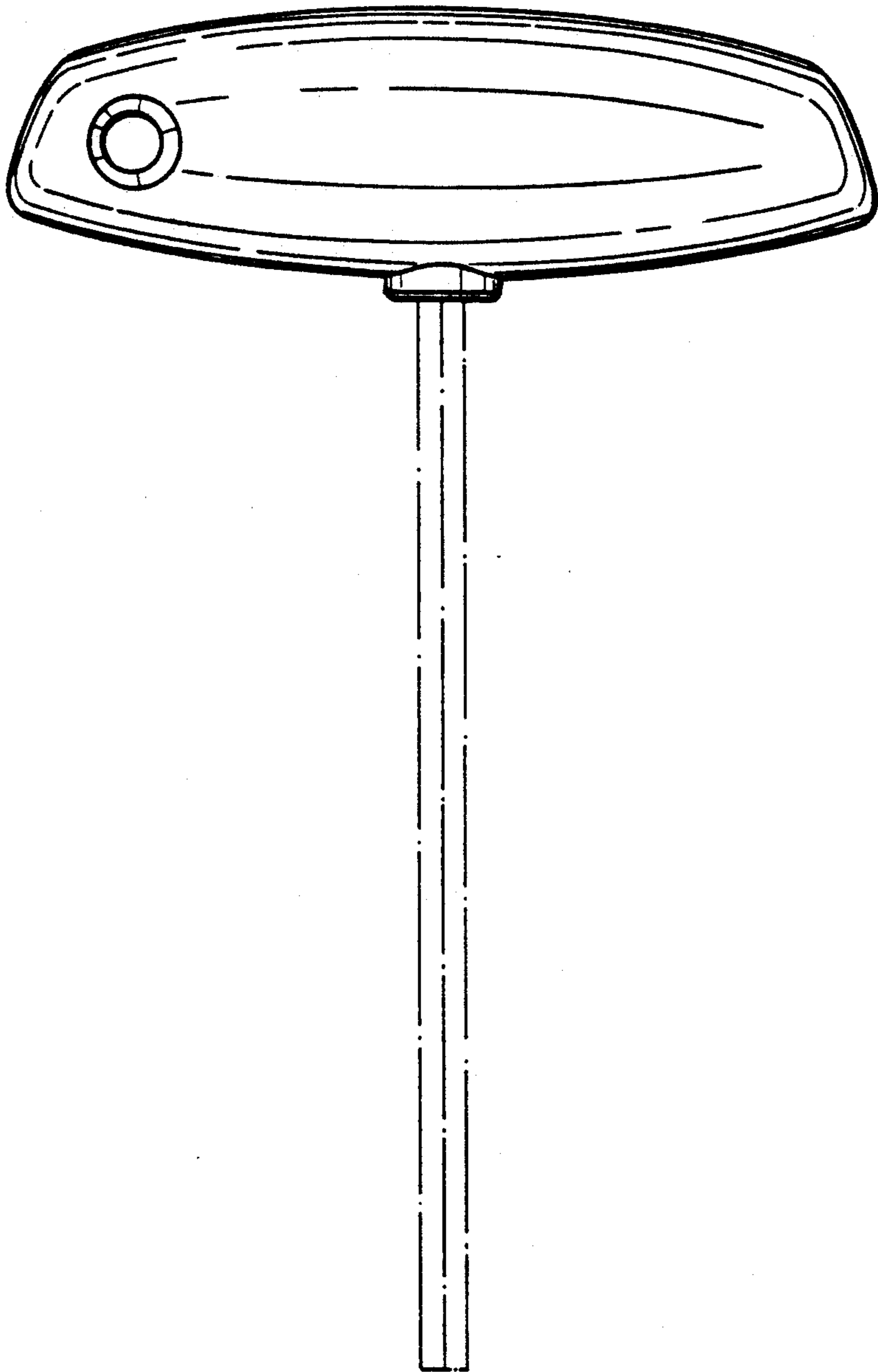


FIG. 4

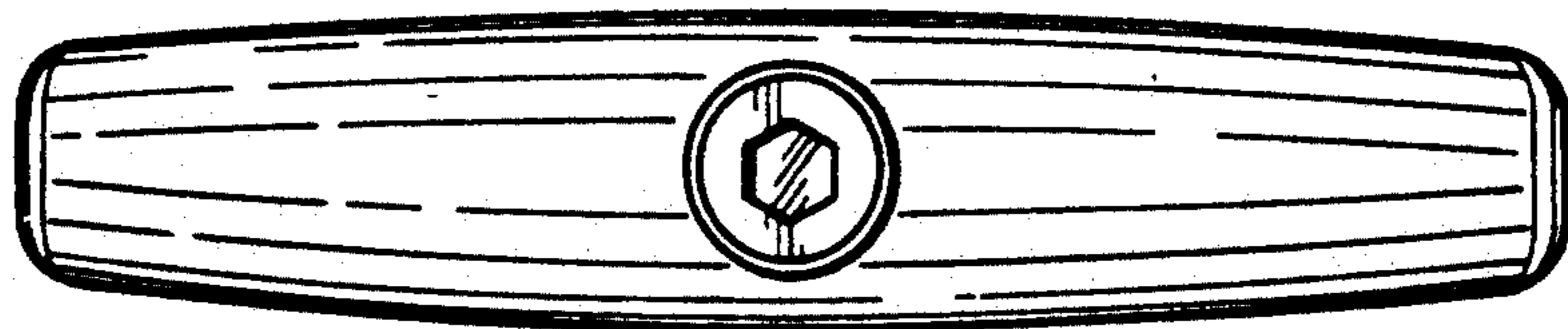


FIG.5

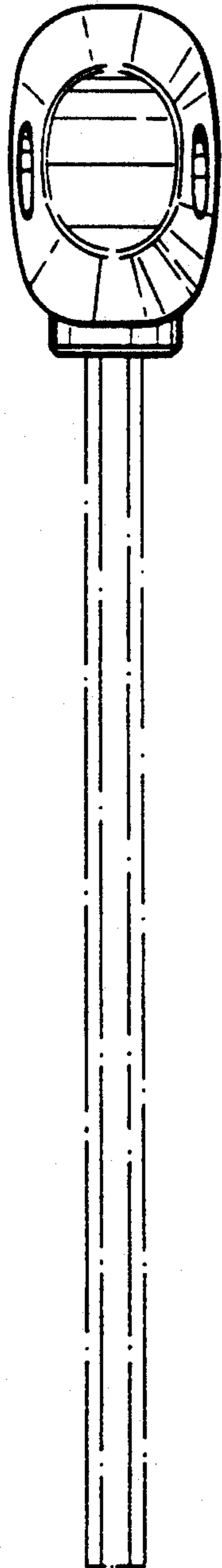


FIG.6

