



US00D339046S

United States Patent [19]

Fushiya et al.

[11] Patent Number: Des. 339,046

[45] Date of Patent: ** Sep. 7, 1993

[54] CORDLESS SCREWDRIVER

[75] Inventors: Fusao Fushiya; Kiyotaka Ichikawa, both of Anjo, Japan

[73] Assignee: Makita Electric Works, Ltd., Anjo, Japan

[*] Notice: The portion of the term of this patent subsequent to Oct. 22, 2005 has been disclaimed.

[**] Term: 14 Years

[21] Appl. No.: 618,820

[22] Filed: Nov. 27, 1990

[30] Foreign Application Priority Data

May 30, 1990 [JP]	Japan	2-18092
[52] U.S. Cl.		D8/68
[58] Field of Search		D8/68, 61; 81/54, 57.11, 81/57.14; 173/170; 408/124, 125

[56] References Cited

U.S. PATENT DOCUMENTS

D. 298,207	10/1988	Kilmer et al.	D8/68
D. 315,855	4/1991	Fushiya et al.	D8/68
D. 320,917	10/1991	Fushiya et al.	D8/68
D. 325,860	5/1992	Fushiya et al.	D8/68

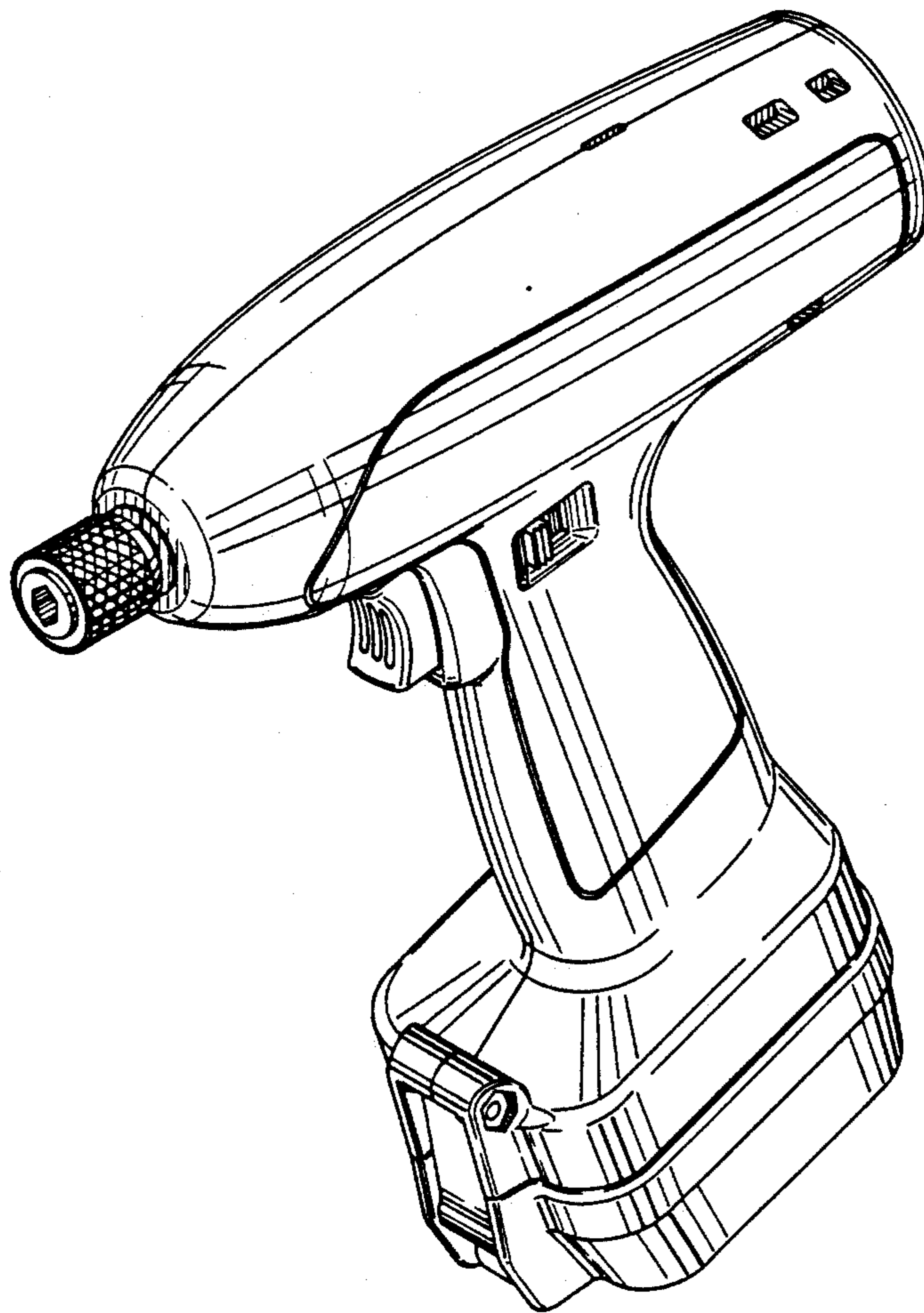
Primary Examiner—Alan P. Douglas
Assistant Examiner—J. H. Musgrove
Attorney, Agent, or Firm—Dennison, Meserole, Pollack & Scheiner

[57] CLAIM

The ornamental design for a cordless screwdriver, as shown and described.

DESCRIPTION

FIG. 1 is a perspective view of a cordless screwdriver showing our new design;
 FIG. 2 is a front elevational view thereof;
 FIG. 3 is a rear elevational view thereof;
 FIG. 4 is a left side elevational view thereof;
 FIG. 5 is a right side elevational view thereof;
 FIG. 6 is a top plan view thereof; and,
 FIG. 7 is a bottom plan view thereof.



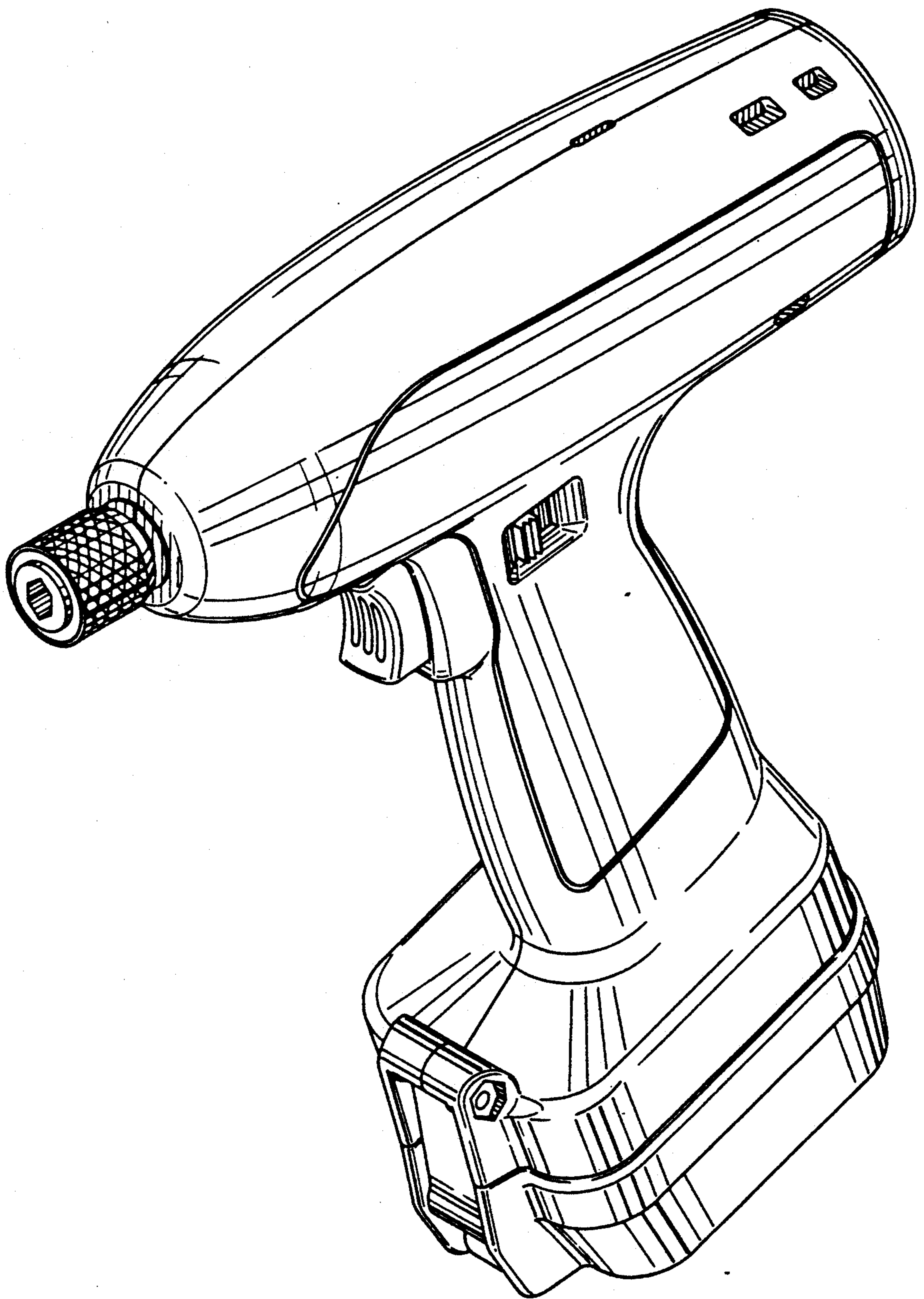


FIG. 1

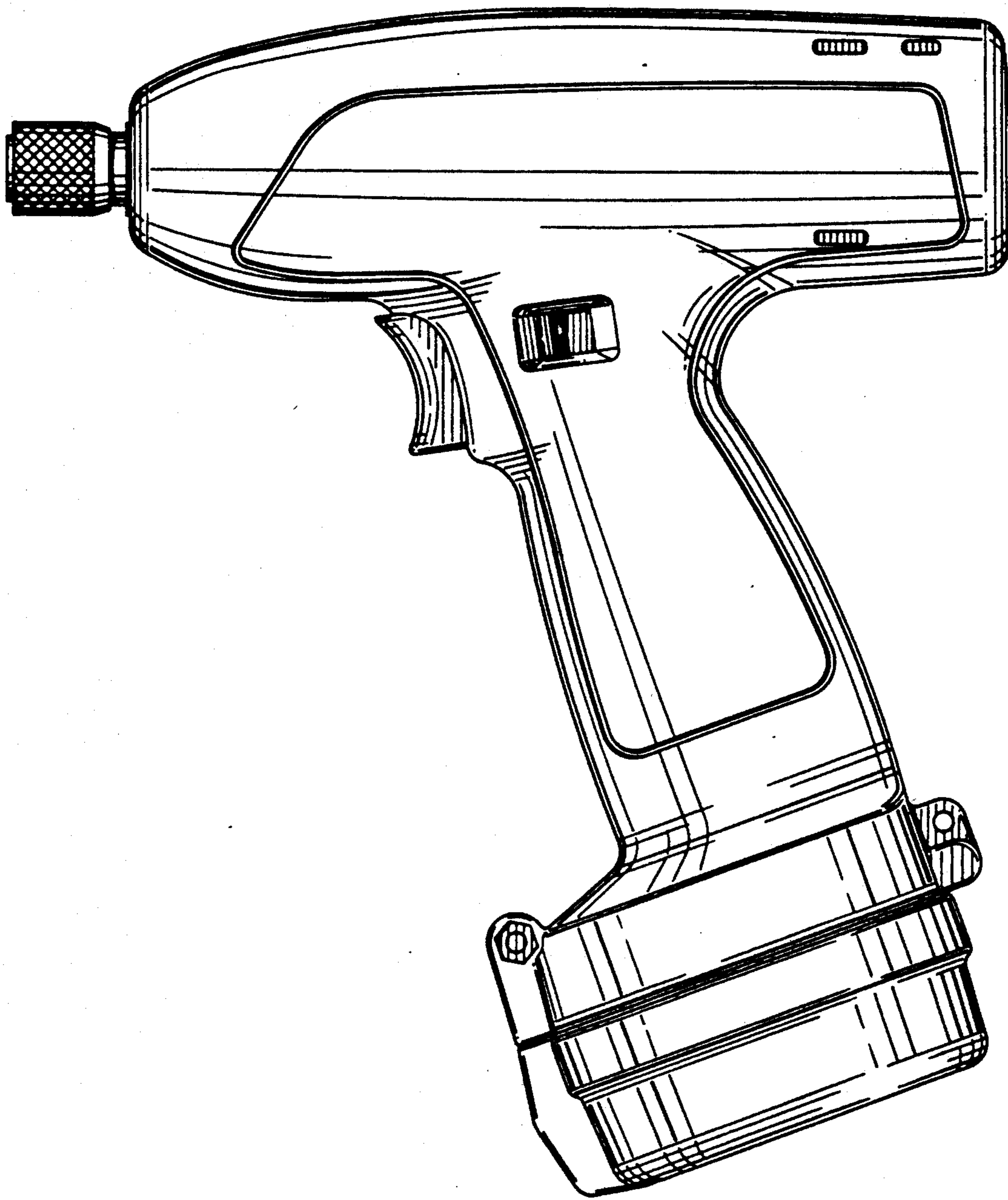


FIG. 2

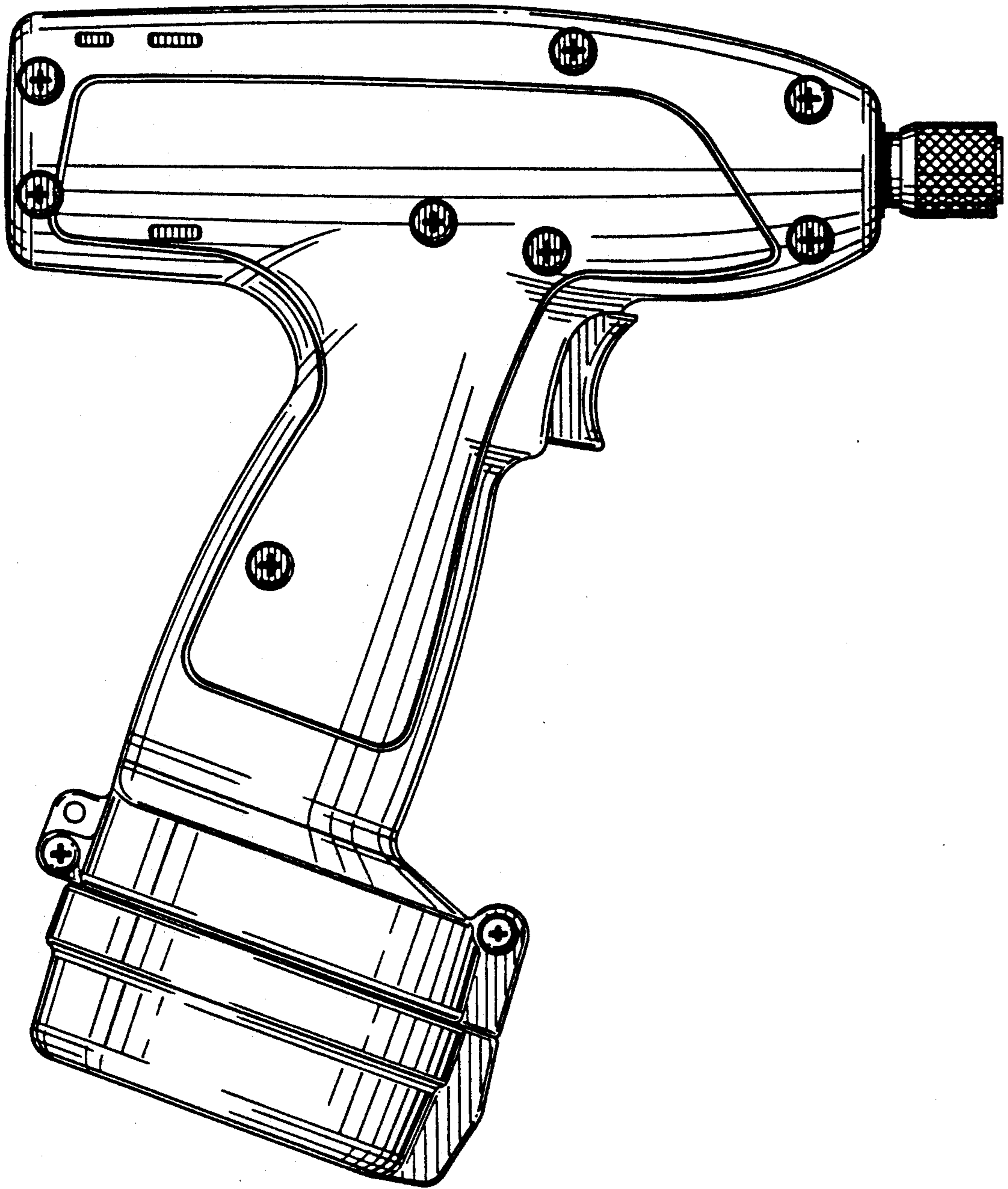


FIG. 3

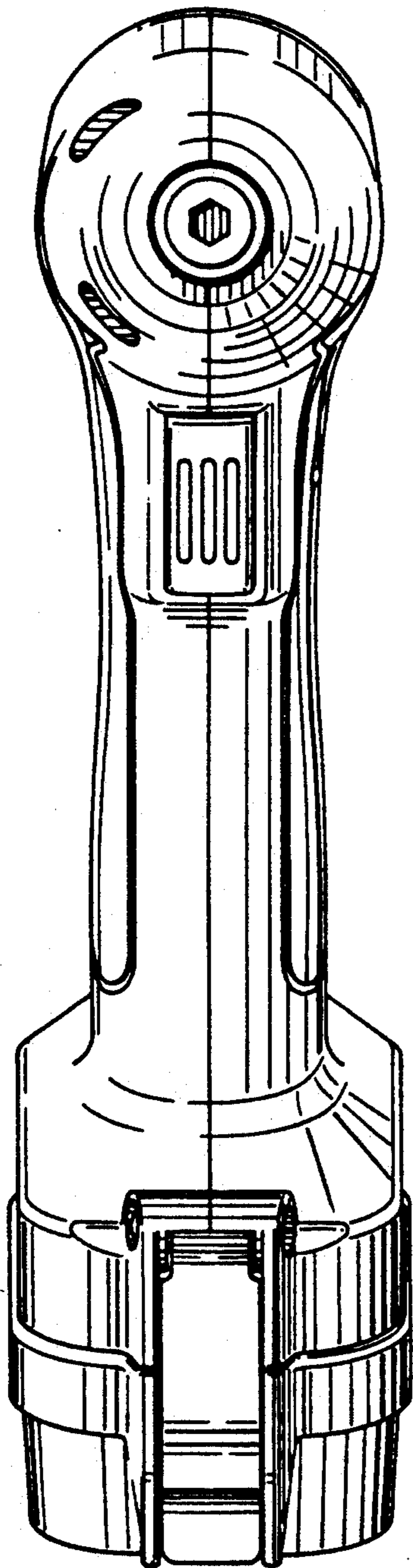


FIG. 4

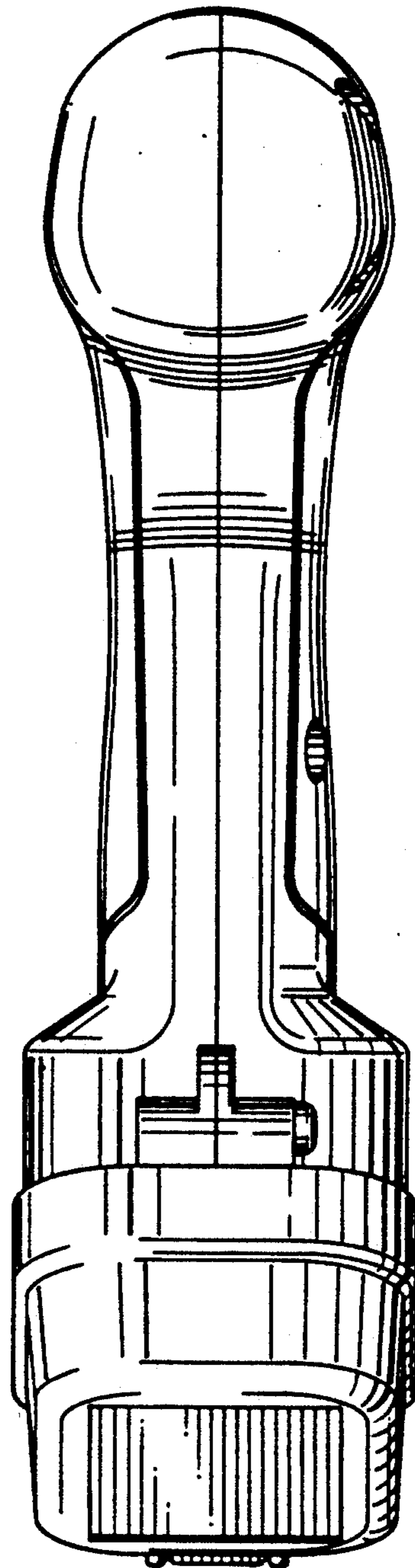


FIG. 5

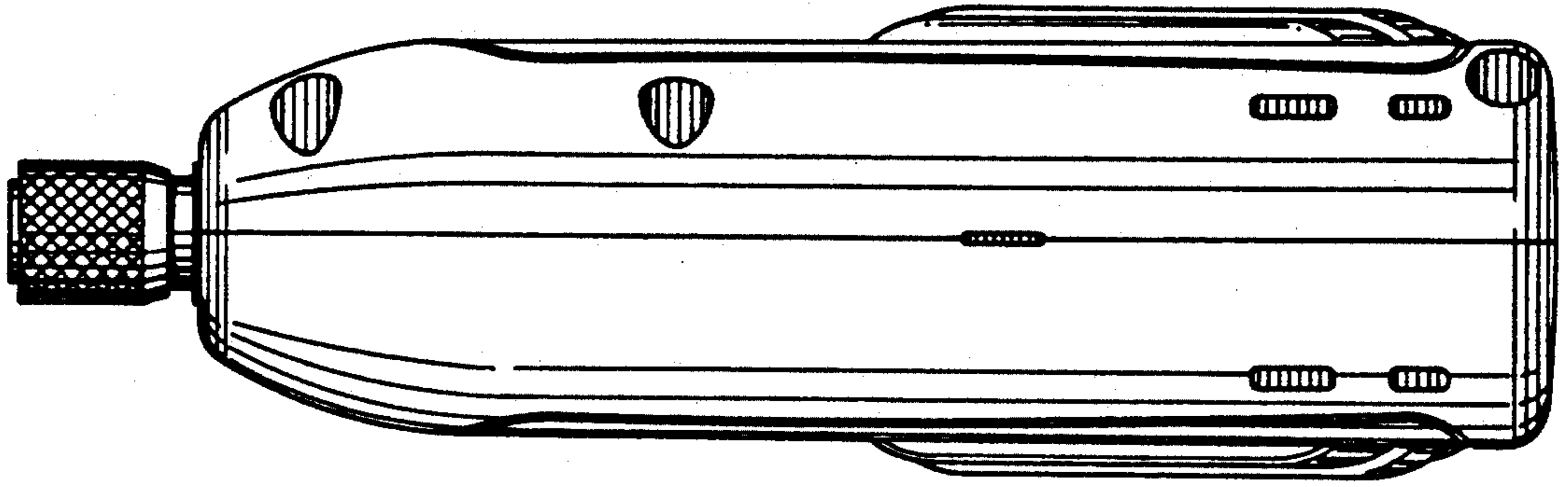


FIG. 6

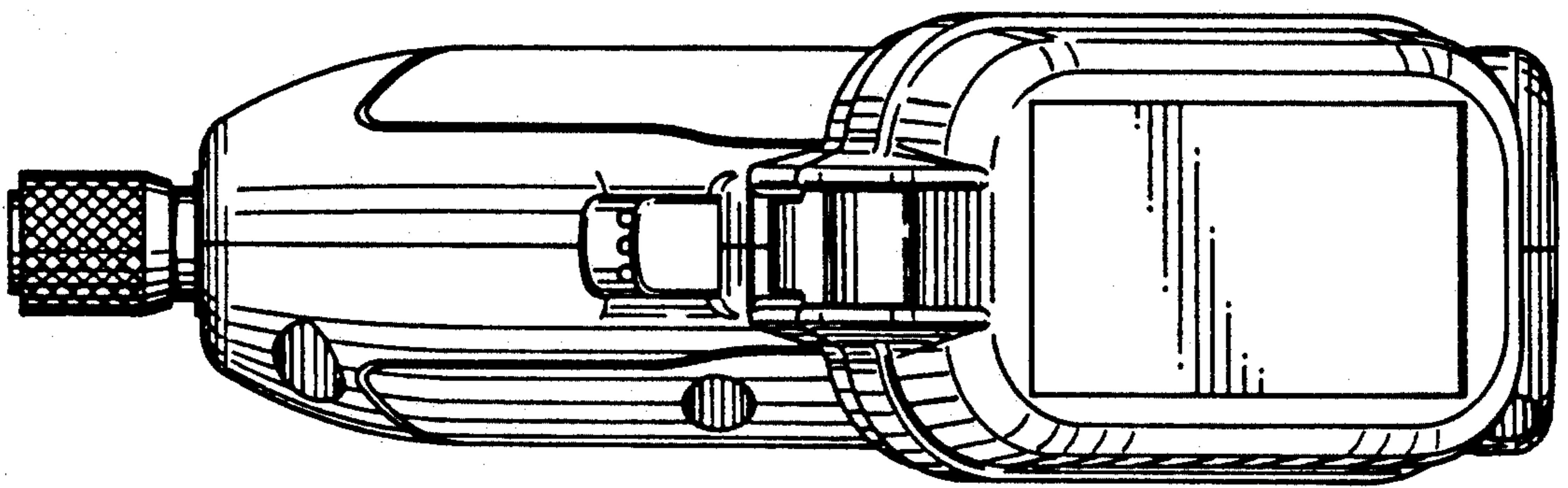


FIG. 7