



US00D339045S

United States Patent [19]

[11] Patent Number: **Des. 339,045**

Staubitz et al.

[45] Date of Patent: **** Sep. 7, 1993**

[54] **PNEUMATIC GRINDER**

[75] Inventors: **Robert B. Staubitz**, Collinsville, Conn.; **Gregory P. Albert**, Waverly, N.Y.; **Kenneth J. Dubuque**, Sheshequin; **Kenneth D. Vanhorn**, Sayre, both of Pa.

[73] Assignee: **Ingersoll-Rand Company**, Woodcliff Lake, N.J.

[**] Term: **14 Years**

[21] Appl. No.: **2,789**

[22] Filed: **Dec. 21, 1992**

Related U.S. Application Data

- [62] Division of Ser. No. 604,435, Oct. 19, 1990, Pat. No. Des. 332,733.
- [52] U.S. Cl. **D8/61**
- [58] Field of Search **D8/61, 62; 51/170 PT; 81/54, 57.11, 57.14, 57.13; 173/170**

[56] **References Cited**

U.S. PATENT DOCUMENTS

- D. 323,274 1/1992 **Sasaki et al.** **D8/61**
- D. 323,961 2/1992 **Fushiya et al.** **D8/61**
- D. 325,502 4/1992 **Rahm et al.** **D8/61**
- D. 325,503 4/1992 **Kikuchi et al.** **D8/61**
- D. 332,733 1/1993 **Staubitz et al.** **D8/61**

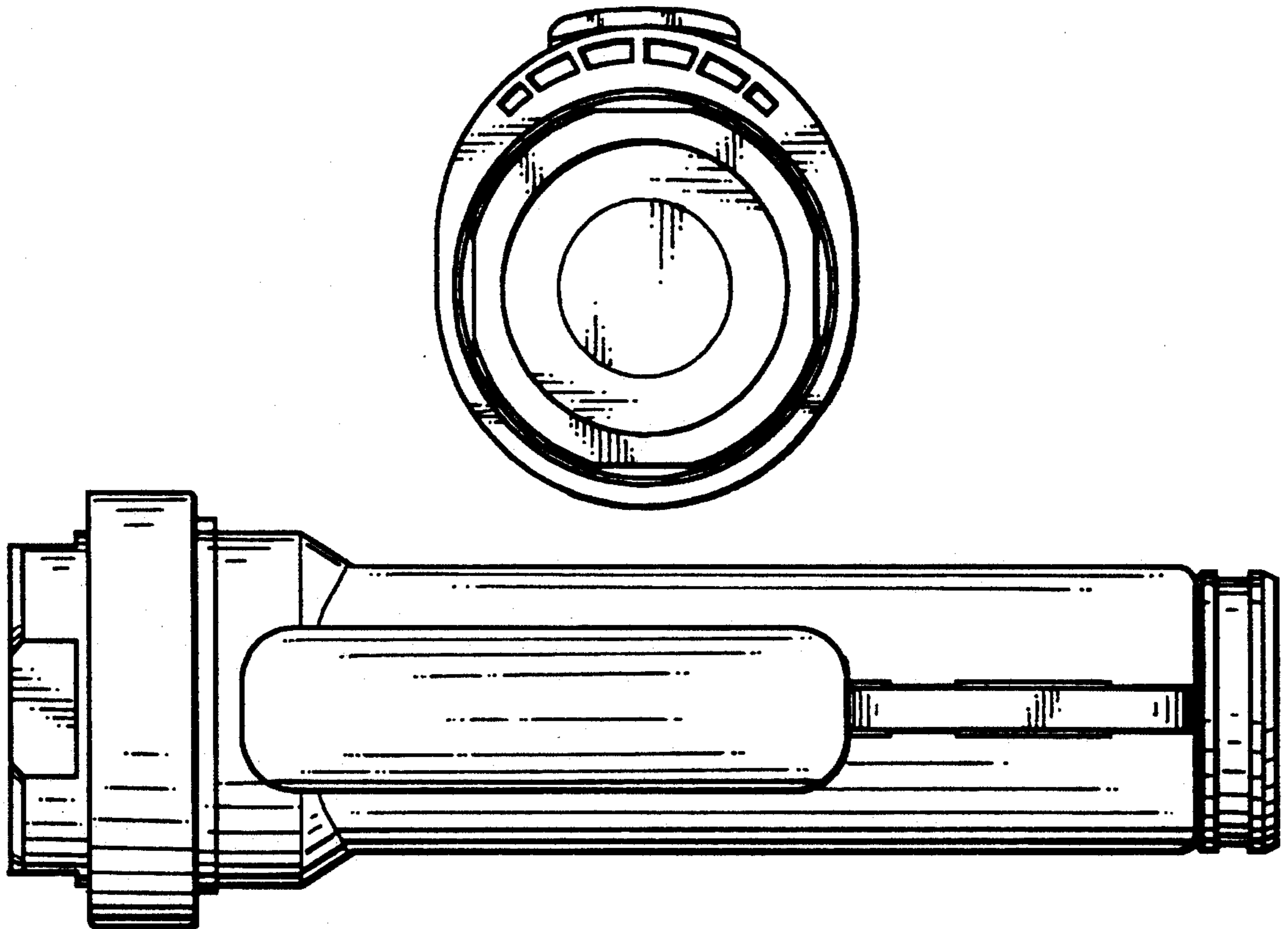
Primary Examiner—Alan P. Douglas
Assistant Examiner—Jeffry H. Musgrove
Attorney, Agent, or Firm—Robert F. Palermo

[57] **CLAIM**

The ornamental design for a pneumatic grinder, as shown and described.

DESCRIPTION

FIG. 1 is a front elevational view of a pneumatic grinder showing our new design; FIG. 2 is a right side elevational view thereof; FIG. 3 is a top plan view thereof; FIG. 4 is a bottom plan view thereof; FIG. 5 is a left side elevational view thereof; and, FIG. 6 is a rear elevational view of FIG. 1.



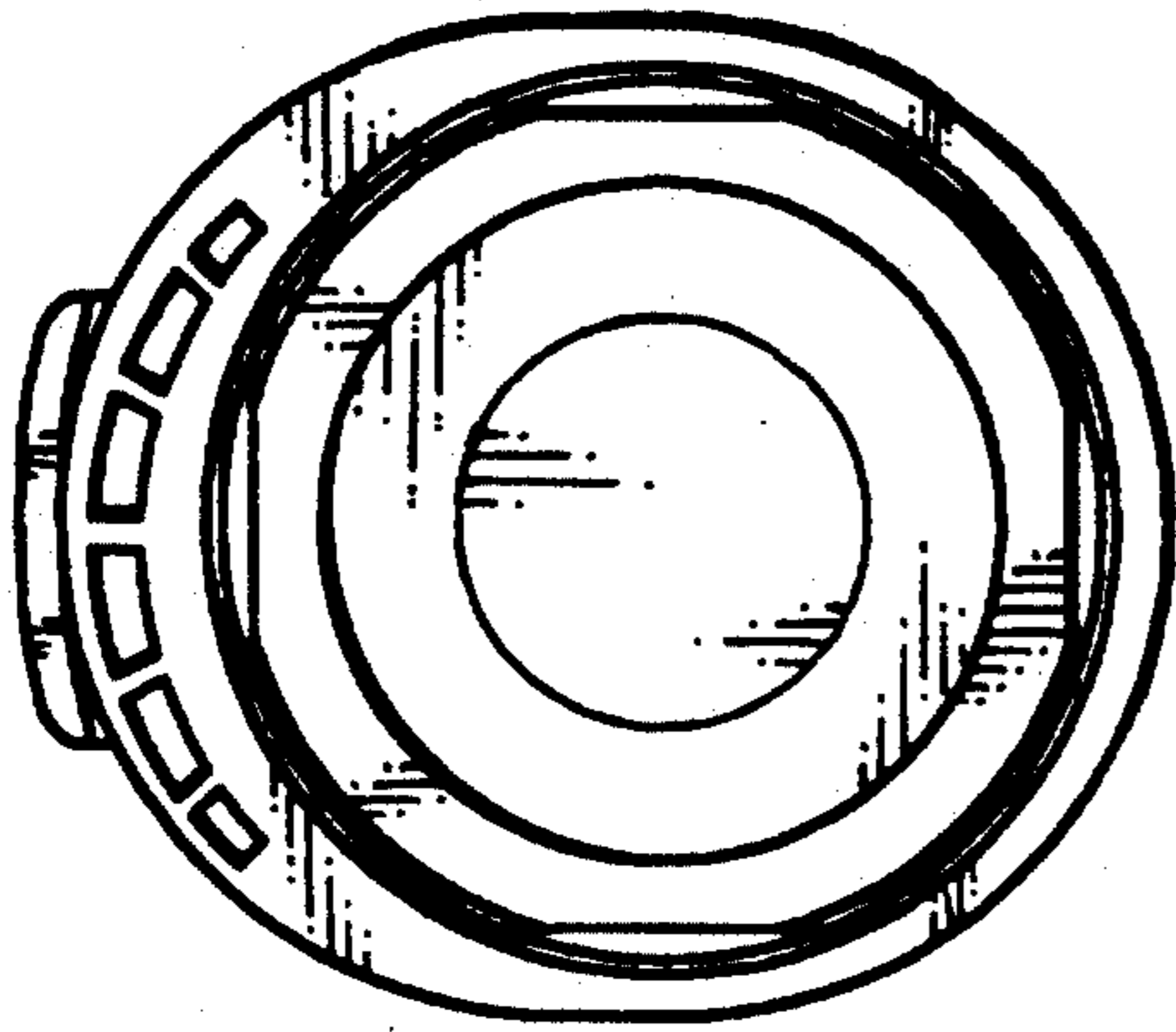


FIG. 1

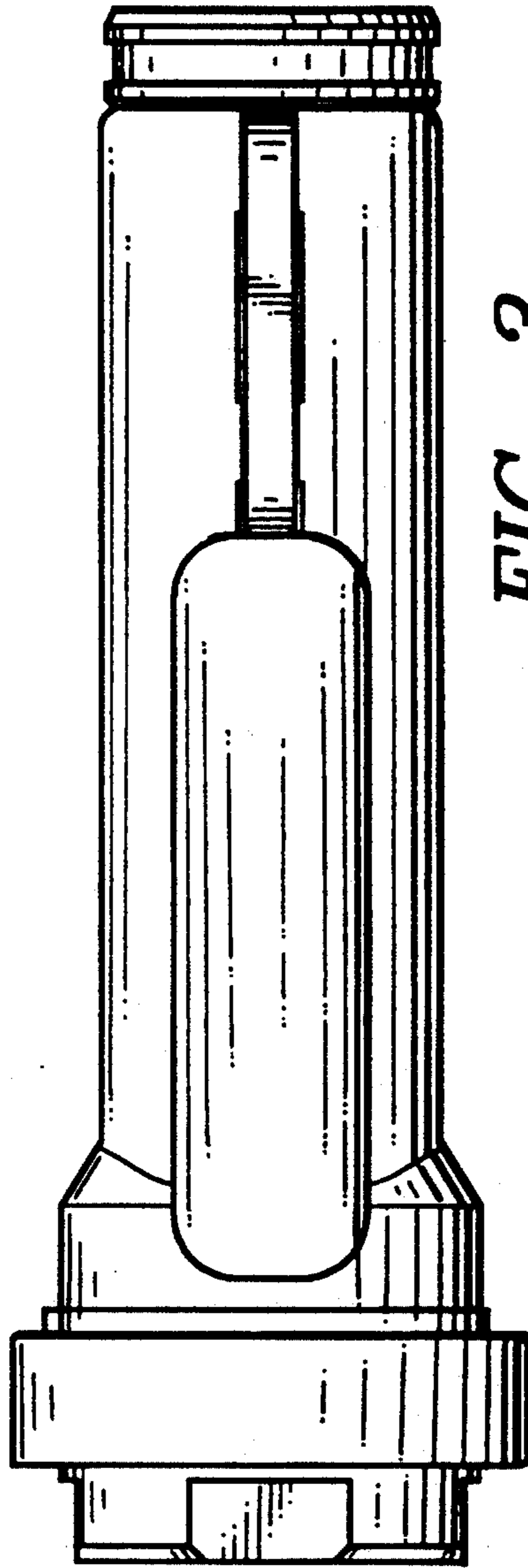


FIG. 3

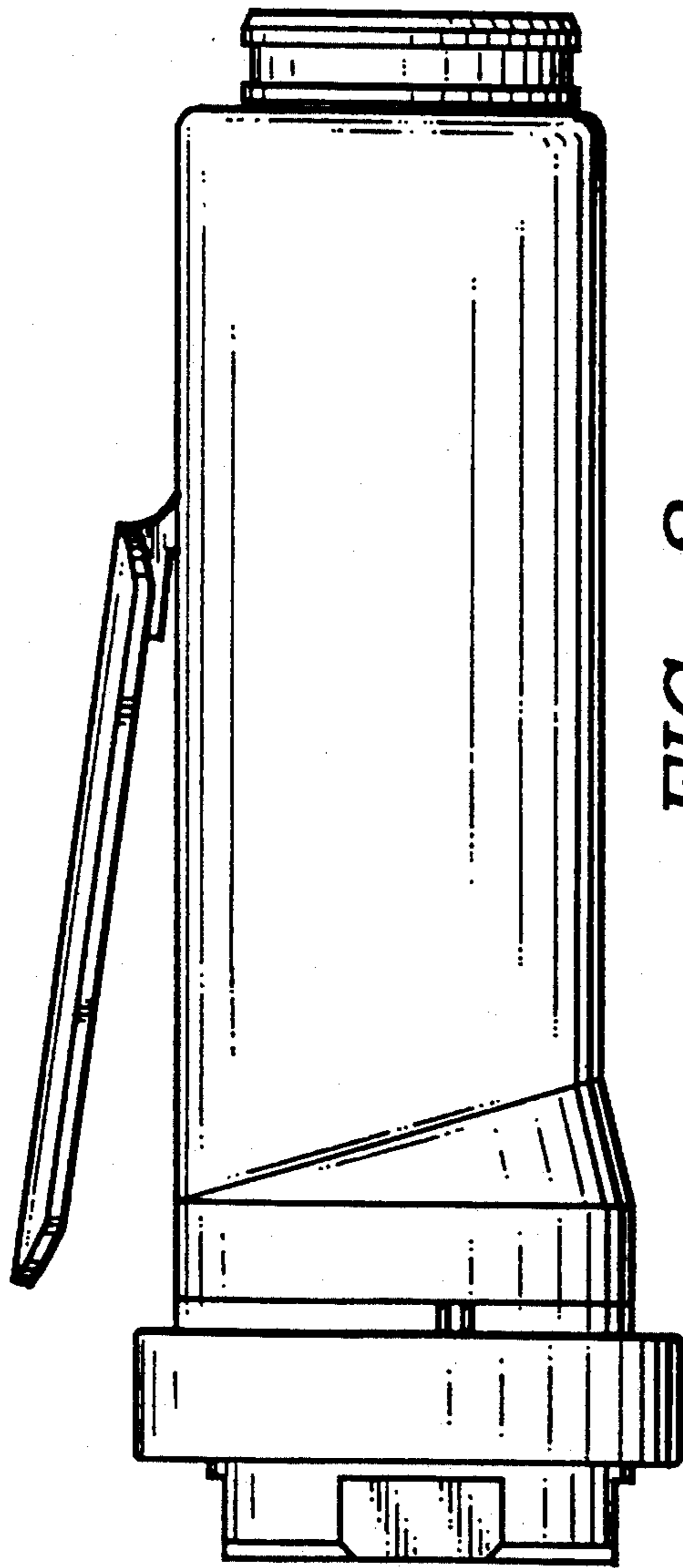


FIG. 2

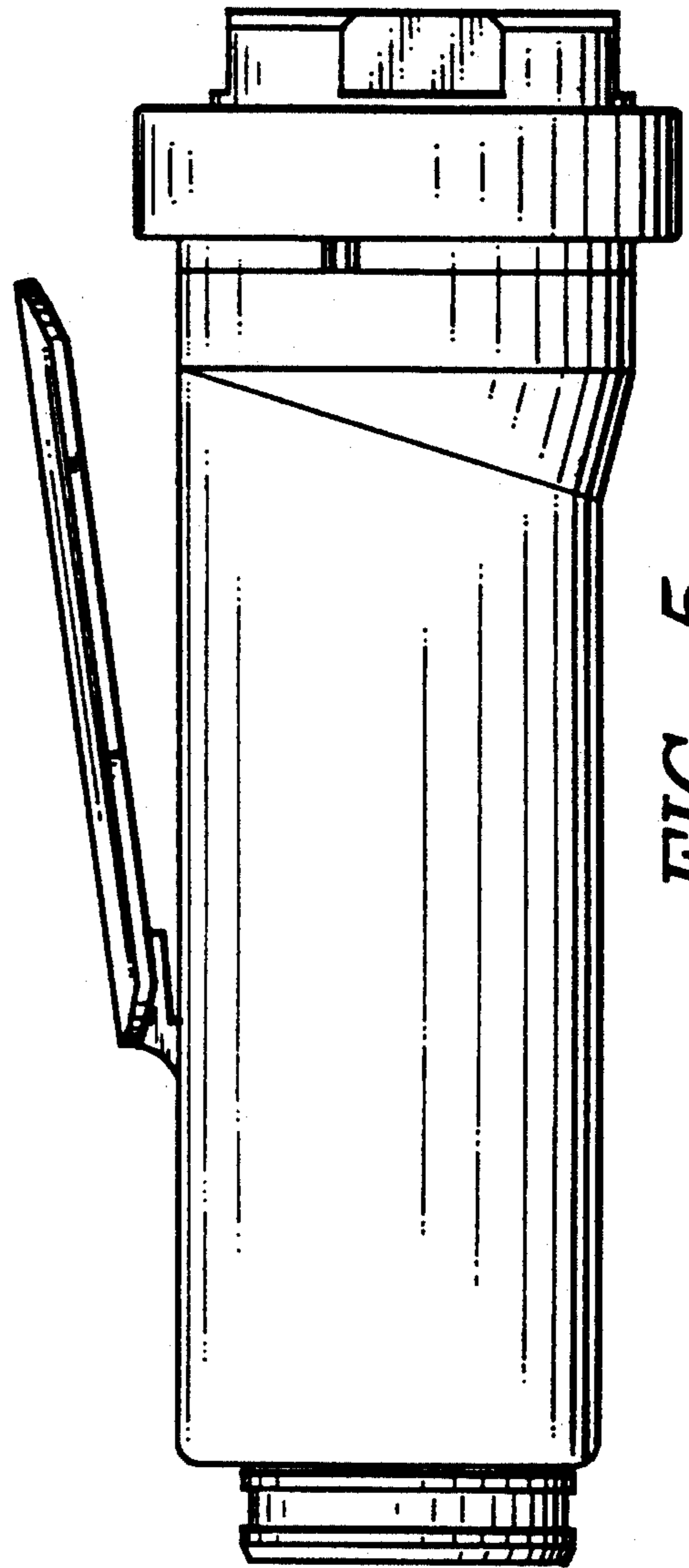


FIG. 5

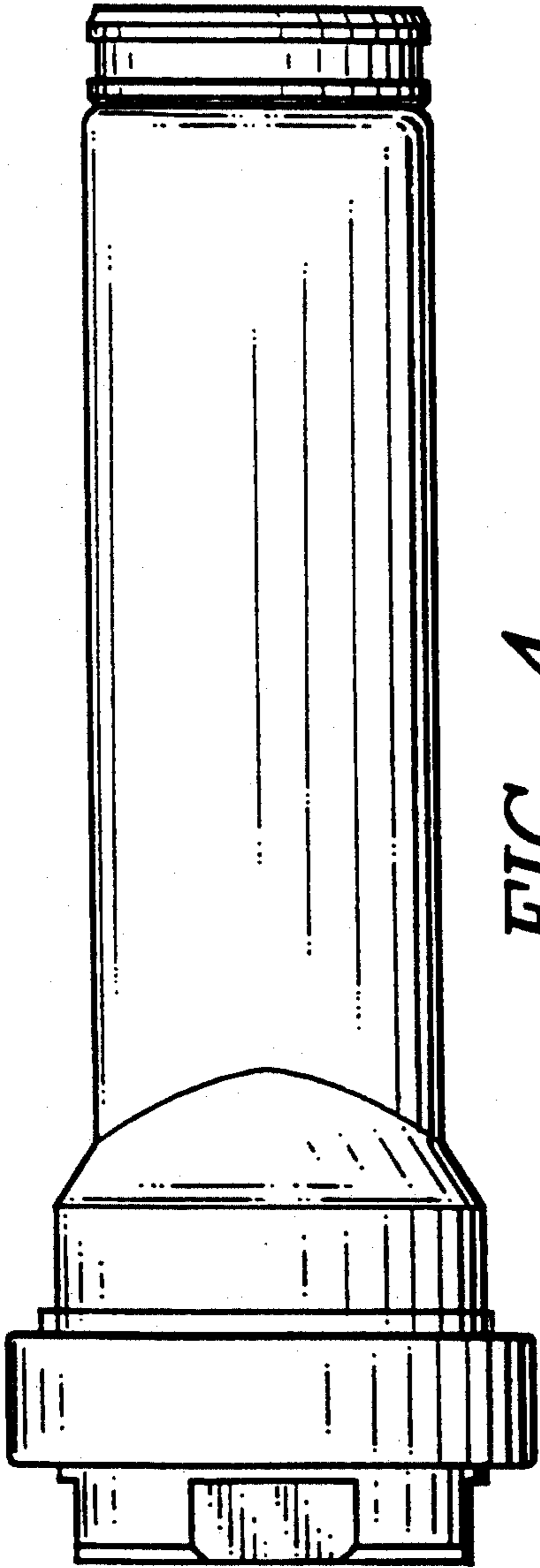


FIG. 4

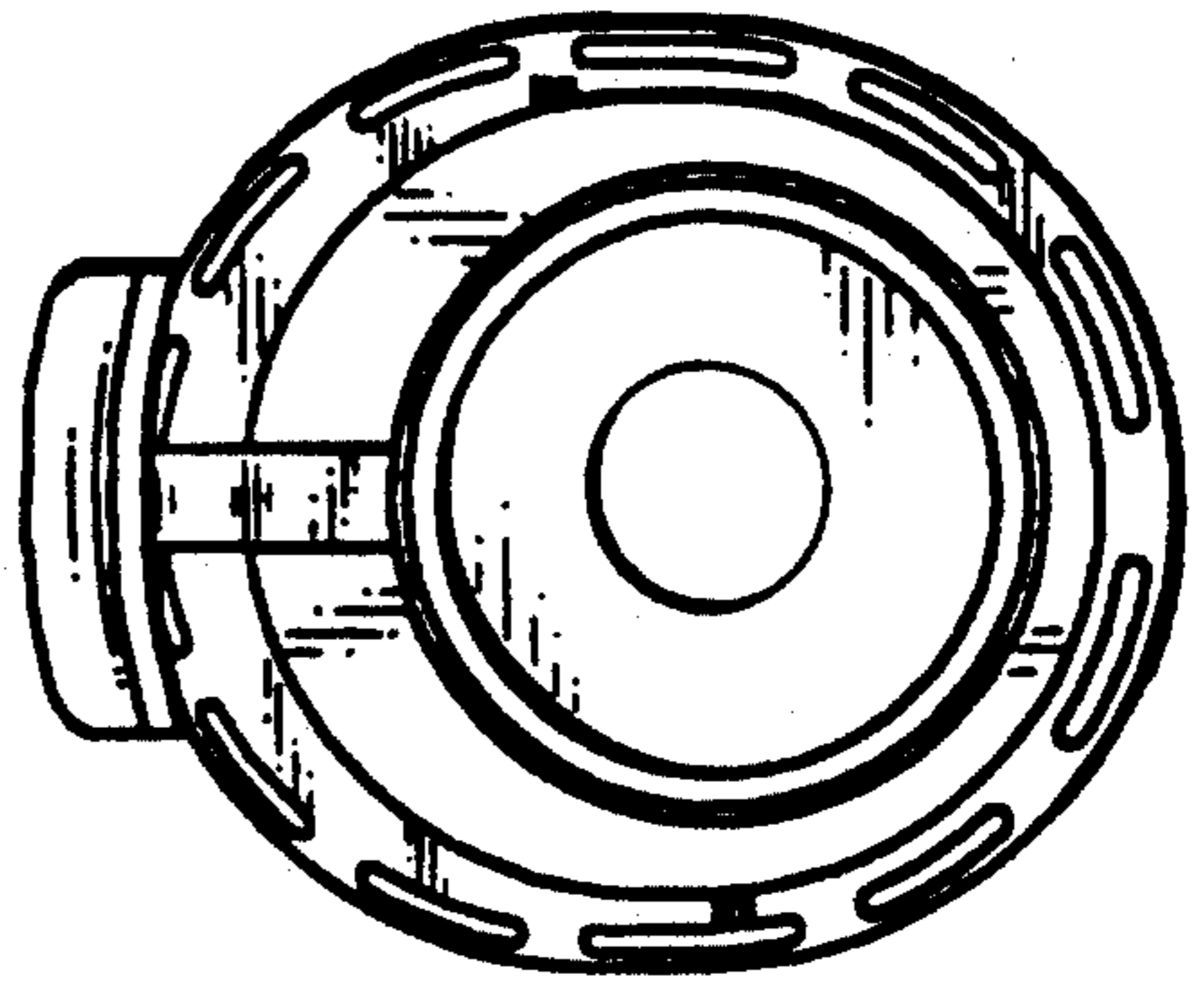


FIG. 6