



US00D339044S

United States Patent [19]

[11] Patent Number: **Des. 339,044**

Kennedy

[45] Date of Patent: **** Sep. 7, 1993**

[54] **CHALK LINE MARKING APPARATUS**

4,660,291	4/1987	Dehn	33/414
4,773,162	9/1988	Lin	33/414
4,926,562	5/1990	Hwu	33/414

[76] Inventor: **Kenneth Kennedy, P.O. Box 611, Middletown, Calif. 95461-0611**

Primary Examiner—Bernard Ansher
Assistant Examiner—Philip Hyder
Attorney, Agent, or Firm—Terry M. Gernstein

[**] Term: **14 Years**

[21] Appl. No.: **726,553**

[57] **CLAIM**

[22] Filed: **Jul. 8, 1991**

The ornamental design for a chalk line marking apparatus, as shown and described.

[52] U.S. Cl. **D8/51; D8/14**

[58] Field of Search **D8/14, 51; 33/413, 414**

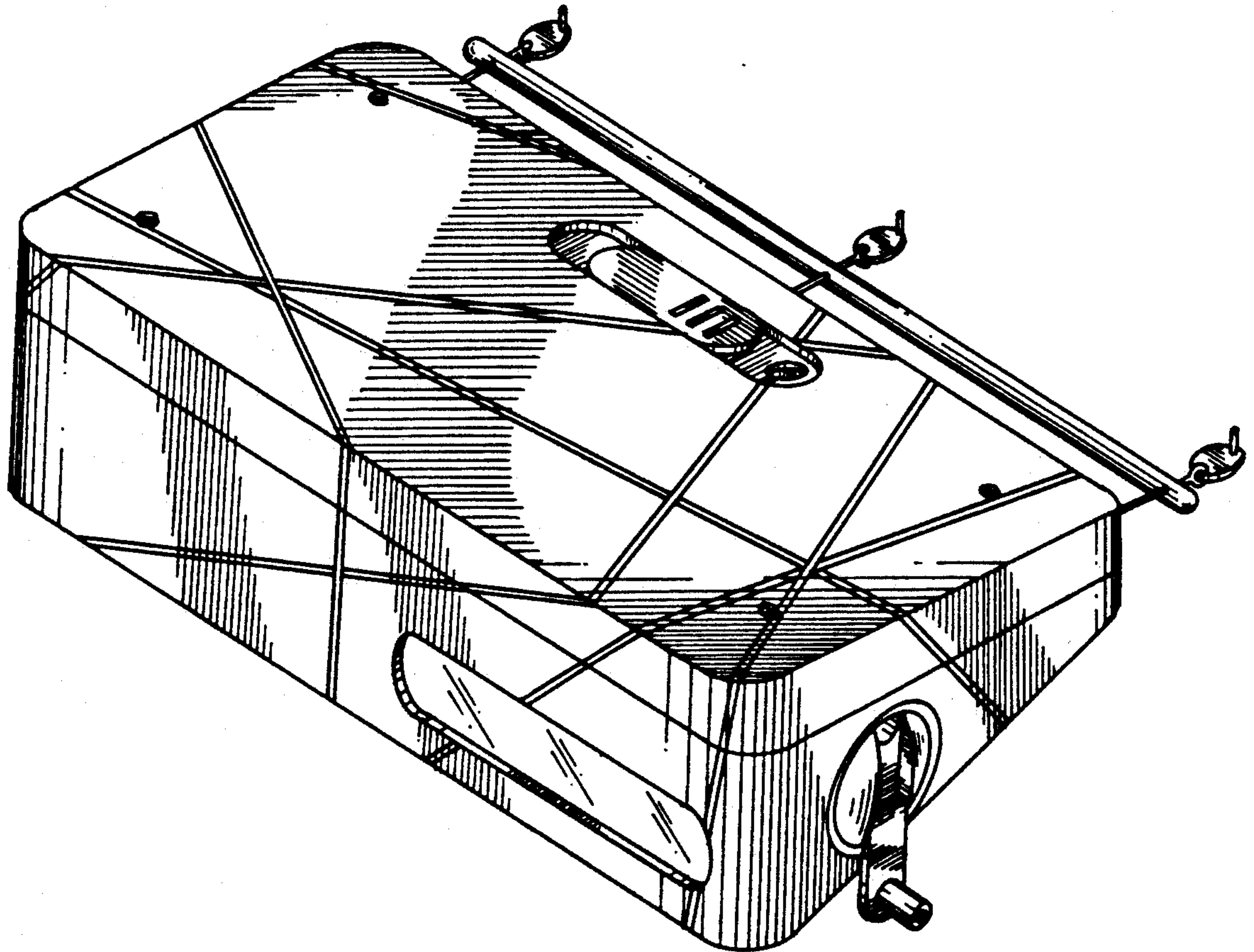
DESCRIPTION

[56] **References Cited**

U.S. PATENT DOCUMENTS

997,803	7/1911	Giffin	33/414
3,046,663	7/1962	Romero	33/414
3,078,581	2/1963	Foster	33/414
3,099,091	7/1963	Hindall	33/414
3,721,009	3/1973	Lucich	33/414
4,192,078	3/1980	Lore	33/414

FIG. 1 is a perspective view of a chalk line marking apparatus showing my new design; FIG. 2 is a front elevational view thereof; FIG. 3 is a rear elevational view thereof; FIG. 4 is a right side elevational view thereof; FIG. 5 is a left side elevational view thereof; FIG. 6 is a top plan view thereof; and, FIG. 7 is a bottom view thereof.



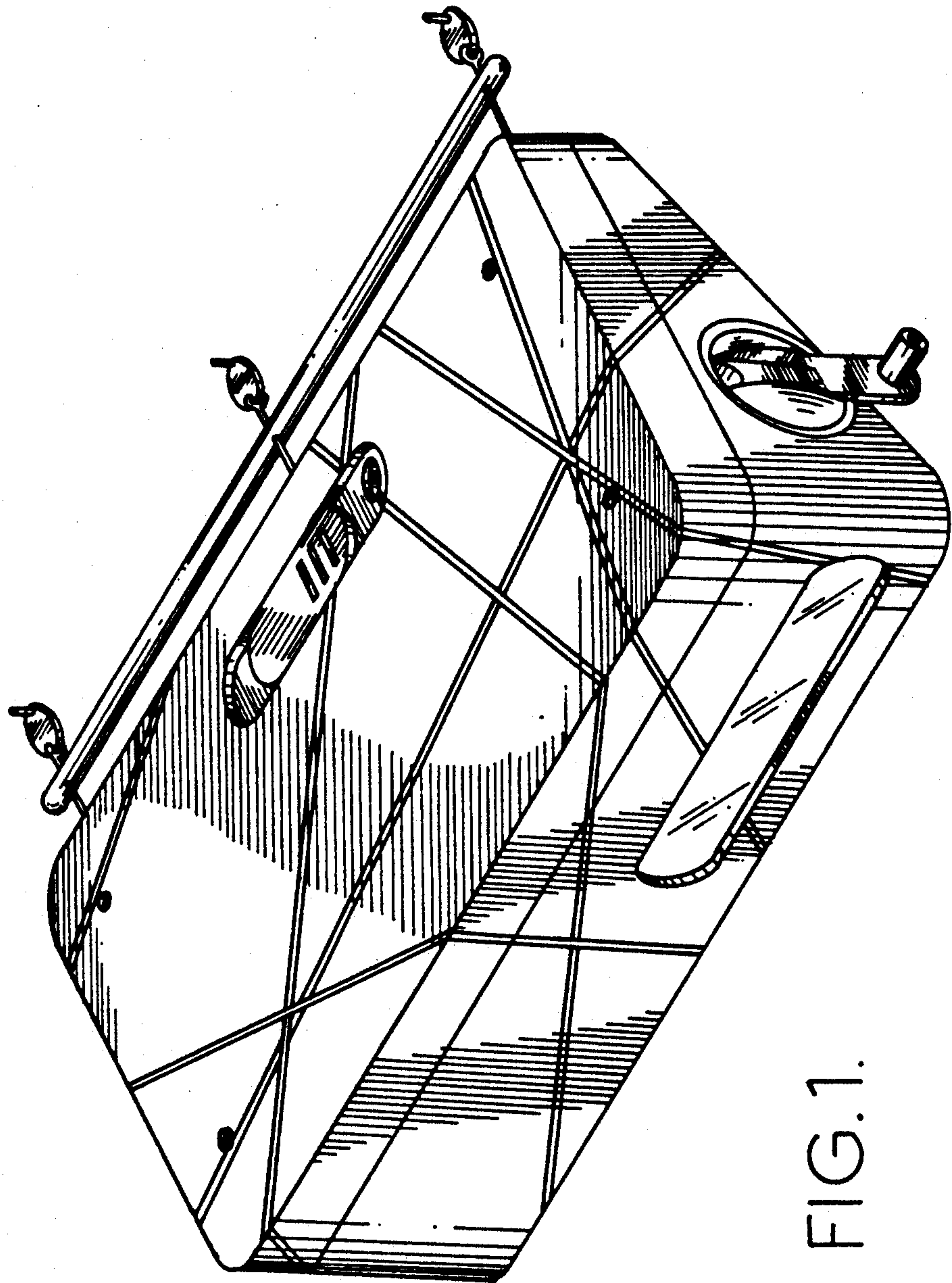


FIG.1.

FIG. 2.

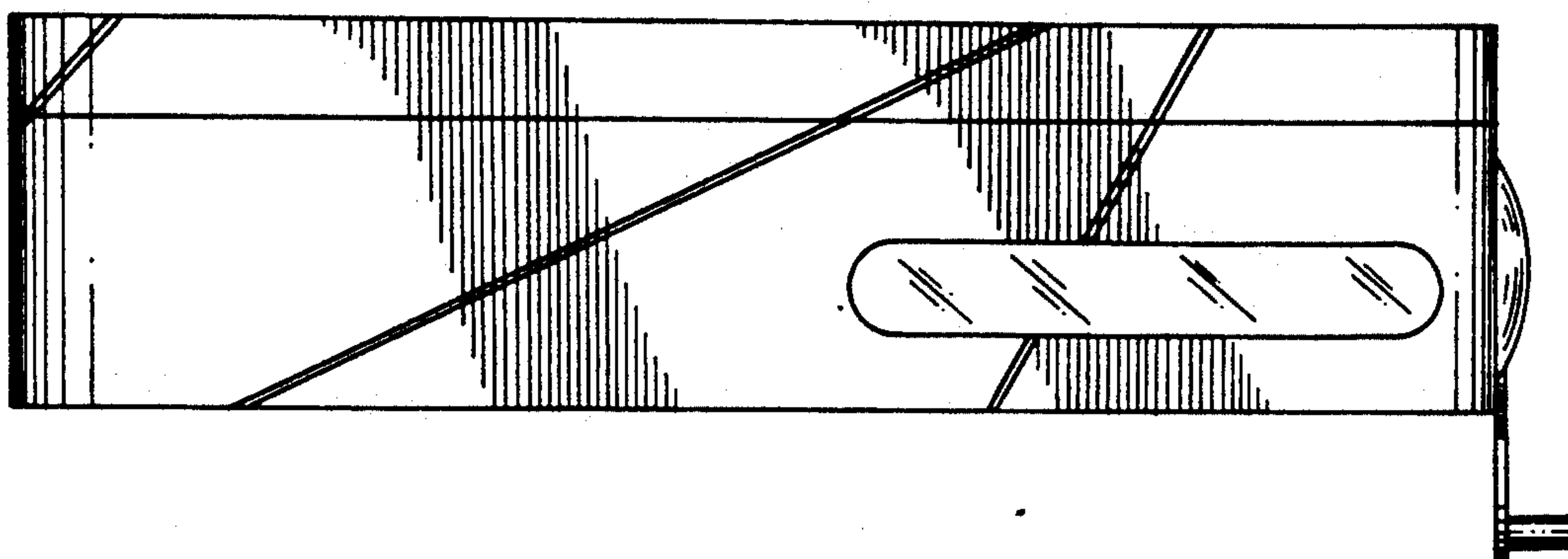
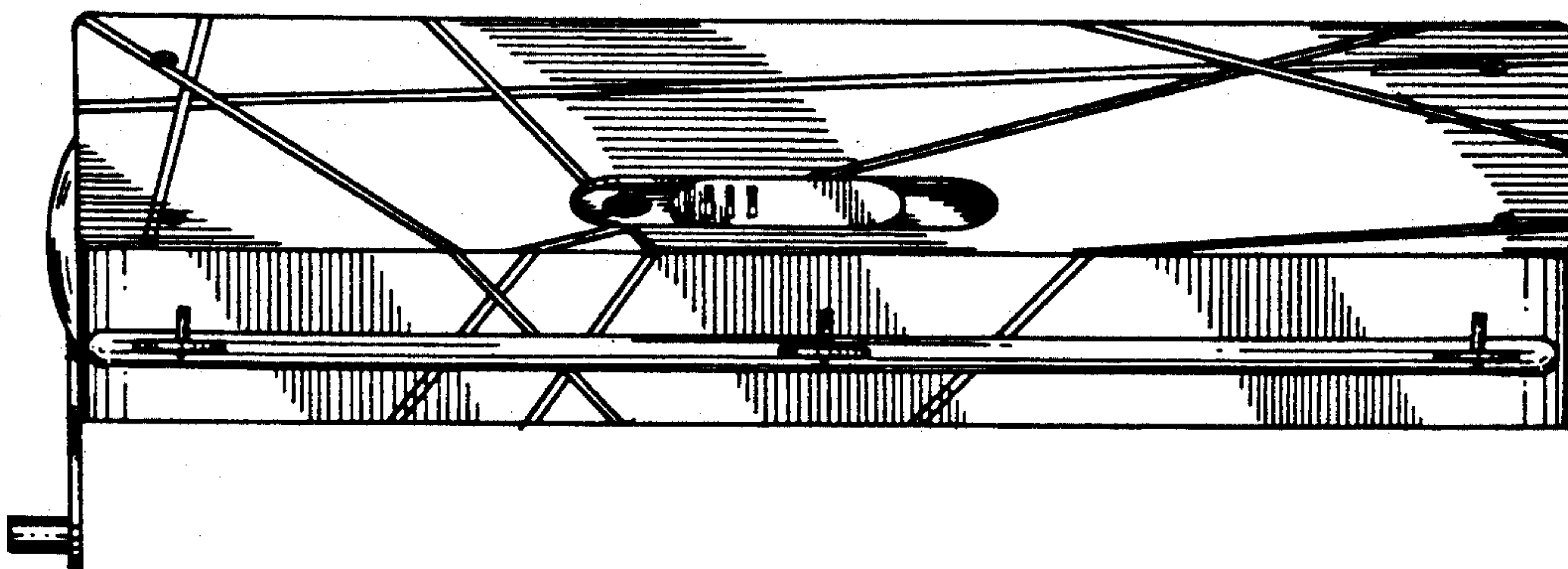


FIG. 3.



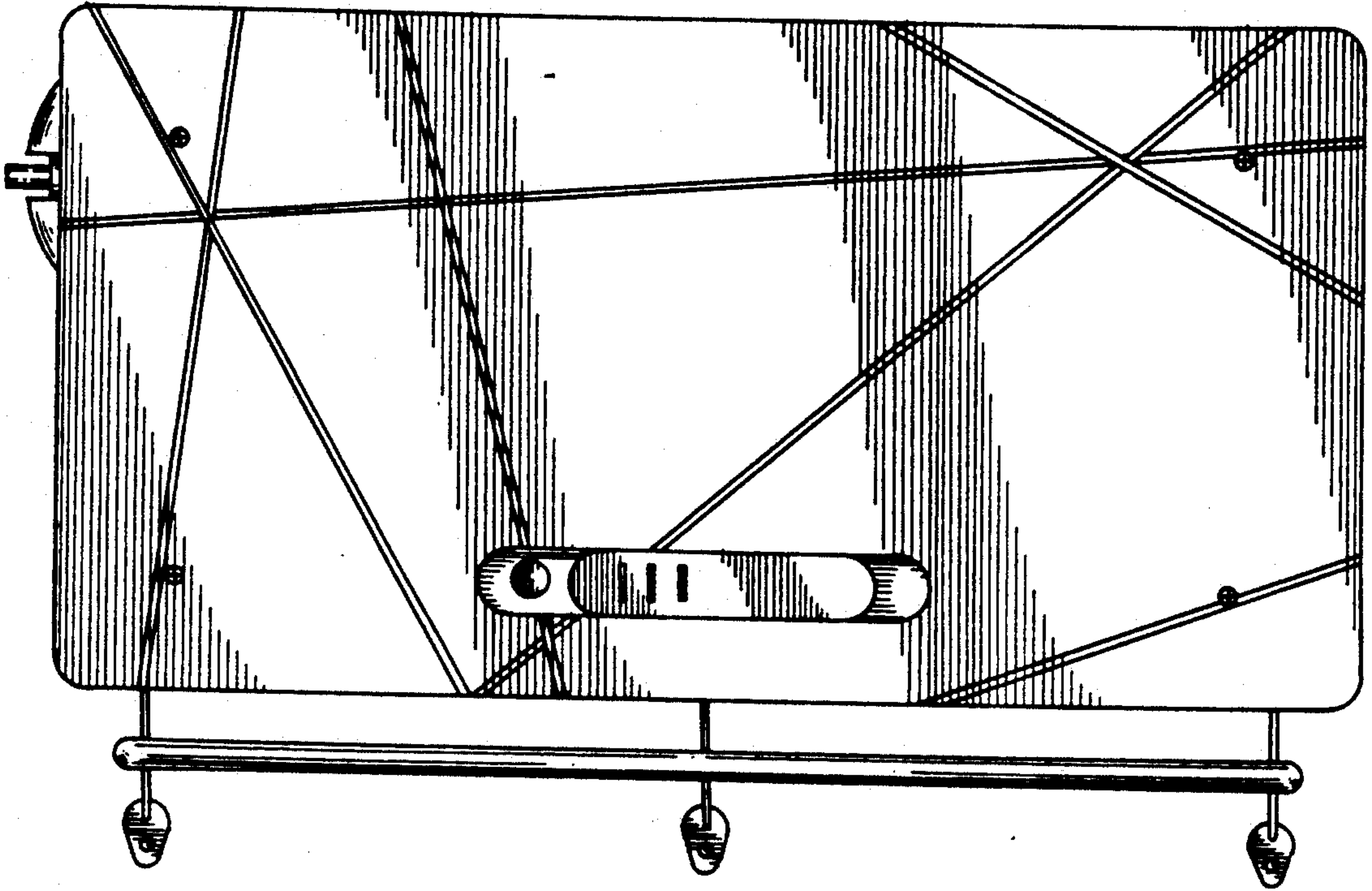


FIG. 6.

FIG. 4.

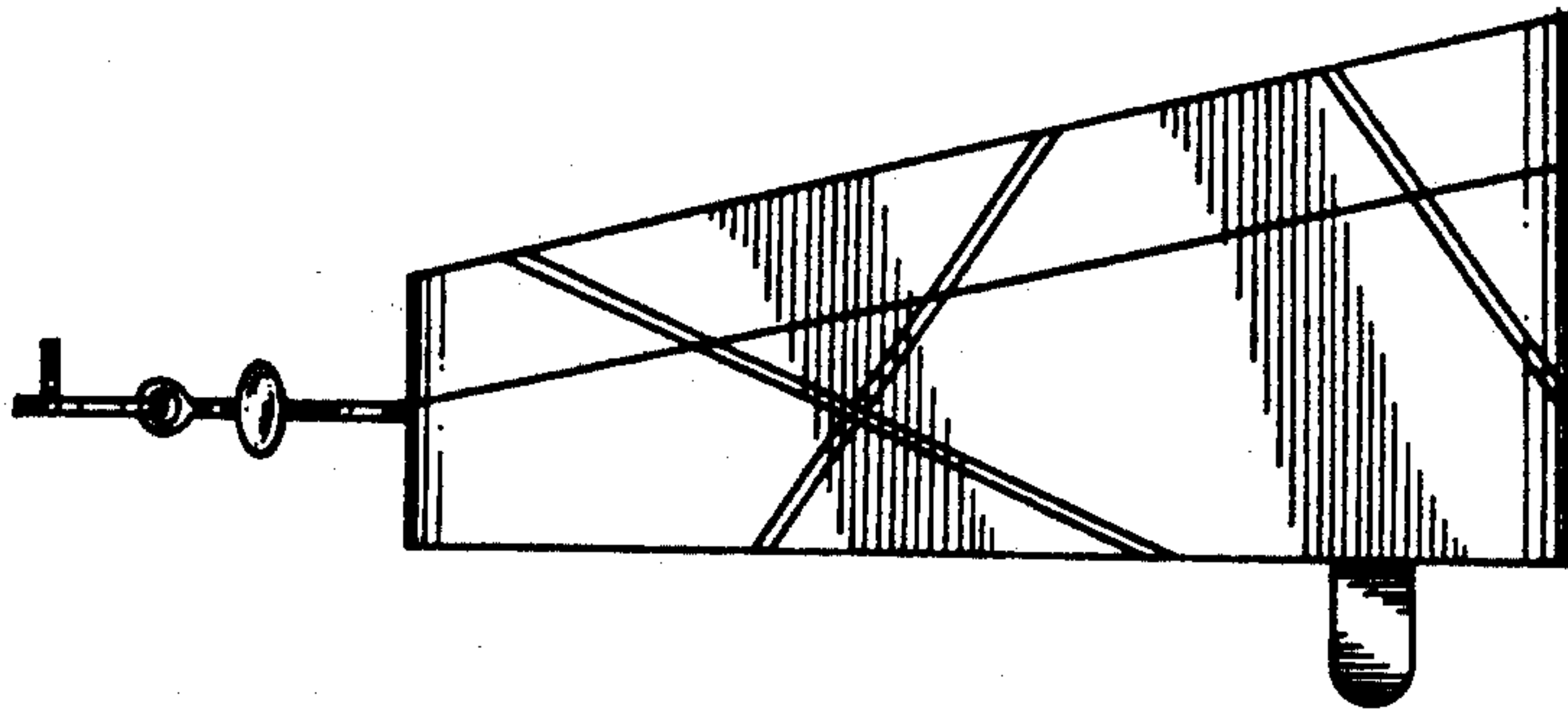


FIG. 5.

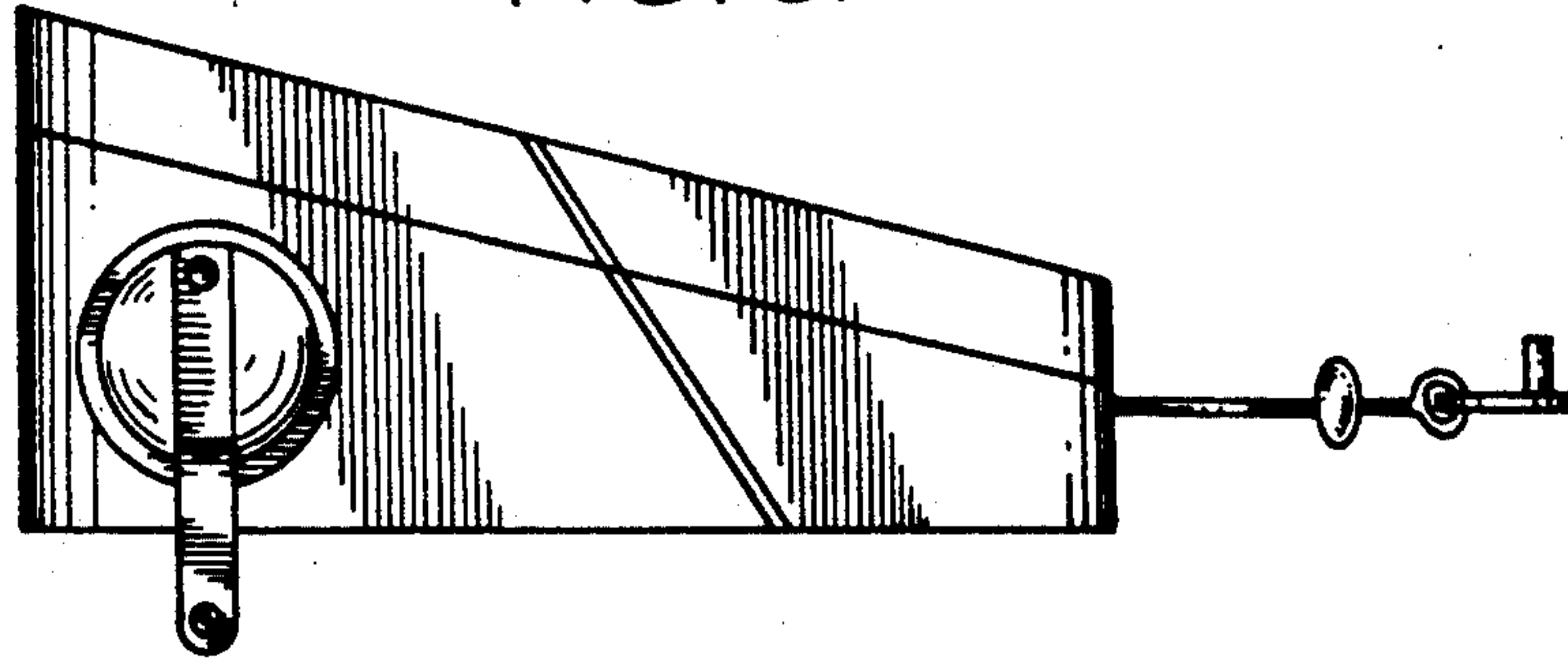


FIG. 7.

