



US00D339042S

United States Patent [19]

[11] Patent Number: **Des. 339,042**

Friend

[45] Date of Patent: **** Sep. 7, 1993**

[54] CAN OPENER

2,554,420 5/1951 Okey 7/152
3,315,353 4/1967 Thomas 30/416

[76] Inventor: **John H. Friend**, 10200 Arno Rd.,
Galt, Calif. 95632

OTHER PUBLICATIONS

[**] Term: **14 Years**

Premium Practice, Mar. 1937 p. 35.

[21] Appl. No.: **952,172**

Primary Examiner—Bernard Ansher

[22] Filed: **Sep. 28, 1992**

Assistant Examiner—R. Barkai

[52] U.S. Cl. **D8/42**

Attorney, Agent, or Firm—Basil Travis

[58] Field of Search **D8/18, 33-34,**
D8/37, 39, 40-43; 81/3.4, 3.07, 3.08, 3.09, 3.15,
3.29, 3.35, 3.36, 3.37, 3.41, 3.42, 3.43, 3.48, 3.55,
3.57; 7/151-152, 155-156; 30/416, 420, 422,
427, 450

[57] CLAIM

The ornamental design for a can opener, as shown and described.

[56] References Cited

DESCRIPTION

U.S. PATENT DOCUMENTS

D. 86,718	4/1932	Higginbotham	D8/39
D. 112,628	12/1938	Zimmer	D8/39
D. 139,840	12/1944	Crandell	D8/39
D. 301,826	6/1989	Tucker	D8/18
1,974,863	9/1934	Fleaca	30/416

FIG. 1 is a left side elevational view of a can opener showing my new design;

FIG. 2 is a right side elevational view thereof;

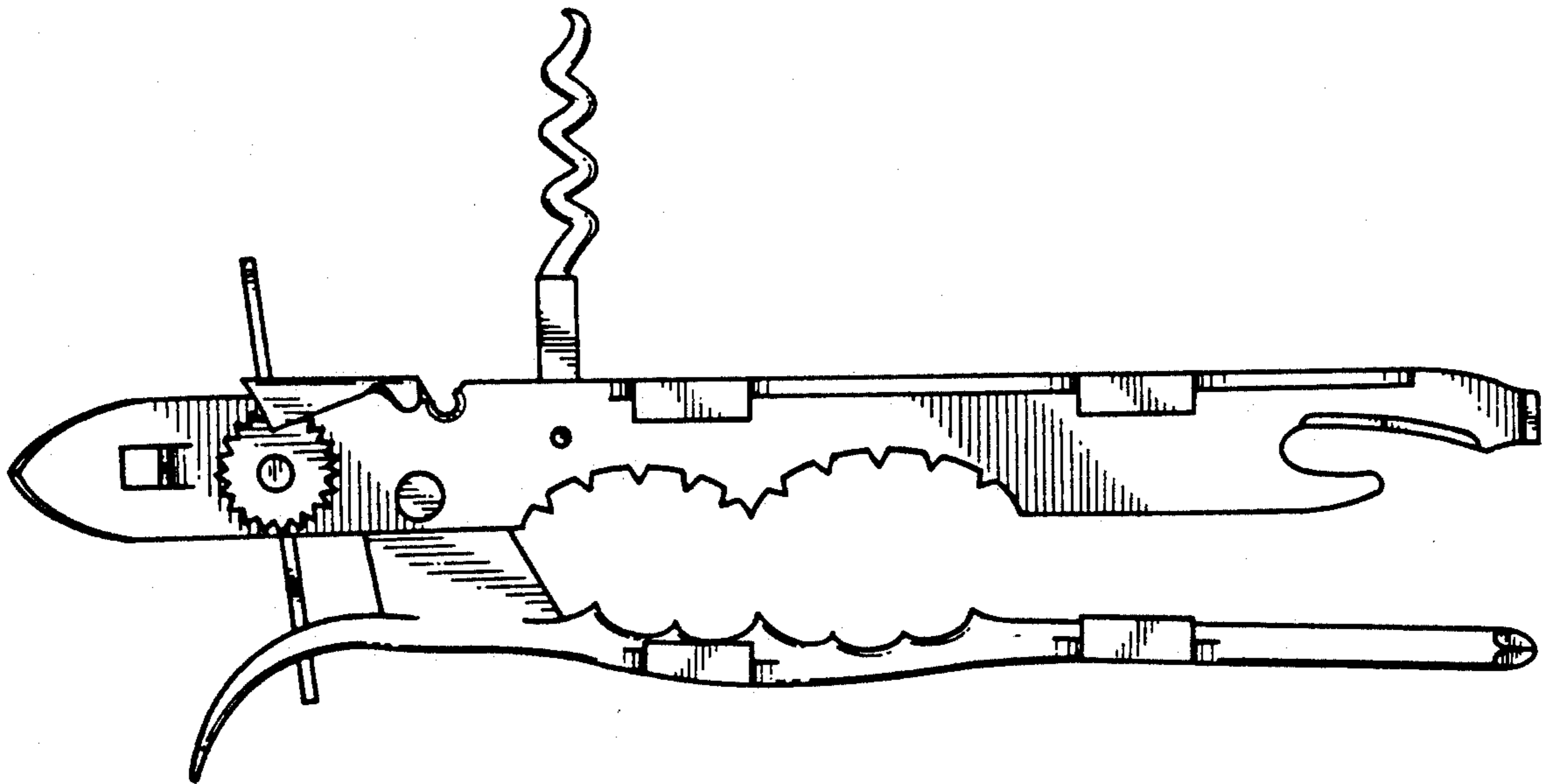
FIG. 3 is a front elevational view thereof;

FIG. 4 is a rear elevational view thereof;

FIG. 5 is a top plan view thereof;

FIG. 6 is a bottom plan view thereof; and,

FIG. 7 is a perspective view thereof.



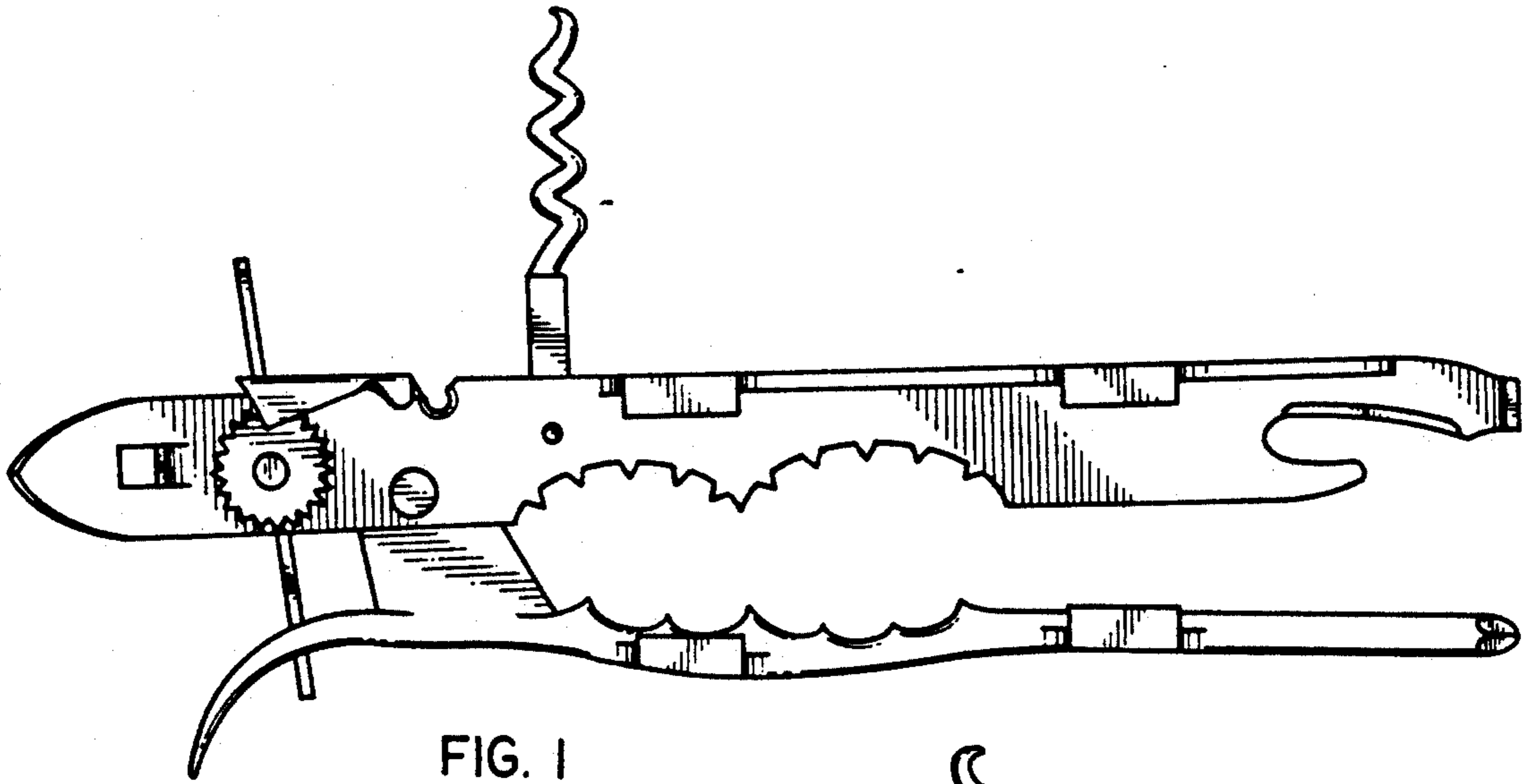


FIG. 1

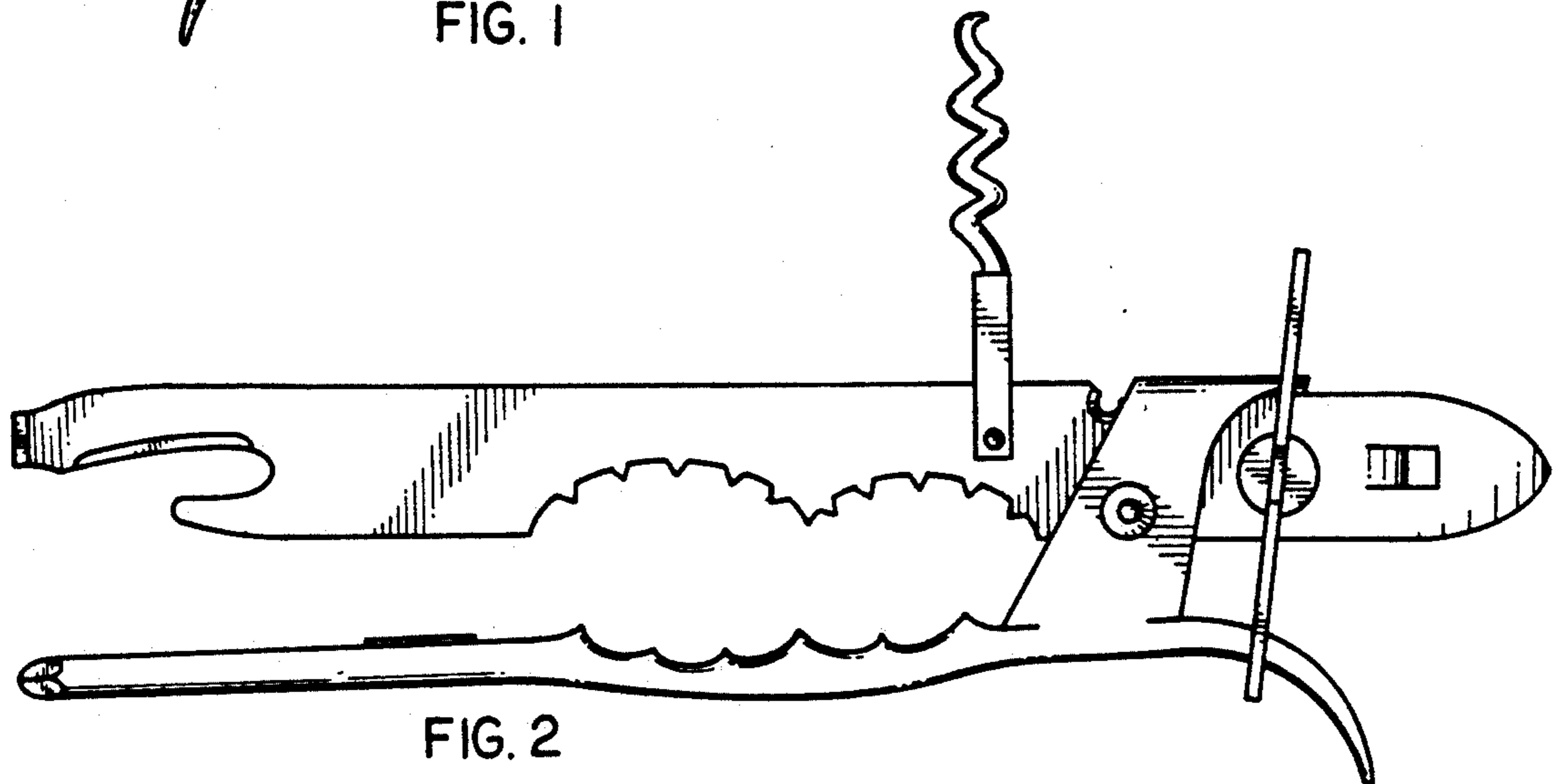


FIG. 2

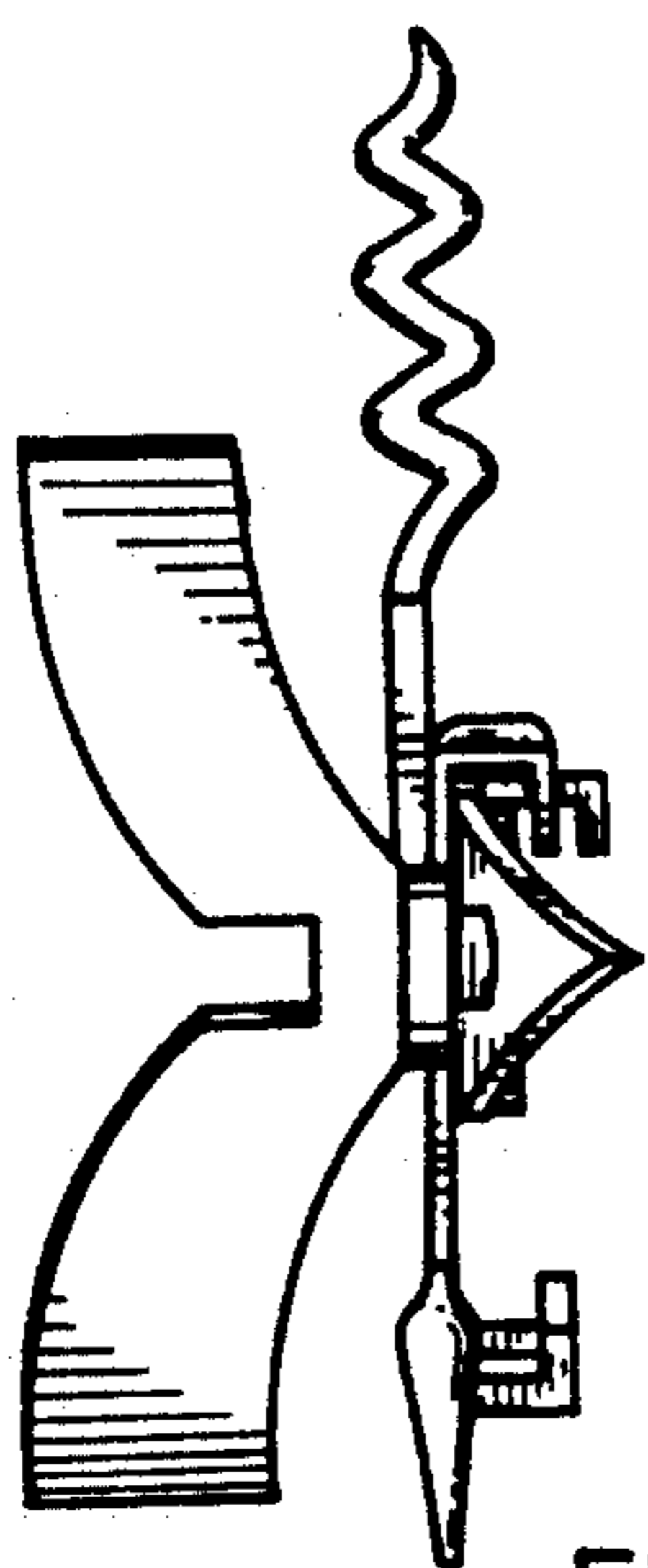


FIG. 3

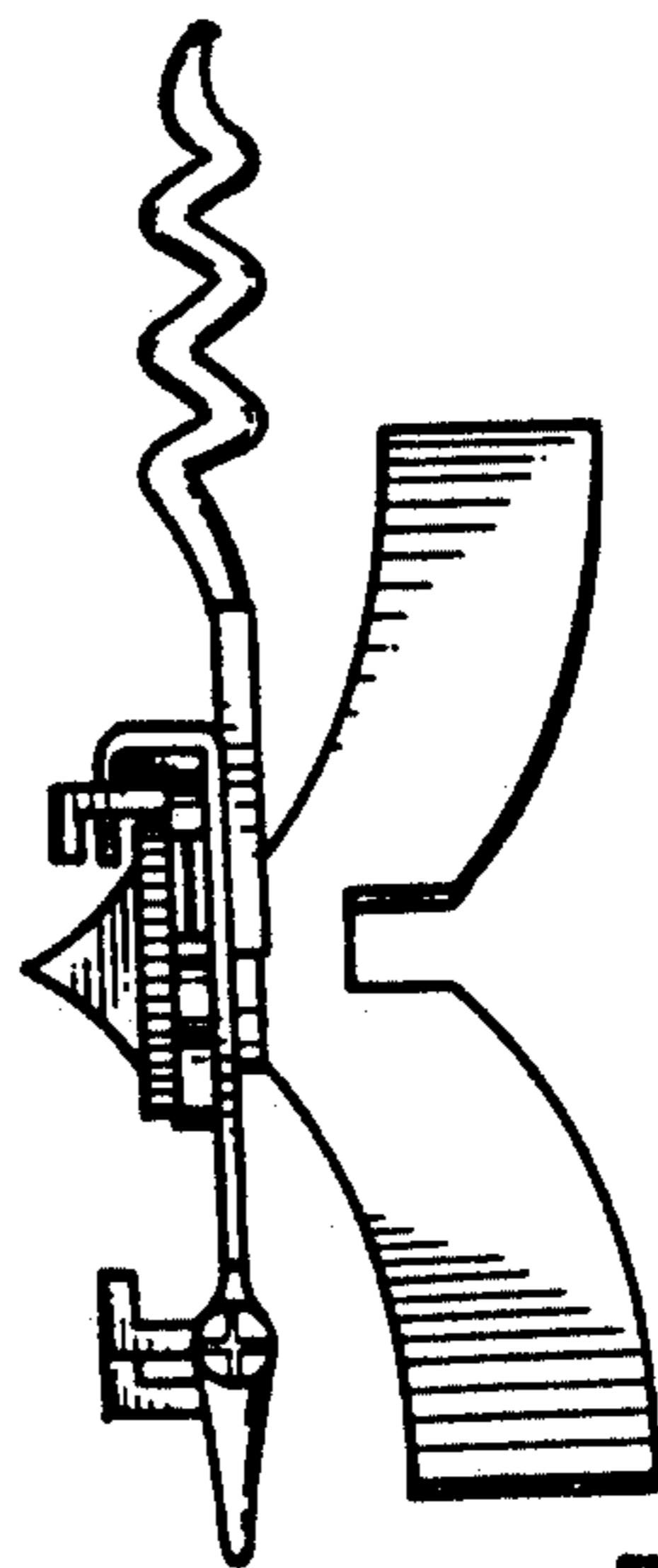


FIG. 4

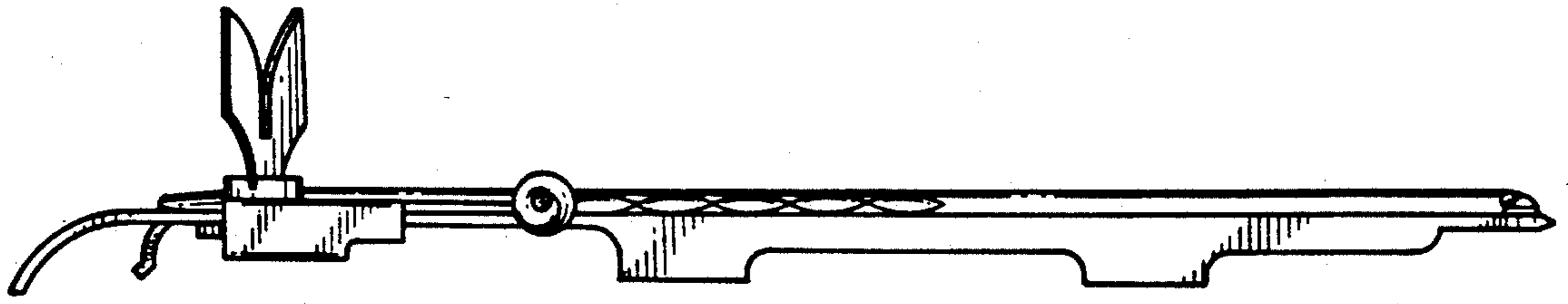


FIG. 5

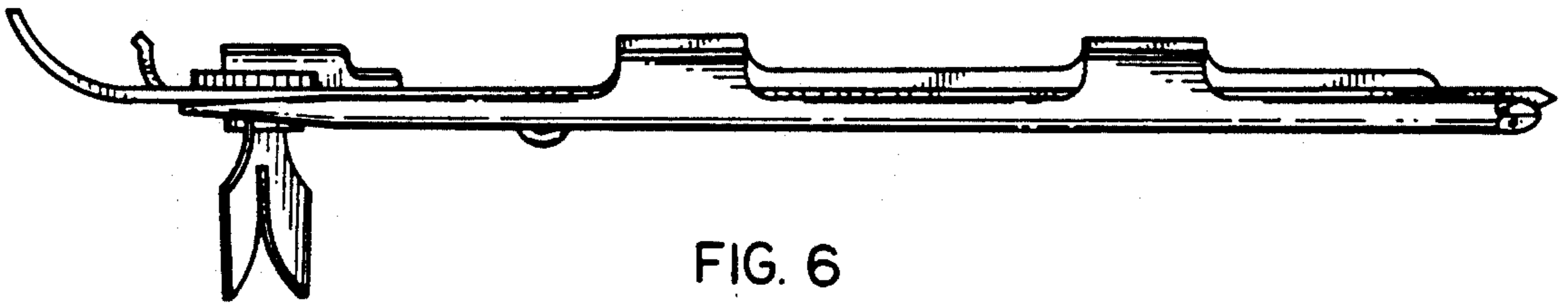


FIG. 6

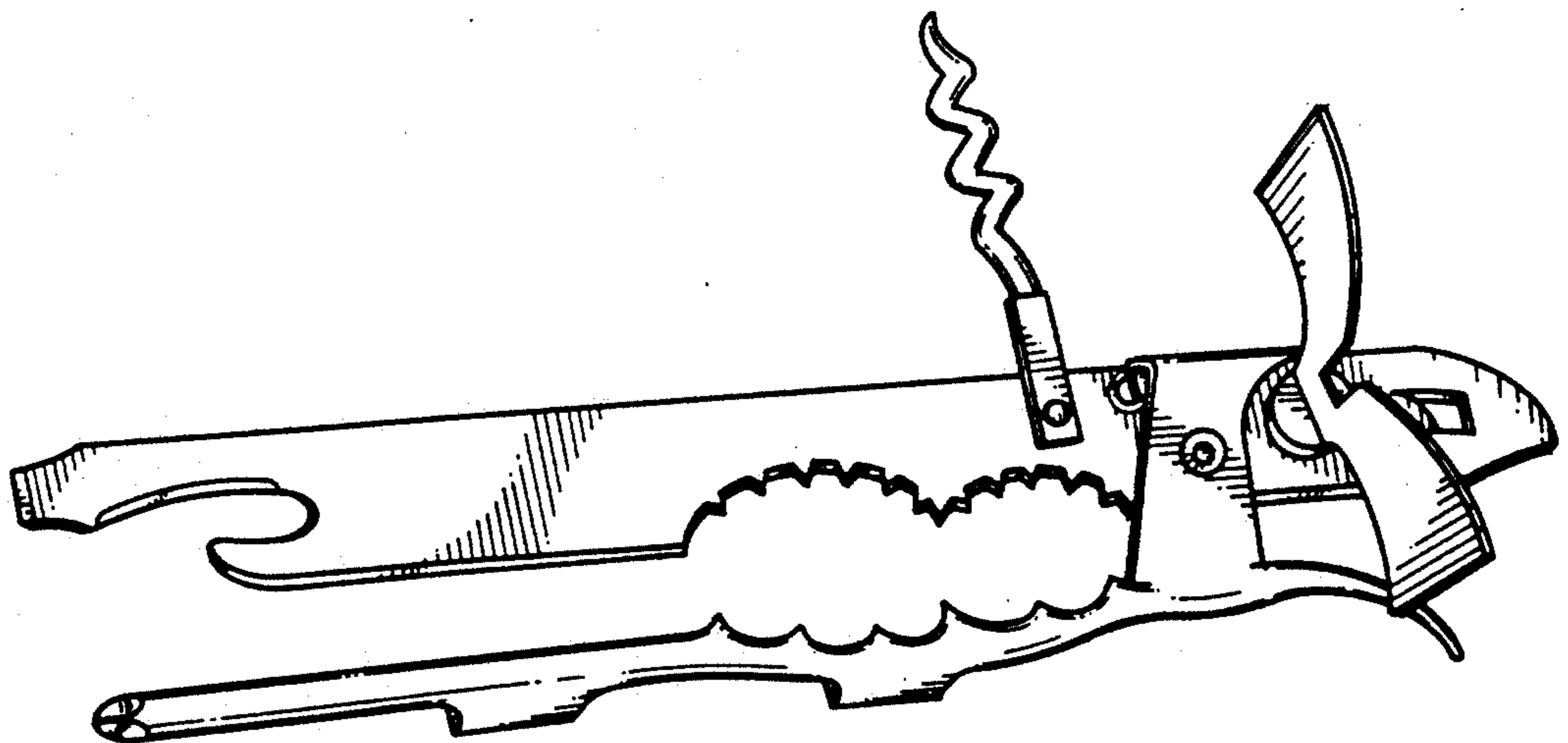


FIG. 7