



US00D339040S

United States Patent [19]

[11] Patent Number: **Des. 339,040**

Piecuch et al.

[45] Date of Patent: **** Sep. 7, 1993**

[54] **HEAD AND SHAFT FOR A COMBINATION TOOL**

[75] Inventors: **Robert M. Piecuch, Warsaw; Martin B. Sacks, Claypool, both of Ind.**

[73] Assignee: **Sun Metal Products, Inc., Warsaw, Ind.**

[**] Term: **14 Years**

[21] Appl. No.: **673,583**

[22] Filed: **Mar. 21, 1991**

[52] U.S. Cl. **D8/26**

[58] Field of Search **D8/21, 26, 105, 28; 7/138, 168; 81/119, 121.1, 124.2, 124.5, 125, 125.1, 176.1, 177.1, 177.2**

1,186,807	6/1916	Litomy	7/168
1,328,428	1/1920	Graham .	
1,369,829	3/1921	Minges	7/138
1,398,996	12/1921	Bardera	7/138
1,415,826	5/1922	Finkhousen	7/168
1,426,265	8/1922	Elenchuk	7/168
1,689,585	10/1928	Haschart	7/138
1,796,083	3/1931	Carlberg	7/138
3,276,299	10/1966	Halburian .	
3,416,395	12/1968	Hanson .	
4,291,425	9/1981	Sweitzer	7/100
4,774,736	10/1988	Brawer et al.	7/138
4,840,094	6/1989	Macor	81/177.85
4,856,387	8/1989	Gibson	81/124.4

Primary Examiner—Bernard Ansher
Assistant Examiner—Philip Hyder
Attorney, Agent, or Firm—Barnes & Thornburg

[56] **References Cited**

U.S. PATENT DOCUMENTS

D. 53,641	7/1919	Rosel	D8/29
D. 148,621	2/1948	Herman	D8/29
184,775	11/1876	Gray	7/138
D. 217,896	6/1970	Sexauer	D8/29
D. 218,140	7/1970	Johannsen	D8/29
D. 220,421	4/1971	Zutter	D8/29
D. 222,425	10/1971	Palfi	D8/29
D. 230,346	2/1974	Stitt, Jr.	D8/26
D. 235,188	5/1975	Palfi	D8/29
D. 238,546	1/1976	Cullinane	D8/29
D. 299,414	1/1989	Bajza et al.	D8/105
D. 304,899	12/1989	Liu	D8/105
D. 308,327	6/1990	Klippel	D8/29
D. 308,806	6/1990	Chieffo	D8/21
318,981	6/1885	Green	7/138
458,568	9/1891	Fuchs	7/138
519,550	5/1894	Riordan	7/138

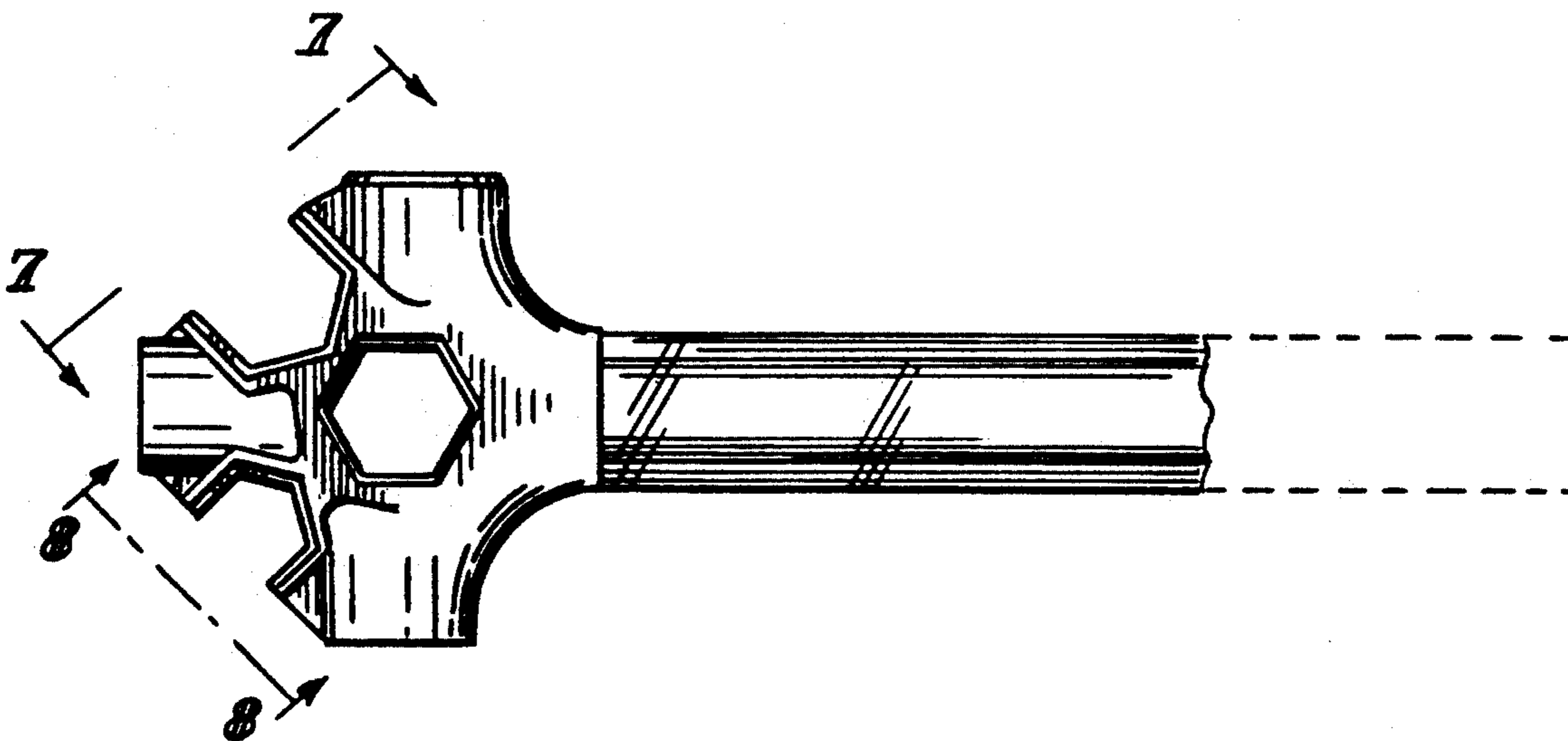
[57] **CLAIM**

The ornamental design for a head and shaft for a combination tool, as shown and described.

DESCRIPTION

FIG. 1 is a top plan view of a head and shaft for a combination tool showing our new design; FIG. 2 is a bottom plan view thereof; FIG. 3 is a front elevational view thereof; FIG. 4 is a rear elevational view thereof; FIG. 5 is a left side elevational view of FIG. 1; FIG. 6 is a right side elevational view of FIG. 1; FIG. 7 is a partial elevational view, taken along line 8—8 of FIG. 1; and, FIG. 8 is a partial elevational view, taken along line 7—7 of FIG. 1.

The broken line portions of the drawing are for illustrative purposes only and form no part of the claimed designed.



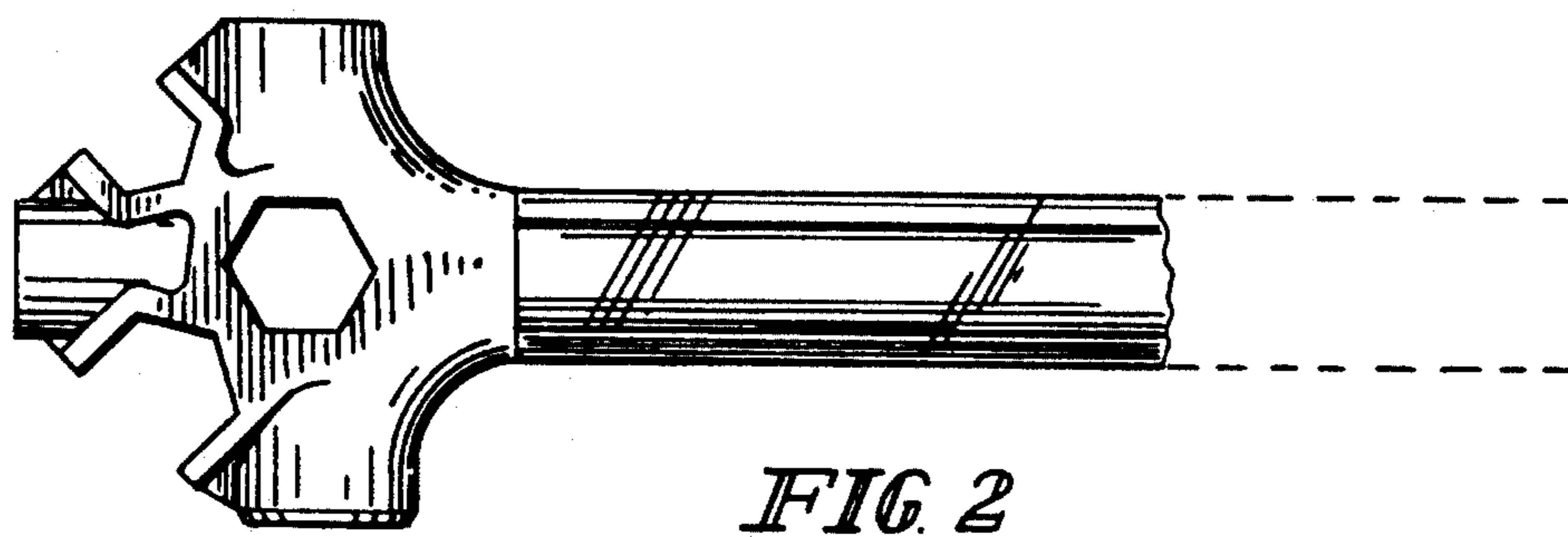
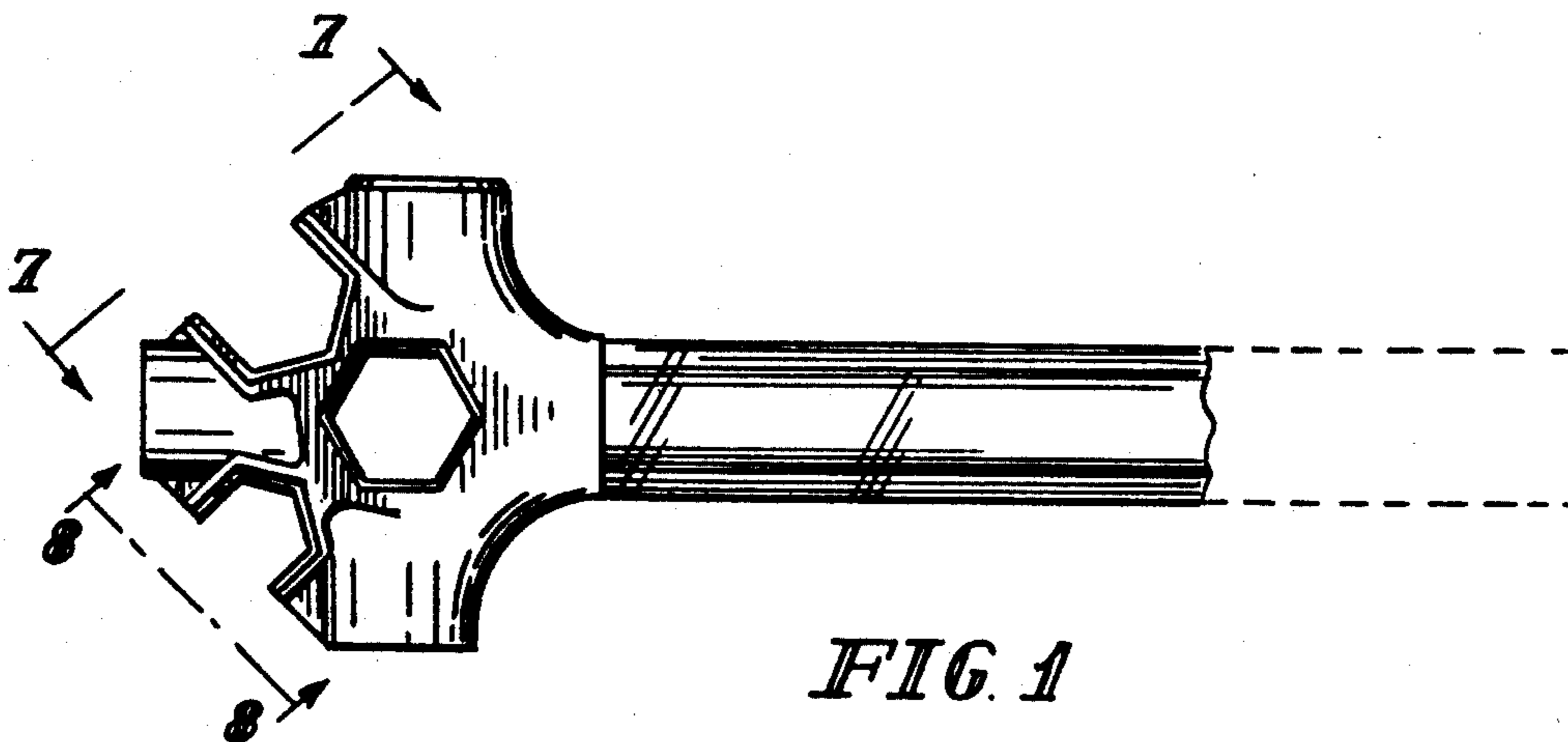


FIG. 5



FIG. 6

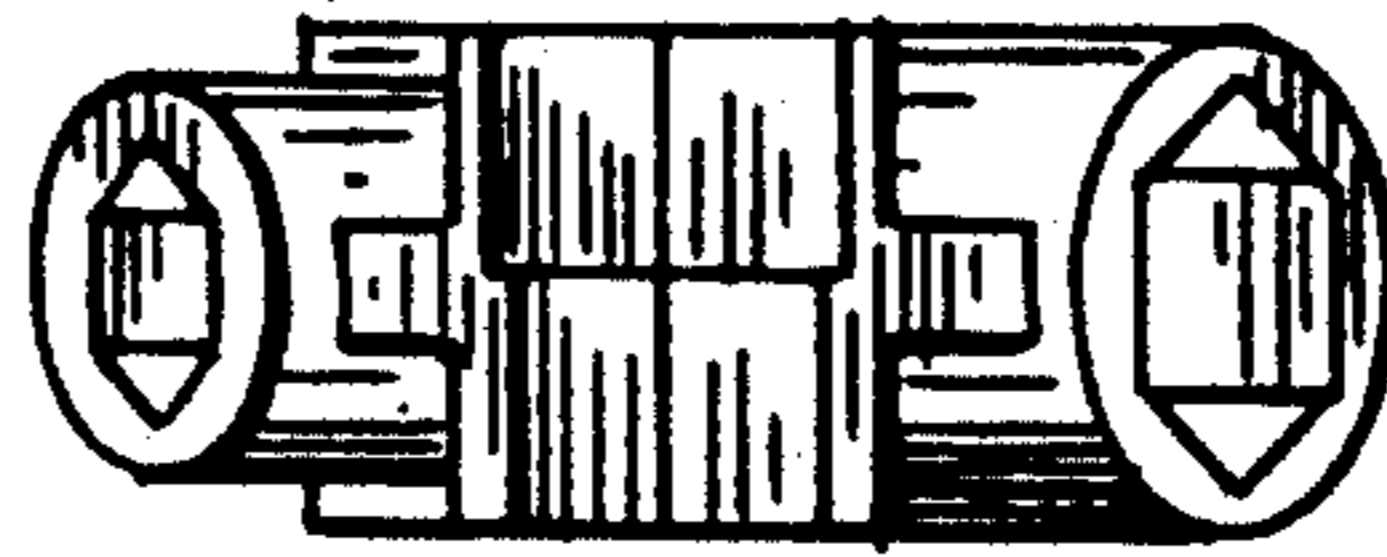


FIG. 7

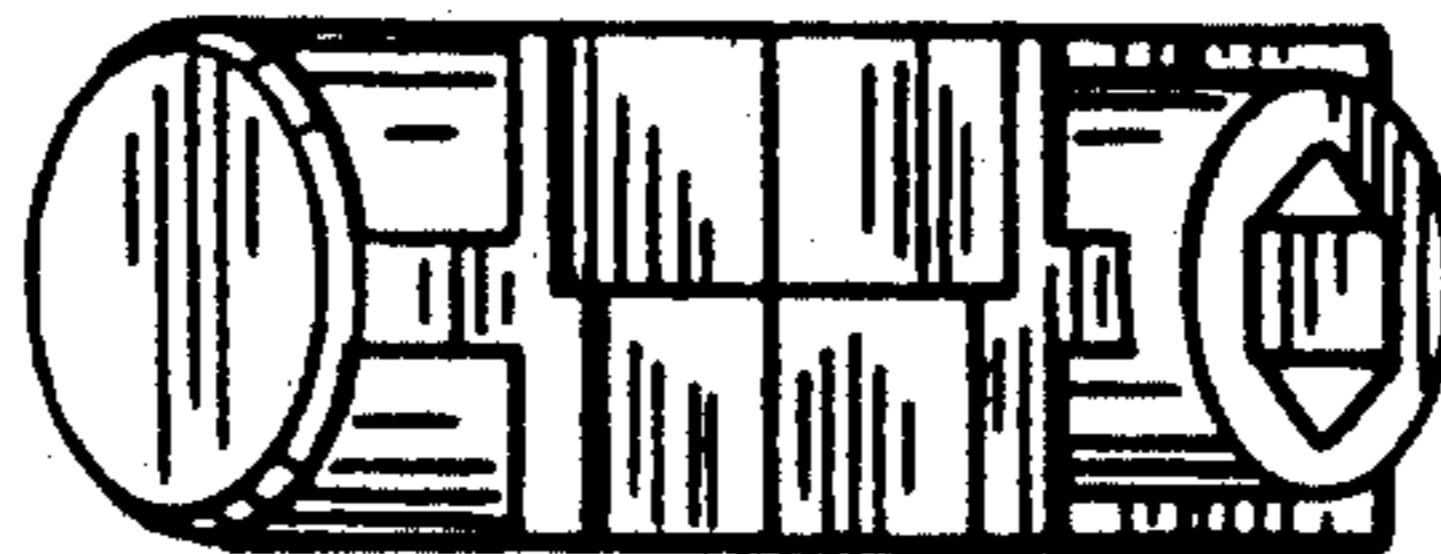


FIG. 8