



US00D339037S

United States Patent [19]

[11] Patent Number: **Des. 339,037**

Gianpiero

[45] Date of Patent: **** Sep. 7, 1993**

[54] **SELF-CLEANING GARLIC SQUEEZER**

2,776,616 1/1957 Sarossy 100/234
5,101,720 4/1992 Bianchi D7/666 X

[75] Inventor: **Pedrini Gianpiero, Brescia, Italy**

[73] Assignee: **Pedrini P.P.L. S.p.A., Concesio, Italy**

Primary Examiner—Terry A. Pfeffer Wallace
Attorney, Agent, or Firm—Helfgott & Karas

[**] Term: **14 Years**

[57] **CLAIM**

[21] Appl. No.: **740,037**

The ornamental design for a self-cleaning garlic squeezer, as shown and described.

[22] Filed: **Jul. 31, 1991**

[30] **Foreign Application Priority Data**

DESCRIPTION

Jun. 27, 1991 [IT] Italy T0910000148

FIG. 1 is a right side elevational view of the self-cleaning garlic squeezer showing my new design;
FIG. 2 is a left side elevational view thereof;
FIG. 3 is a top plan view thereof;
FIG. 4 is a bottom plan view thereof;
FIG. 5 is a rear elevational view thereof;
FIG. 6 is a front elevational view thereof; and,
FIG. 7 is a left side elevational view thereof in an open position.

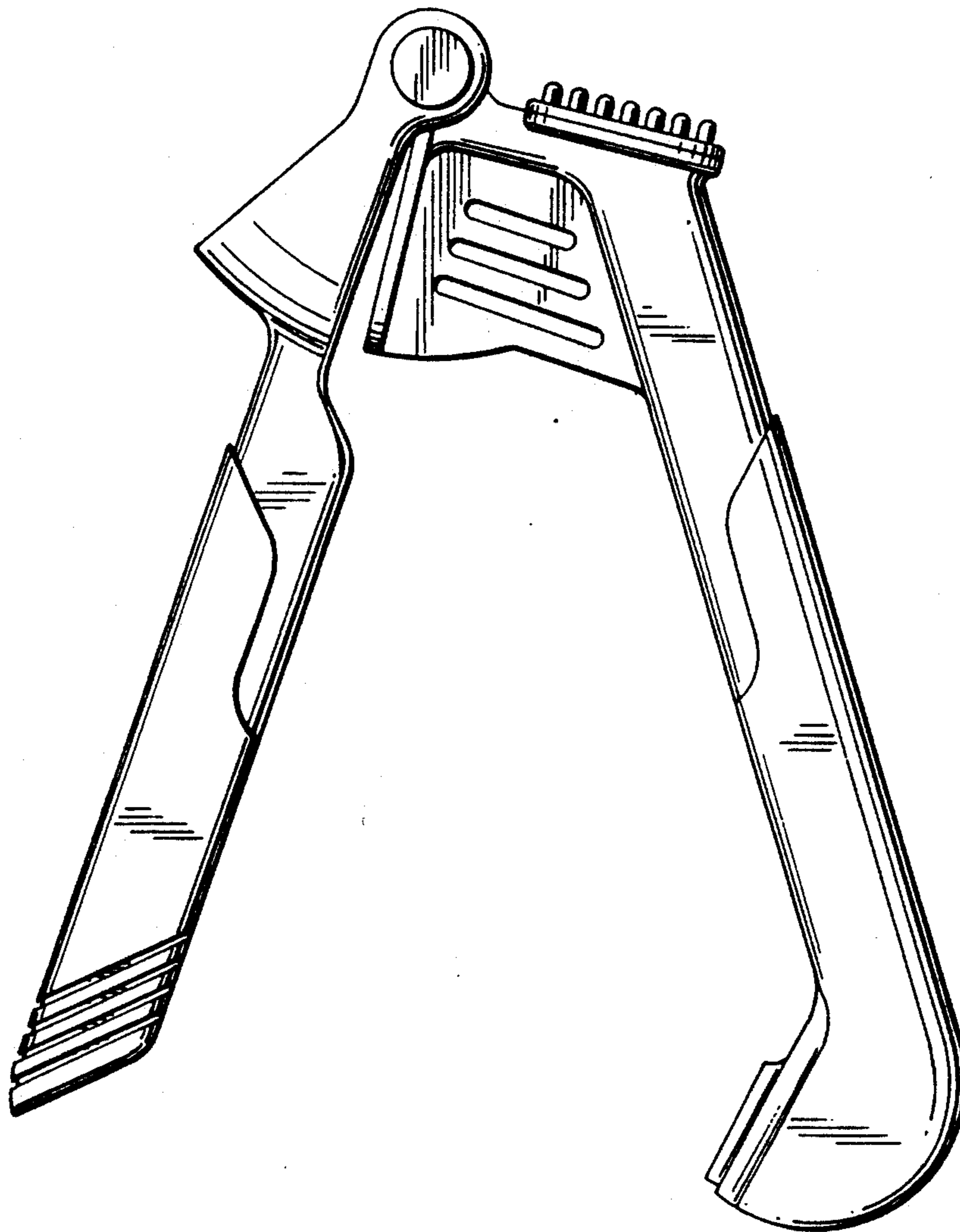
[52] U.S. Cl. **D7/666**

[58] Field of Search D7/665, 666; 99/495, 99/506, 508; 100/112, 125, 234, 243

[56] **References Cited**

U.S. PATENT DOCUMENTS

D. 293,757 1/1988 Pedrini D7/666



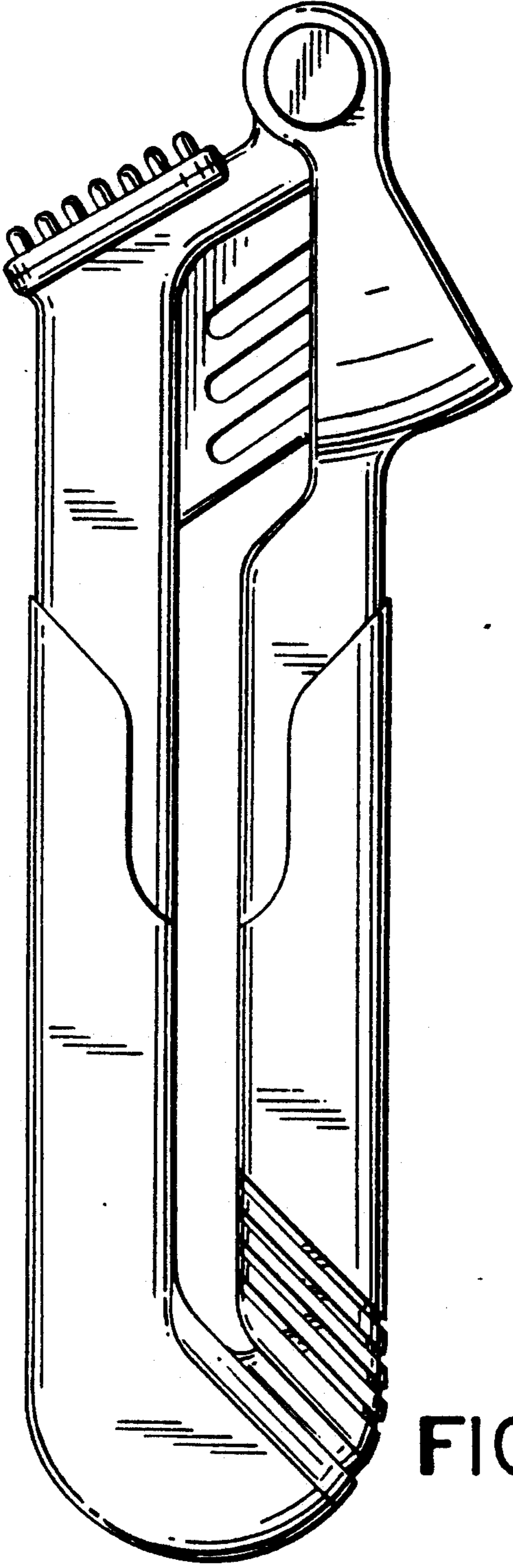


FIG. 1

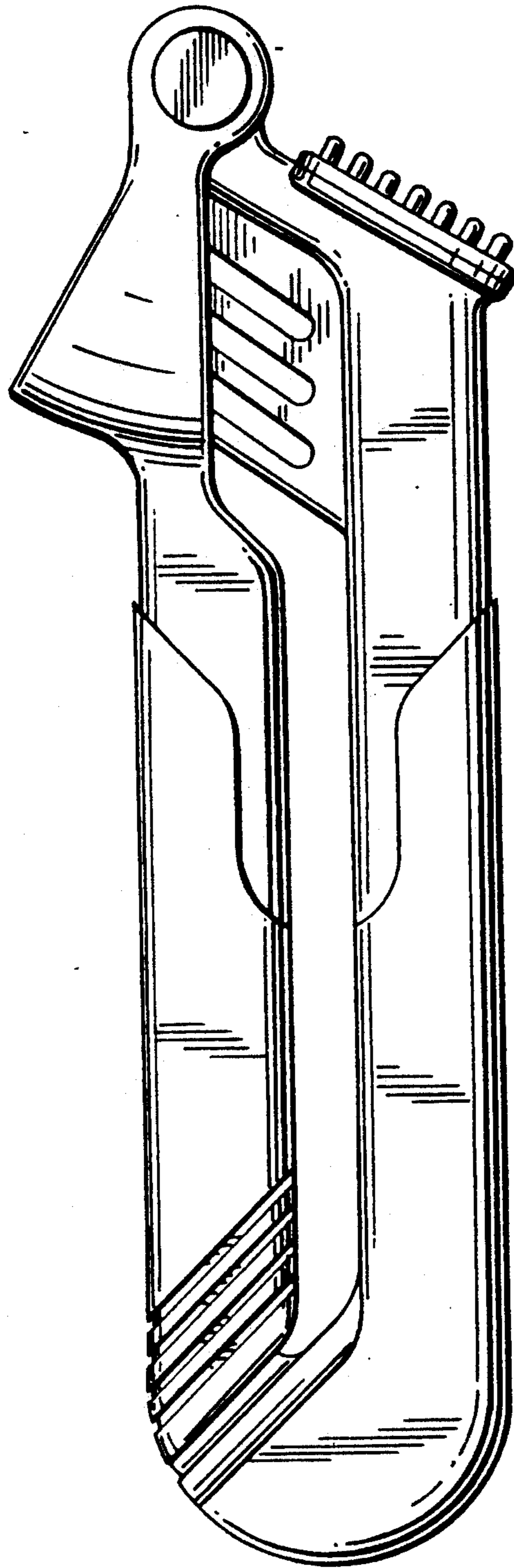


FIG.2

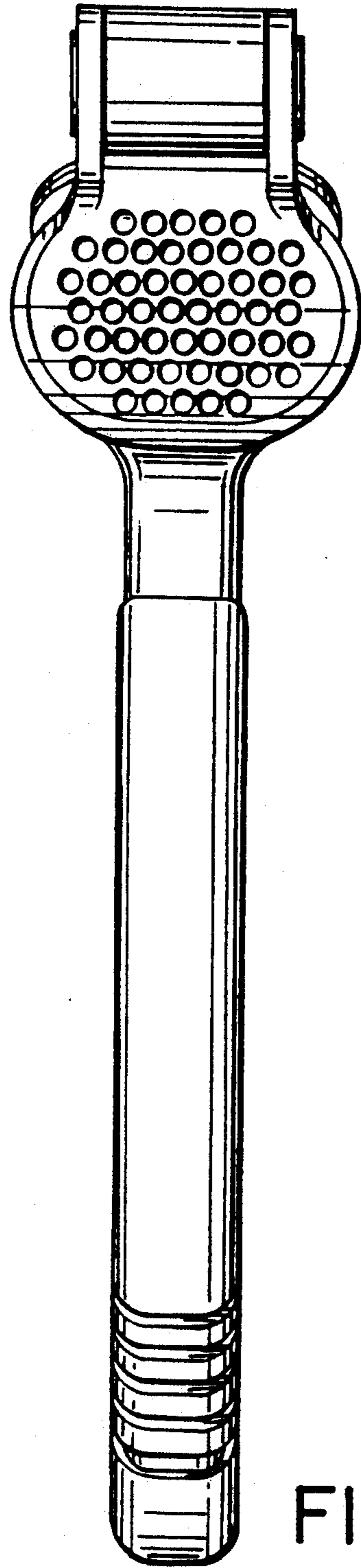


FIG.3

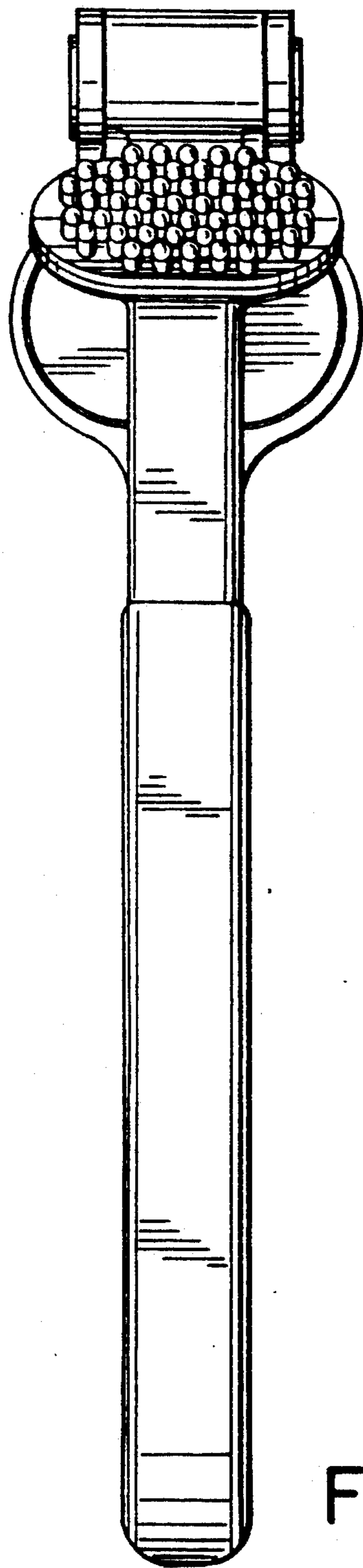


FIG.4

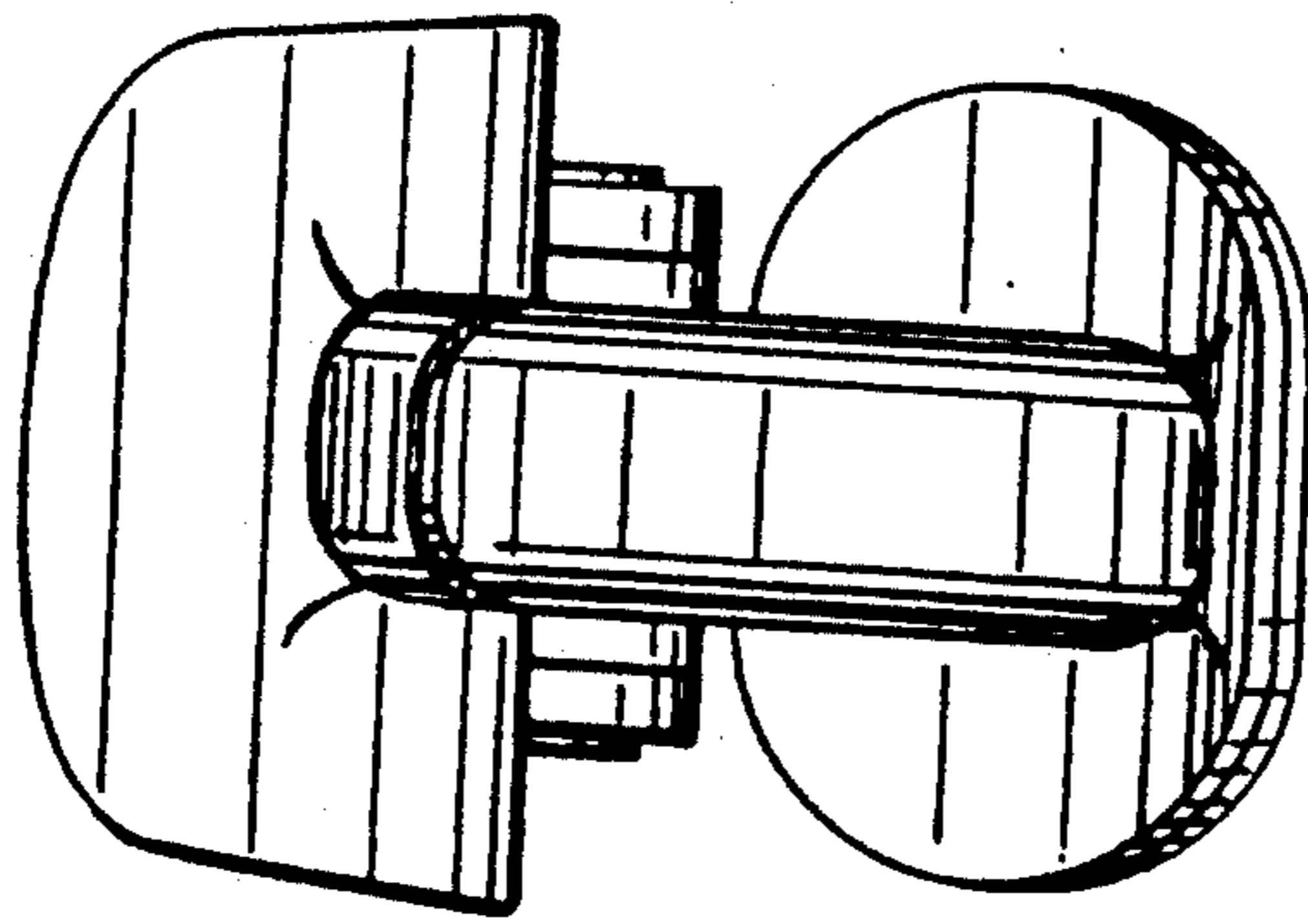


FIG. 5

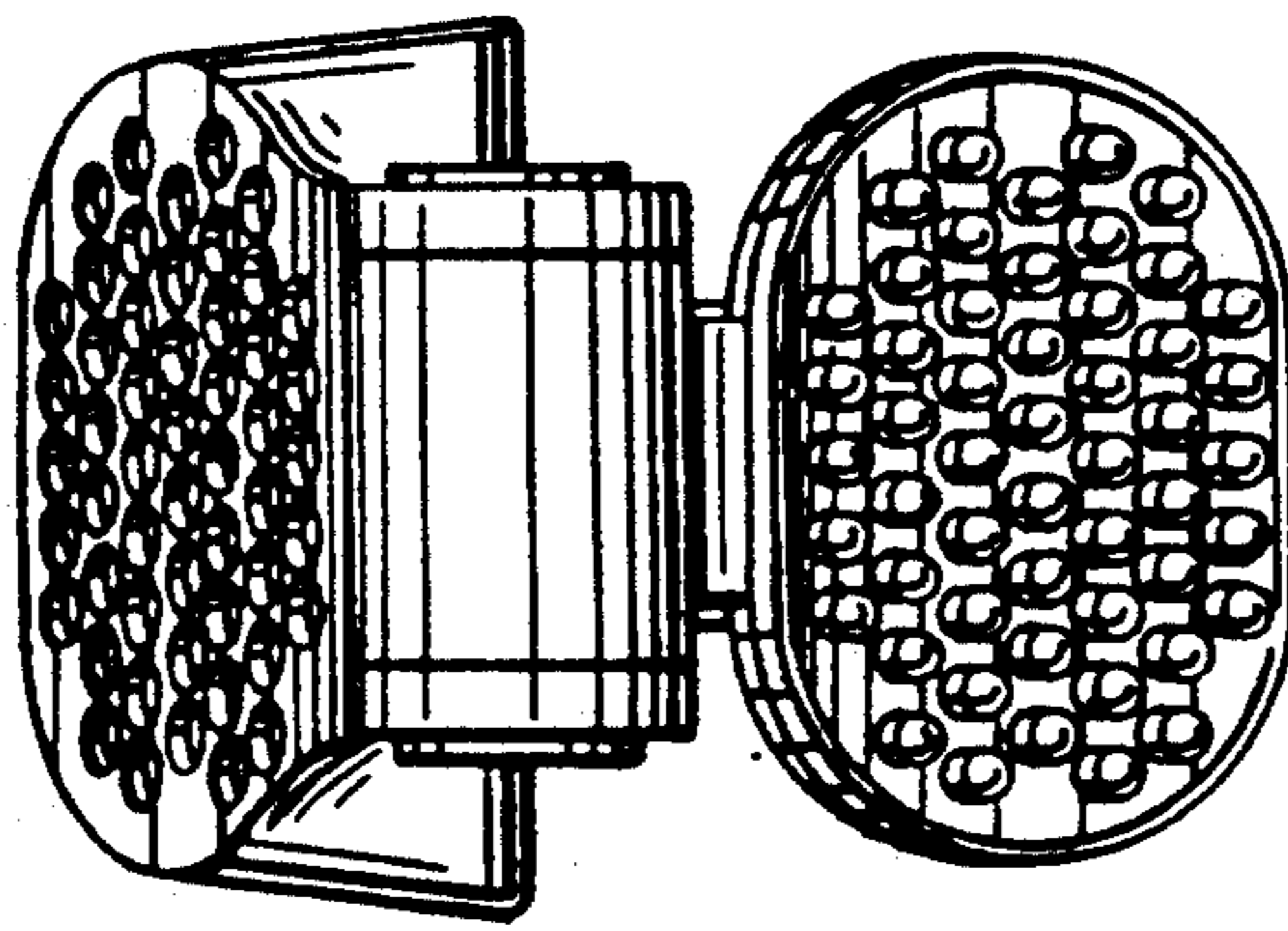


FIG.6

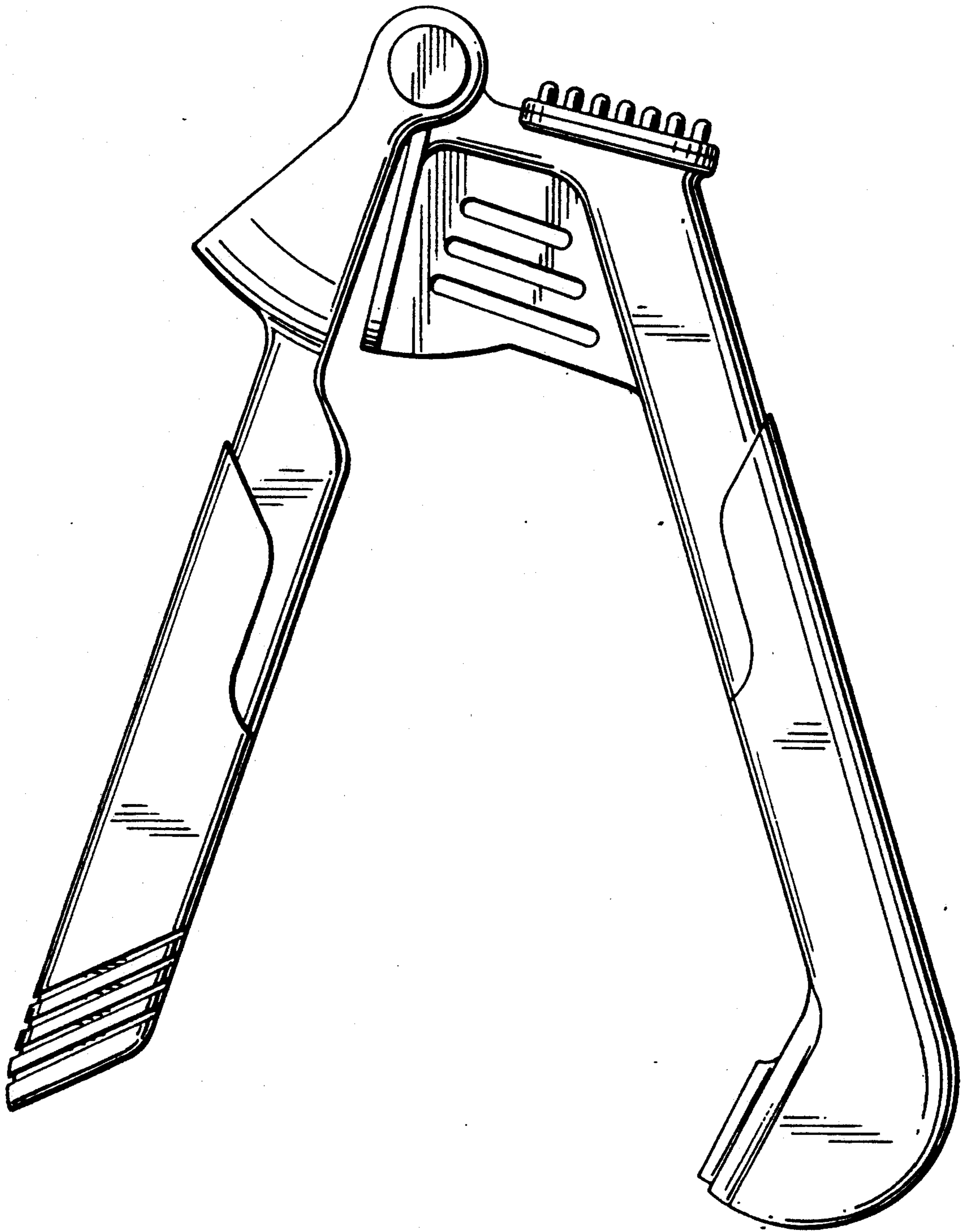


FIG.7