



US00D339030S

United States Patent [19]

[11] Patent Number: **Des. 339,030**

Bitel, Sr.

[45] Date of Patent: **** Sep. 7, 1993**

[54] **STACKING DISH**

D. 269,930	8/1983	Powers	D7/555
2,231,223	2/1941	Page	229/2.5
3,107,027	10/1963	Hong	229/2.5

[75] Inventor: **Vincent J. Bitel, Sr., Rockfall, Conn.**

[73] Assignee: **Design Specialties, Inc., Wallingford, Conn.**

Primary Examiner—Alan P. Douglas
Assistant Examiner—Caron D. Veynar

[**] Term: **14 Years**

[57] **CLAIM**

[21] Appl. No.: **566,167**

The ornamental design for a stacking dish, as shown.

[22] Filed: **Aug. 13, 1990**

DESCRIPTION

[52] U.S. Cl. **D7/549; D7/553; D7/555**

FIG. 1 is a perspective view of a stacking dish showing my new design;

[58] Field of Search **D7/540, 541, 546, 549, D7/550, 553, 555, 543; 229/2.5, 904; D9/347**

FIG. 2 is a top plan view thereof drawn to an enlarged scale;

[56] **References Cited**

FIG. 3 is a bottom plan view thereof drawn to the same scale as in FIG. 2;

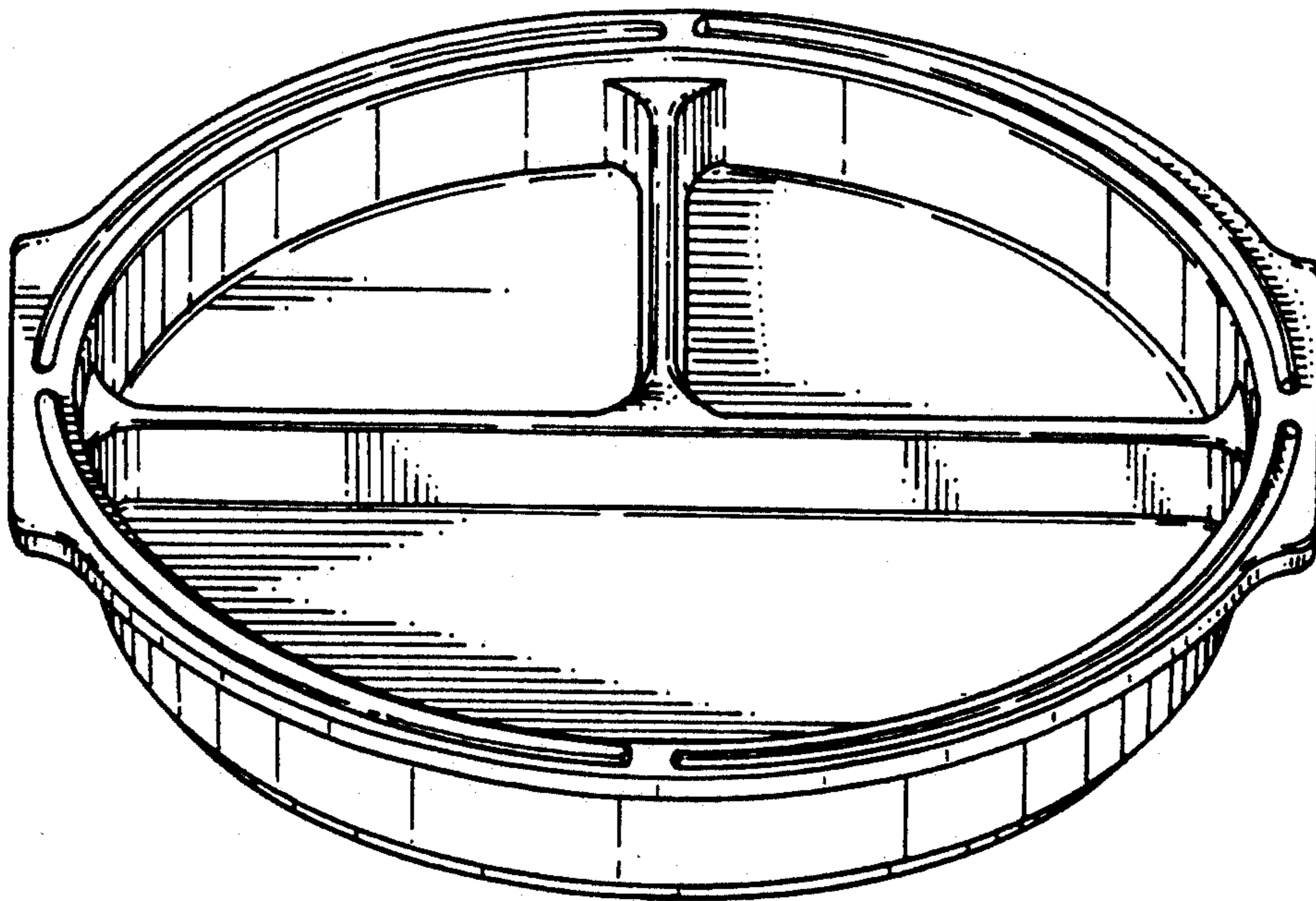
U.S. PATENT DOCUMENTS

71,115	11/1867	Andrews	D7/555 X
D. 145,711	10/1946	Davis	D7/544
D. 188,502	8/1960	Metzler et al.	D7/555
D. 246,275	11/1977	Wiley	D7/549

FIG. 4 is a front elevational view thereof;

FIG. 5 is a fragmentary sectional view along the line 5—5 of FIG. 2; and,

FIG. 6 is a fragmentary sectional view along the line 6—6 of FIG. 2.



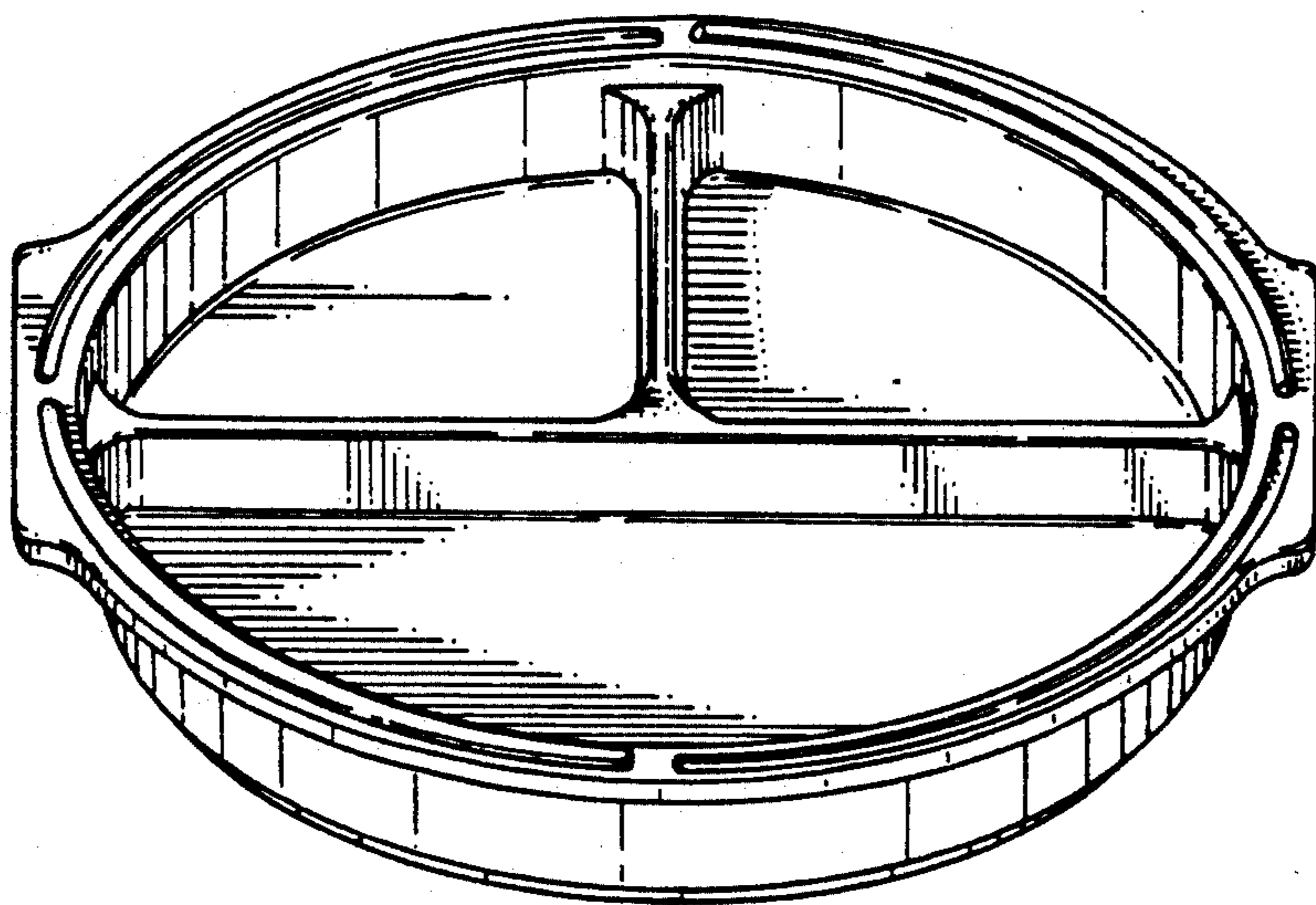


FIG. 1

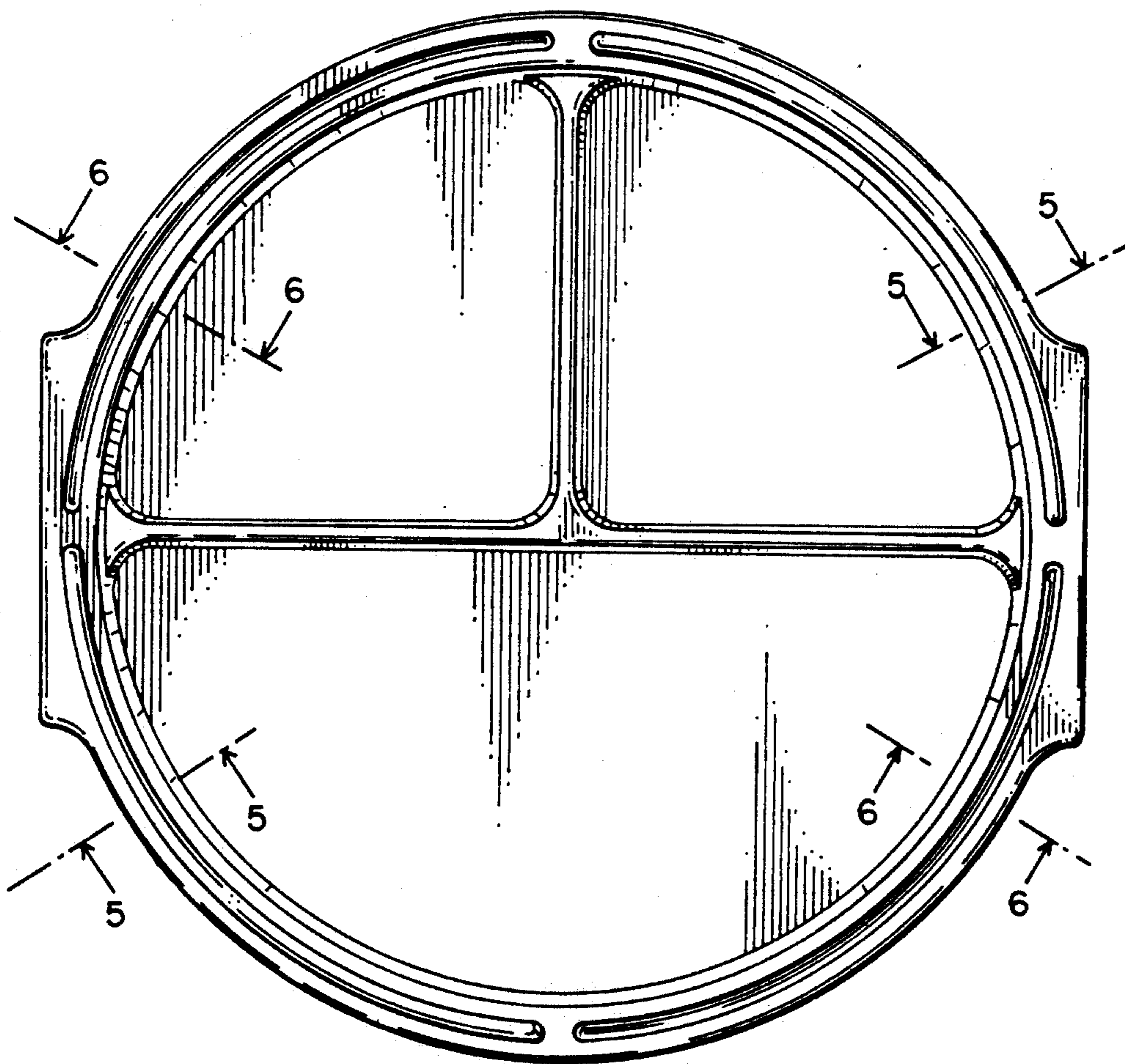


FIG. 2

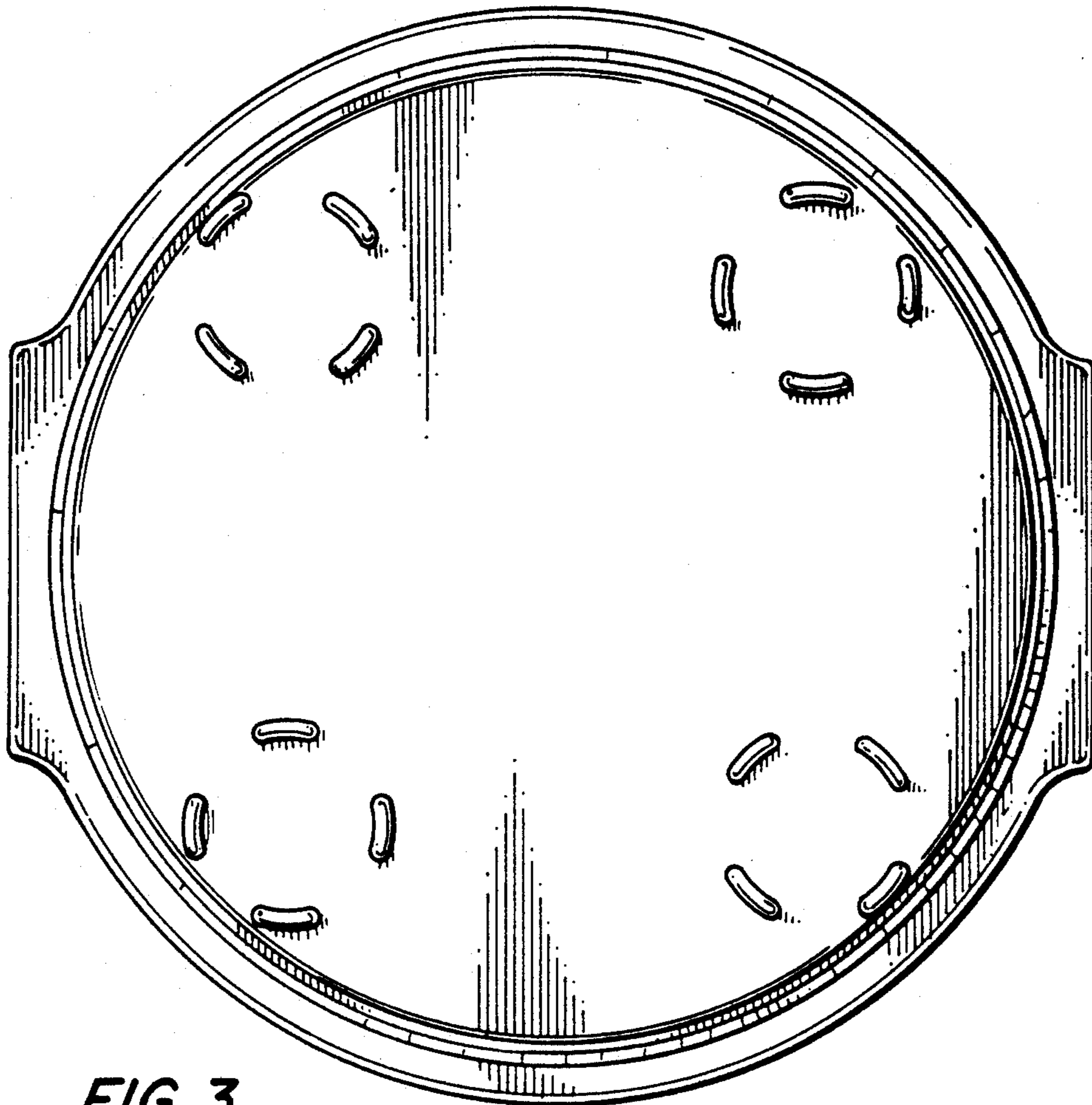


FIG. 3

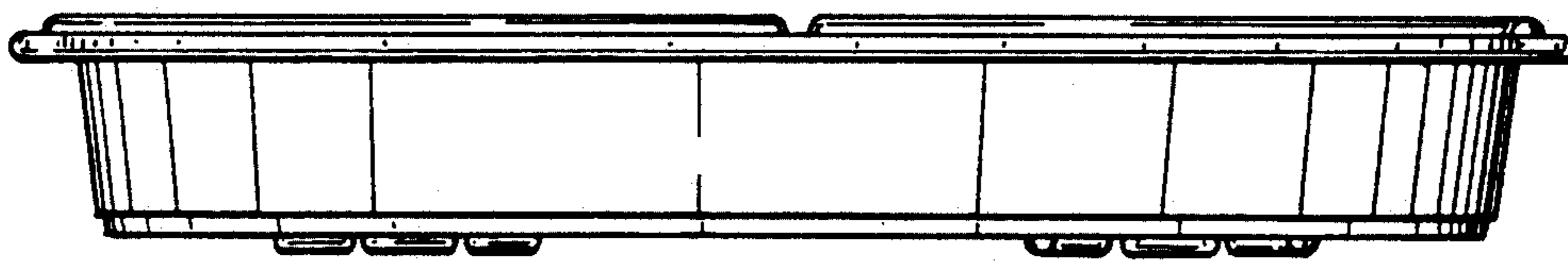


FIG. 4

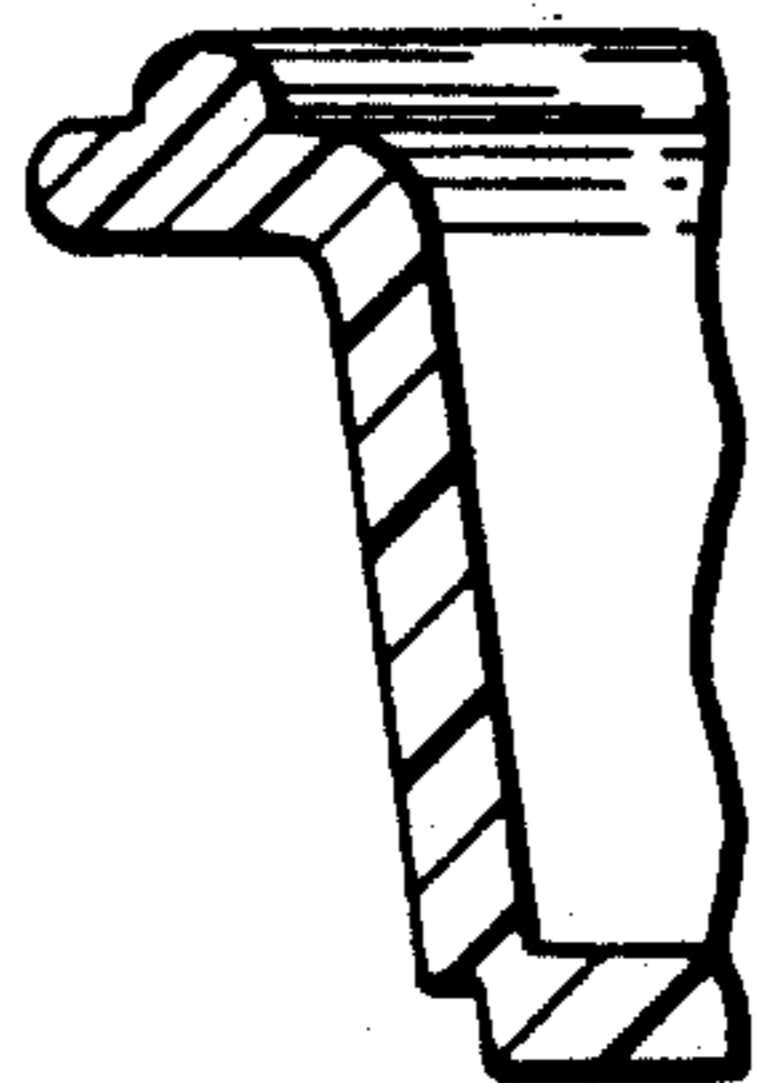


FIG. 5

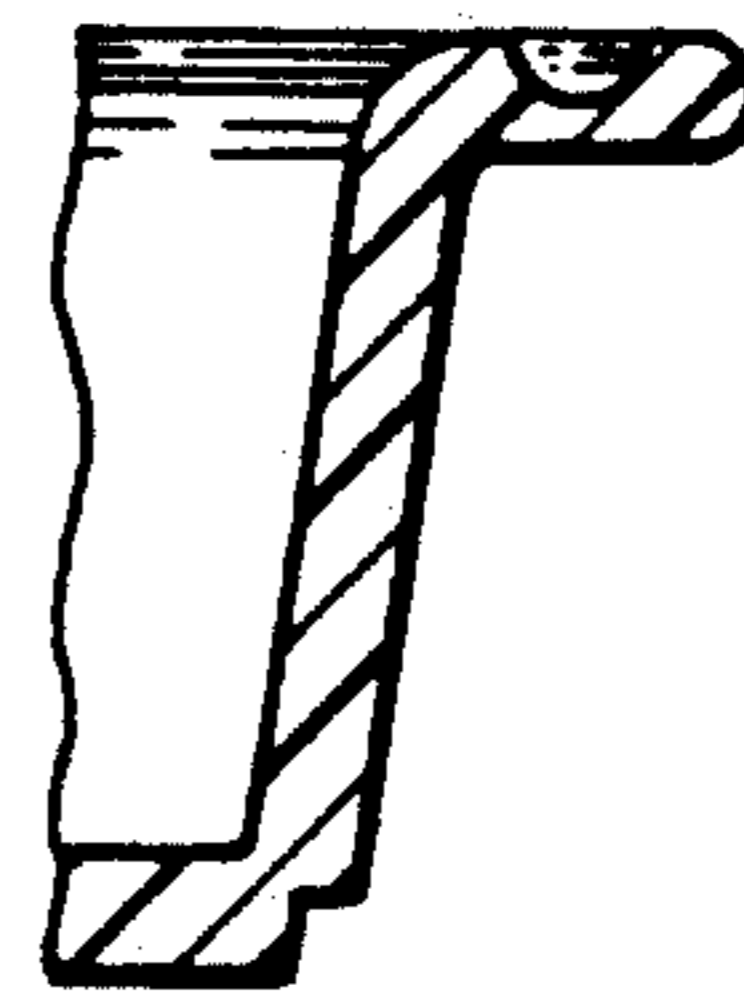


FIG. 6