



US00D339029S

# United States Patent [19]

Schaeppi

[11] Patent Number: **Des. 339,029**

[45] Date of Patent: **\*\* Sep. 7, 1993**

[54] **BEVERAGE MUG**

[76] Inventor: **Thomas J. Schaeppi, 5650 Juneau La. North, Plymouth, Minn. 55446**

[\*\*] Term: **14 Years**

[21] Appl. No.: **822,566**

[22] Filed: **Jan. 16, 1992**

[52] U.S. Cl. .... **D7/536; D7/533**

[58] Field of Search ..... **D7/507, 509, 510, 511, D7/512, 518, 521, 533, 536, 300, 598, 312, 316, 317, 334, 535, 531; 220/672, 771, 755, 737, 769, 401; 215/12.1**

3,101,857 8/1963 Freedman ..... 220/737 X  
4,582,218 4/1986 Ross .  
4,923,086 5/1990 Mahon et al. .... 220/401

### OTHER PUBLICATIONS

Don Schreckongost's "Classic" cup (1980), Industrial Design May/Jun. 1985 p. 25.

*Primary Examiner*—Alan P. Douglas

*Assistant Examiner*—M. N. Pandozzi

*Attorney, Agent, or Firm*—Palmatier, Sjoquist & Helget

[57] **CLAIM**

The ornamental design for a beverage mug, as shown.

### DESCRIPTION

FIG. 1 is a perspective view of the beverage mug invention;

FIG. 2 is a front elevational view of the mug;

FIG. 3 is a right side elevational view of the mug;

FIG. 4 is a left side elevational view of the mug;

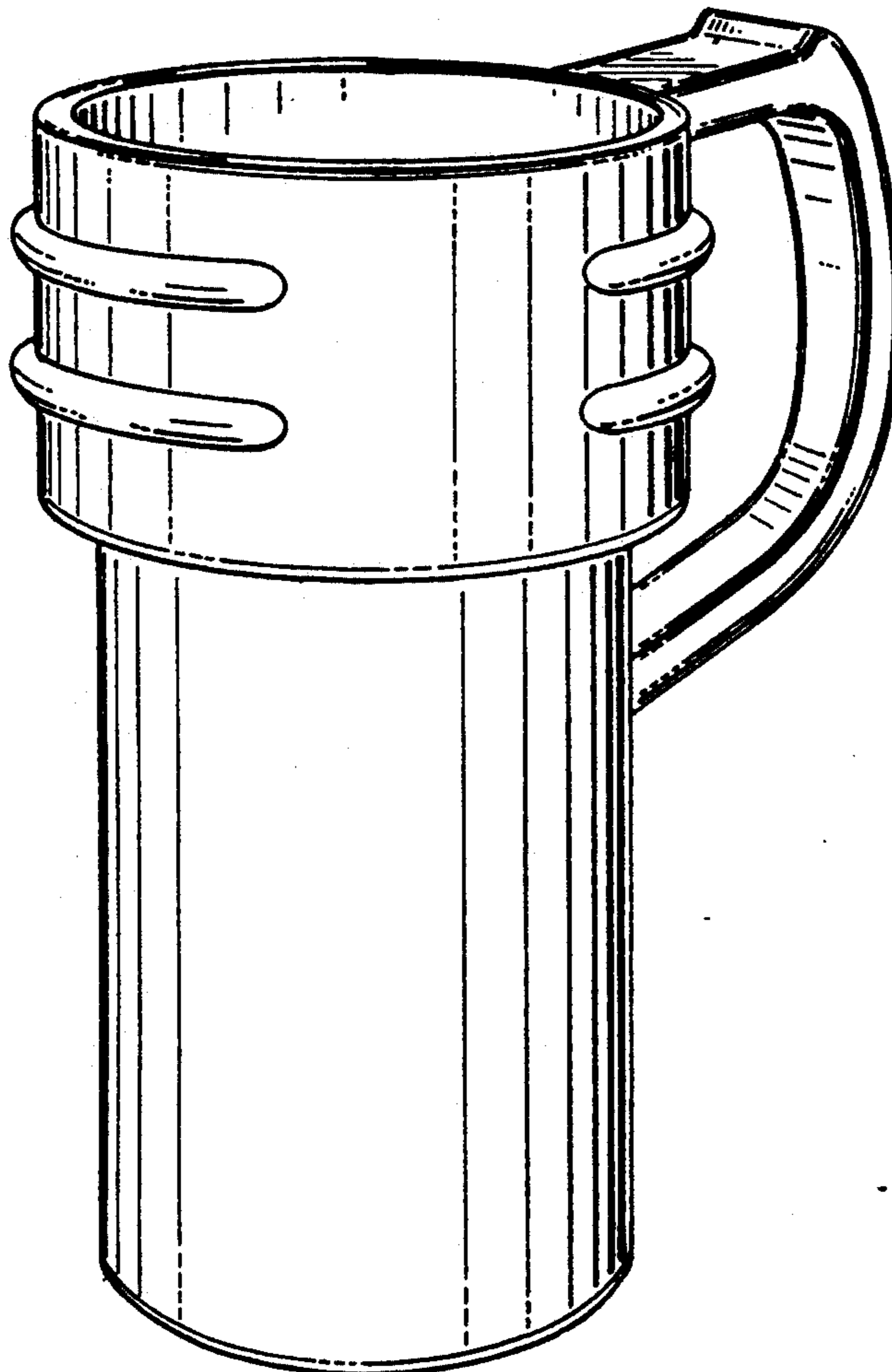
FIG. 5 is a top plan view of the mug; and,

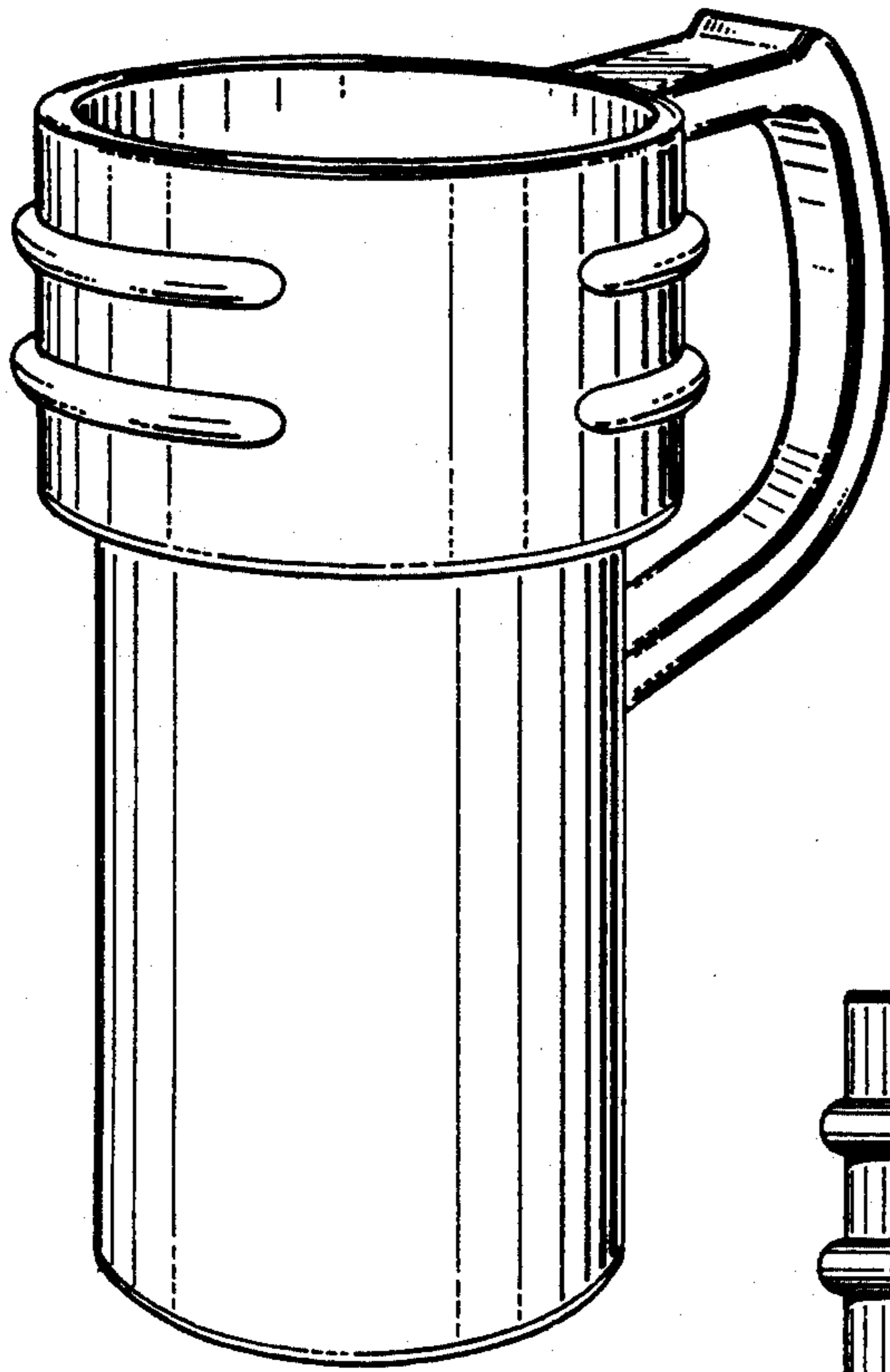
FIG. 6 is a bottom view of the mug.

[56] **References Cited**

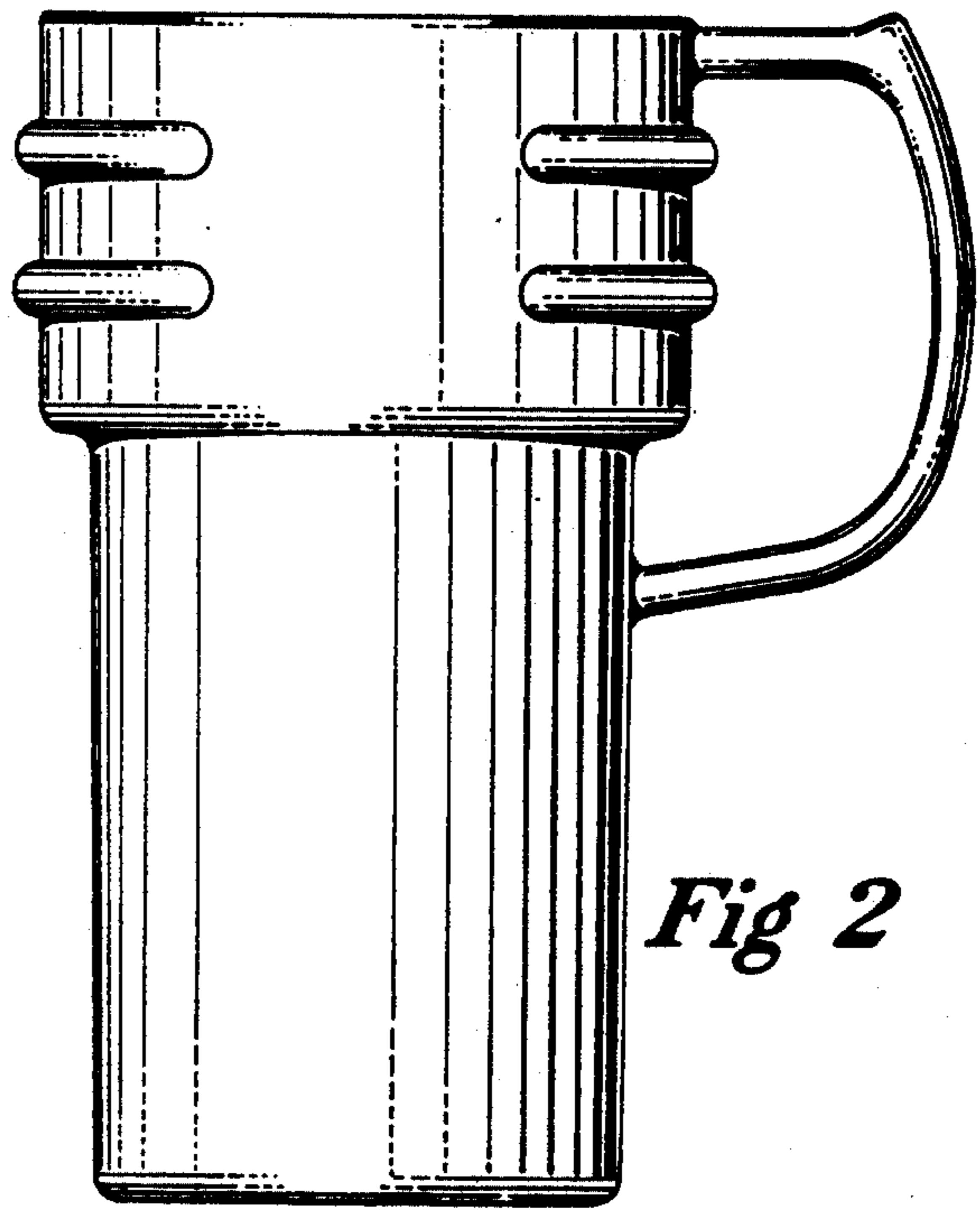
#### U.S. PATENT DOCUMENTS

D. 294,100	2/1988	Ross	.....	D7/511
D. 314,309	2/1991	Thorp	.....	D7/331 X
695,093	3/1902	Crampton	.....	220/771 X
1,118,794	11/1914	O'Mara	.....	220/771 X
1,179,856	4/1916	McLeod	.....	220/769

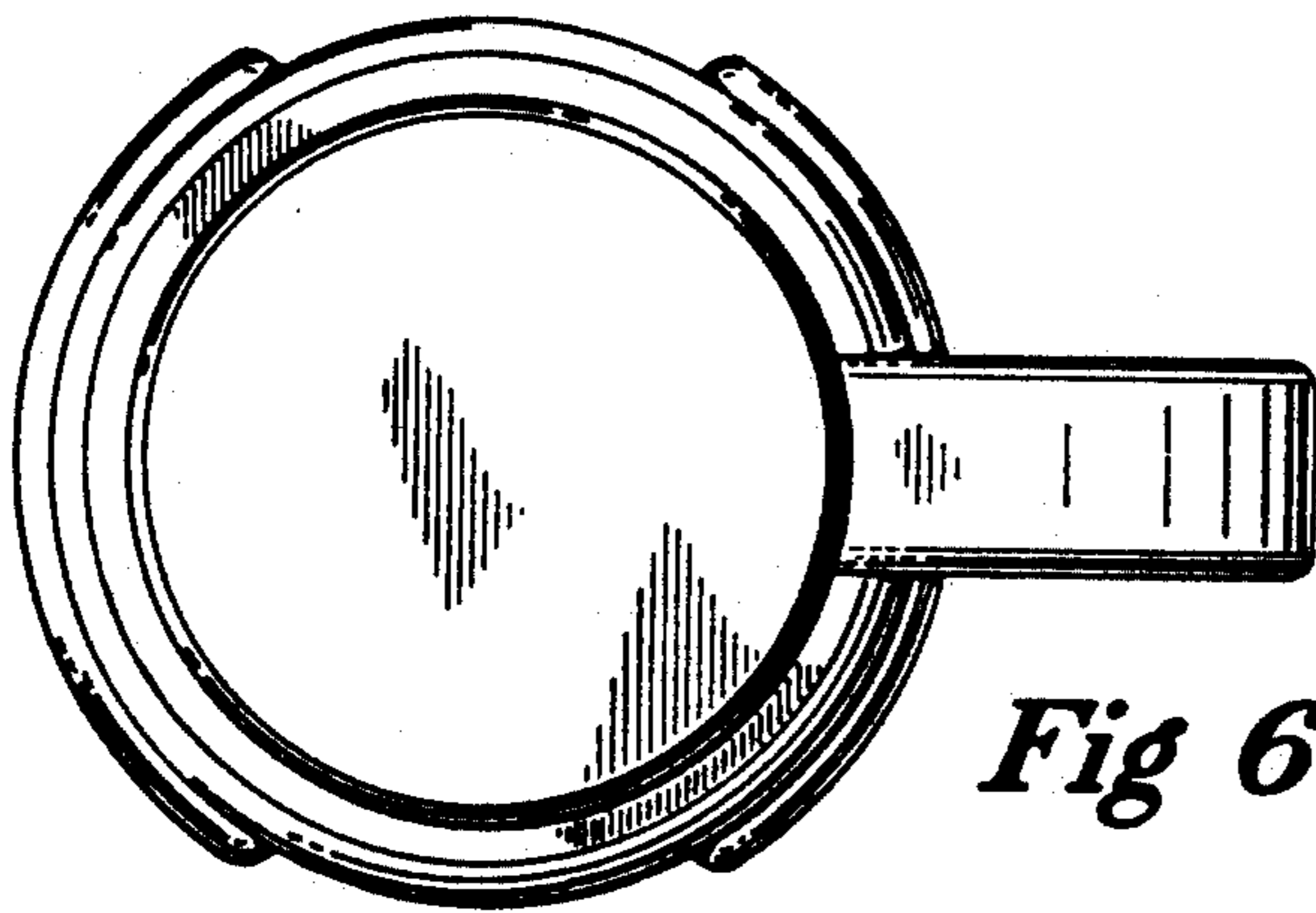




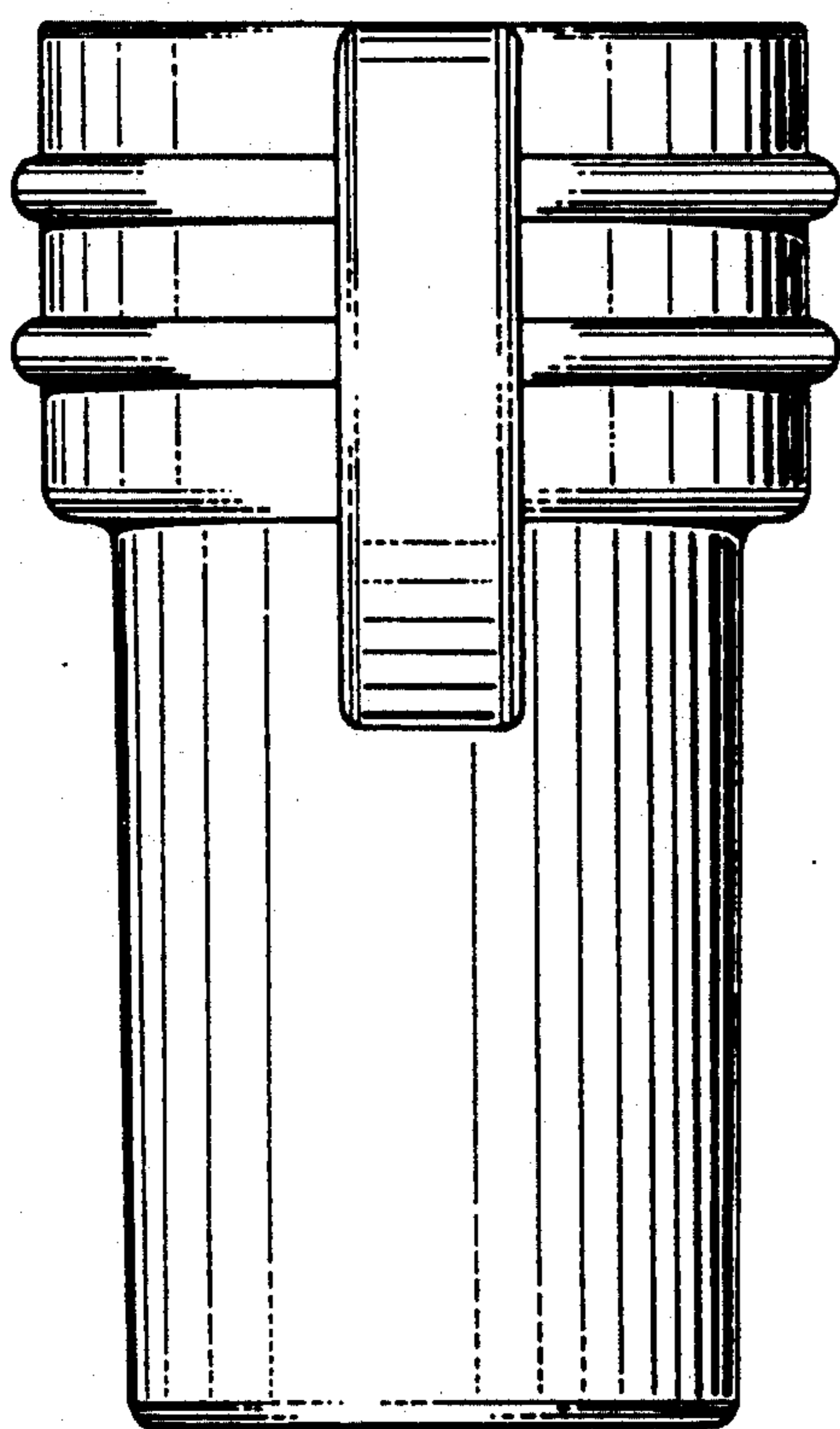
*Fig 1*



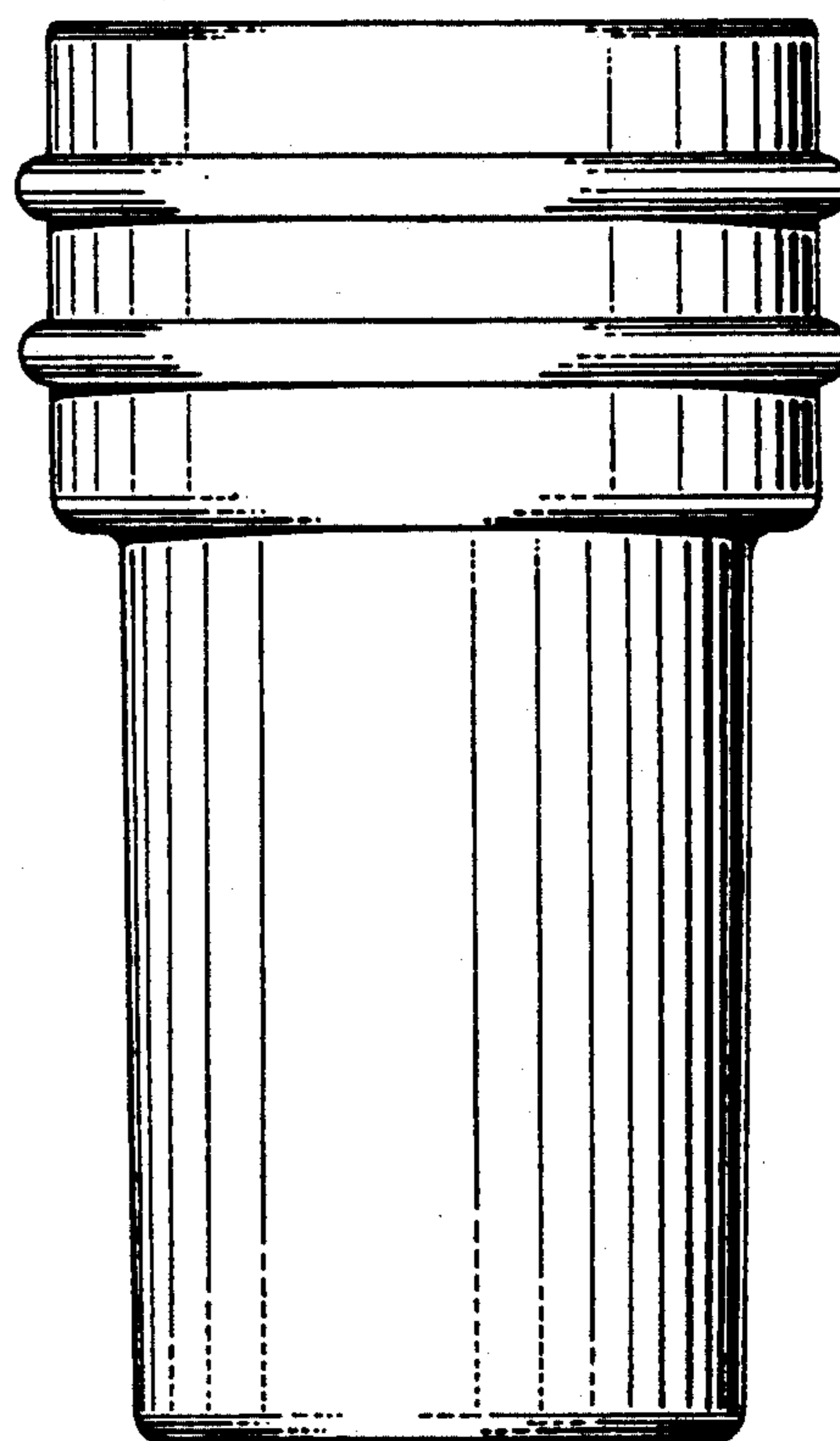
*Fig 2*



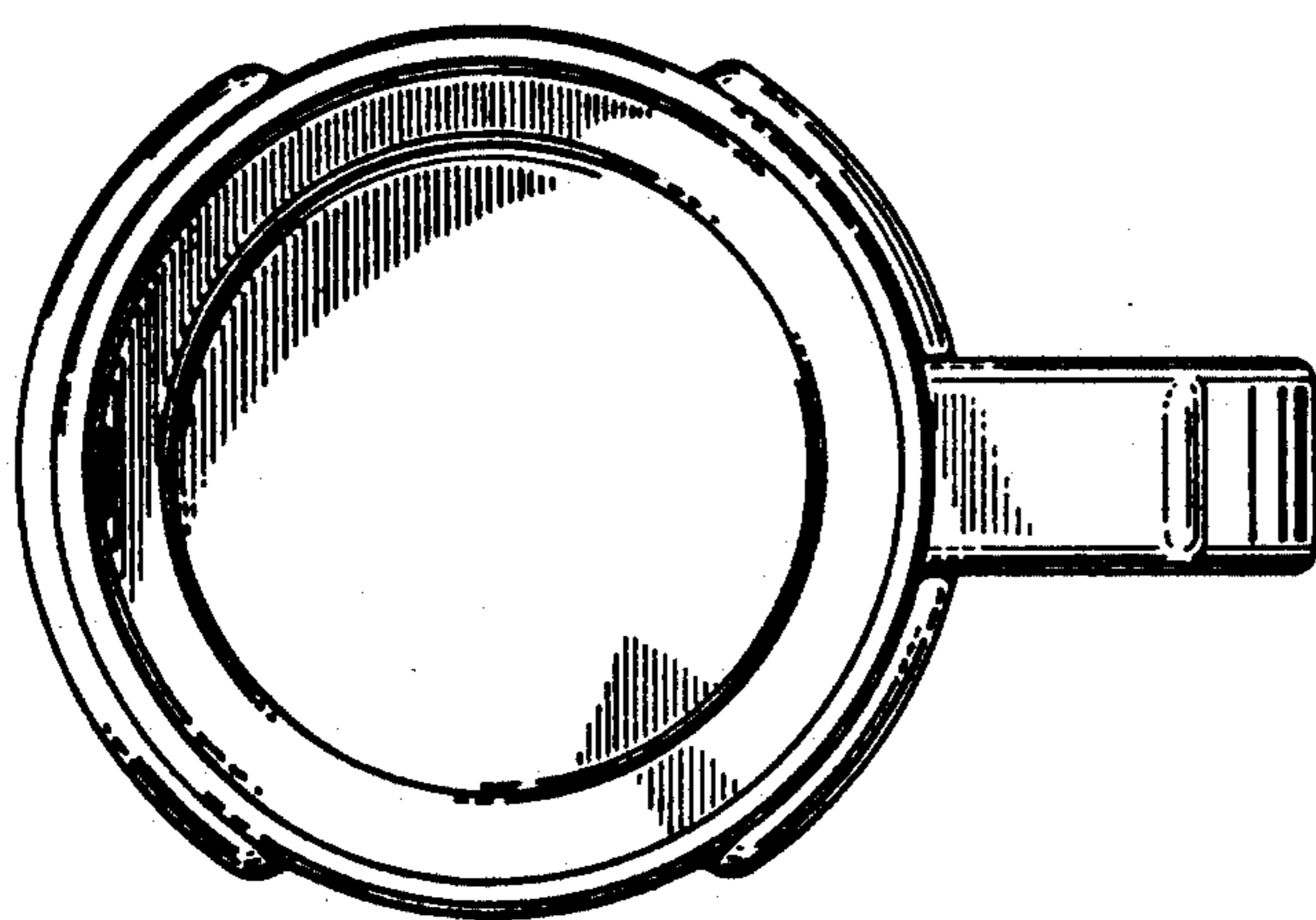
*Fig 6*



*Fig 3*



*Fig 4*



*Fig 5*