



US00D339028S

United States Patent [19]

[11] Patent Number: **Des. 339,028**

Bannigan

[45] Date of Patent: **** Sep. 7, 1993**

[54] **BASKET FOR A BEVERAGE MAKER**

[75] Inventor: **Francis R. Bannigan, Huntingdale, Australia**

[73] Assignee: **Kambrook Distributing Pty. Ltd., Australia**

[**] Term: **14 Years**

[21] Appl. No.: **714,763**

[22] Filed: **Jun. 12, 1991**

[30] **Foreign Application Priority Data**

Dec. 13, 1990 [AU] Australia 4026/90

[52] U.S. Cl. **D7/400; D7/399**

[58] Field of Search **D7/400, 309, 399, 310, D7/462, 305, 306, 307; 99/306, 323, 295, 299; 210/500.23, 500.1, 477, 482, 481; D23/209; D32/53**

[56] **References Cited**

U.S. PATENT DOCUMENTS

D. 241,402 9/1976 Painter D7/400
D. 250,445 12/1978 Braun D7/400

D. 266,894 11/1982 Bersten D7/309 X
D. 270,699 9/1983 Rakocy et al. D7/309
1,574,021 2/1926 Bonell 99/295 X
3,374,897 3/1968 Martin 99/306 X
3,388,804 6/1968 Hester 210/477
4,303,525 12/1981 Stover 99/306 X
4,676,396 6/1987 Mamolou D7/400 X
4,697,503 10/1987 Okabe et al. D7/400 X
4,882,982 11/1989 Muttoni 99/295
4,882,983 11/1989 Pastrick 99/299 X
4,921,712 5/1990 Malmquist 99/306 X

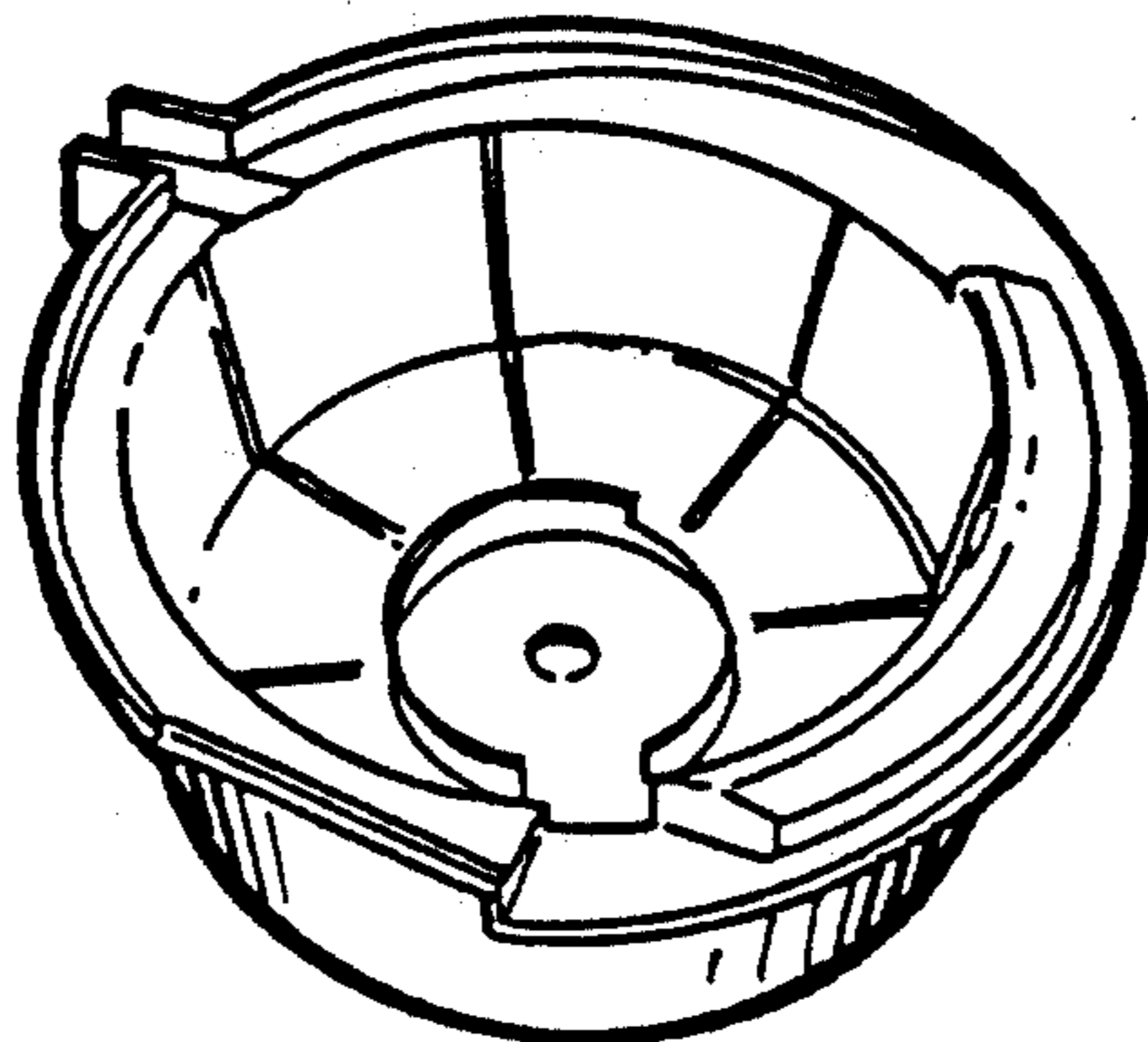
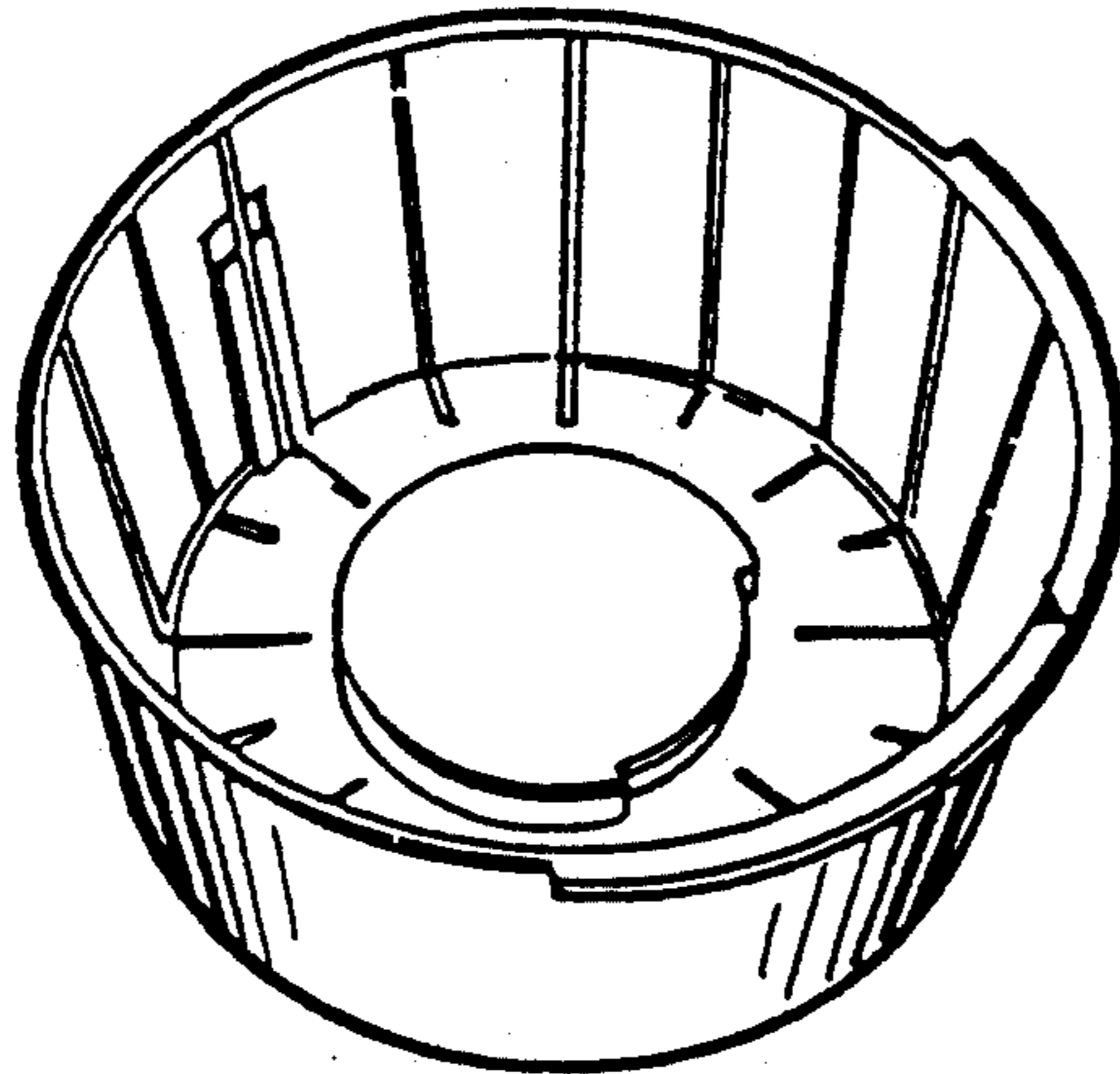
Primary Examiner—Alan P. Douglas
Assistant Examiner—M. N. Pandozzi
Attorney, Agent, or Firm—Andrus, Scales, Starke & Sawall

[57] **CLAIM**

The ornamental design for a basket for a beverage maker, as shown.

DESCRIPTION

FIG. 1 is a top perspective view of a basket for a beverage maker showing my new design; FIG. 2 is a bottom plan view thereof; and, FIG. 3 is a top perspective view thereof where the two parts are together as one unit.



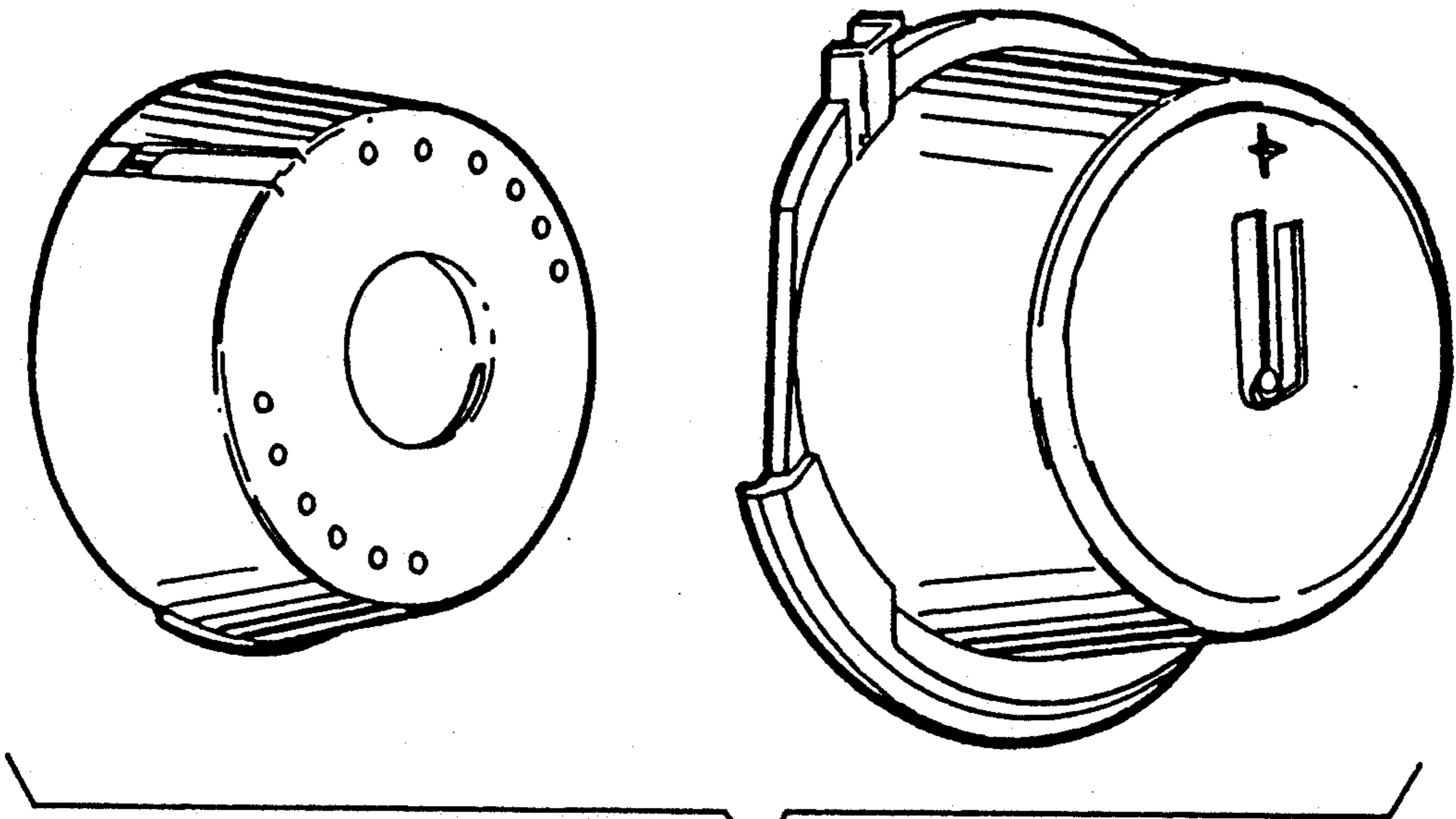


FIG. 2

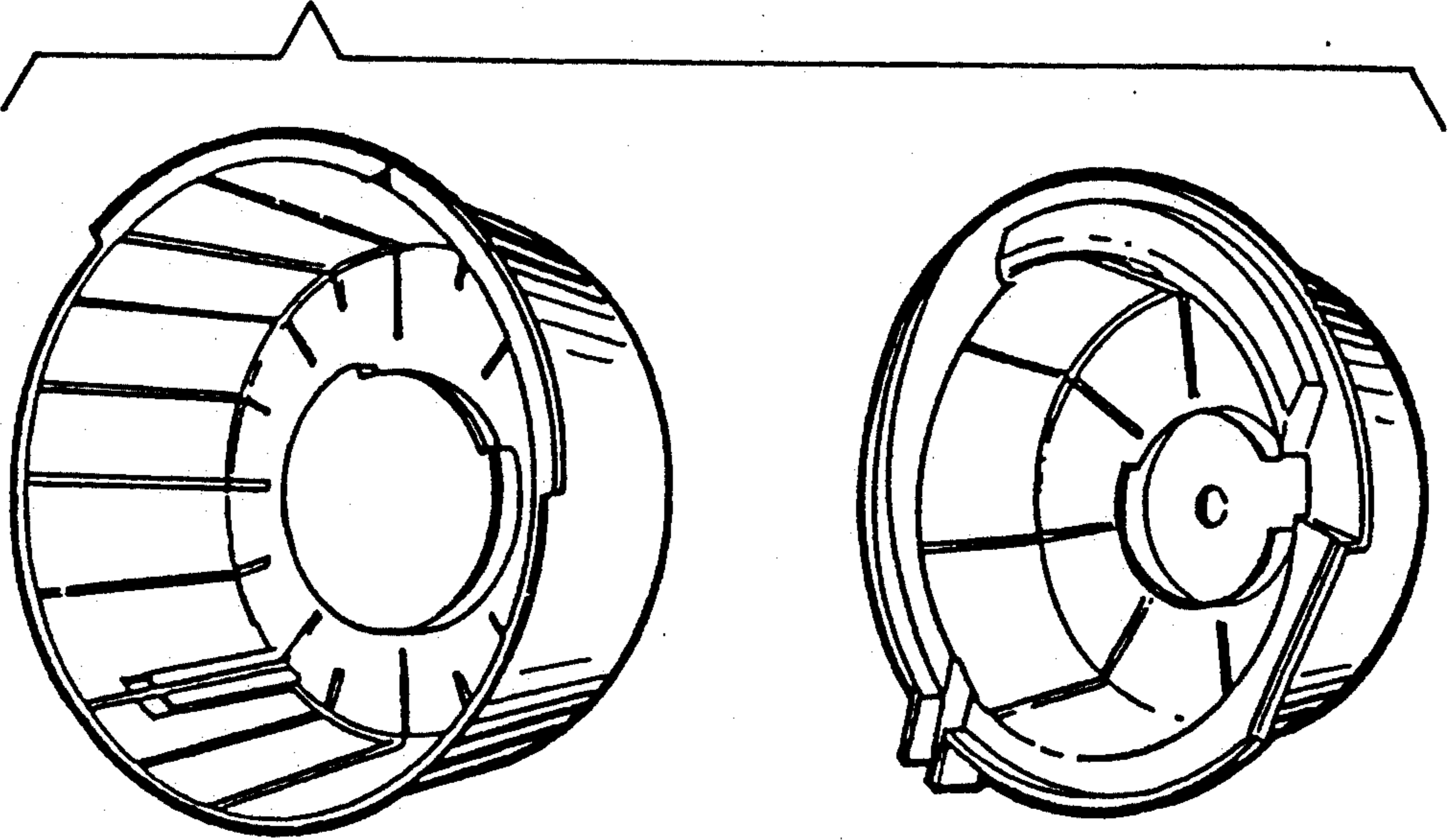


FIG. 1

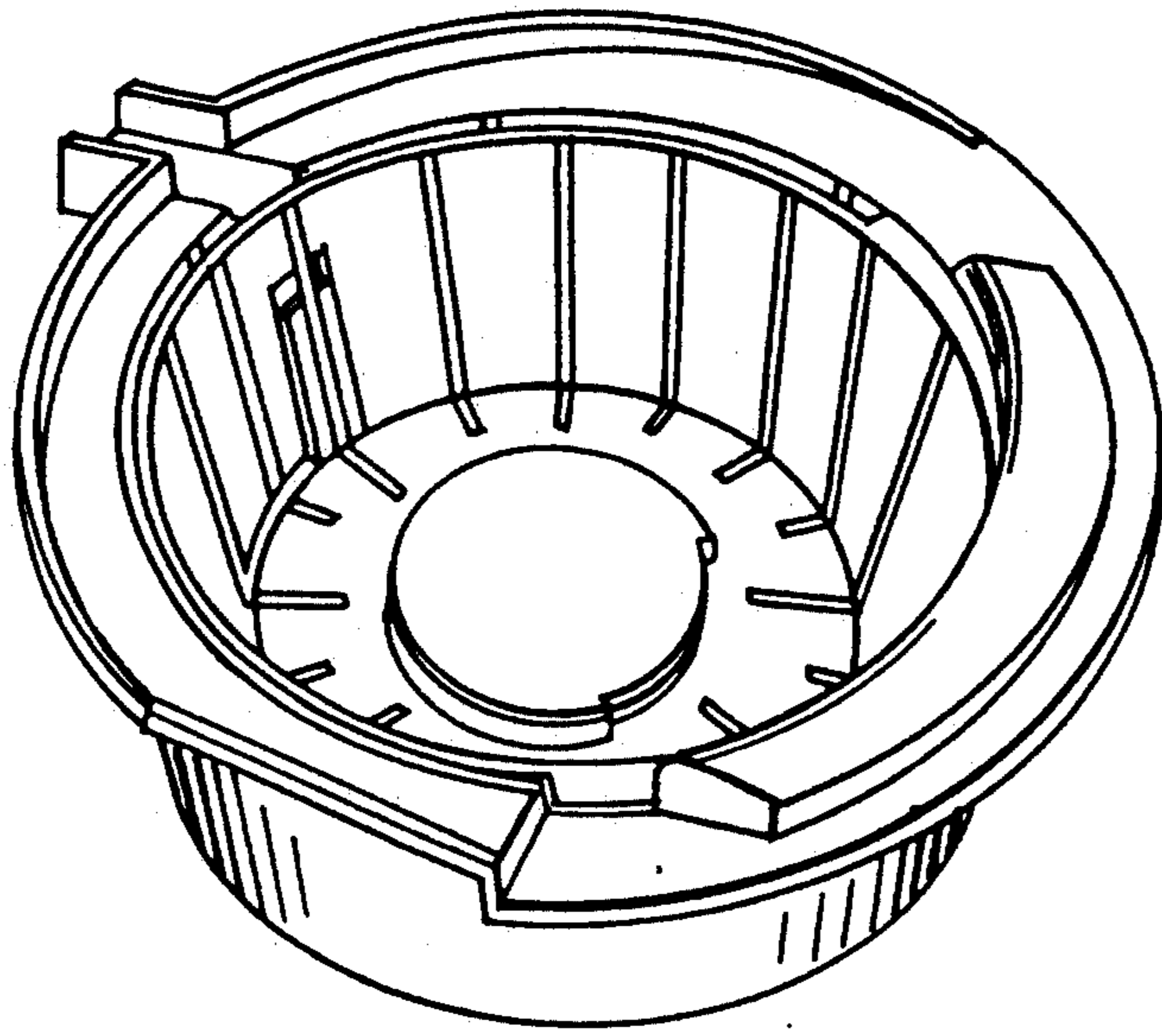


FIG. 3