



US00D339023S

# United States Patent [19]

[11] Patent Number: **Des. 339,023**

De Coster

[45] Date of Patent: **\*\* Sep. 7, 1993**

[54] **PITCHER**

[75] Inventor: **Pieter K. J. De Coster, Parklaan 77, Belgium**

[73] Assignee: **Dart Industries Inc., Deerfield, Ill.**

[\*\*] Term: **14 Years**

[21] Appl. No.: **817,117**

[22] Filed: **Dec. 23, 1991**

[52] U.S. Cl. .... **D7/318; D7/316; D7/317**

[58] Field of Search ..... **D7/322, 300, 301, 302, D7/303, 312, 316, 317, 318, 321, 619, 622, 623, 319, 320, 326, 392; 220/771, 20.86, 373; 99/279, 316, 317, 306, 304; 215/12.1; 222/465.1, 470, 472; D9/453, 454, 435**

[56] **References Cited**

### U.S. PATENT DOCUMENTS

D. 229,657	12/1973	Cyren	.....	D7/317
D. 233,599	11/1979	Davis	.....	D9/453
D. 251,765	5/1981	Okazaki	.....	D7/321
D. 264,926	6/1982	McClelland	.....	D7/317
D. 272,324	1/1984	Mumford et al.	.....	D9/454 X
D. 286,364	10/1986	Gecchelin	.....	D7/317

D. 303,904	10/1989	Wolfenden	.....	D7/319 X
D. 306,547	3/1990	Wolfenden	.....	D7/319 X
D. 315,507	3/1991	Ochs	.....	D9/453
D. 316,206	4/1991	Daenen et al.	.....	D7/317
D. 326,978	6/1992	Zimmermann	.....	D7/318 X
D. 330,305	10/1992	Giugiaro	.....	D7/318

### OTHER PUBLICATIONS

Tableware Design 404 Aug. 1982 p. 31 Pitcher w/lid.

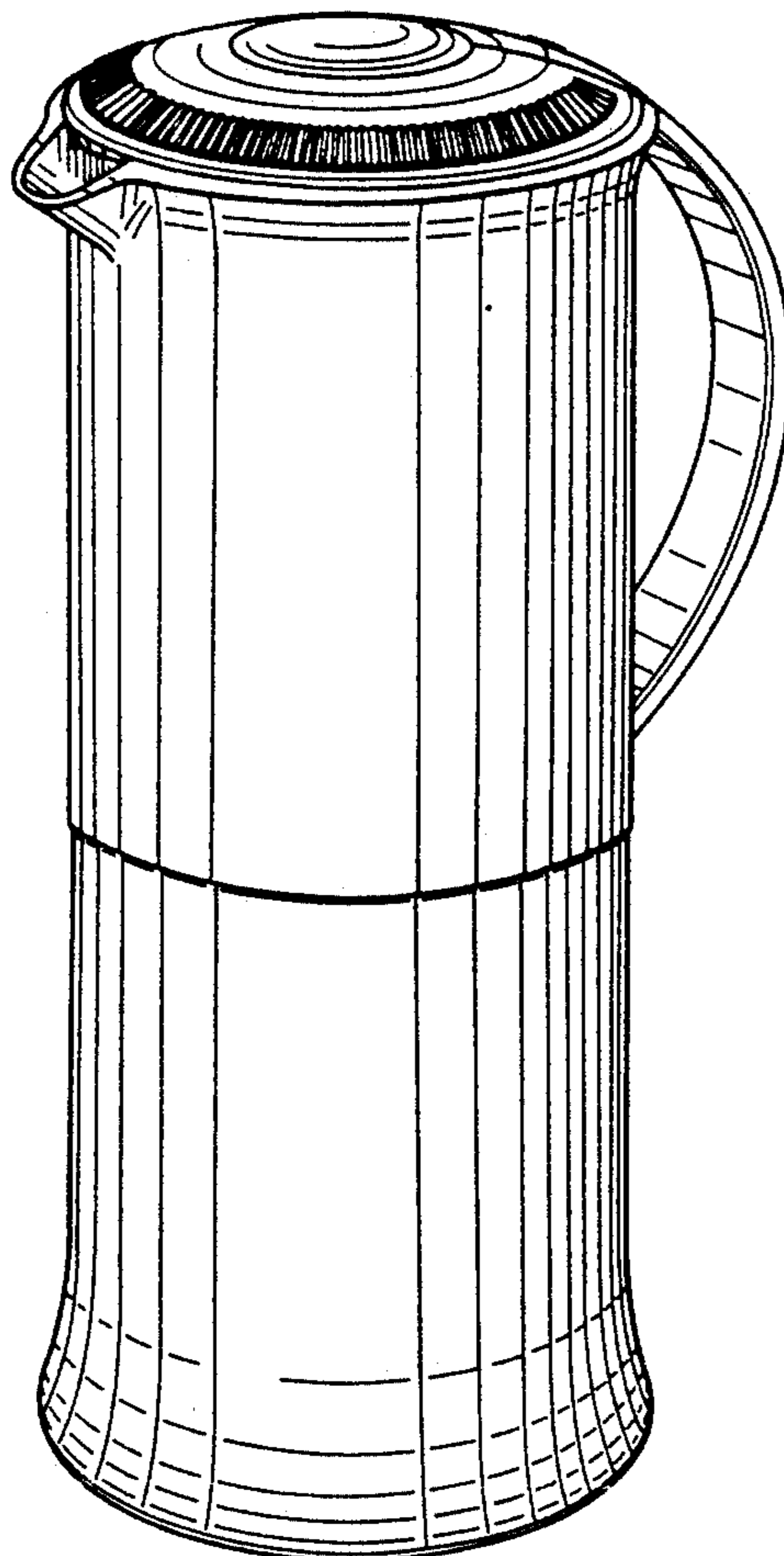
Primary Examiner—Alan P. Douglas  
Assistant Examiner—M. N. Pandozzi  
Attorney, Agent, or Firm—John A. Doninger

### [57] CLAIM

The ornamental design for a pitcher, as shown and described.

### DESCRIPTION

FIG. 1 is a top, front, left side perspective view of a pitcher showing my new design;  
FIG. 2 is a top plan thereof;  
FIG. 3 is a bottom plan thereof;  
FIG. 4 is a front view thereof, the rear view being a mirror image thereof;  
FIG. 5 is a right side elevational view thereof; and,  
FIG. 6 is a left side elevational view thereof.



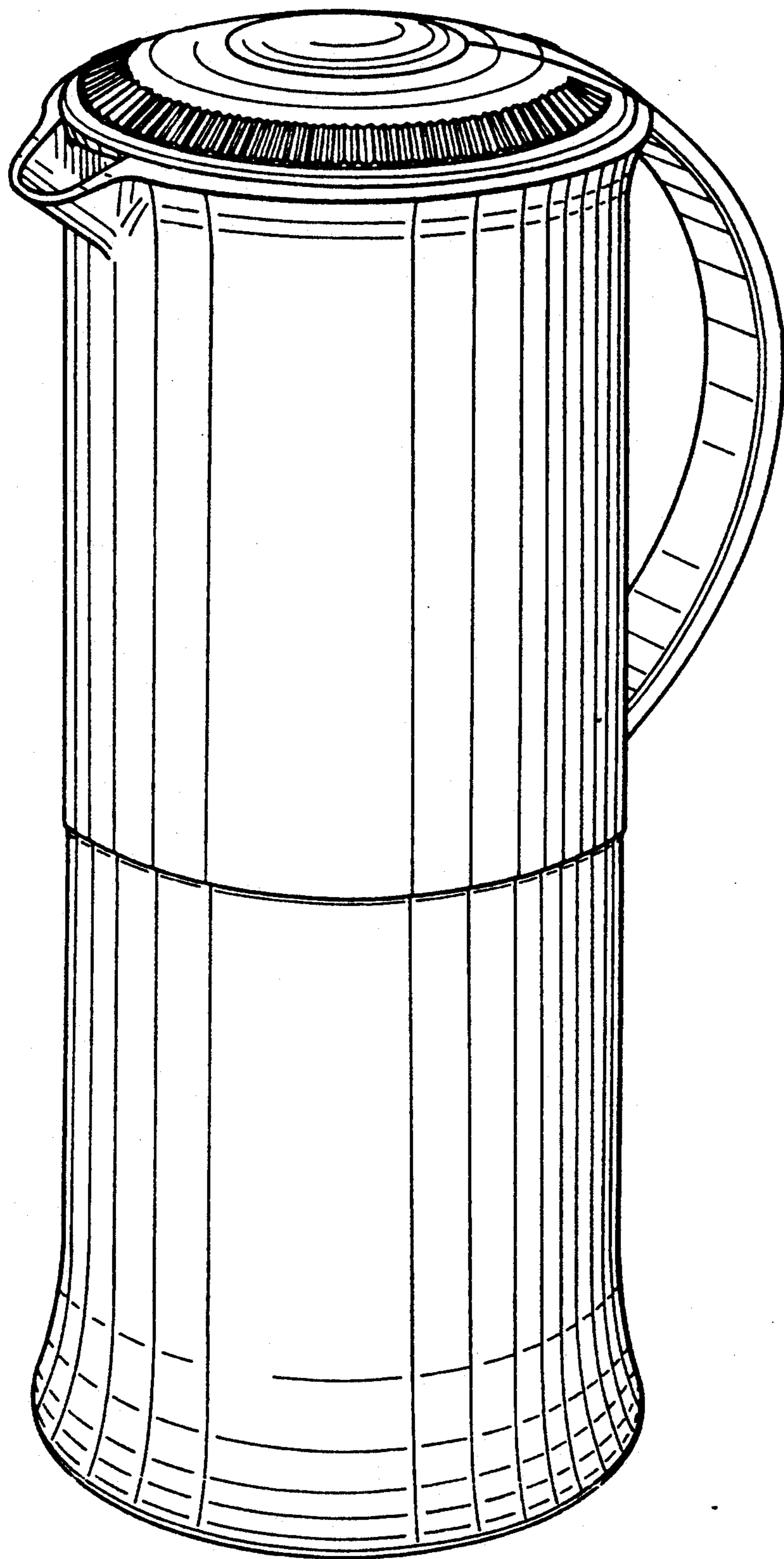


FIG. 1

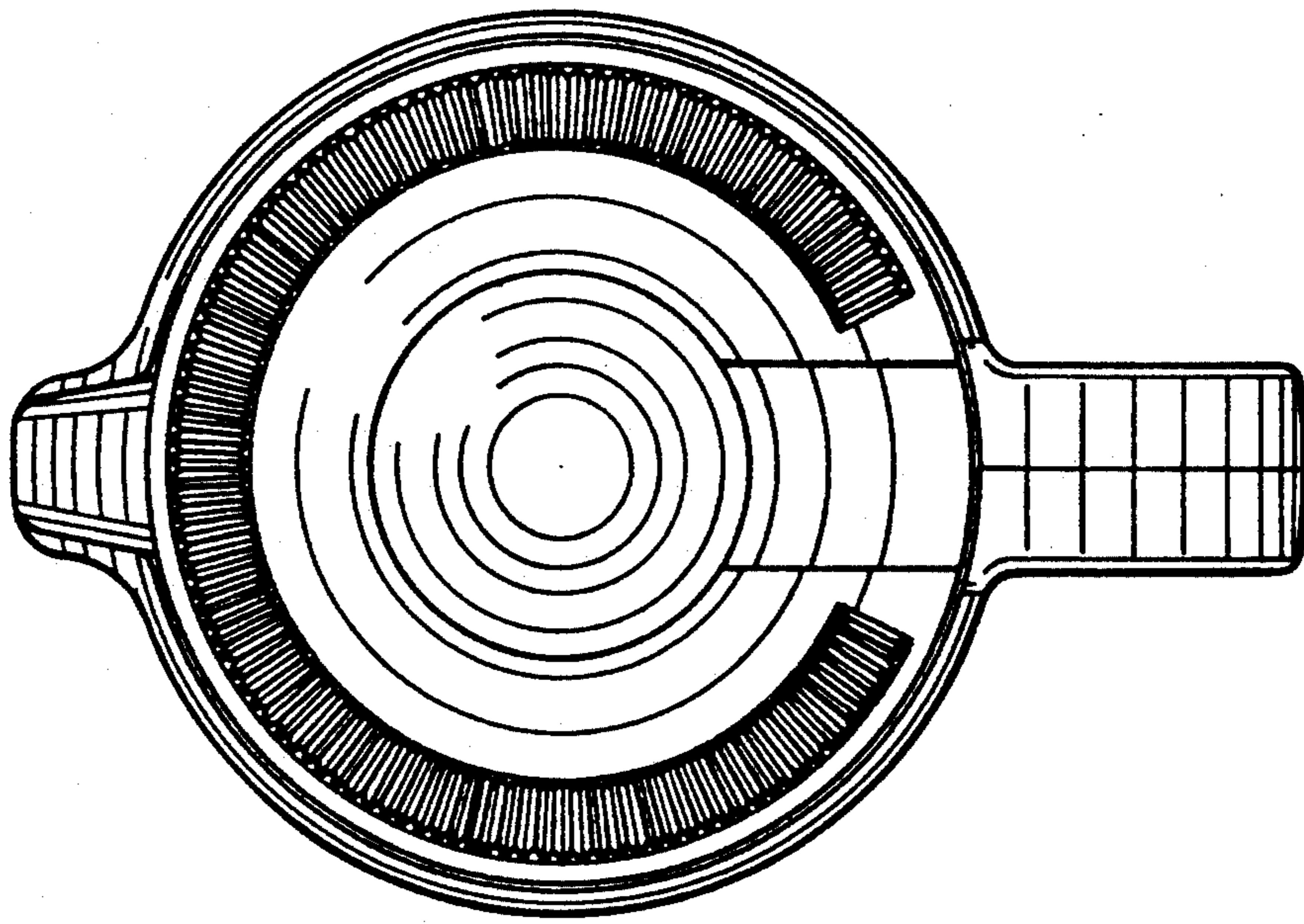


FIG. 2

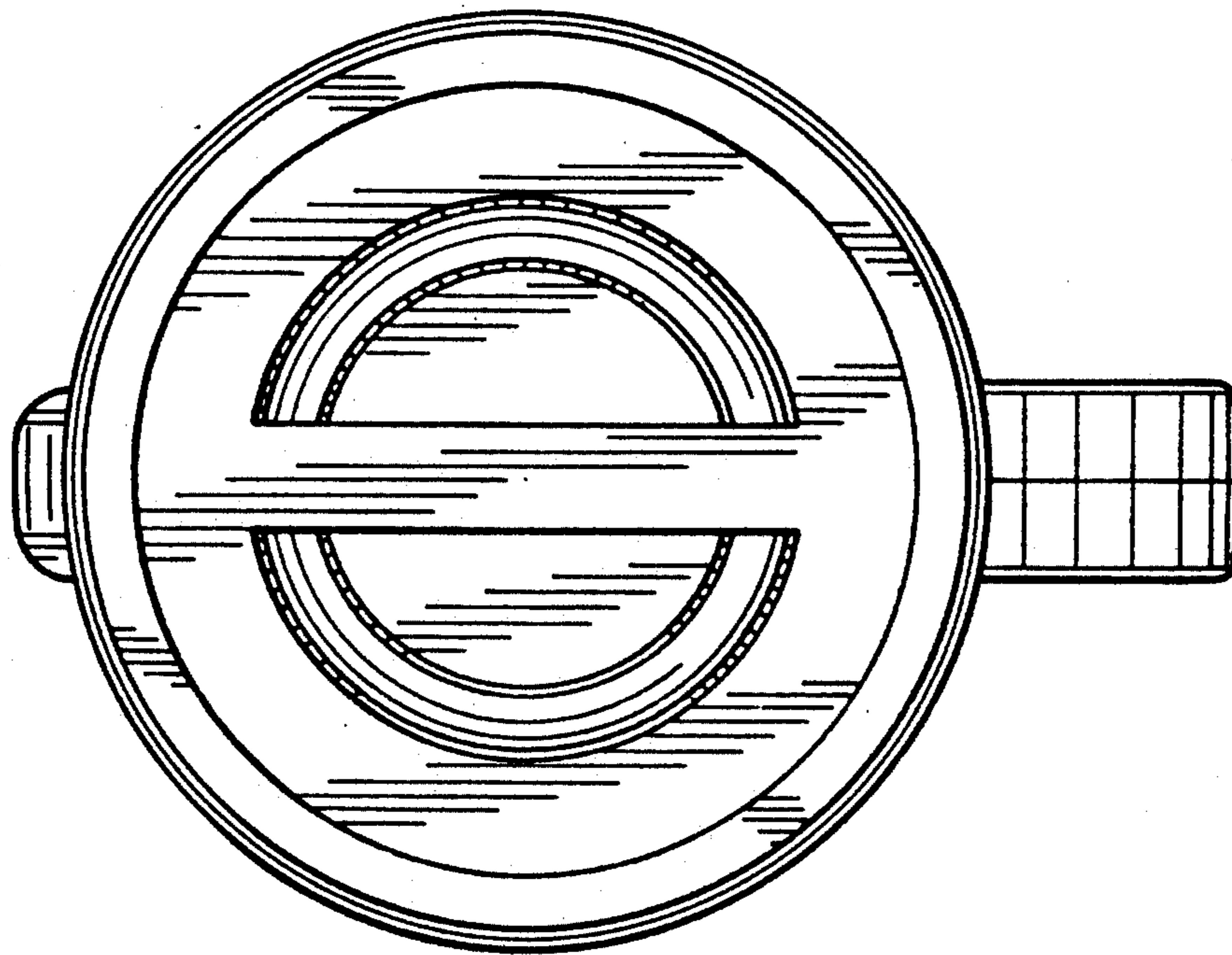


FIG. 3

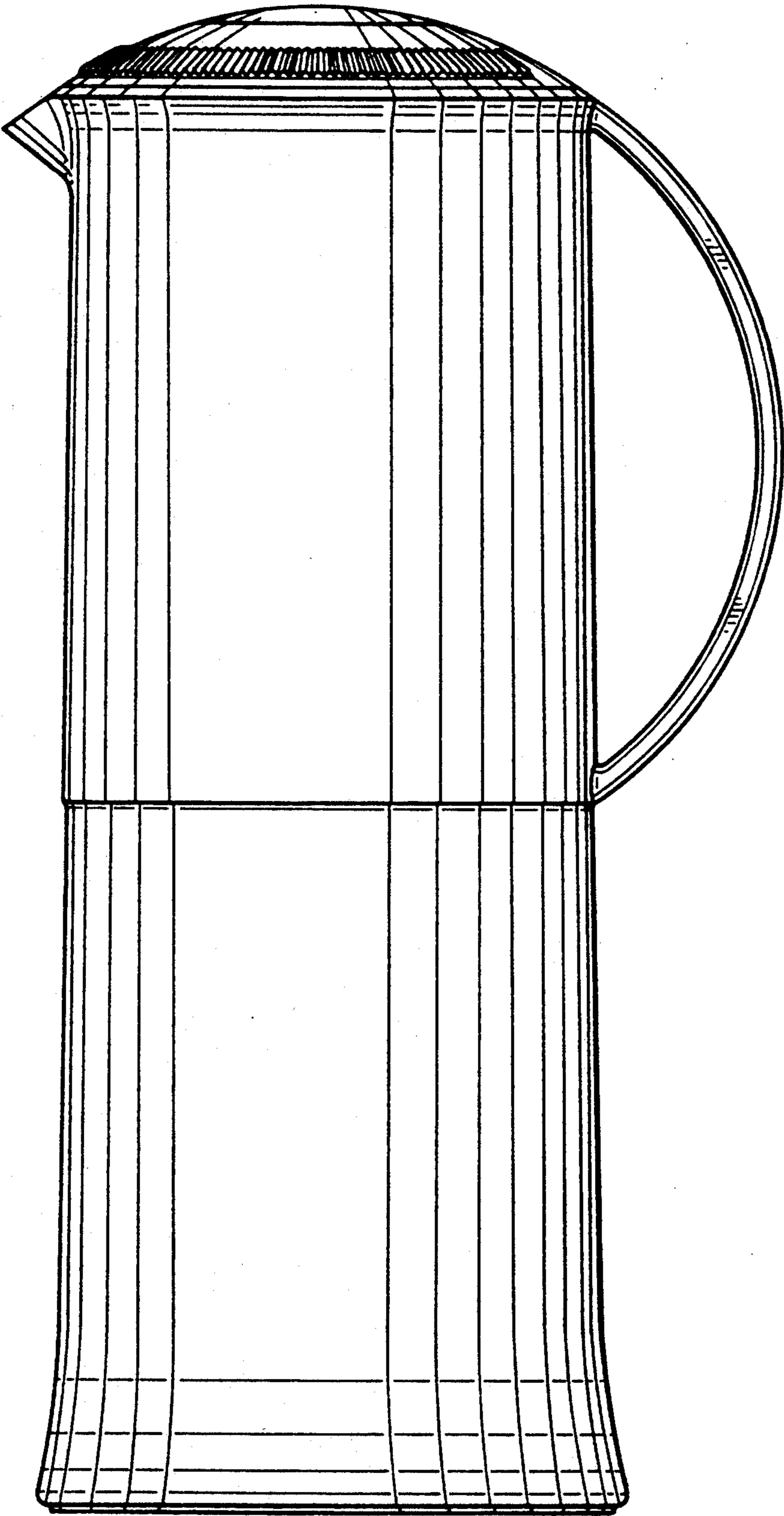


FIG. 4

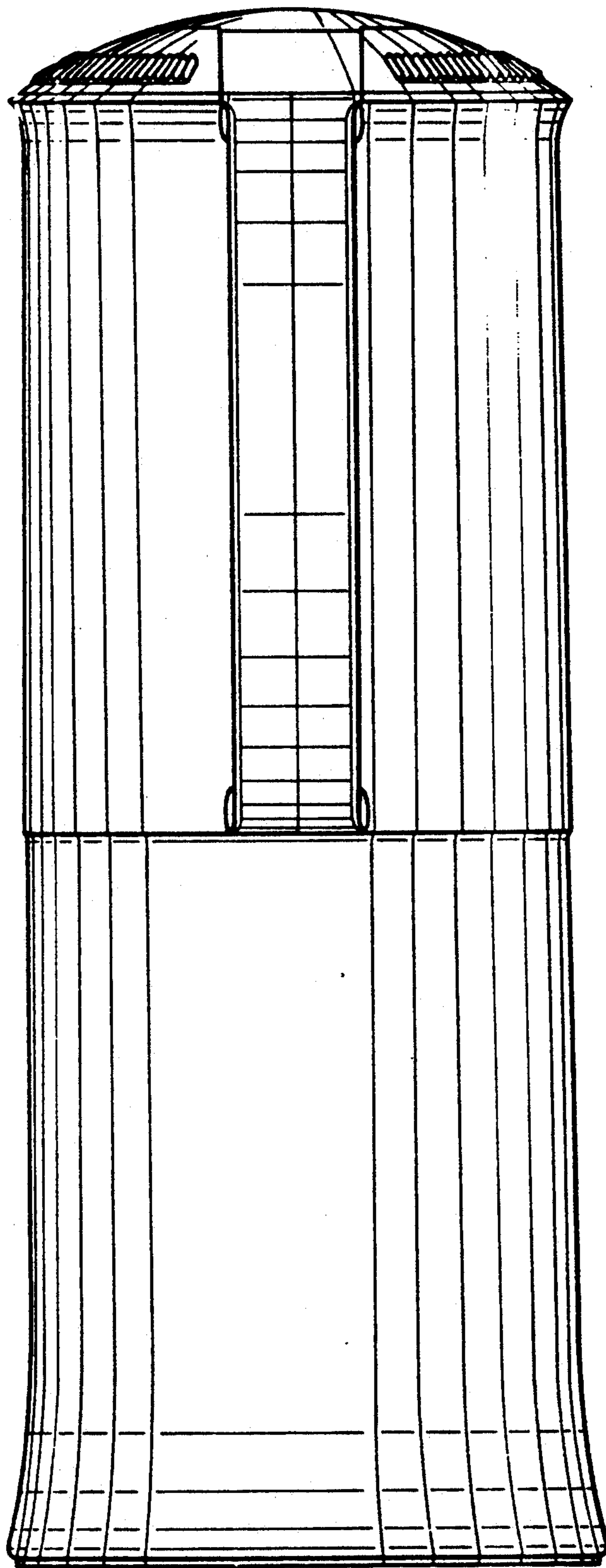


FIG. 5

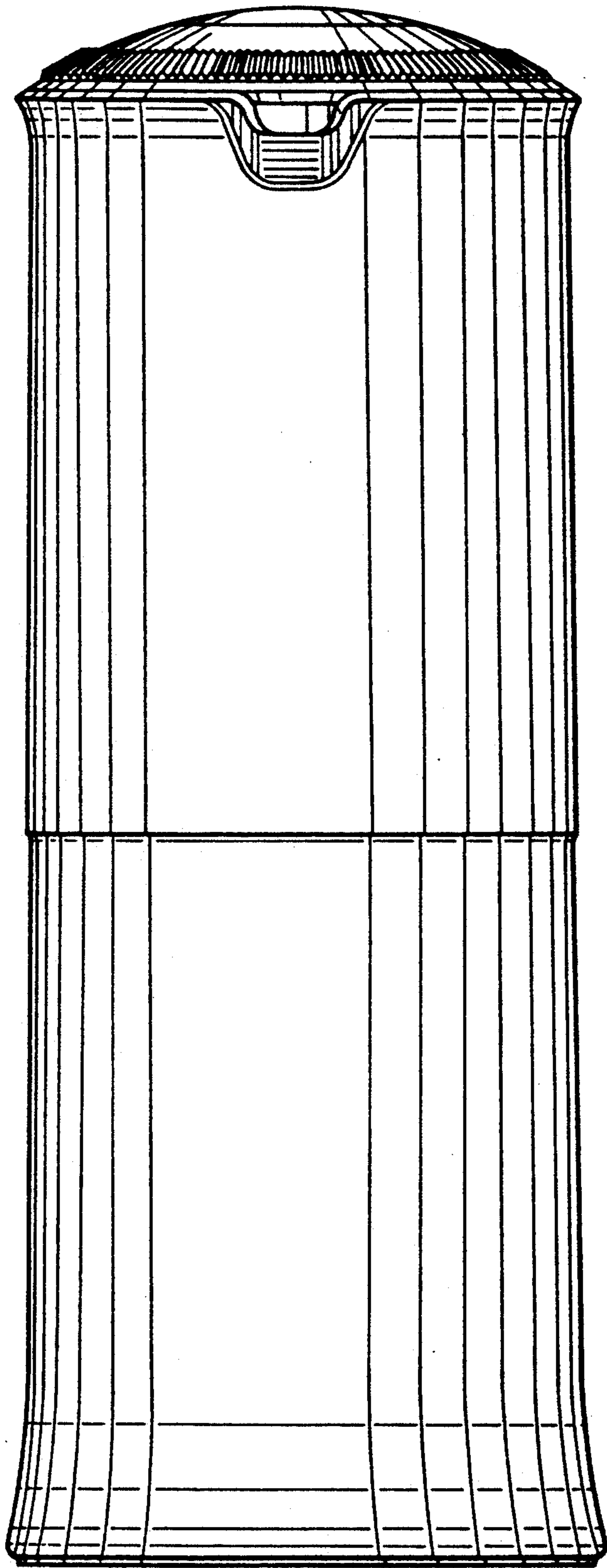


FIG. 6