



US00D339020S

# United States Patent [19]

[11] Patent Number: **Des. 339,020**

Ward et al.

[45] Date of Patent: **\*\* Sep. 7, 1993**

[54] **PILLOW**

[75] Inventors: **George Ward, Burlington; Andrew Cameron, Thornhill; Noel Folkard, Caledon, all of Canada**

[73] Assignee: **Woodbridge Foam Corporation, Mississauga, Canada**

[\*\*] Term: **14 Years**

[21] Appl. No.: **945,340**

[22] Filed: **Sep. 15, 1992**

[52] U.S. Cl. .... **D6/601; D6/596**

[58] Field of Search ..... **D6/601, 595, 596; 297/459; 5/636, 468**

4,698,864	10/1987	Graebe .....	5/441
4,759,089	7/1988	Fox .....	5/434
4,773,107	9/1988	Josefek .....	5/434
4,777,855	10/1988	Cohen .....	83/862
4,832,007	5/1989	Davis, Jr.; et al. ....	5/636
4,924,540	5/1990	Main .....	5/436
5,115,527	5/1992	Medley .....	5/468

### FOREIGN PATENT DOCUMENTS

36813	1/1970	Australia .....	5/436
1321716	6/1973	United Kingdom .	

*Primary Examiner*—Wallace R. Burke  
*Assistant Examiner*—Lisa Lichtenstein  
*Attorney, Agent, or Firm*—James A. Drobile; Robert E. Rosenthal

### [57] CLAIM

The ornamental design for a pillow, as shown and described.

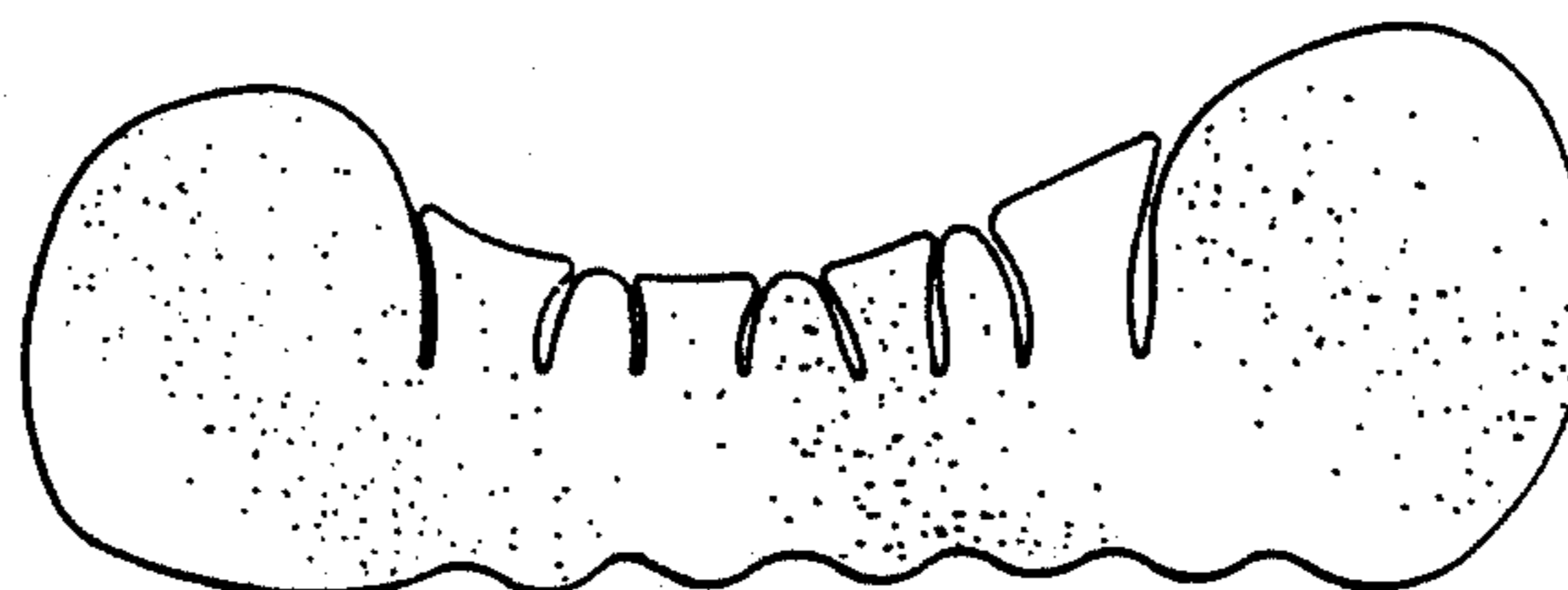
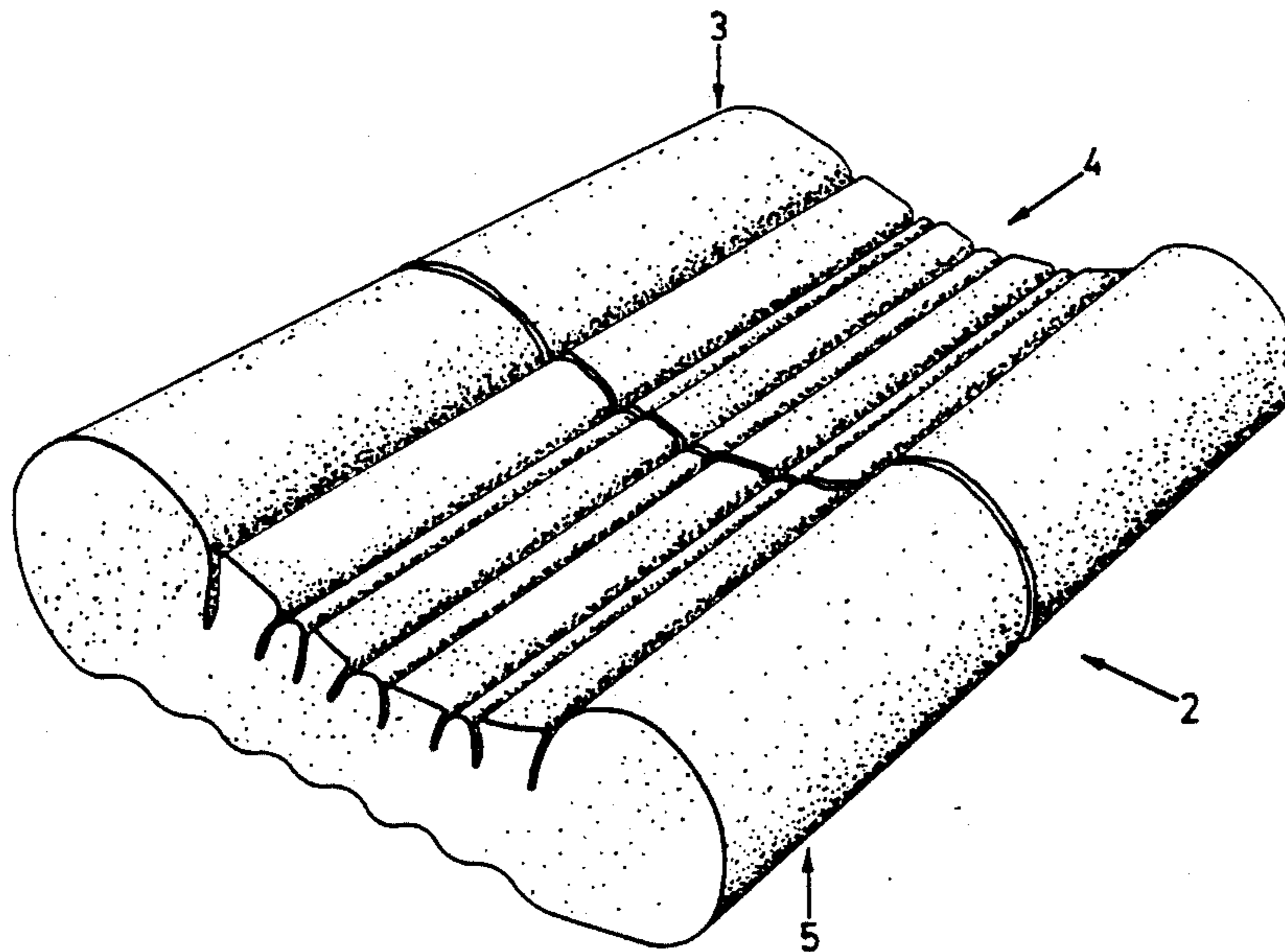
### DESCRIPTION

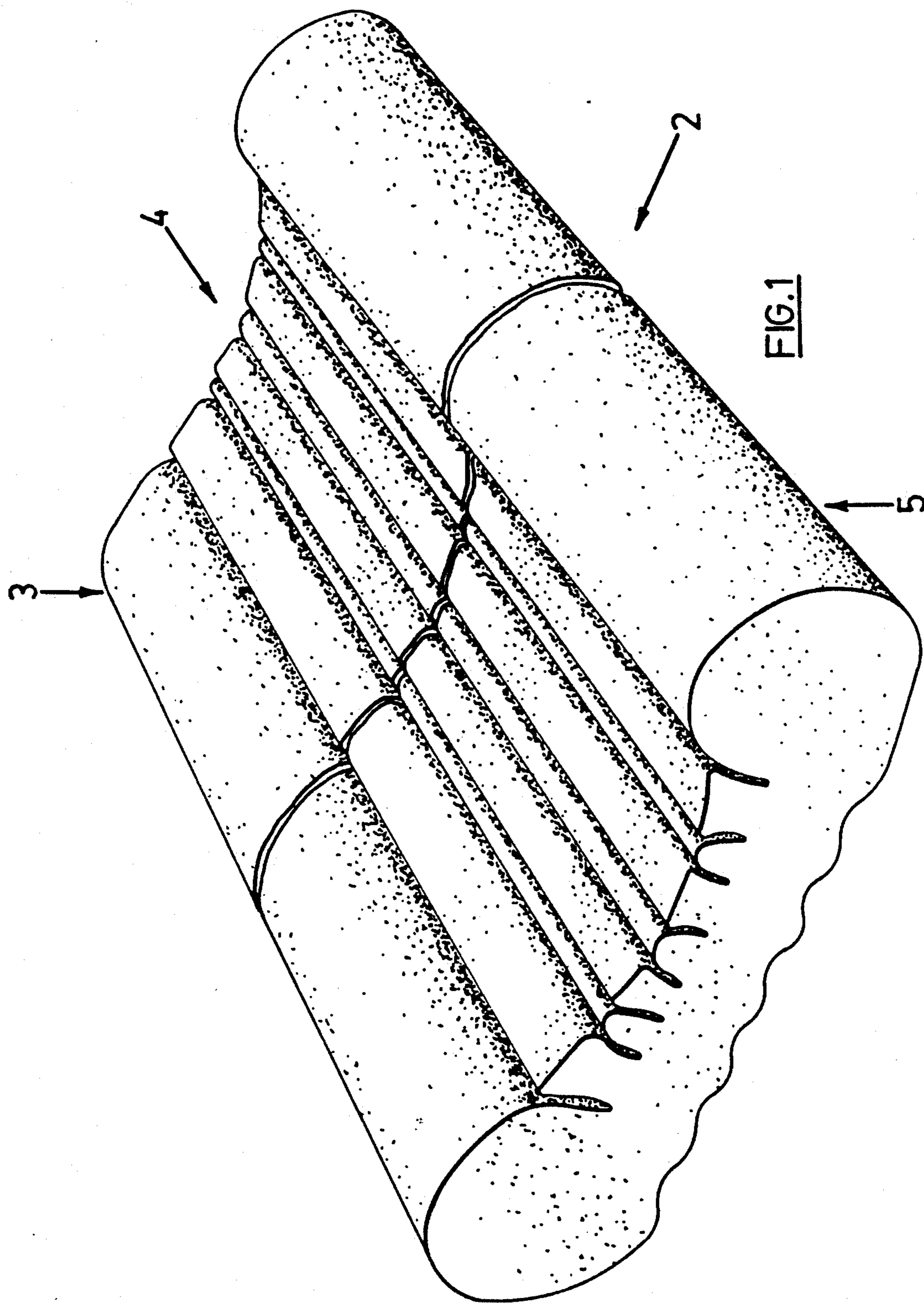
FIG. 1 is a perspective view of a pillow showing our new design;  
FIG. 2 is a front view thereof;  
FIG. 3 is a top plan view thereof;  
FIG. 4 is a side view thereof, the opposite side being a mirror image of that shown; and,  
FIG. 5 is a bottom plan view thereof.  
The pillow has been broken away in the middle in FIGS. 1, 2, 3 and 5 to indicate indeterminate length.

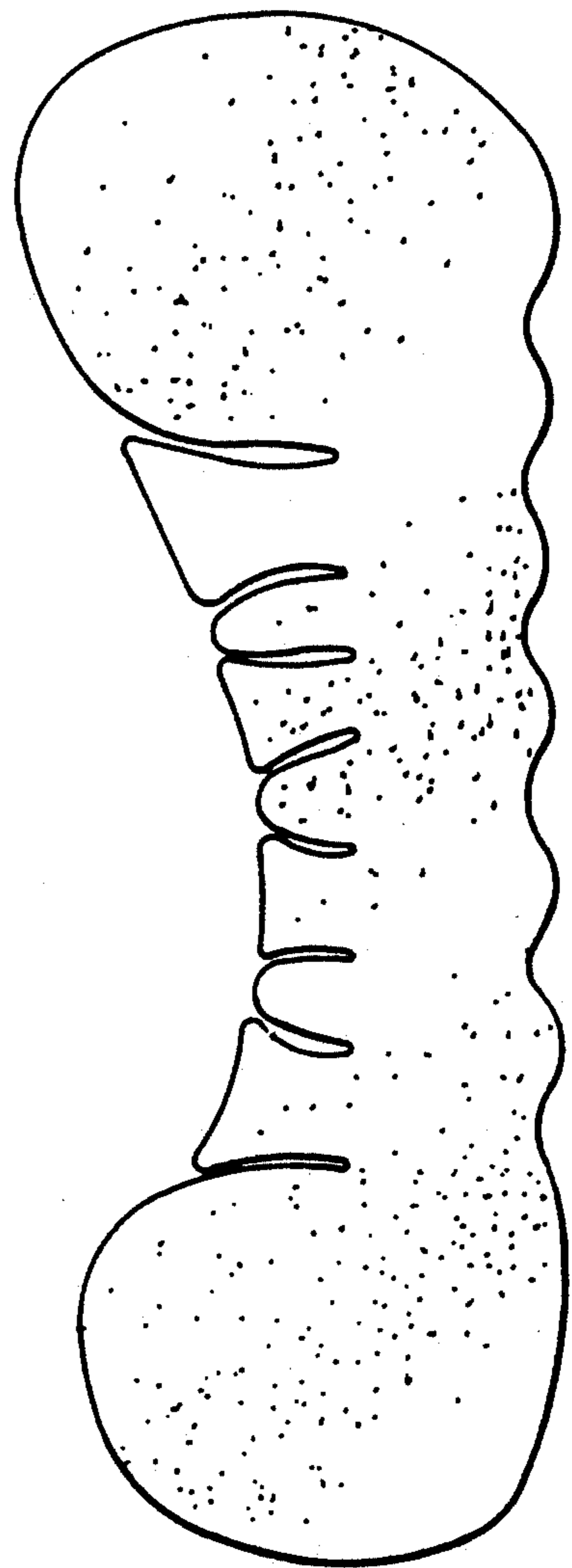
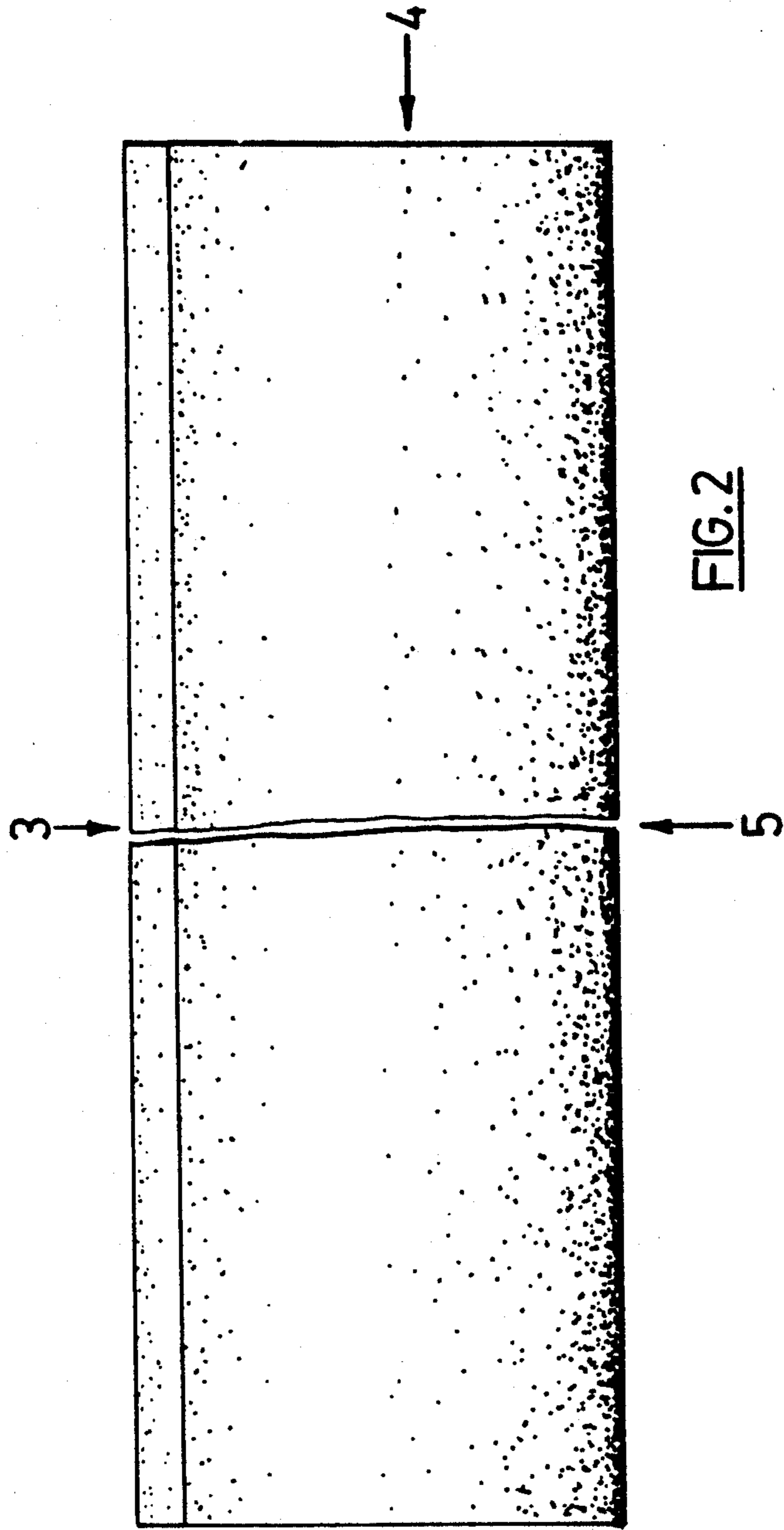
### [56] References Cited

#### U.S. PATENT DOCUMENTS

D. 245,137	7/1977	Benn .....	D6/596
D. 325,840	5/1992	Main .....	D6/601
1,973,240	9/1934	Werness et al. ....	27/13
2,769,185	11/1956	Biederman .....	5/338
3,426,372	2/1969	Enelow .....	5/337
3,757,365	9/1973	Kretchmer .....	5/338
3,829,917	8/1974	De Laittre .....	5/338
4,320,543	3/1982	Dixon .....	5/434
4,349,925	9/1982	Macomber .....	5/431
4,432,107	2/1984	Clark et al. ....	5/436
4,574,411	3/1986	Yagi .....	5/434







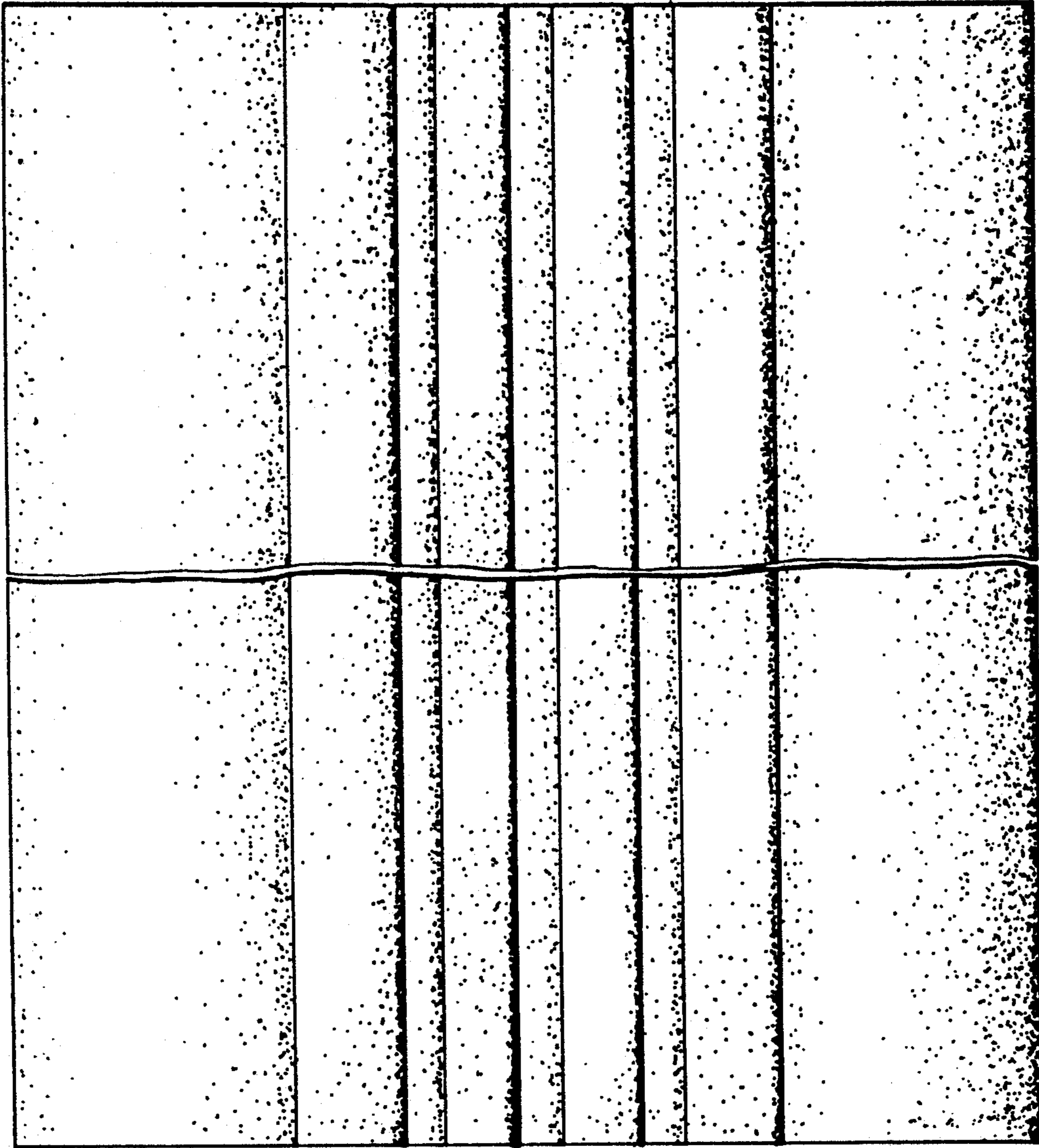


FIG. 3

FIG. 5

