



US00D339017S

# United States Patent [19]

Goodman et al.

[11] Patent Number: **Des. 339,017**

[45] Date of Patent: **\*\* Sep. 7, 1993**

[54] **POCKET ORGANIZER**

[76] Inventors: **Sheldon H. Goodman**, 30905 Stratford, Solon, Ohio 44139; **Steven E. Greenhut**, 6368 NW. 23rd Way, Boca Raton, Fla. 33496

[\*\*] Term: **14 Years**

[21] Appl. No.: **710,920**

[22] Filed: **Jun. 5, 1991**

[52] U.S. Cl. .... **D6/567**

[58] Field of Search ..... **D6/567, 553, 569-571, D6/573; D3/30.1, 40; D19/75, 86, 90-91; 211/9-10, 13, 40, 44, 45, 60.1, 70.6, 70.7, 88, 90**

[56] **References Cited**

**U.S. PATENT DOCUMENTS**

- D. 294,791 3/1988 Loscalzo et al. .... D6/569
- D. 301,101 5/1989 Meyer ..... D6/553 X
- D. 307,445 4/1990 Greenhut et al. .... D6/573 X
- D. 308,148 5/1990 Meyer ..... D6/567
- 2,941,673 6/1960 Lomas ..... 211/90

- 3,945,499 3/1976 Bronnson ..... 211/88
- 4,828,120 5/1989 Beil et al. .... D6/567 X
- 5,000,327 3/1991 Kincheloe ..... D6/567 X

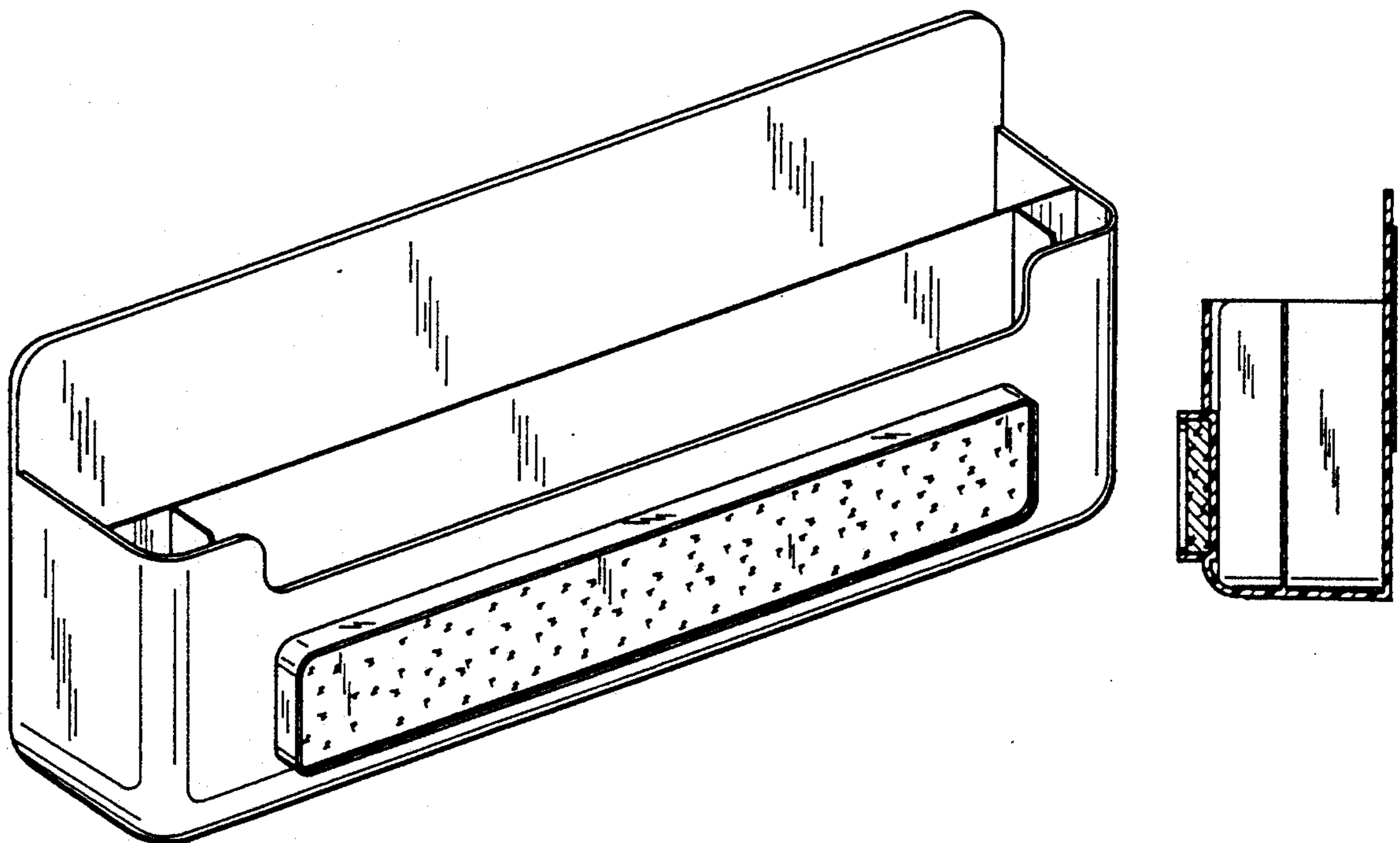
*Primary Examiner*—Brian N. Vinson  
*Attorney, Agent, or Firm*—Pearne, Gordon, McCoy & Granger

[57] **CLAIM**

The ornamental design for a pocket organizer, as shown and described.

**DESCRIPTION**

FIG. 1 is a left side, top and front perspective view of a pocket organizer showing our new design; FIG. 2 is a front elevational view thereof; FIG. 3 is a right side elevational view thereof, the left side elevational view being a mirror image; FIG. 4 is a top plan view thereof; FIG. 5 is a bottom plan view thereof; FIG. 6 is a rear elevational view thereof; and, FIG. 7 is a sectional view taken on the line 7-7 of FIG. 2.



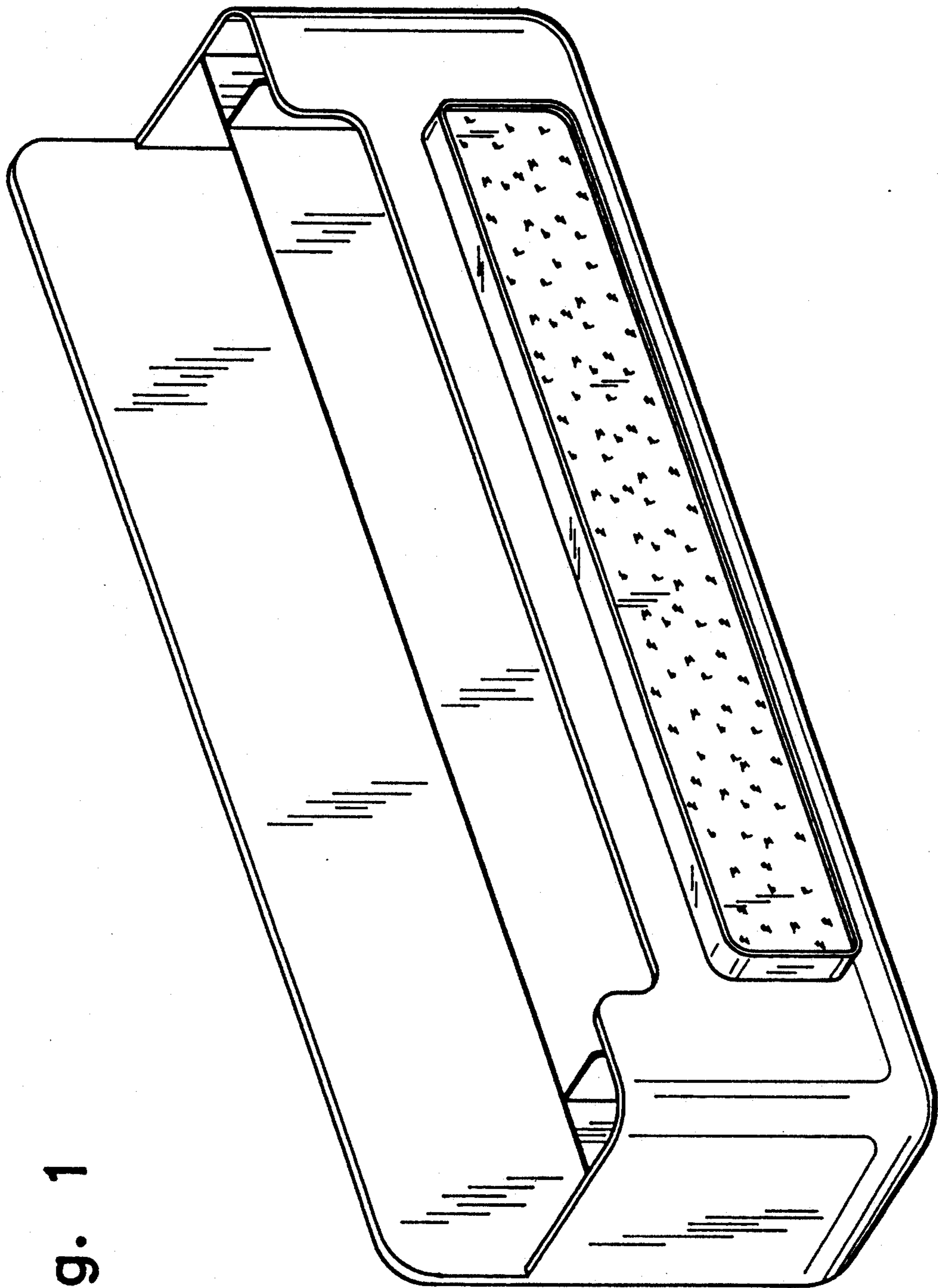


Fig. 1

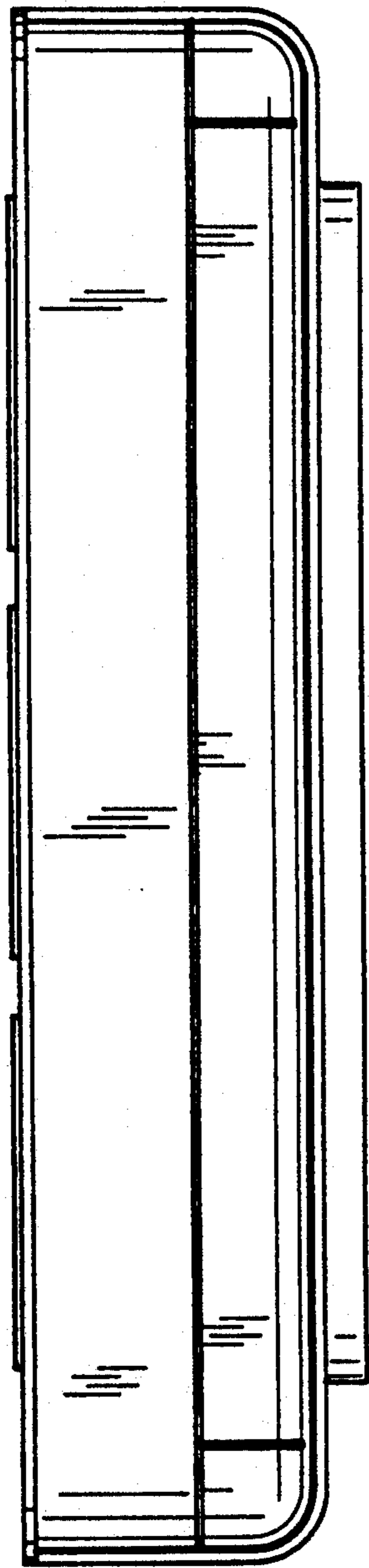


Fig. 4

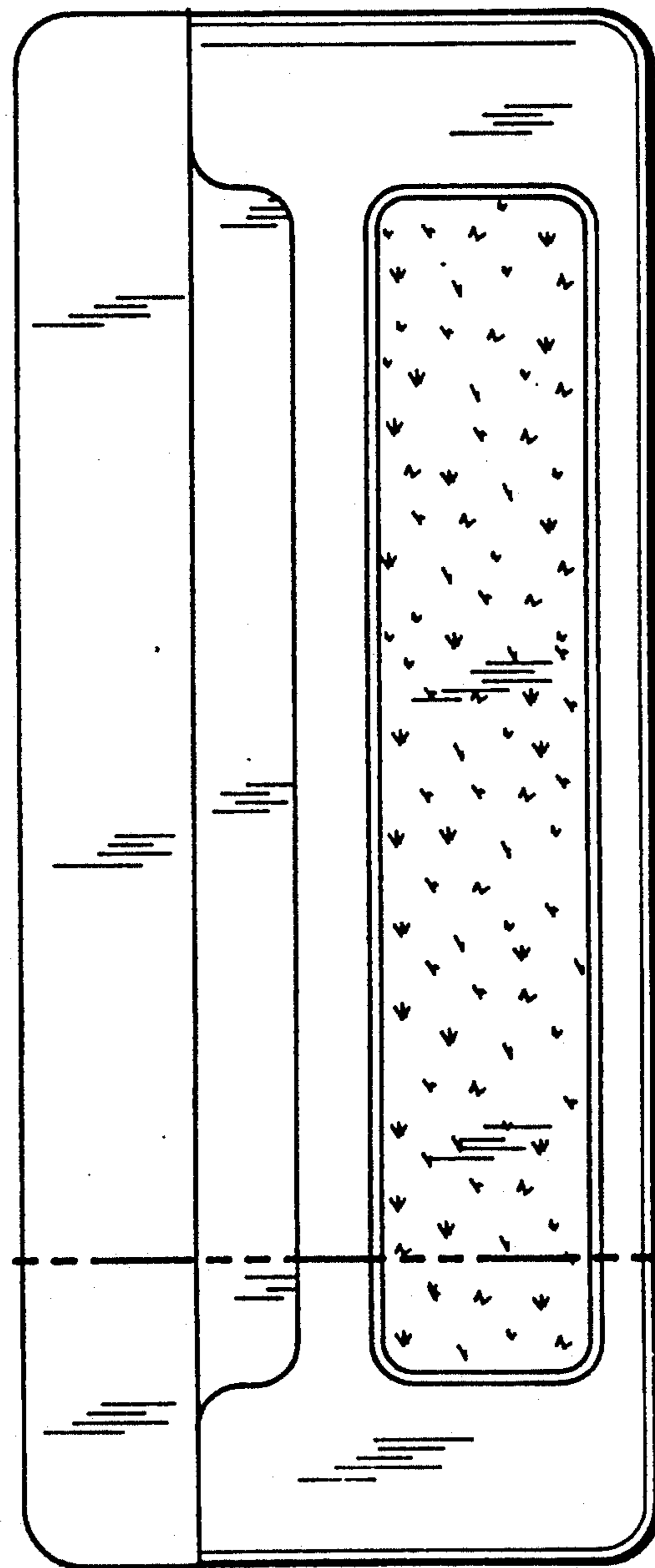


Fig. 2

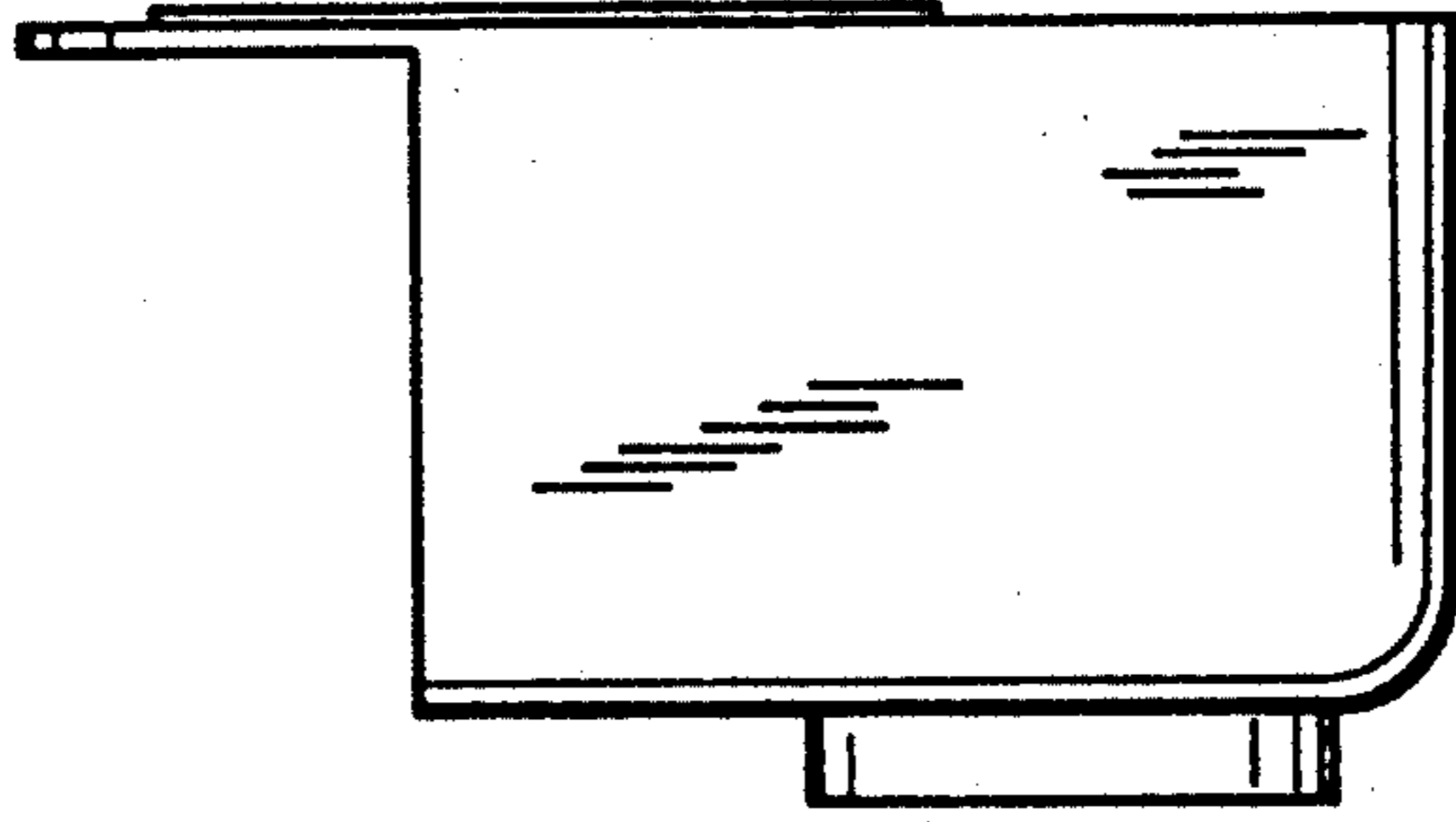


Fig. 3

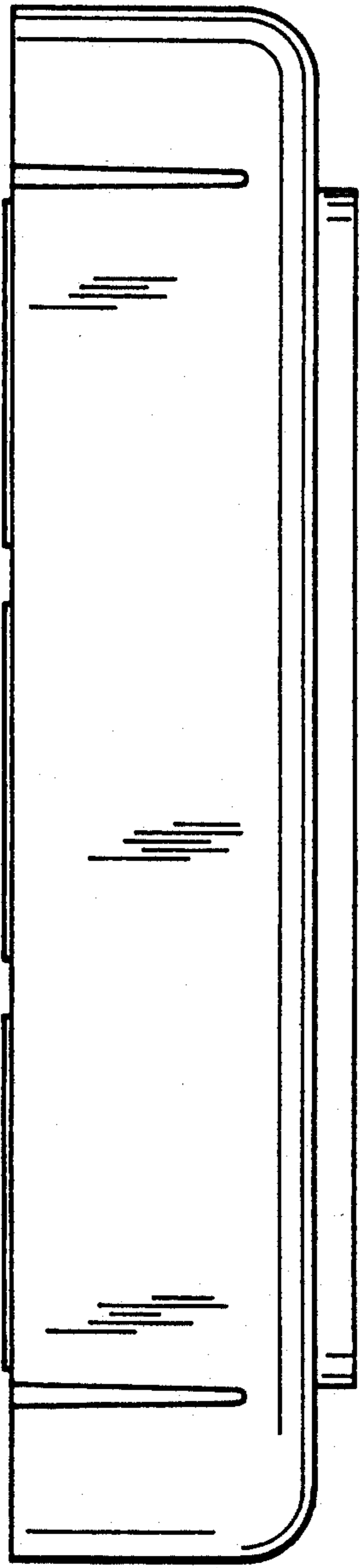


Fig. 5

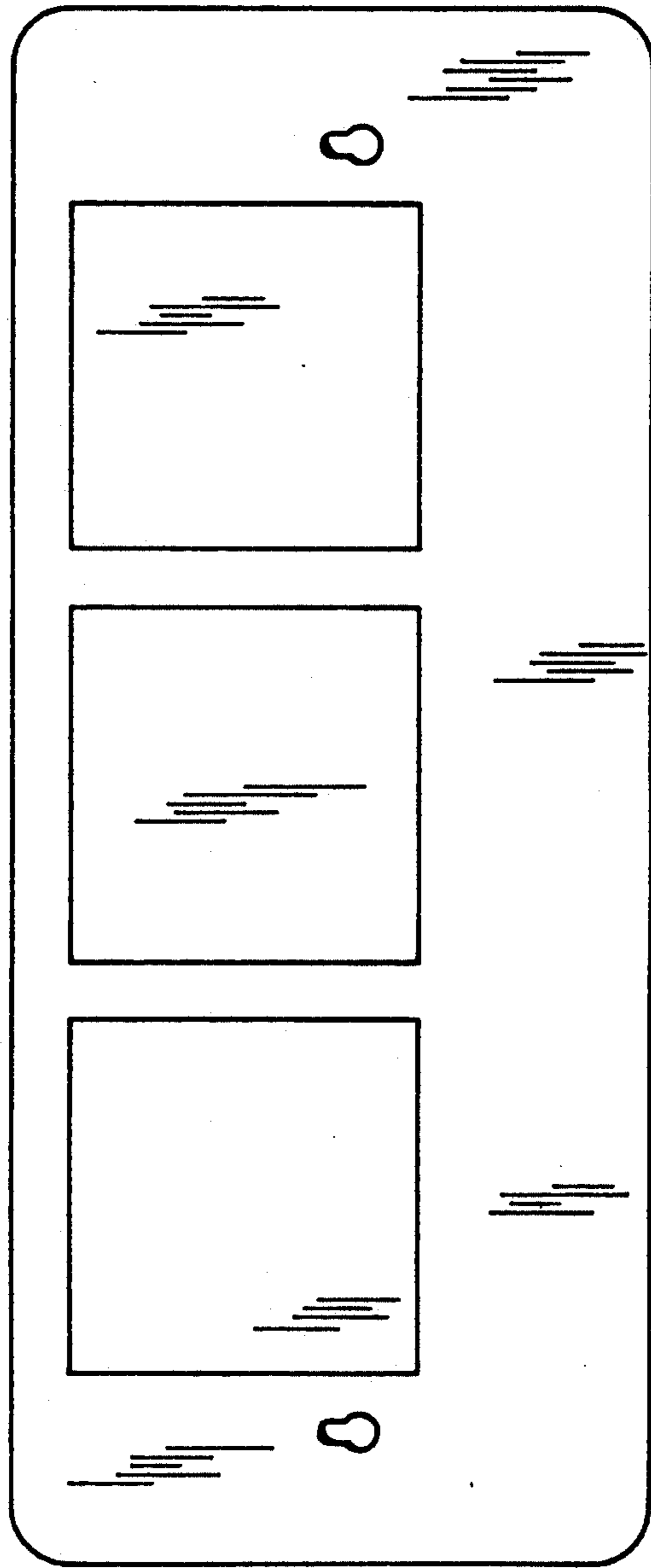


Fig. 6

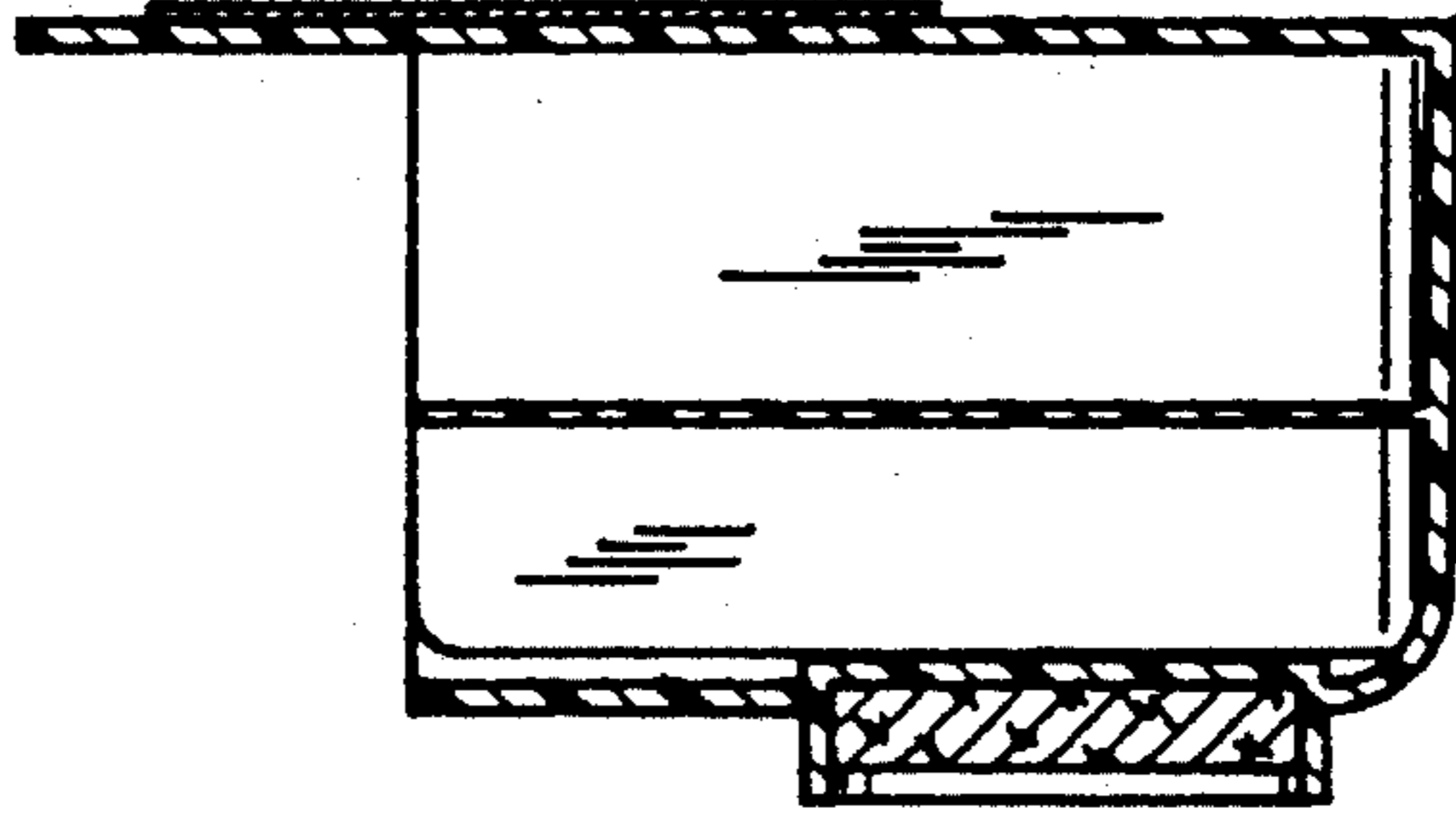


Fig. 7