



US00D339011S

United States Patent [19]

[11] Patent Number: Des. 339,011

Schubert

[45] Date of Patent: ** Sep. 7, 1993

[54] MODULAR PANEL FOR A COMPACT DISC RACK

[56] References Cited

[75] Inventor: Otto Schubert, Vienna, Austria

U.S. PATENT DOCUMENTS

[73] Assignee: Lift Verkaufsgerate-Gesellschaft m.b.H., Vienna, Austria

- D. 321,608 11/1991 Hay D6/407
- D. 326,378 5/1992 Yungler et al. D6/467
- D. 326,569 6/1992 Stravitz D6/407

[**] Term: 14 Years

Primary Examiner—Carmen H. Vales-Lado
Attorney, Agent, or Firm—Ladas & Parry

[21] Appl. No.: 732,684

[57] CLAIM

[22] Filed: Jul. 22, 1991

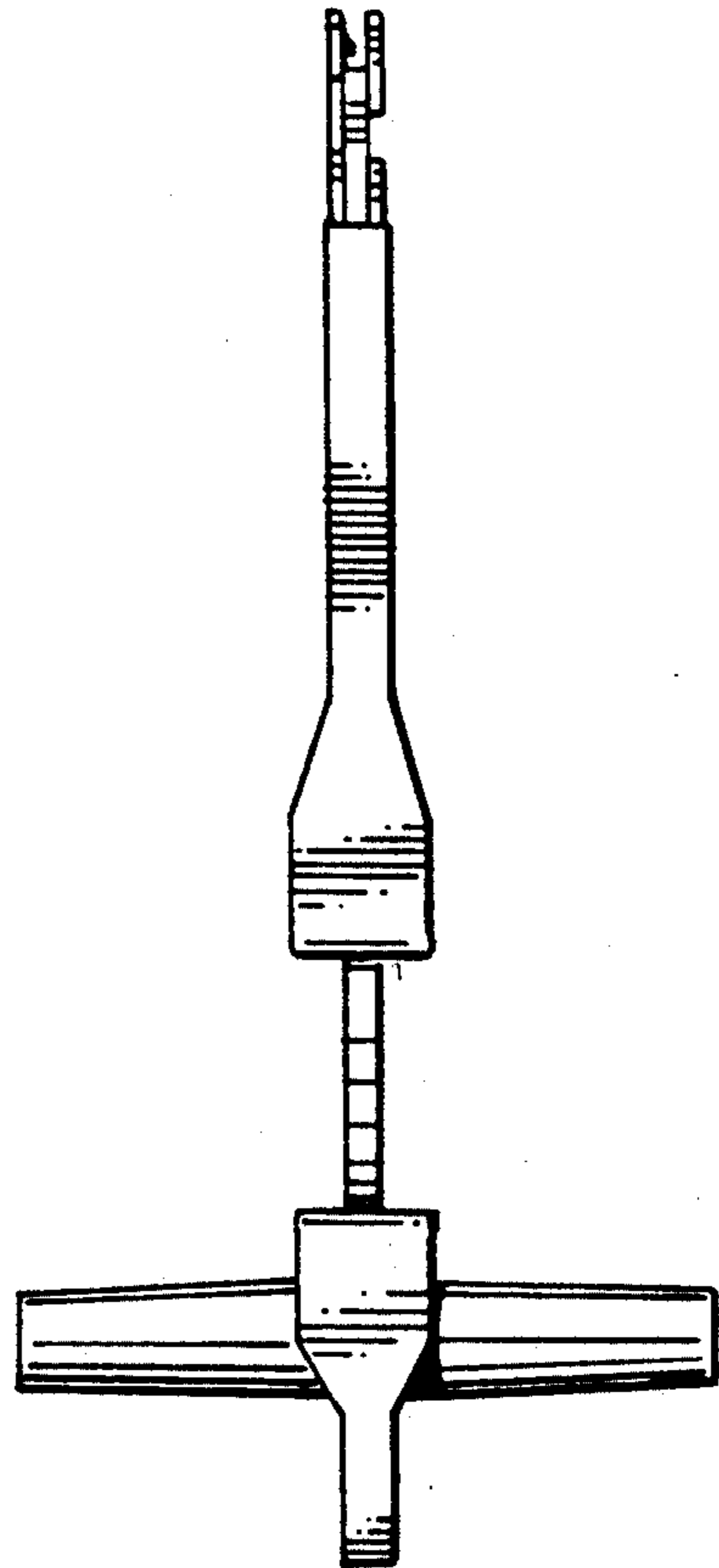
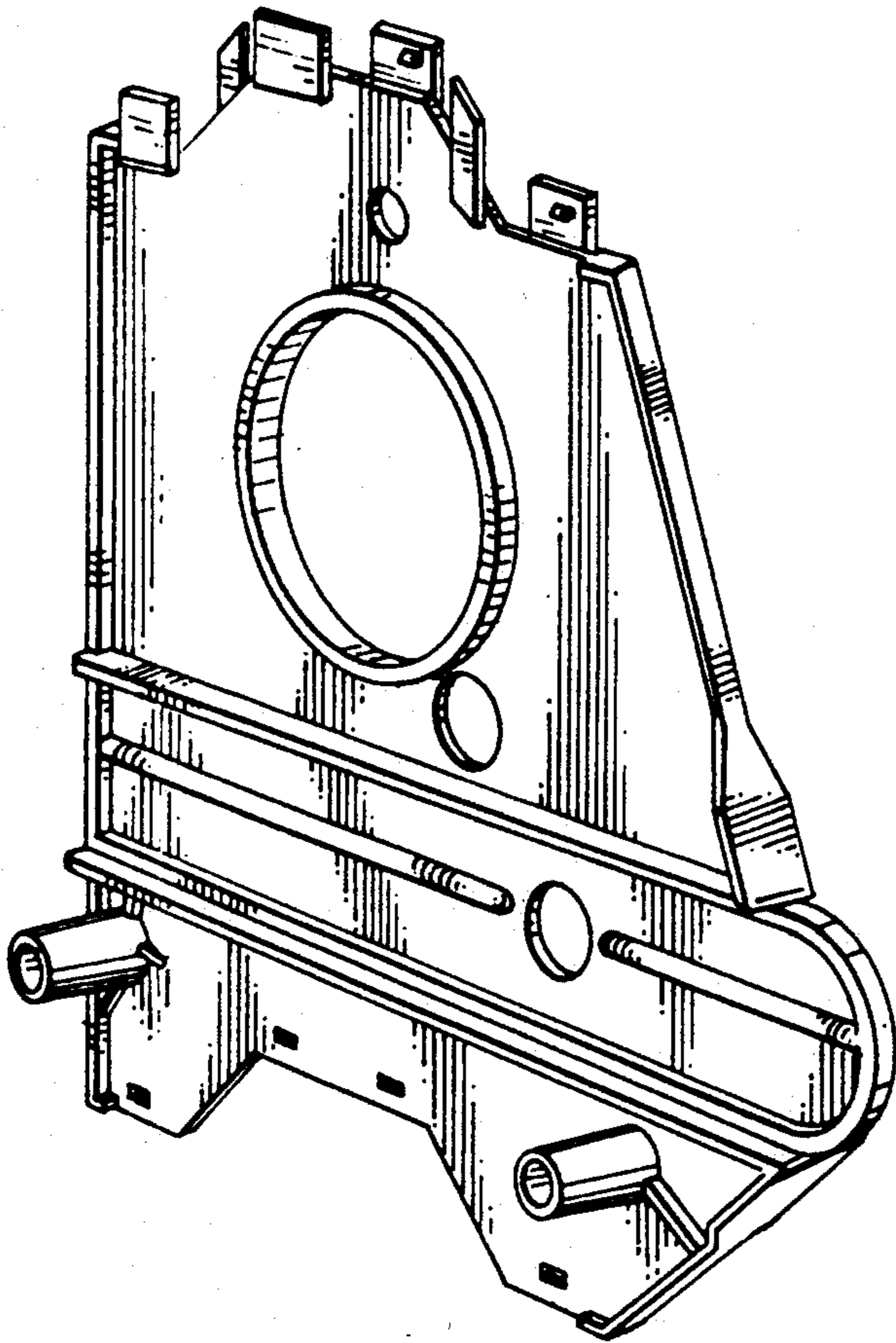
The ornamental design for a modular panel for a compact disc rack, as shown and described.

[30] Foreign Application Priority Data

DESCRIPTION

- Jan. 24, 1991 [AT] Austria MU 202/91
- [52] U.S. Cl. D6/492; D6/407
- [58] Field of Search D6/407, 449-467, D6/492; D3/35; 312/8-10, 12-15; 206/387; 211/40-42

FIG. 1 is a perspective view of a modular panel for a compact disc rack showing my new design; FIG. 2 is a front elevational view thereof; FIG. 3 is a rear elevational view thereof; and, FIG. 4 is a left side view thereof; the right side view being a mirror image thereof.



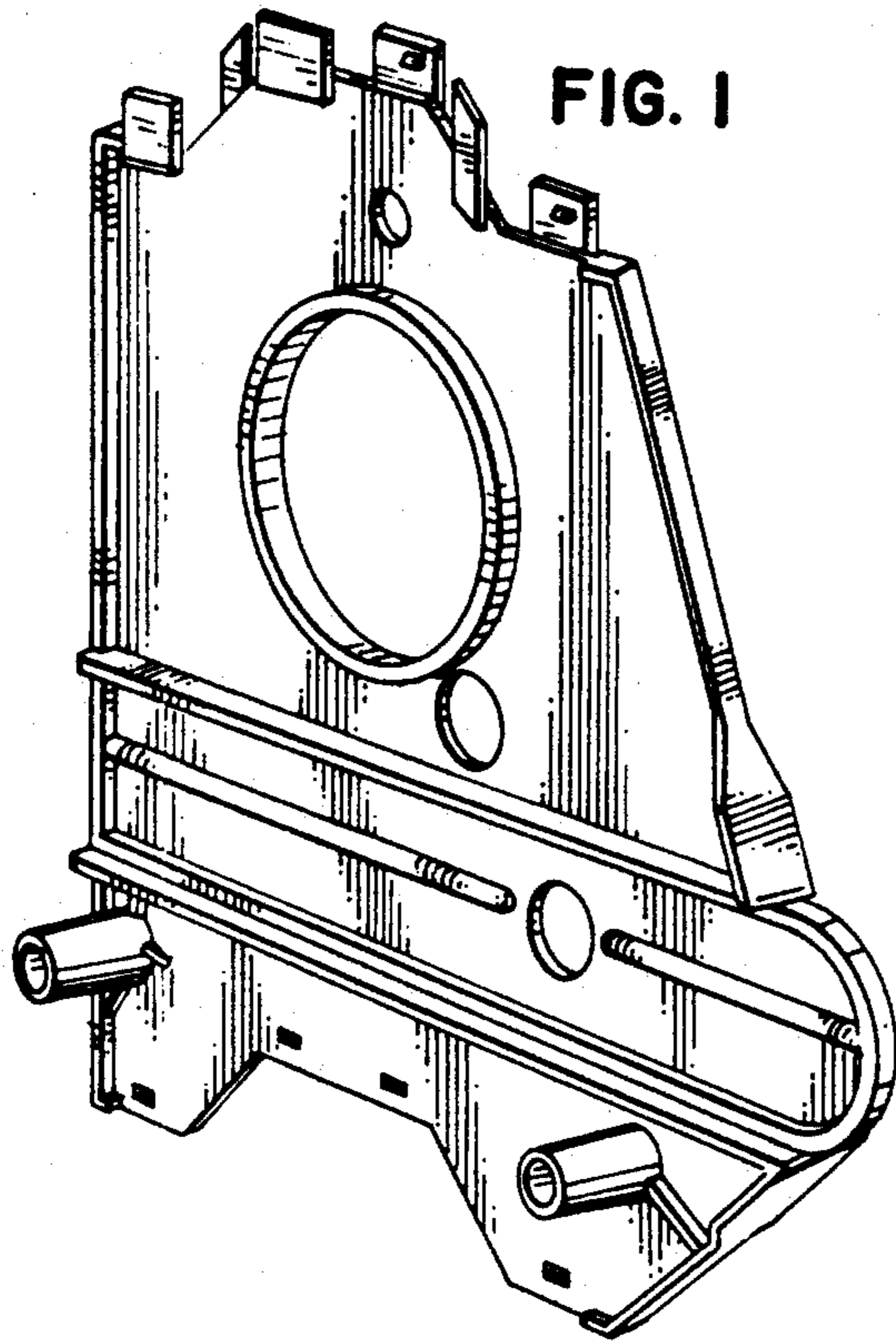


FIG. 1

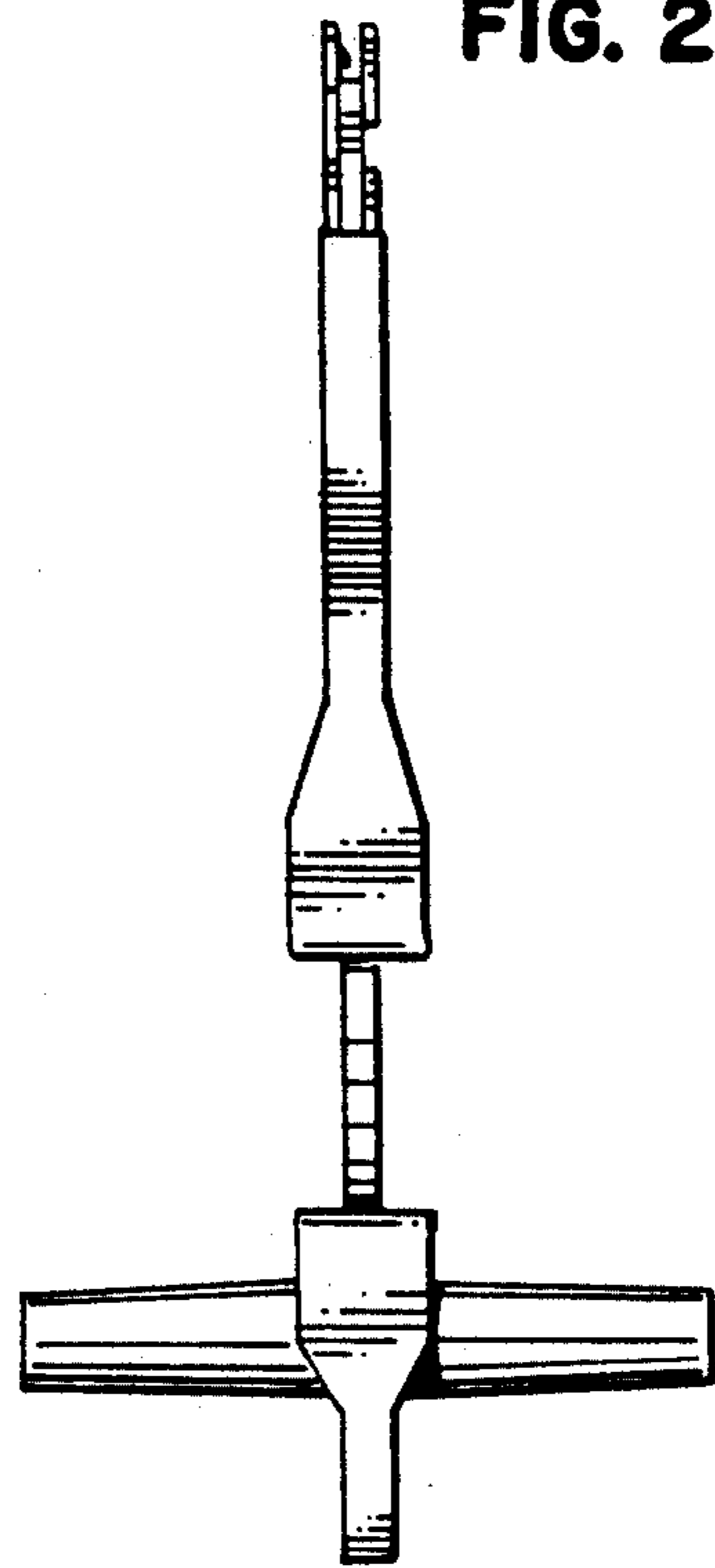


FIG. 2

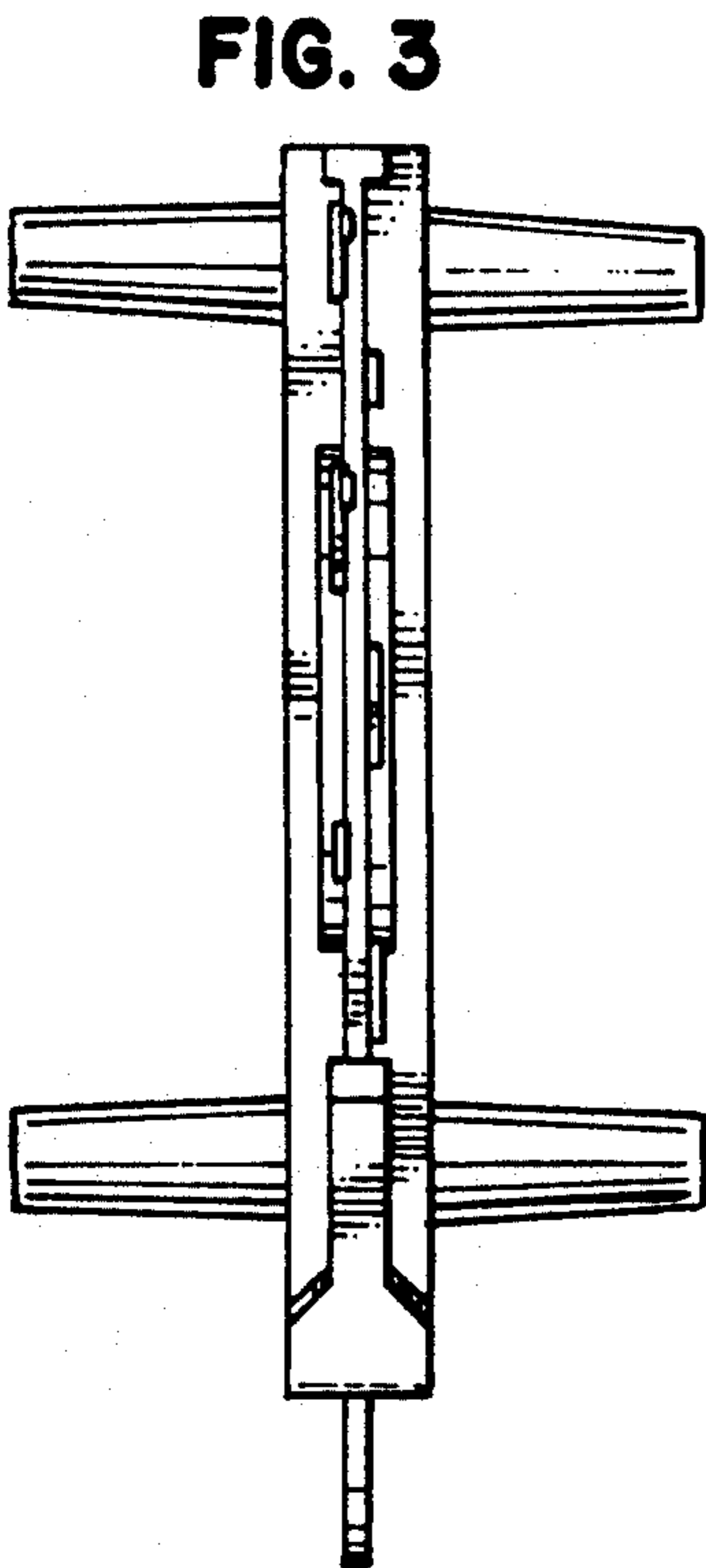


FIG. 3

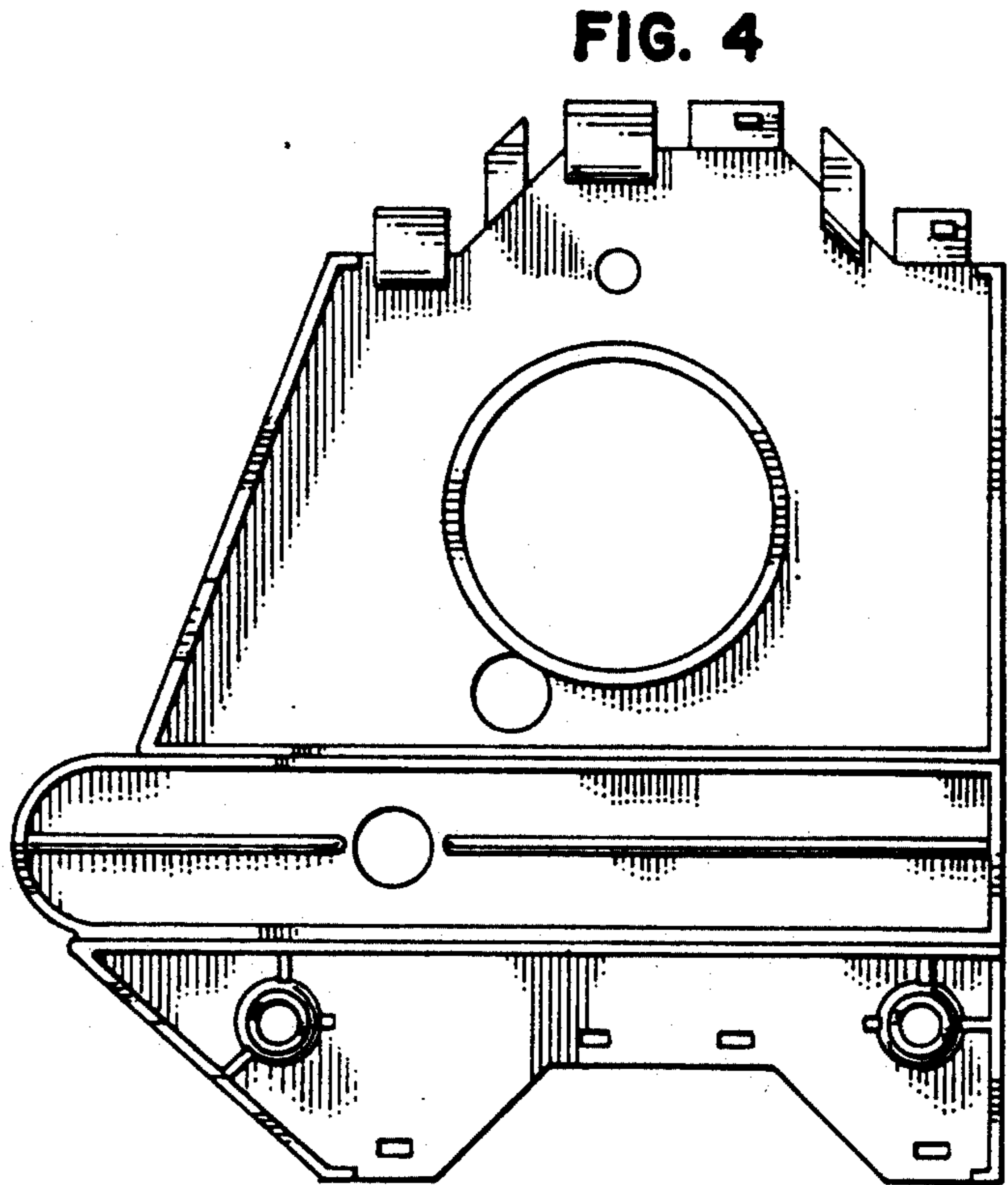


FIG. 4