



US00D339010S

United States Patent [19]

[11] Patent Number: **Des. 339,010**

Blumlein et al.

[45] Date of Patent: **** Sep. 7, 1993**

[54] **TELEPHONE ENCLOSURE**

D. 304,002 10/1989 Nichols et al. D6/421
D. 304,134 10/1989 Griffiths D6/421

[75] Inventors: **Frederick J. Blumlein**, Port Washington; **Fabian W. Diaz**, Richmond Hill; **William A. Arbizu**, Queens Village, all of N.Y.

Primary Examiner—Carmen H. Vales-Lado
Attorney, Agent, or Firm—Galgano & Belkin

[73] Assignee: **Blumlein Associates, Inc.**, Greenvale, N.Y.

[57] **CLAIM**

The ornamental design for a telephone enclosure, as shown and described.

[**] Term: **14 Years**

DESCRIPTION

[21] Appl. No.: **787,329**

[22] Filed: **Nov. 1, 1991**

[52] U.S. Cl. **D6/421**

[58] Field of Search **D25/16; D6/421, 351, D6/358; 312/223.4, 100, 204; 52/27, 36**

FIG. 1 is a perspective view of a telephone enclosure showing our new design, the broken line showing of a telephone, telephone directory and pivotal directory support is for illustrative purposes only and form no part of the claimed design;

FIG. 2 is a front elevational view thereof;

FIG. 3 is a side elevational view thereof, the other side of the enclosure being a mirror image thereof;

FIG. 4 is a top plan view thereof;

FIG. 5 is a rear elevational view thereof; and,

FIG. 6 is a bottom plan view thereof.

[56] **References Cited**

U.S. PATENT DOCUMENTS

D. 248,430 7/1978 Bussey et al. D6/351
D. 284,430 7/1986 Satterfield D6/450

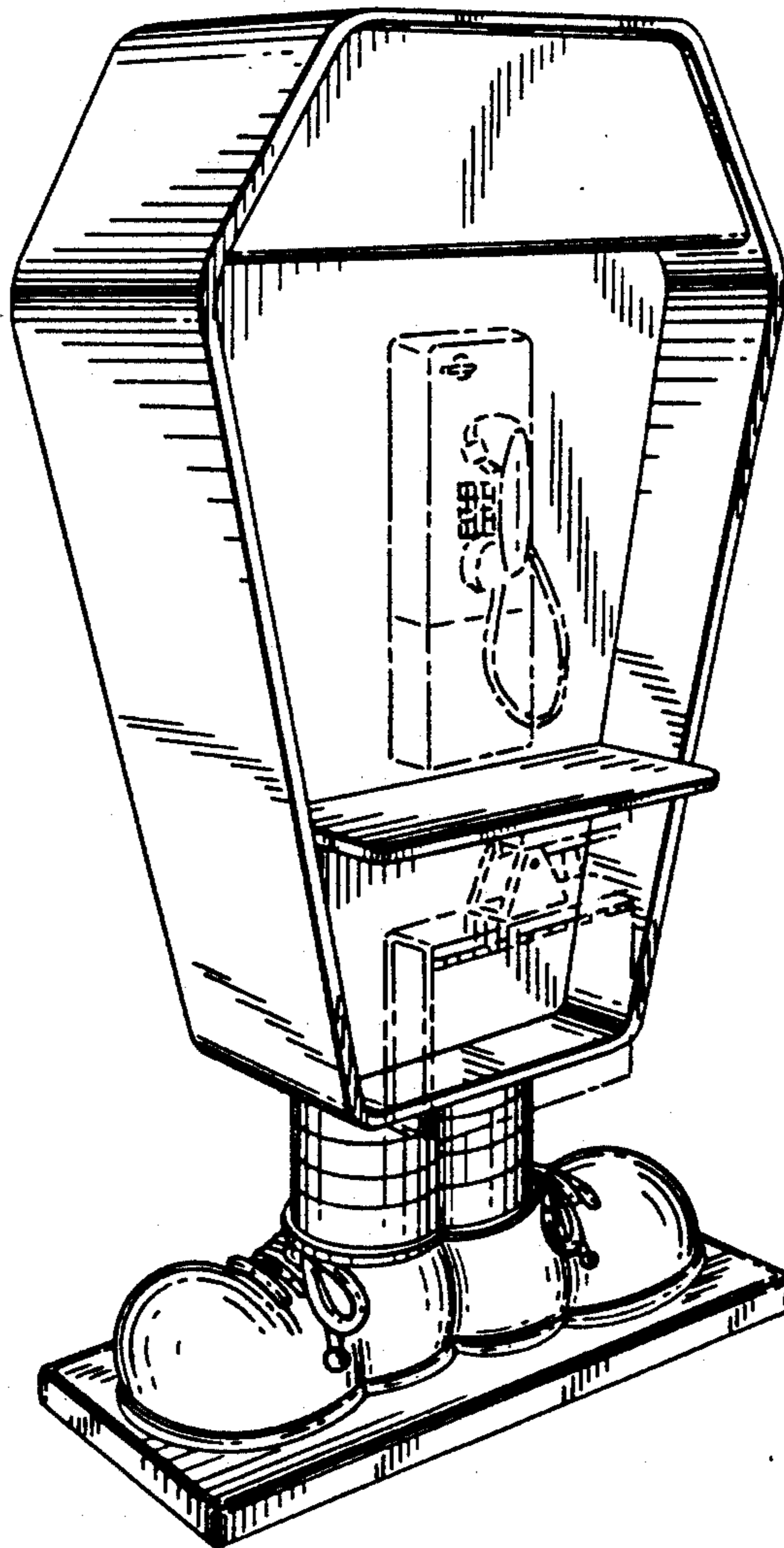
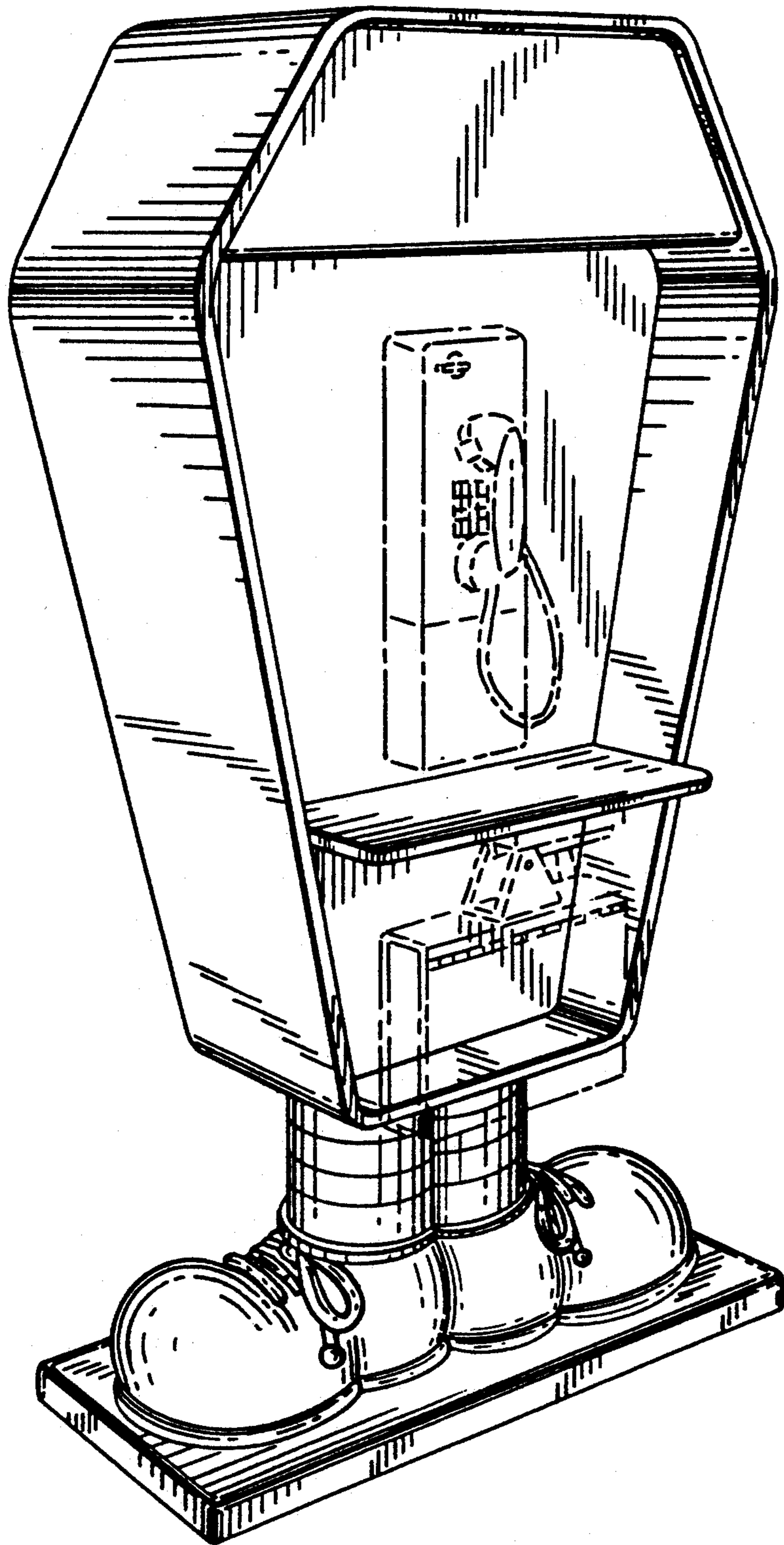


FIG. 1



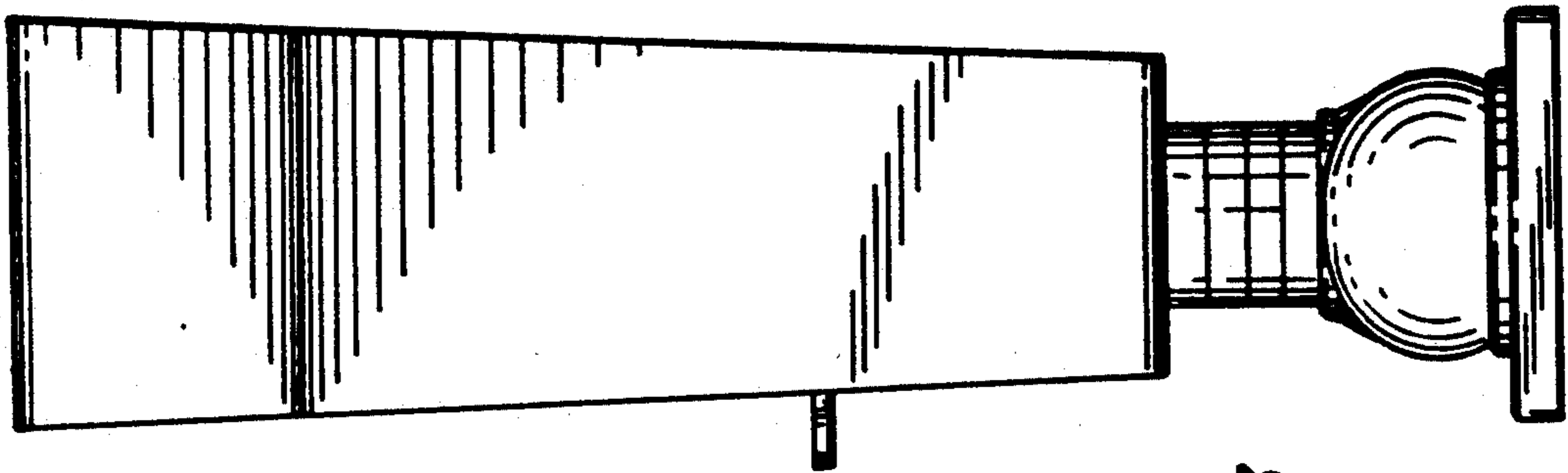


FIG. 3

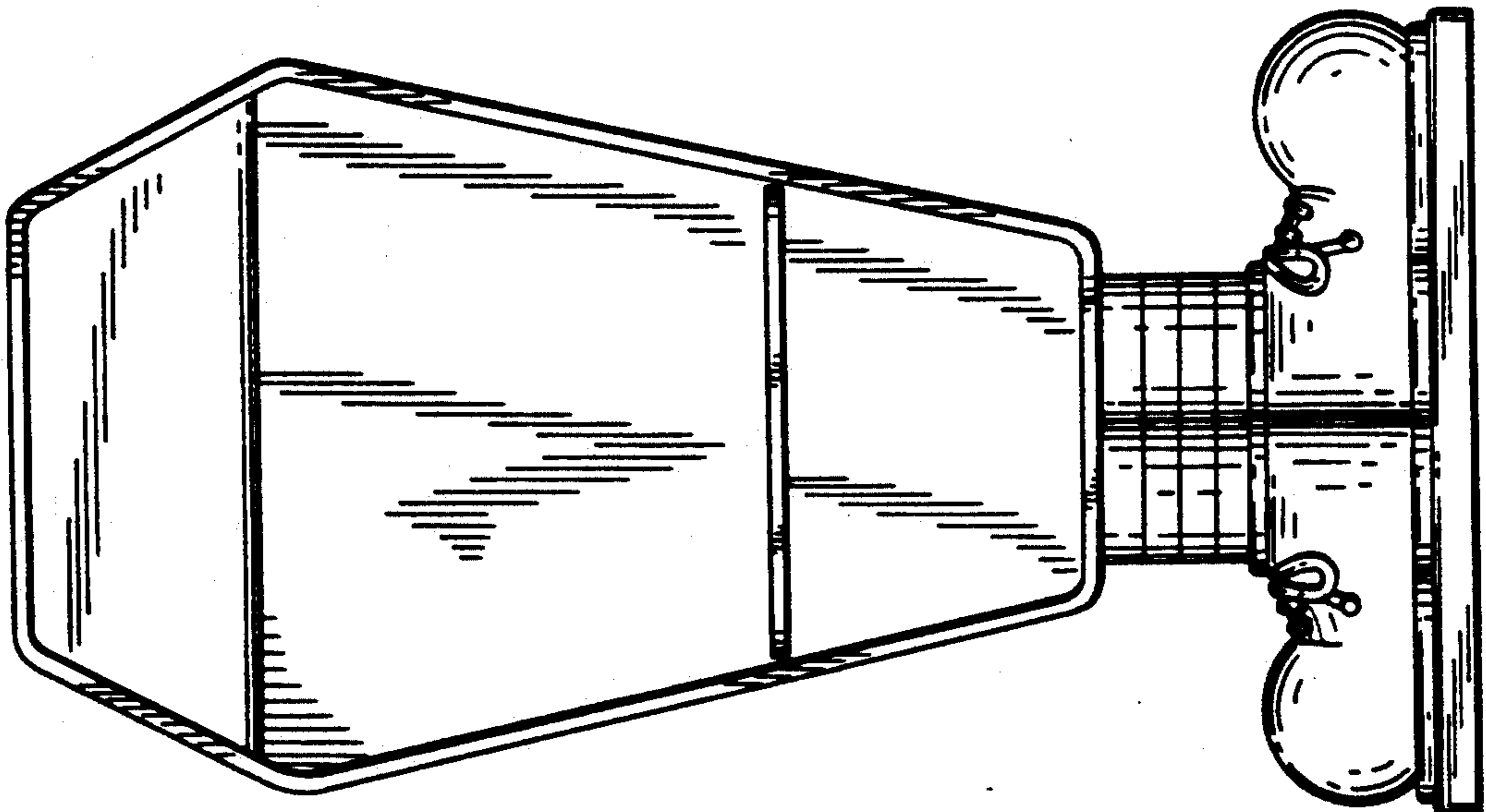


FIG. 2

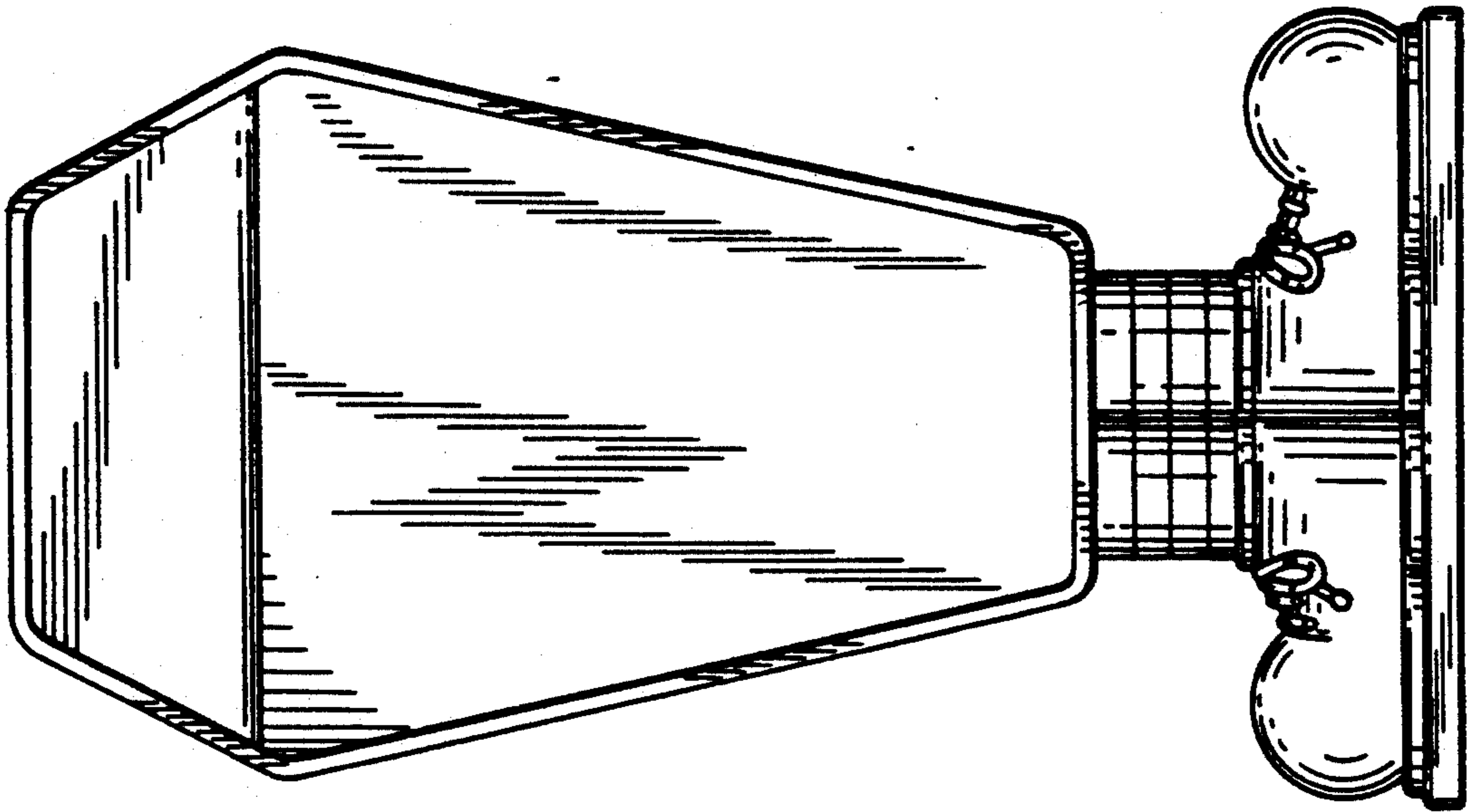


FIG. 5

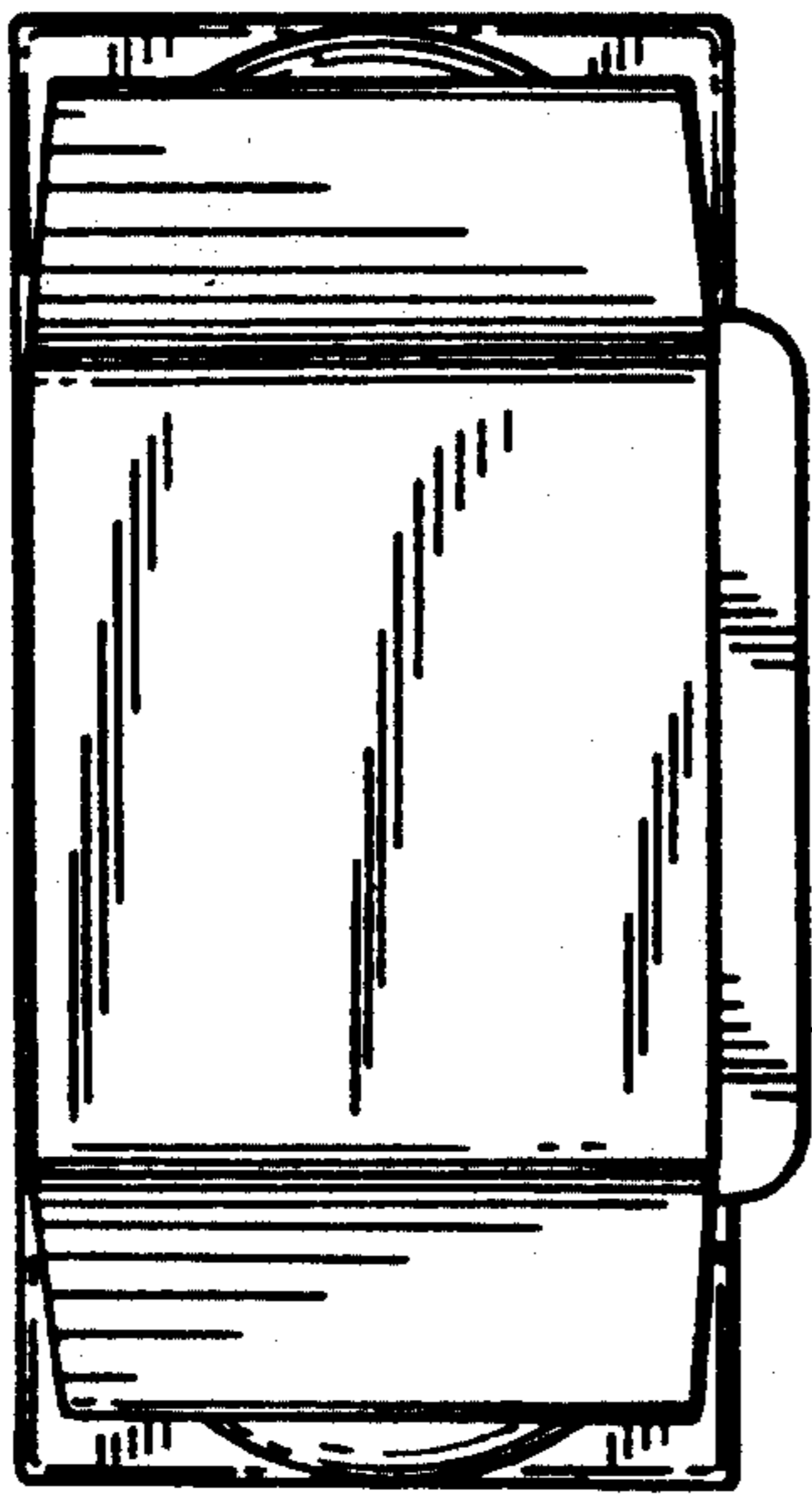


FIG. 4

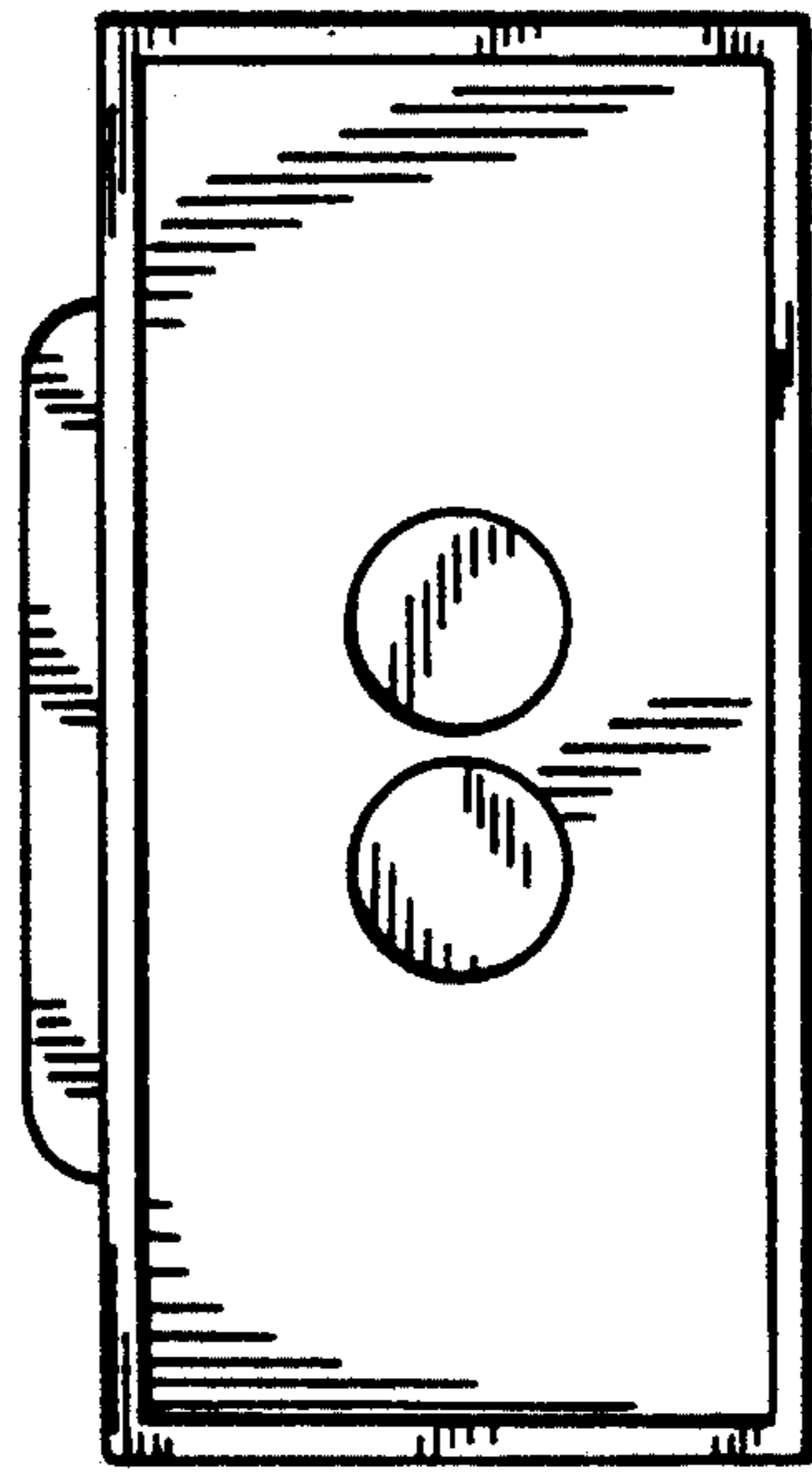


FIG. 6