



US00D339001S

United States Patent [19]

[11] Patent Number: **Des. 339,001**

Schiffman

[45] Date of Patent: **** Sep. 7, 1993**

[54] **CHILD'S ACTIVITY ROCKER**

[56] **References Cited**

[75] Inventor: **Alvin Schiffman, Palm Beach, Fla.**

U.S. PATENT DOCUMENTS

D. 150,088	6/1948	Meyer et al.	D6/348 X
D. 248,516	7/1978	Johansson	D6/339 X
D. 330,842	11/1992	Meeker et al.	D6/333
D. 333,060	2/1993	Perego	D6/339 X

[73] Assignee: **Jis, Inc., Boca Raton, Fla.**

Primary Examiner—Alan P. Douglas
Assistant Examiner—Gary D. Watson
Attorney, Agent, or Firm—Howard C. Miskin

[**] Term: **14 Years**

[57] **CLAIM**

[21] Appl. No.: **731,914**

The ornamental design for a child's activity rocker, as shown.

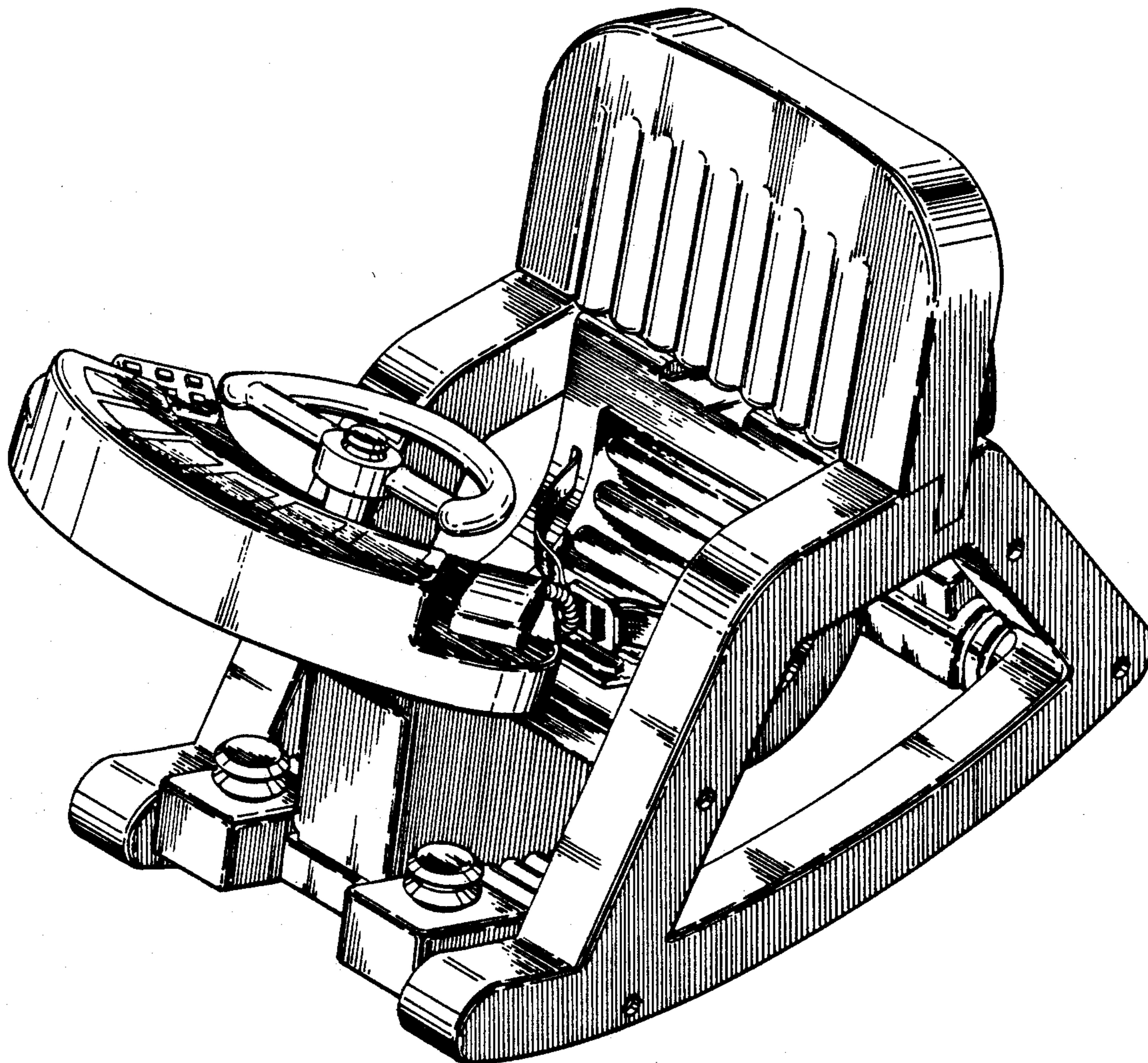
[22] Filed: **Jul. 18, 1991**

DESCRIPTION

[52] U.S. Cl. **D6/348; D6/333; D6/335; D6/338**

FIG. 1 is a pictorial view of the rocker;
FIG. 2 is a top view of the rocker;
FIG. 3 is a right side view of the rocker;
FIG. 4 is a front view of the rocker; and,
FIG. 5 is a rear view of the rocker.

[58] Field of Search **D6/334, 335, 336, 338, D6/339, 345, 348, 360, 374, 375, 379, 500, 501, 502; D21/123; 297/181, 258**



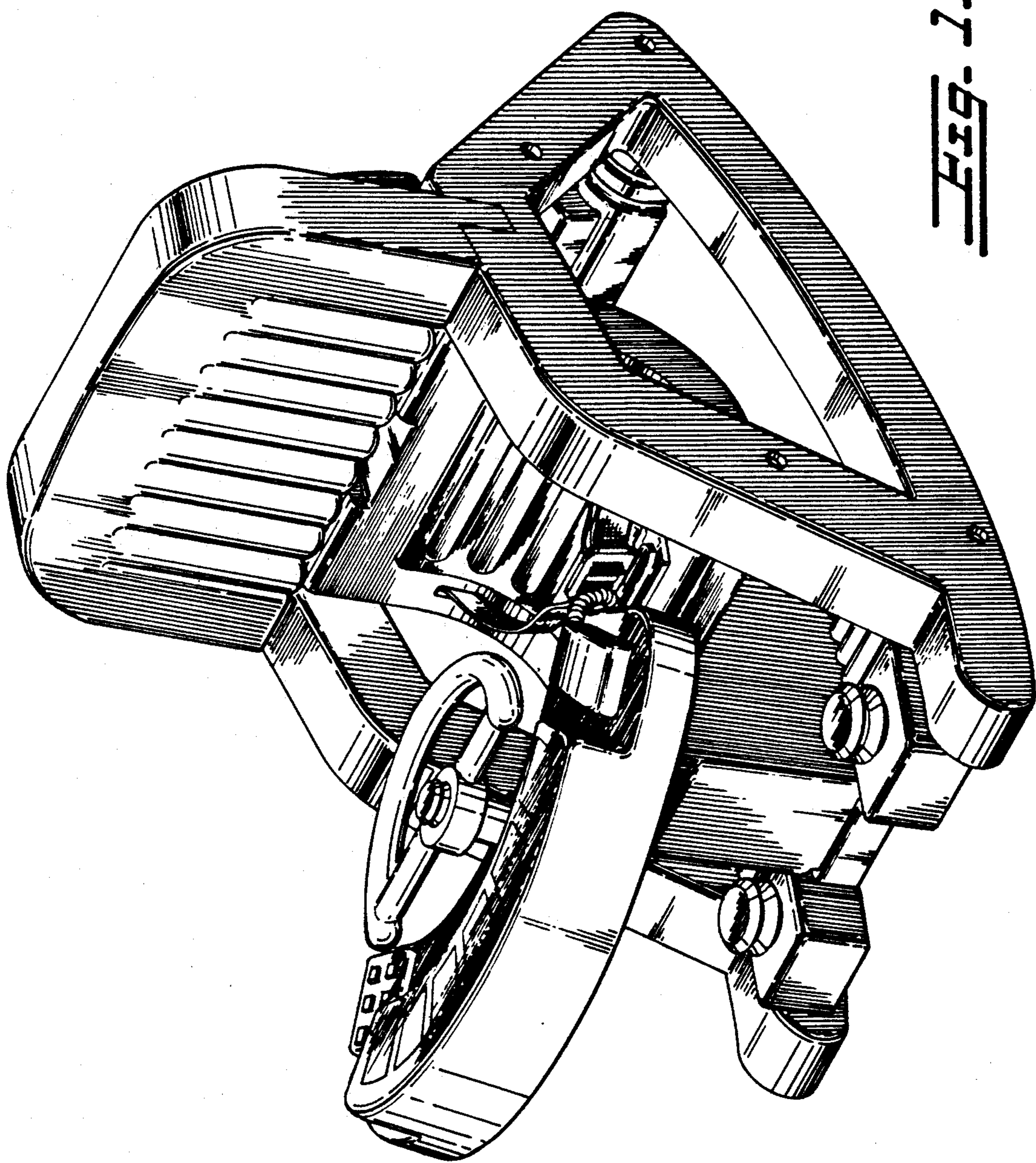


FIG. 1

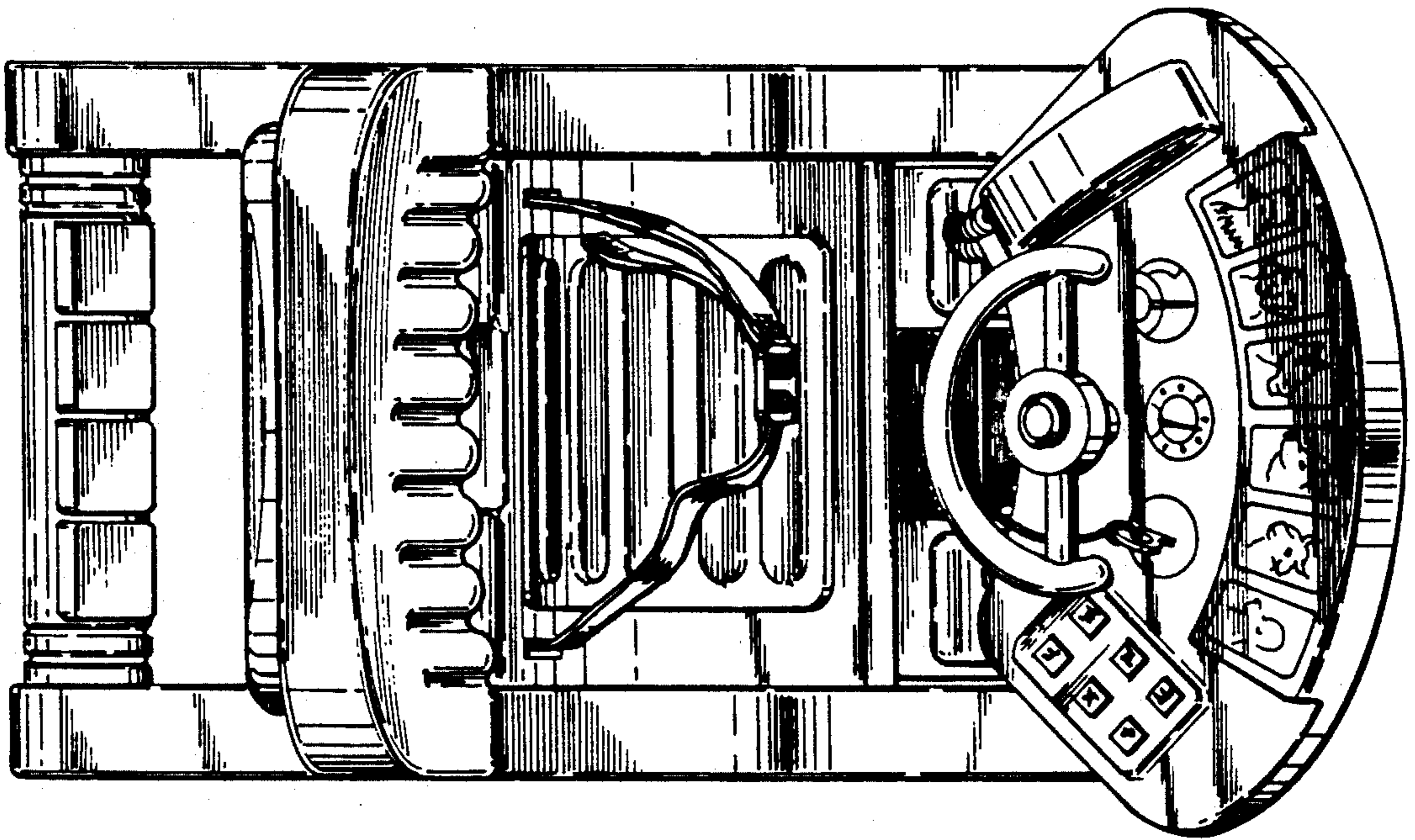


Fig. 2.

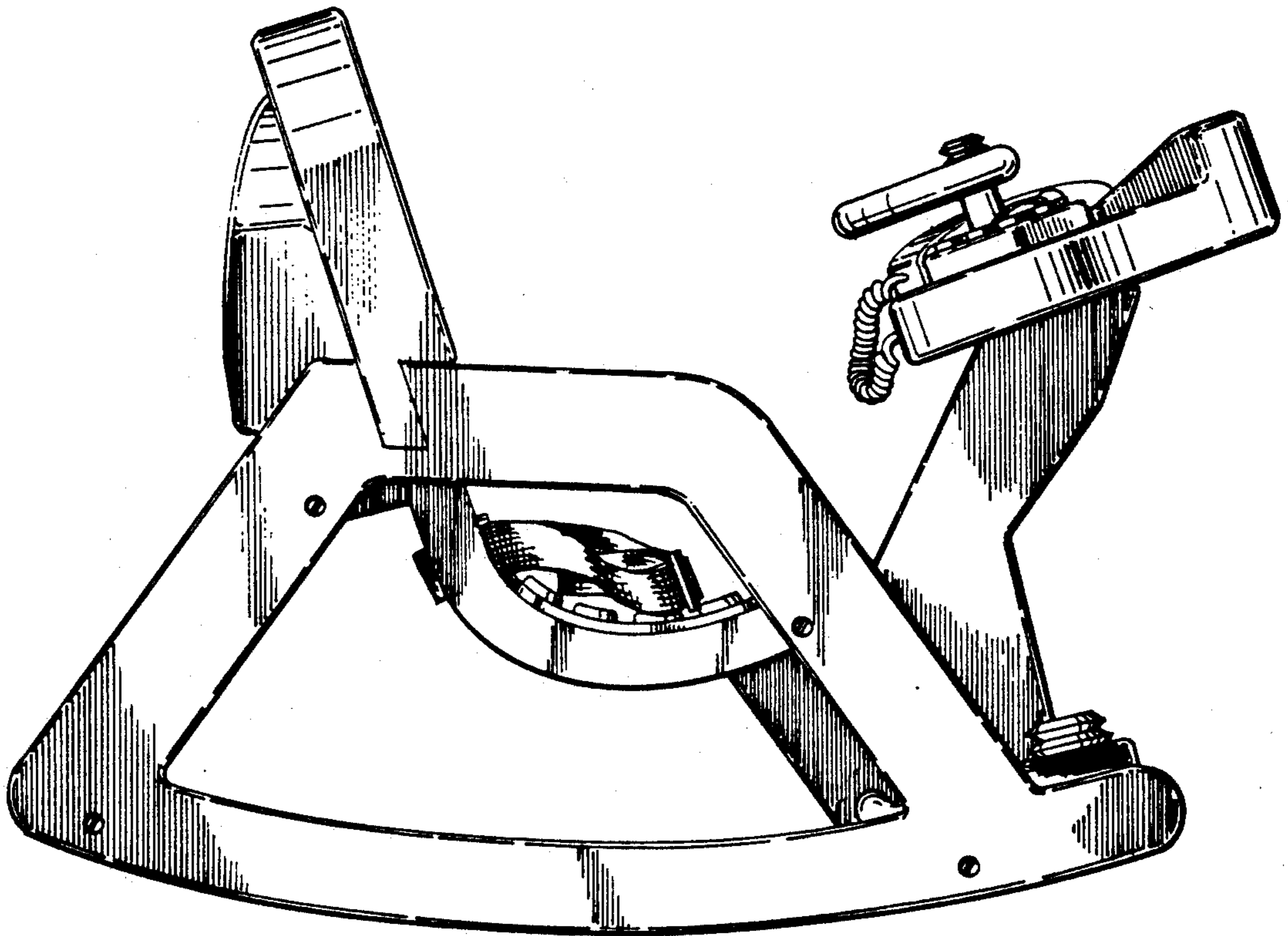


Fig. 3.

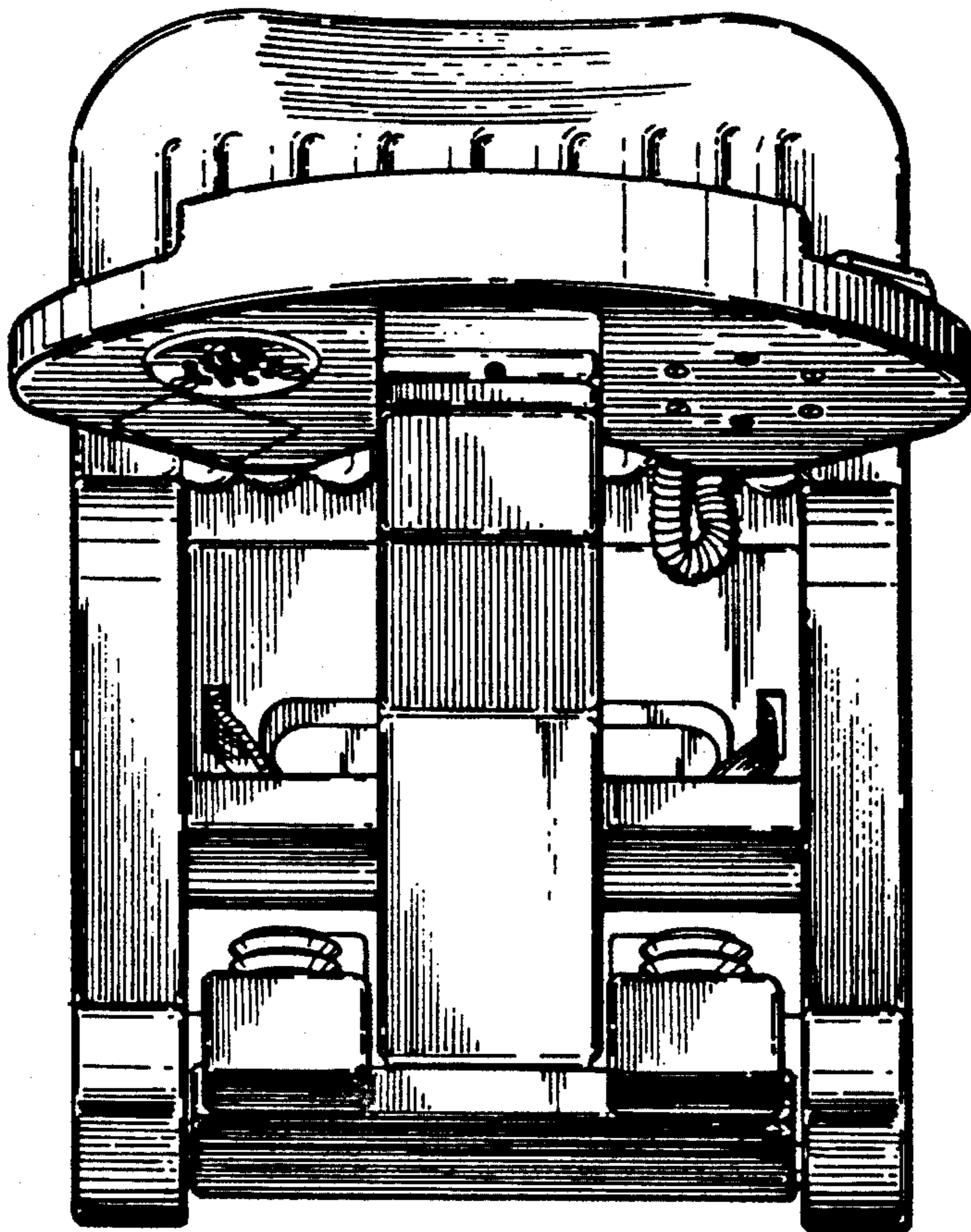


Fig. 4.

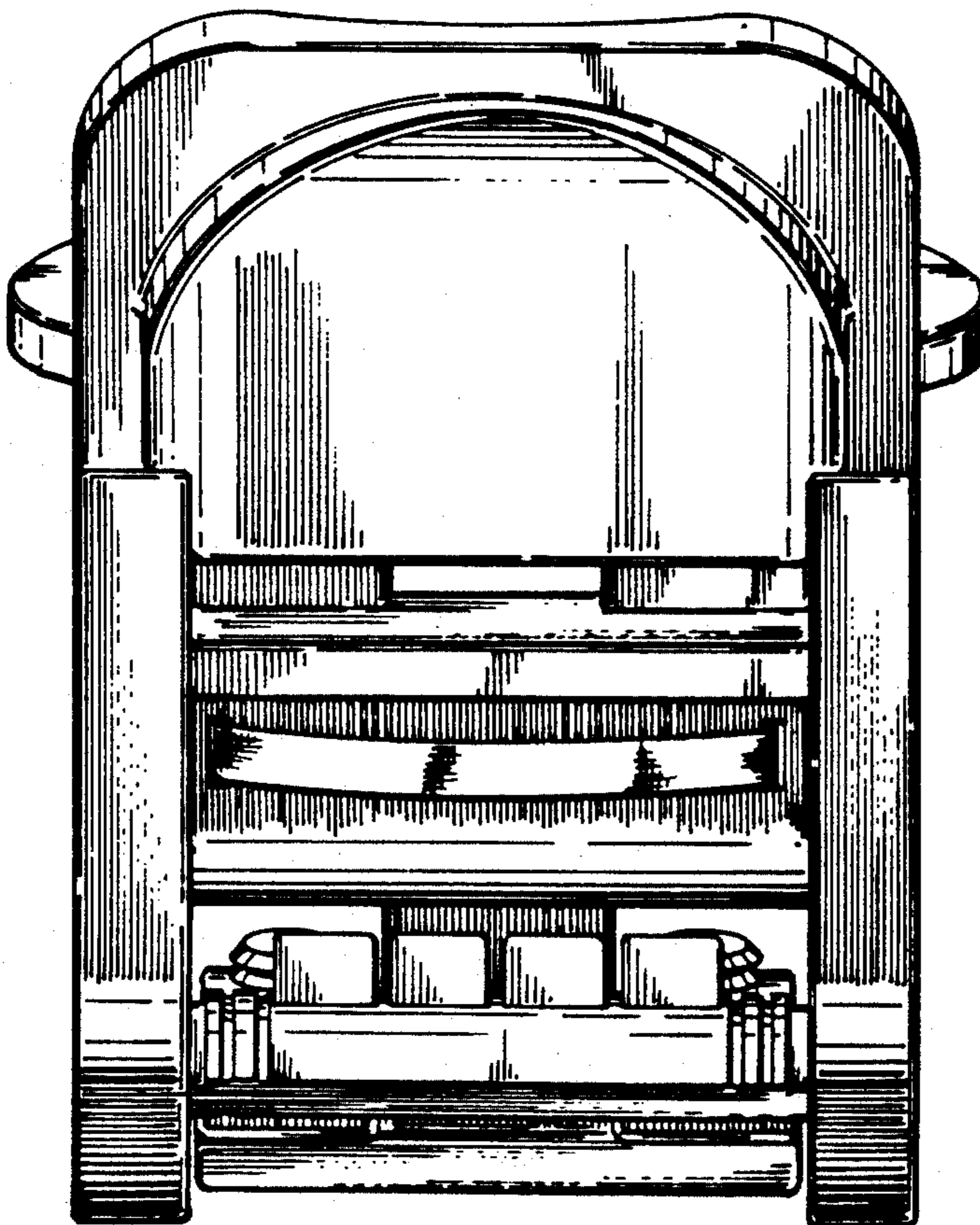


Fig. 5.