



US00D338988S

United States Patent [19]

[11] Patent Number: **Des. 338,988**

Dahl

[45] Date of Patent: **** Aug. 31, 1993**

[54] **JUG WASHING DEVICE**

[76] Inventor: **Douglas C. Dahl**, RR 3, Box 211,
Petersburg, Ill. 62675

[**] Term: **14 Years**

[21] Appl. No.: **485,734**

[22] Filed: **Feb. 27, 1990**

[52] U.S. Cl. **D32/1**

[58] Field of Search **D32/1, 25; 134/104.1,
134/166 R, 169 R, 171, 186, 199, 168 R**

[56] **References Cited**

U.S. PATENT DOCUMENTS

D. 211,901	8/1968	Pingatore	D32/1
D. 239,048	3/1976	Hewett	D32/1
D. 249,043	8/1978	McMullen	D32/1
D. 302,611	8/1989	Stem	D32/1
D. 303,854	10/1989	Linton	D32/1

D. 305,371	1/1990	Stern	D32/1
4,854,336	8/1989	Byzitter	134/166 R

Primary Examiner—Ruth McInroy
Attorney, Agent, or Firm—Richard C. Litman

[57] **CLAIM**

The ornamental design for a jug washing device, as shown and described.

DESCRIPTION

FIG. 1 is a top left perspective view of a jug washing device showing my new design, the jug shown in broken lines is for illustrative purposes only and forms no part of the claimed design;

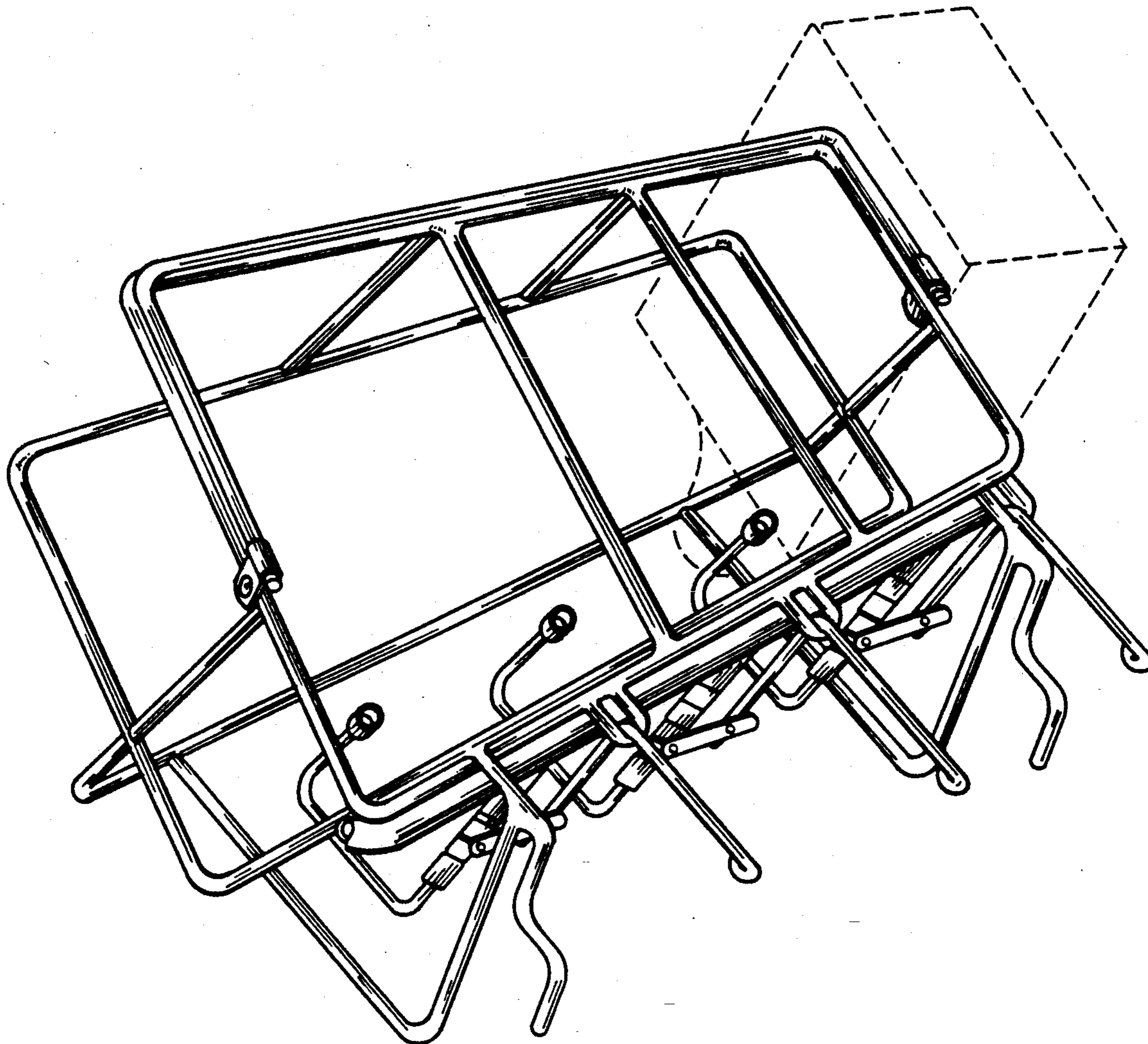
FIG. 2 is a top perspective view thereof;

FIG. 3 is a top plan view thereof;

FIG. 4 is a bottom front perspective view thereof;

FIG. 5 is a left side elevational view thereof; and,

FIG. 6 is a right side elevational view thereof.



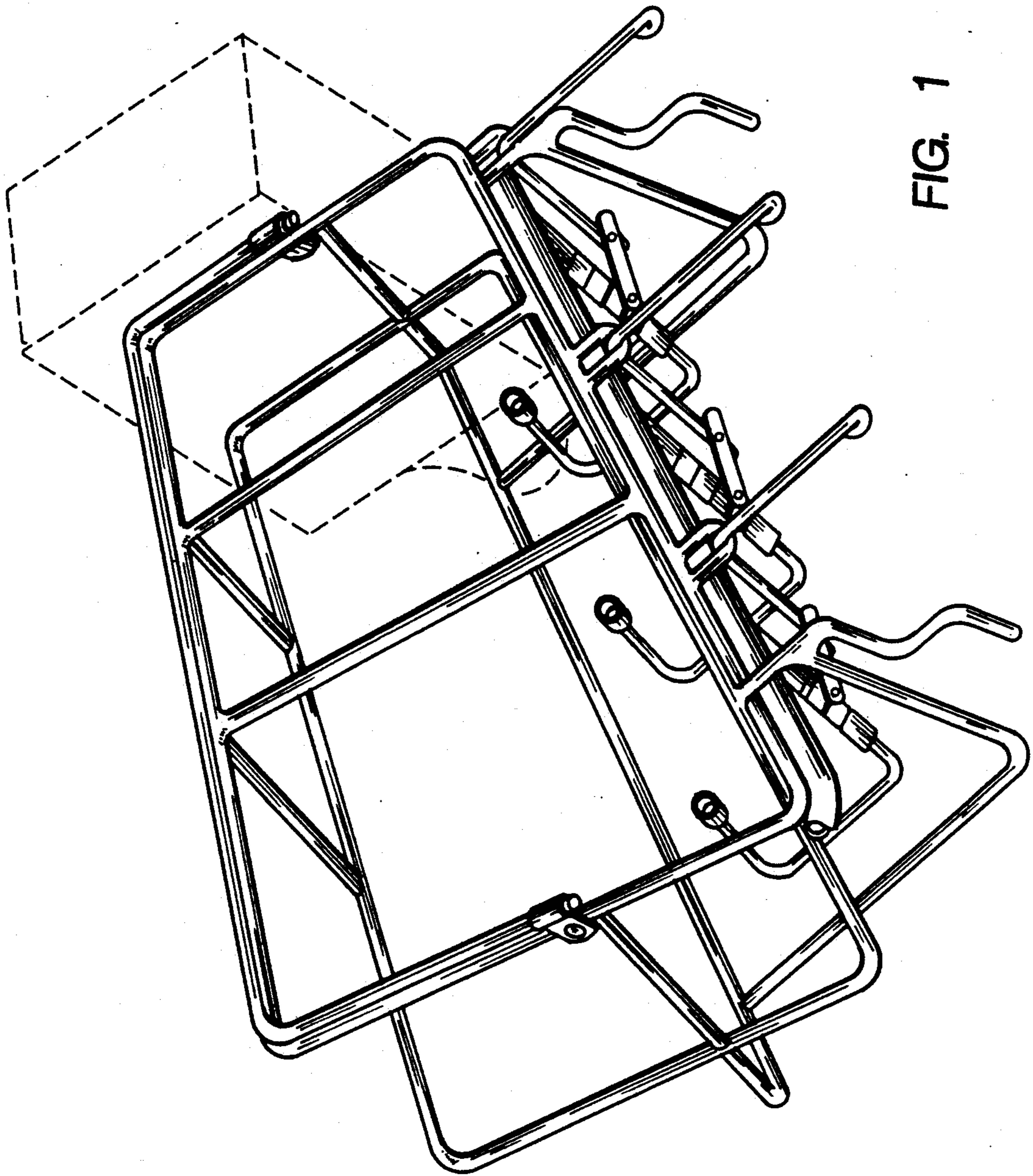


FIG. 1

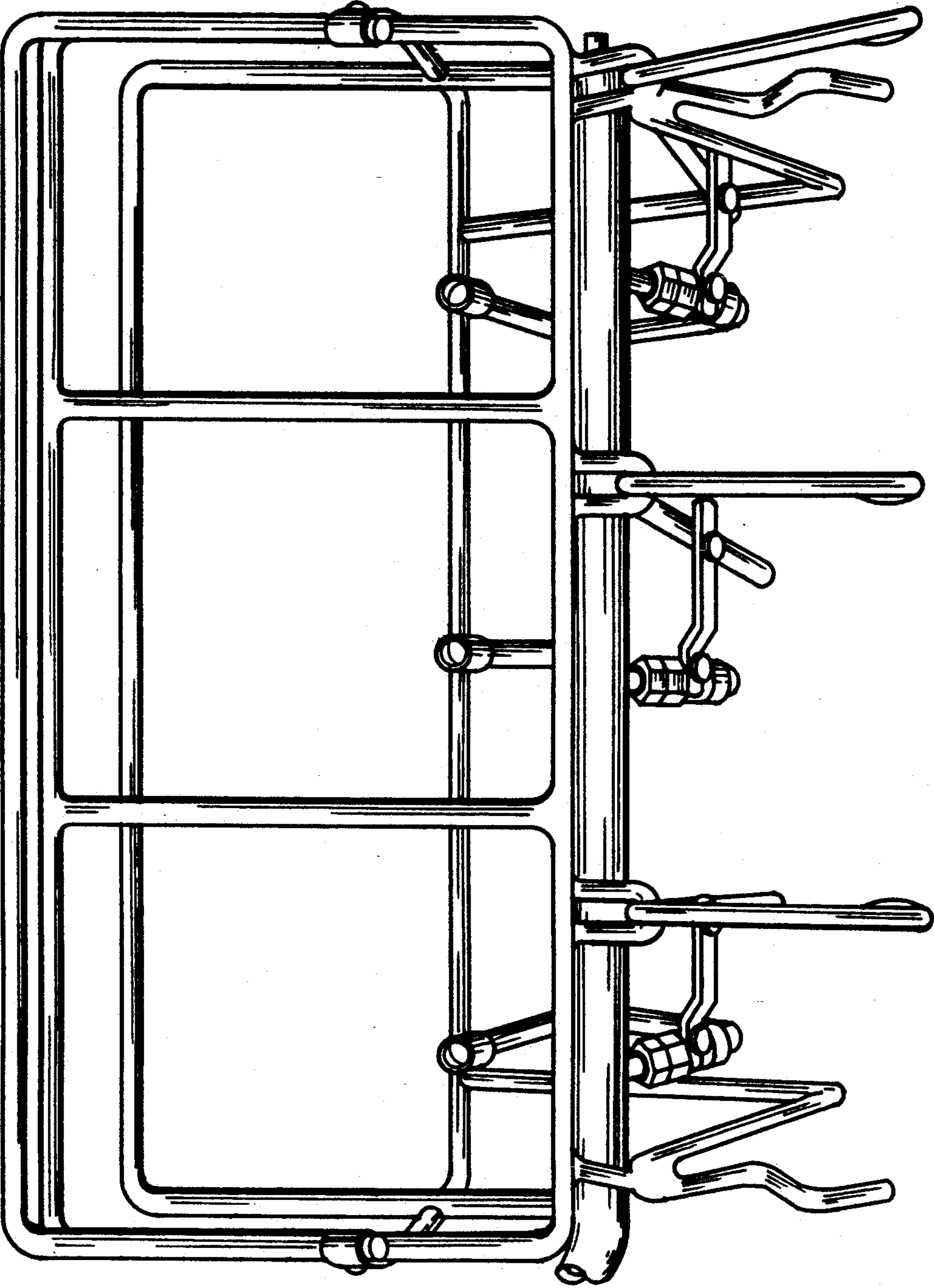


FIG. 2

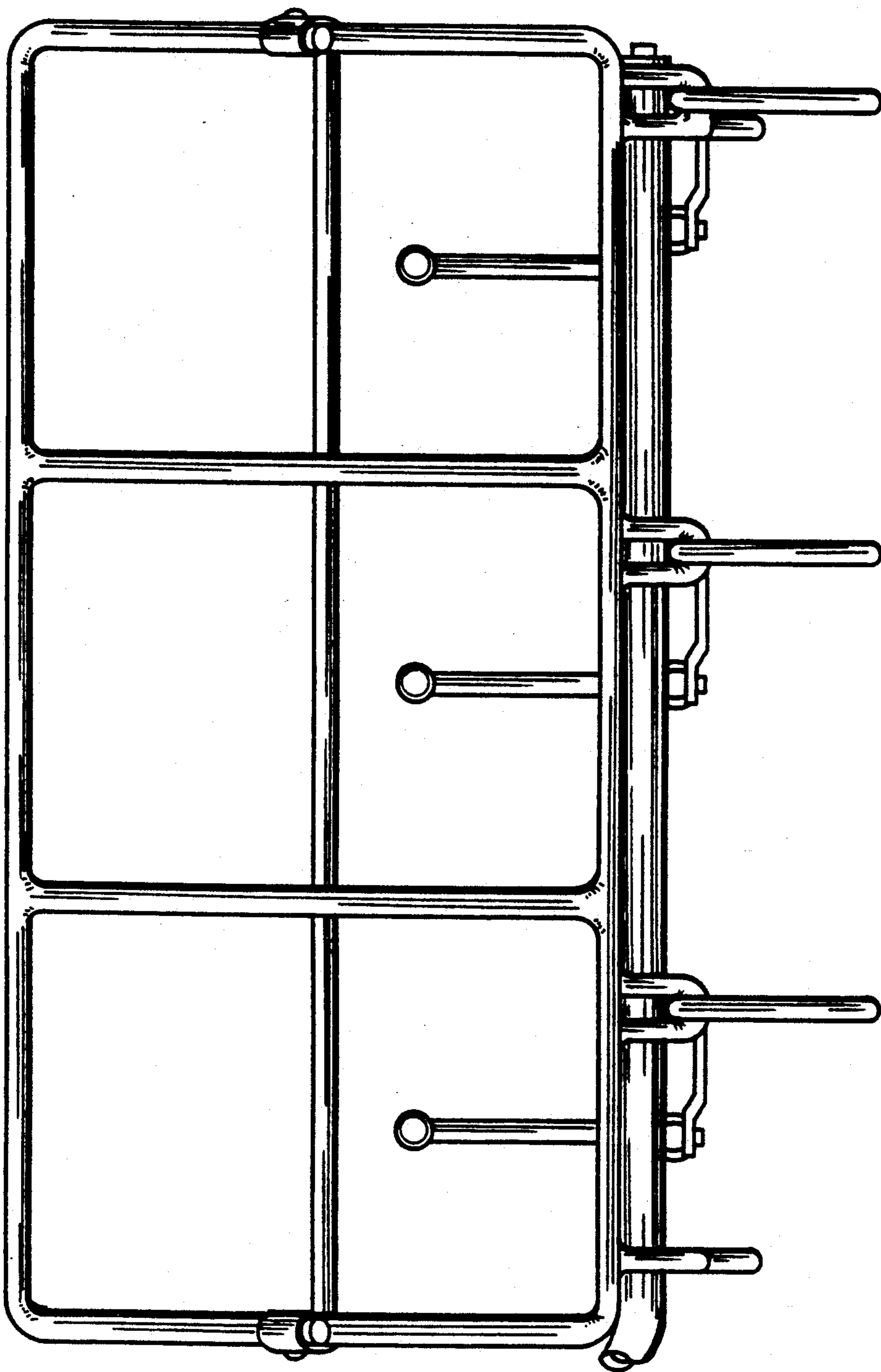


FIG. 3

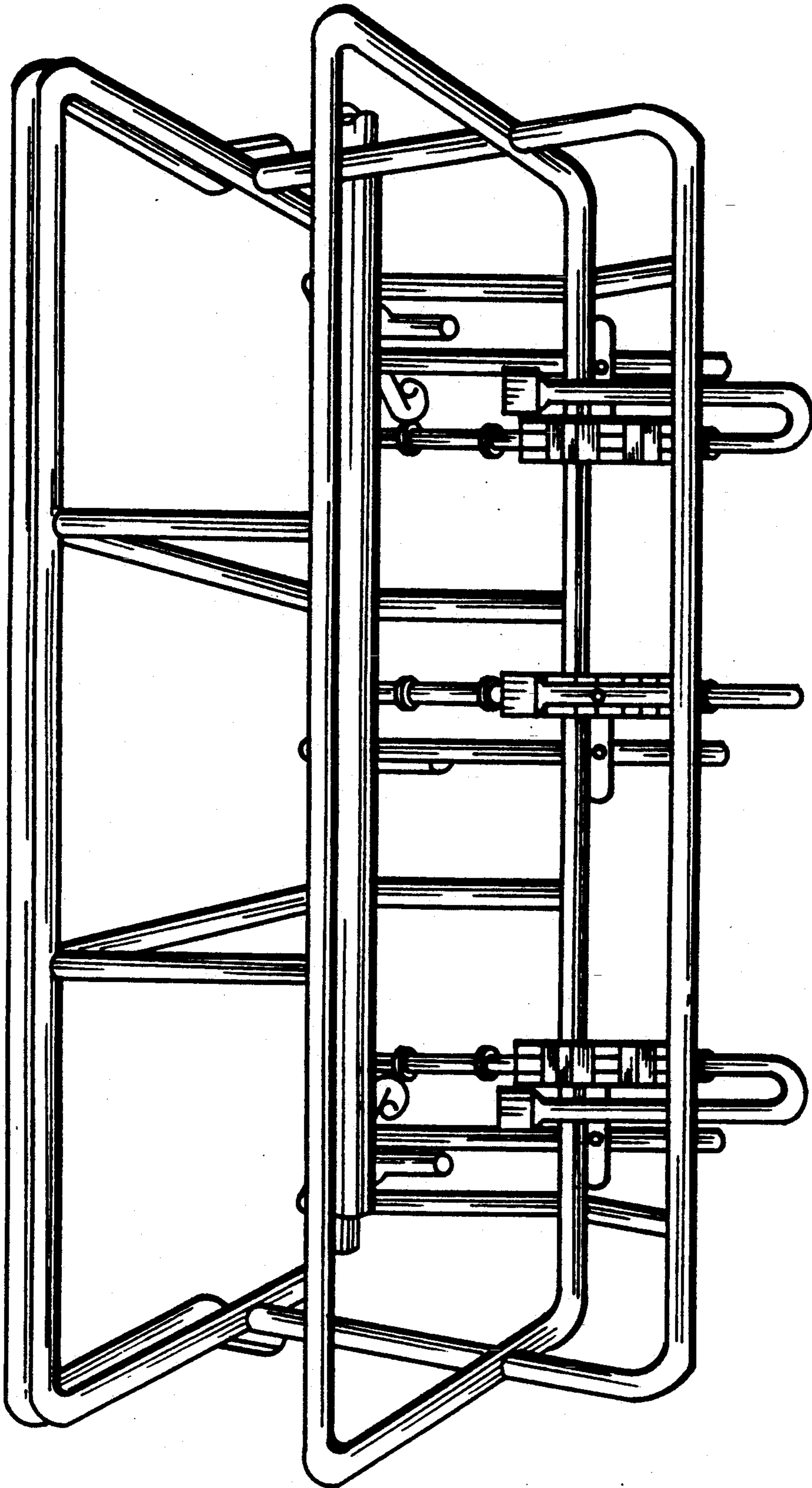


FIG. 4

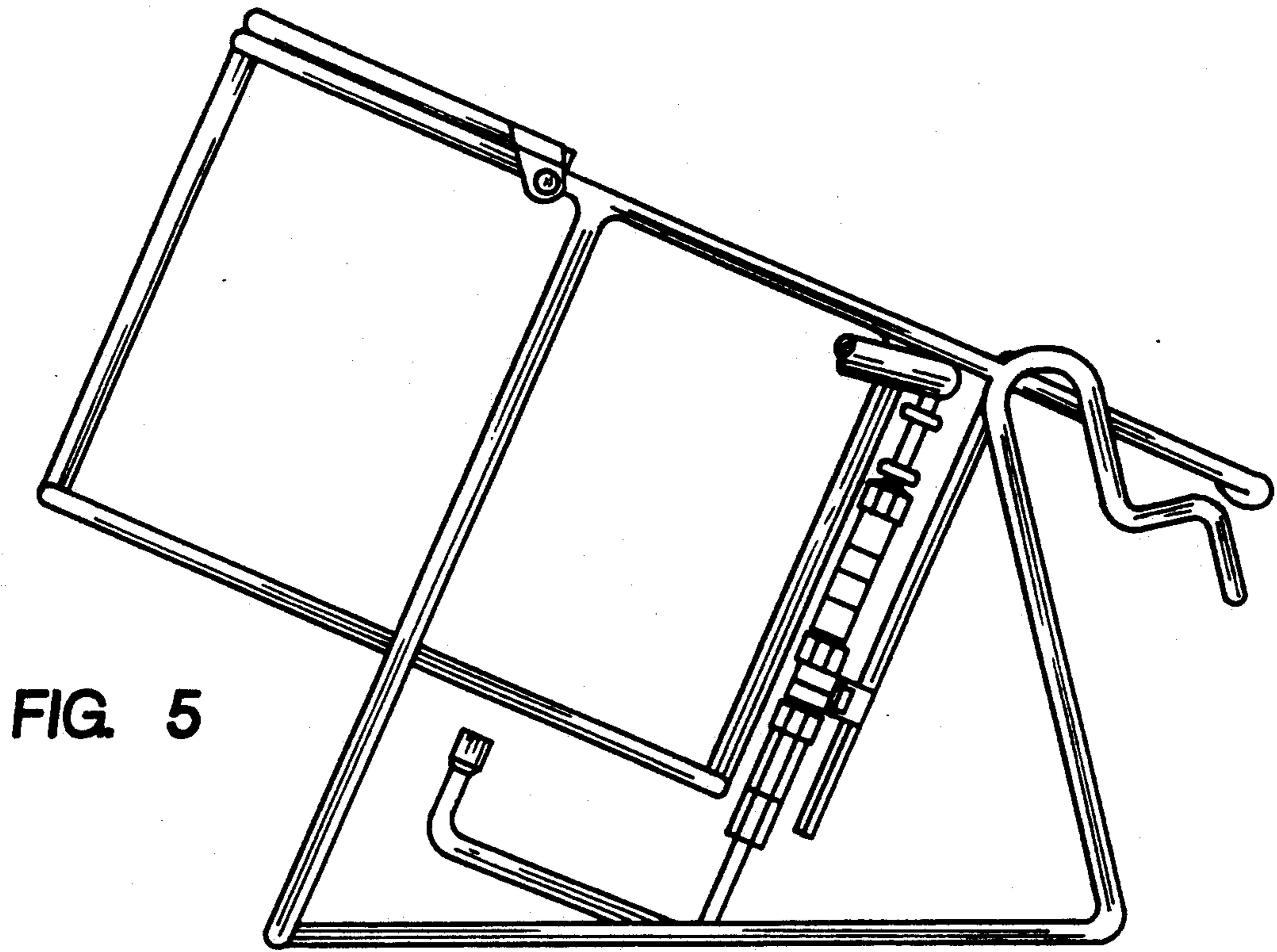


FIG. 5

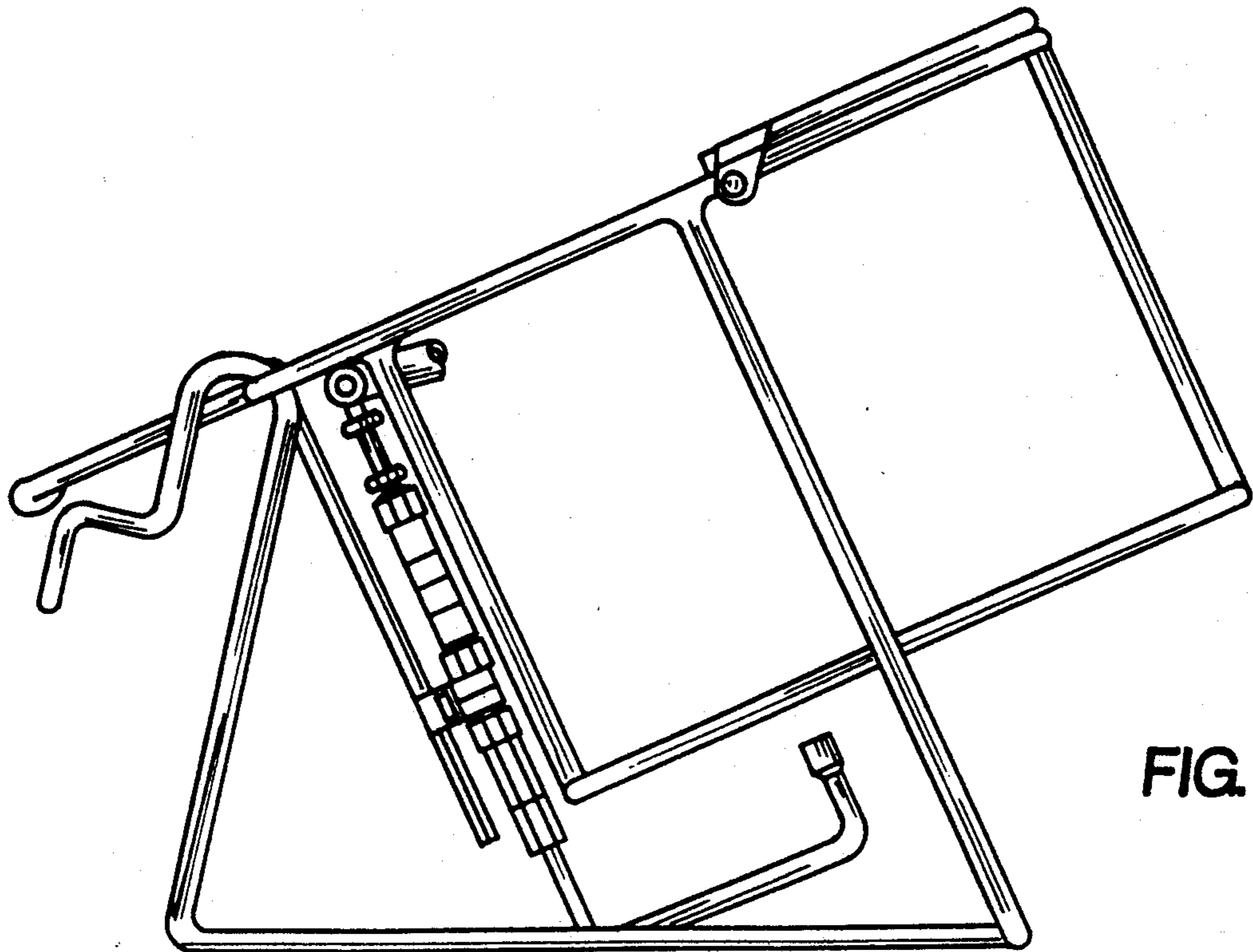


FIG. 6