



US00D338981S

United States Patent [19]

[11] Patent Number: **Des. 338,981**

Meck et al.

[45] Date of Patent: **** Aug. 31, 1993**

[54] TABLE LAMP

[75] Inventors: **Leslie A. Meck**, Blandon; **N. Peter Pettersson**, Bernville; **John Lehn**, Reading; **Peter S. Fayerman**, Gladwyn; **Michael J. Becker**, Lansdale, all of Pa.

[73] Assignee: **Baldwin Hardware Corporation**, Reading, Pa.

[**] Term: **14 Years**

[21] Appl. No.: **595,945**

[22] Filed: **Oct. 11, 1990**

[52] U.S. Cl. **D26/109**

[58] Field of Search **D26/93, 102-112; 362/410-414, 806**

[56] References Cited

U.S. PATENT DOCUMENTS

D. 318,743 7/1991 Meck et al. D26/109

OTHER PUBLICATIONS

Home Lighting & Accessories, Mar. 1988, p. 44, Signature Lighting Corp. Table Lamp (bottom).

Murray Feiss Lamp Catalog, p. L71, Table Lamp #8172.

Royal Haeger® Lamp Co. Catalog, 1977-1978, p. 49, Table Lamp #D805.

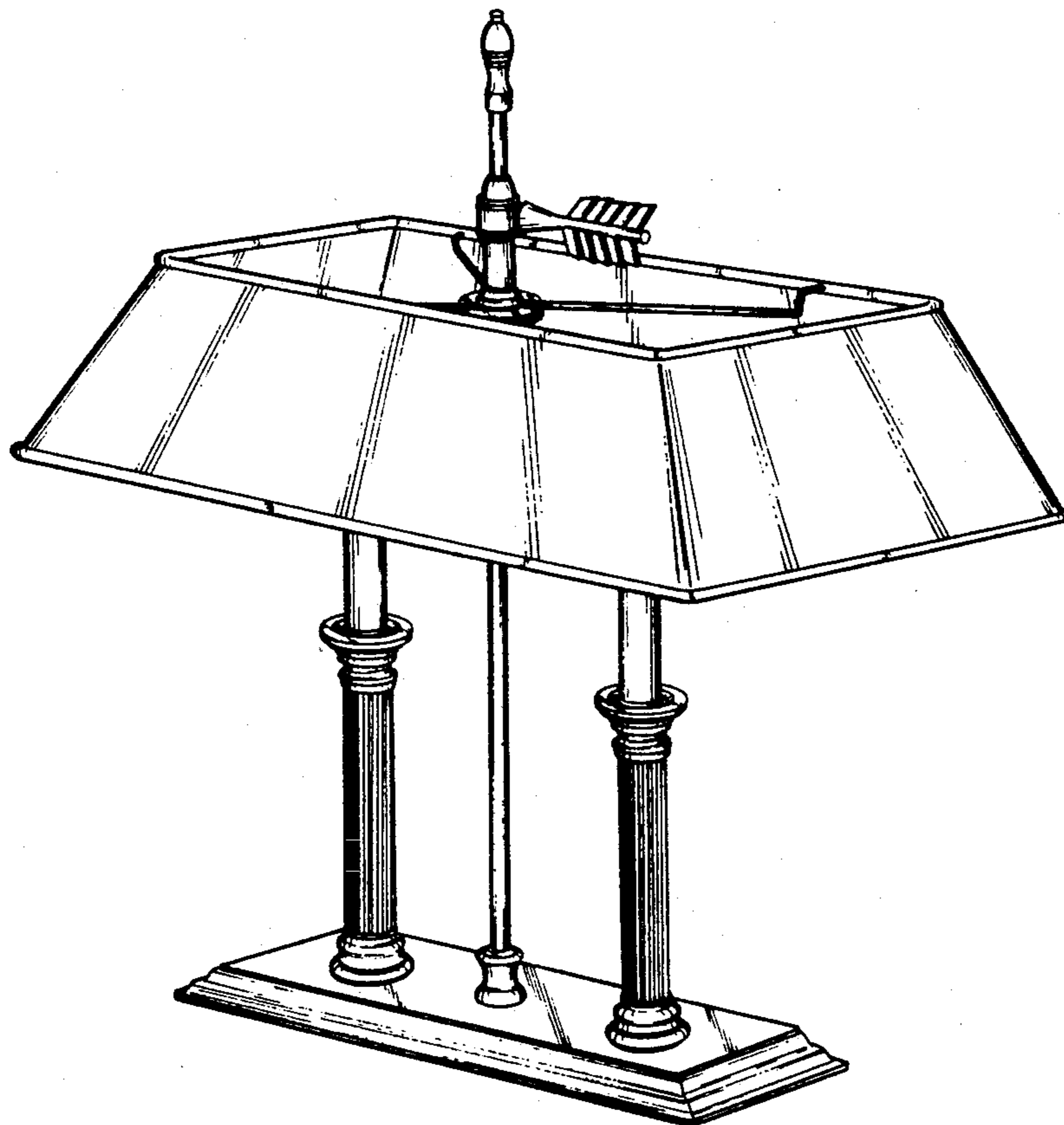
Primary Examiner—Susan J. Lucas
Attorney, Agent, or Firm—Myron B. Kapustij; Malcolm L. Sutherland

[57] CLAIM

The ornamental design for a table lamp, as shown and described.

DESCRIPTION

FIG. 1 is a front perspective view of a table lamp showing our new design;
FIG. 2 is a side elevational view thereof;
FIG. 3 is a front elevational view thereof, the rear being a mirror image;
FIG. 4 is a cross-sectional view thereof as taken along line 4-4 of FIG. 3;
FIG. 5 is an enlarged cross-sectional view thereof as taken along line 5-5 of FIG. 3;
FIG. 6 is an enlarged cross-sectional view thereof as taken along line 6-6 of FIG. 2;
FIG. 7 is an enlarged cross-sectional view thereof as taken along line 7-7 of FIG. 2;
FIG. 8 is a top plan view thereof;
FIG. 9 is a front perspective view of a second embodiment of our new design, the second embodiment differing from the first only in the configuration of the shade; and,
FIG. 10 is a top plan view thereof.



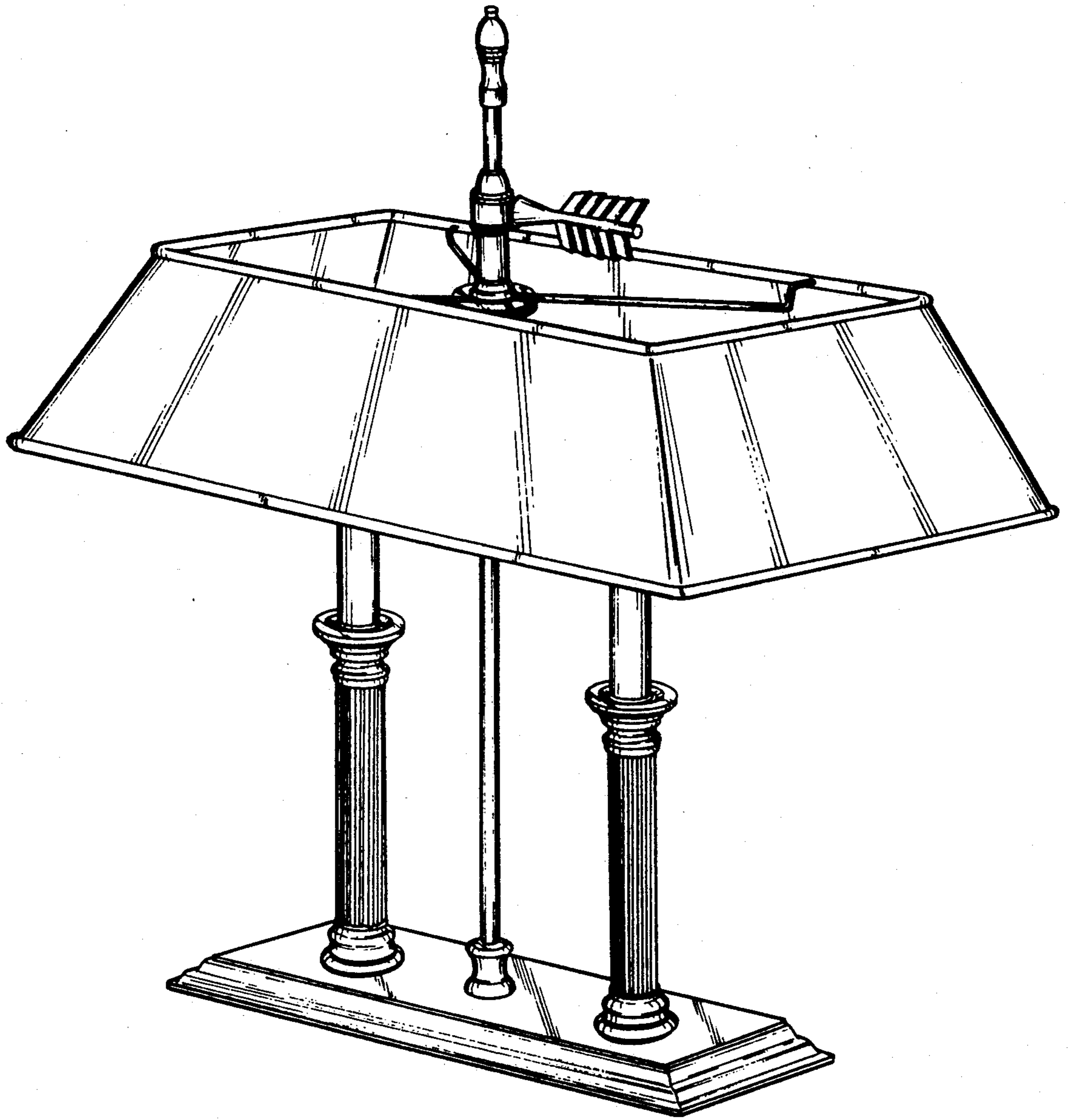


Fig-1

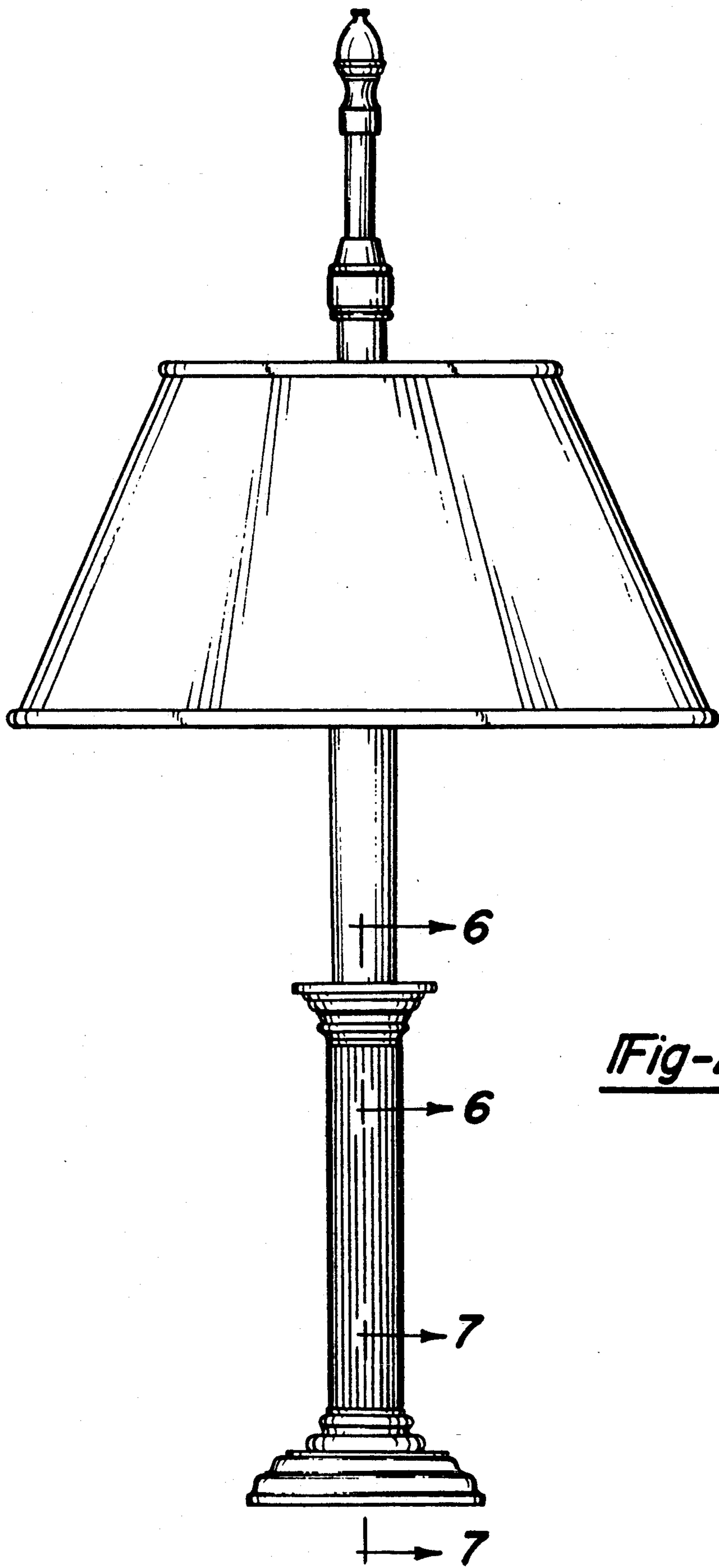


Fig-2

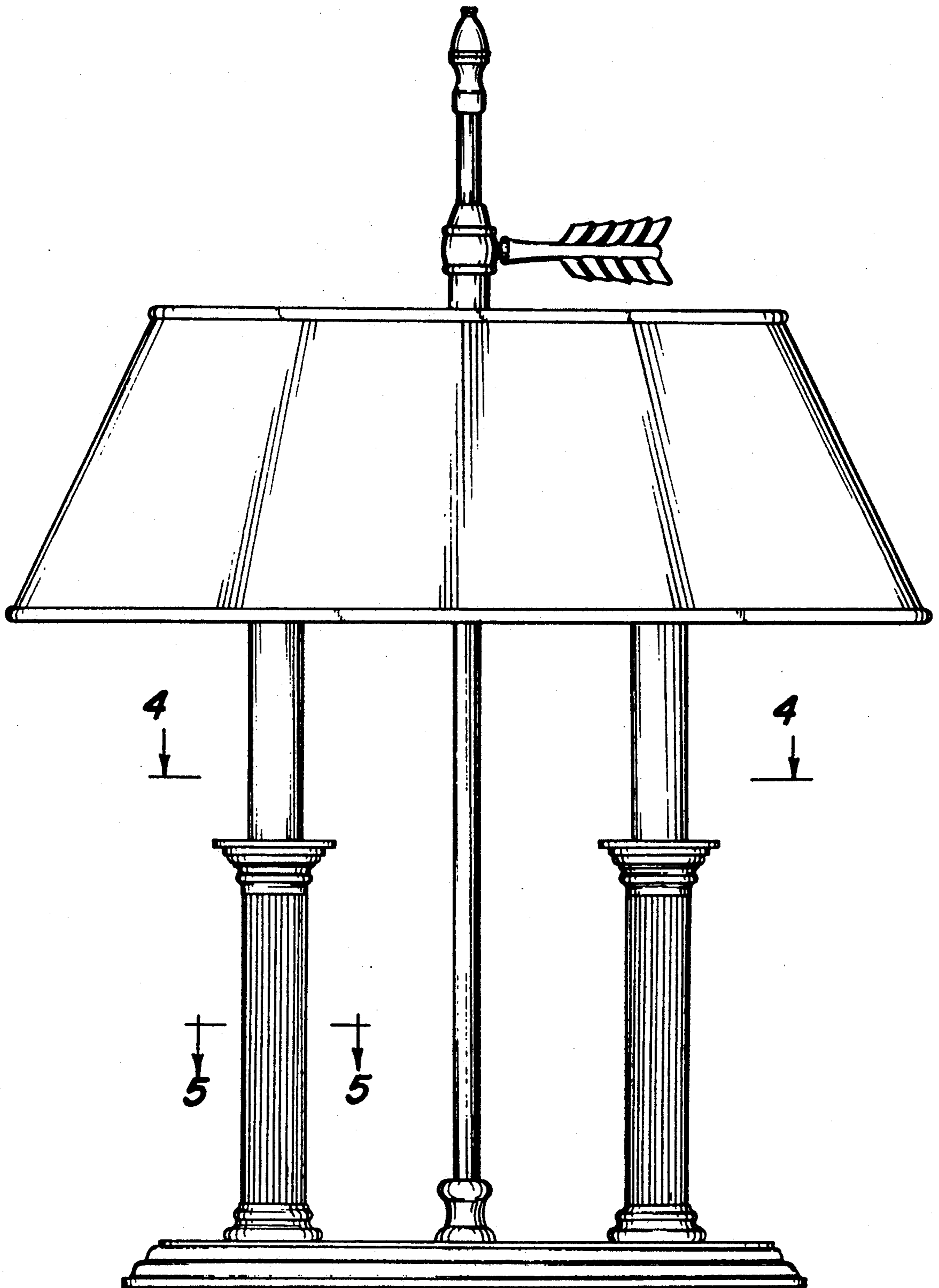


Fig-3

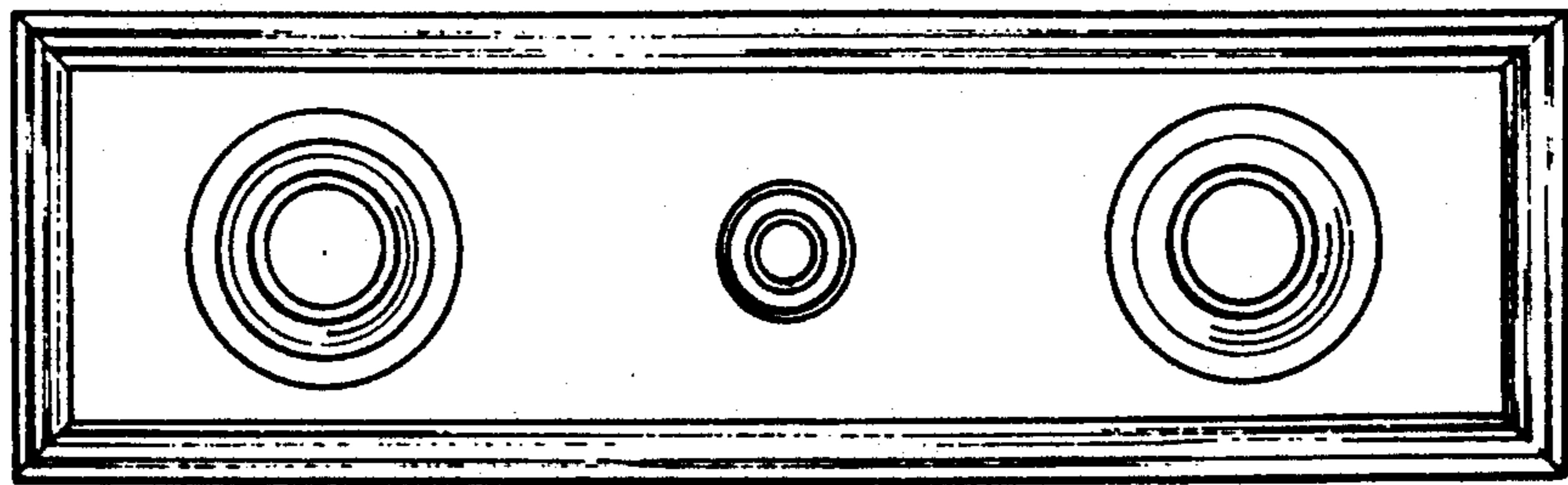


Fig-4

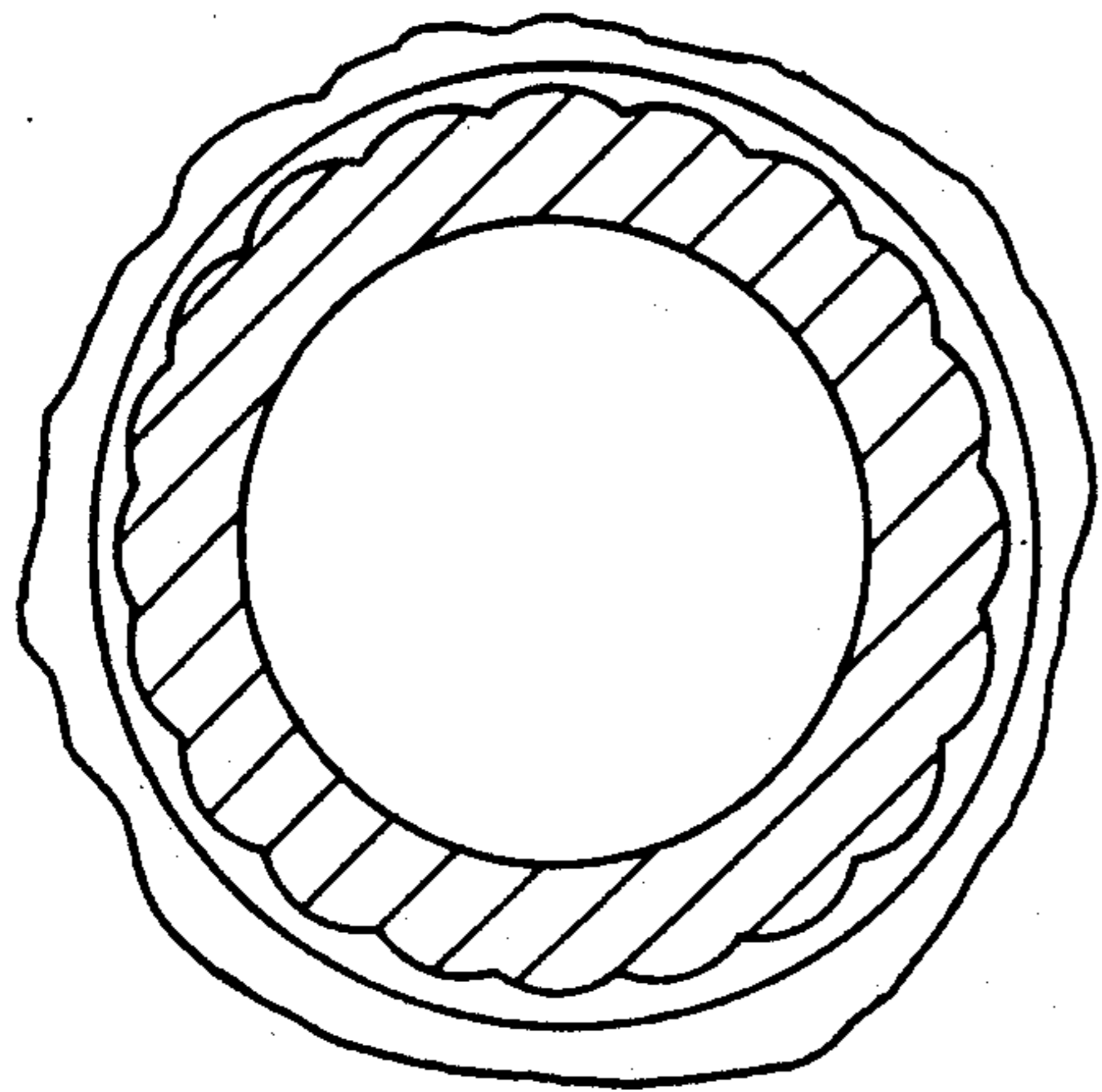


Fig-5

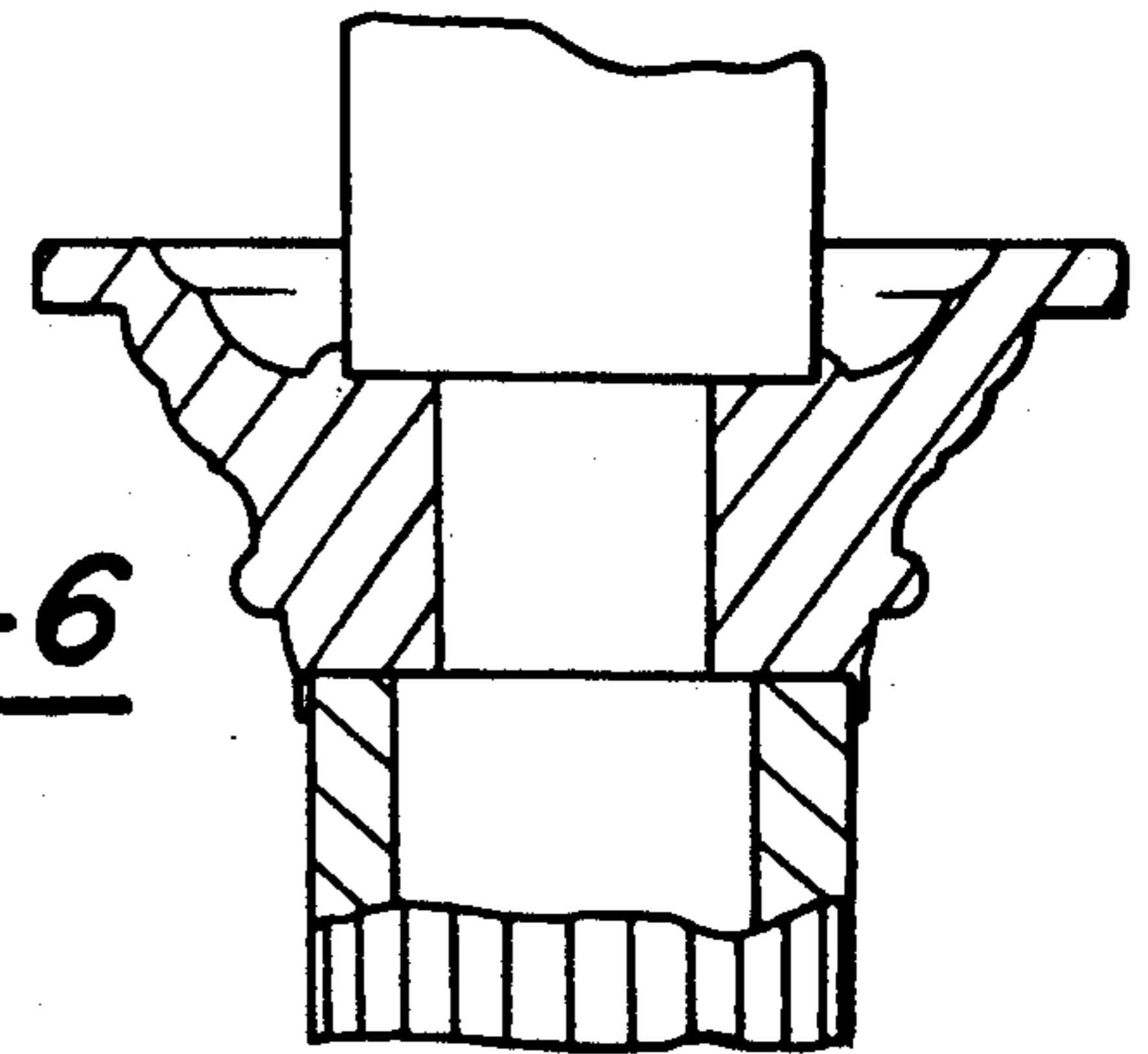


Fig-6

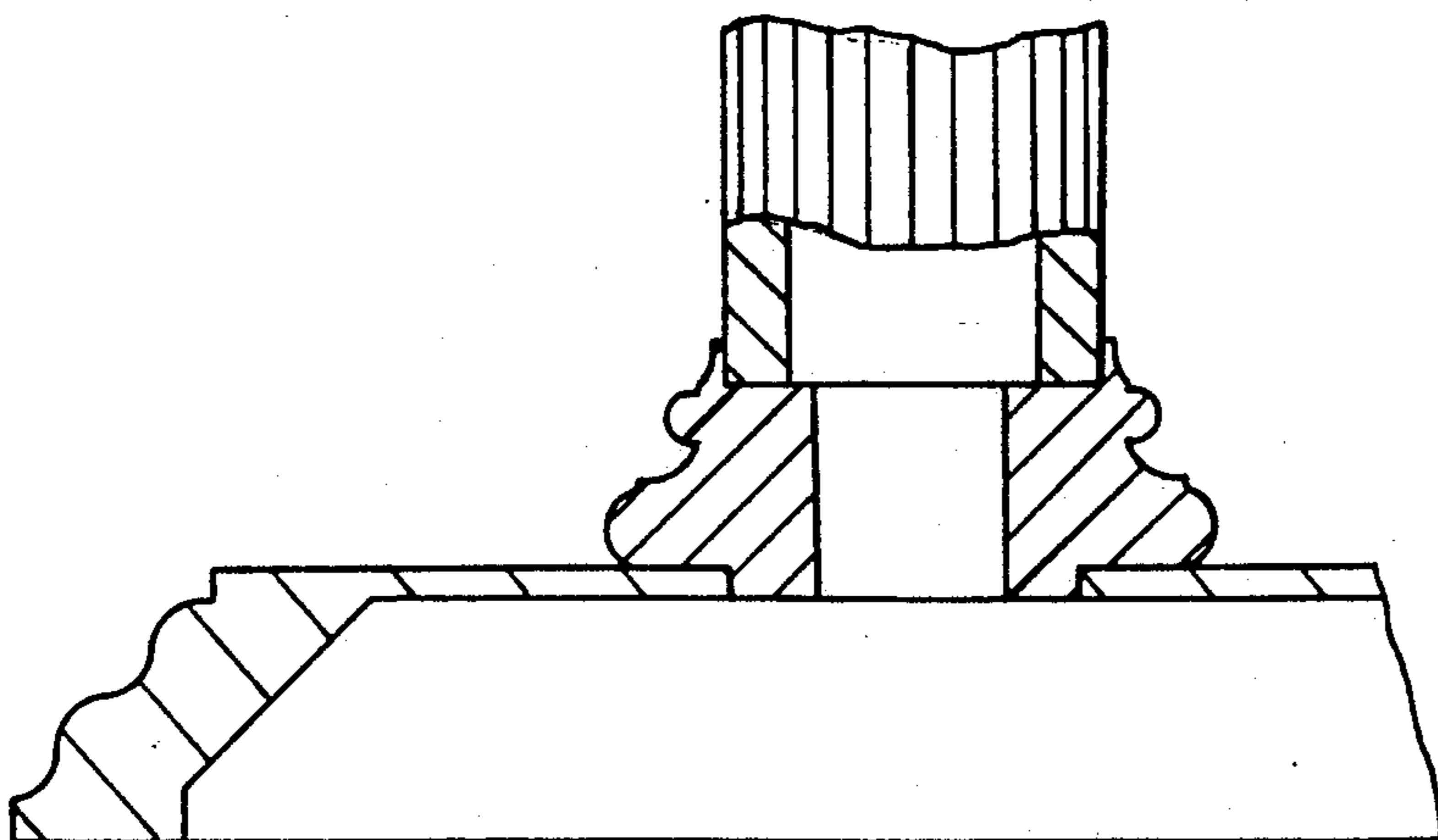


Fig-7

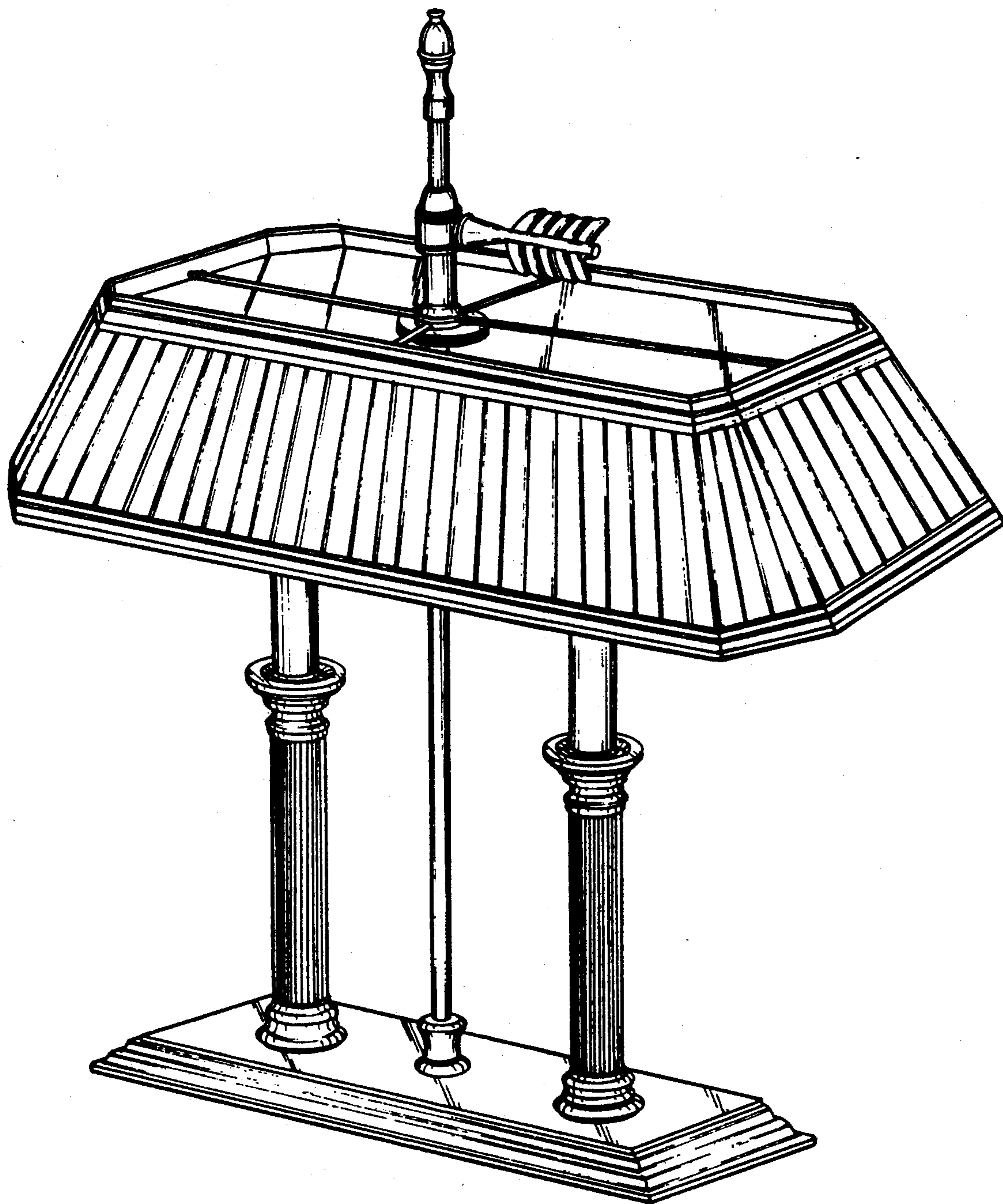


Fig-9

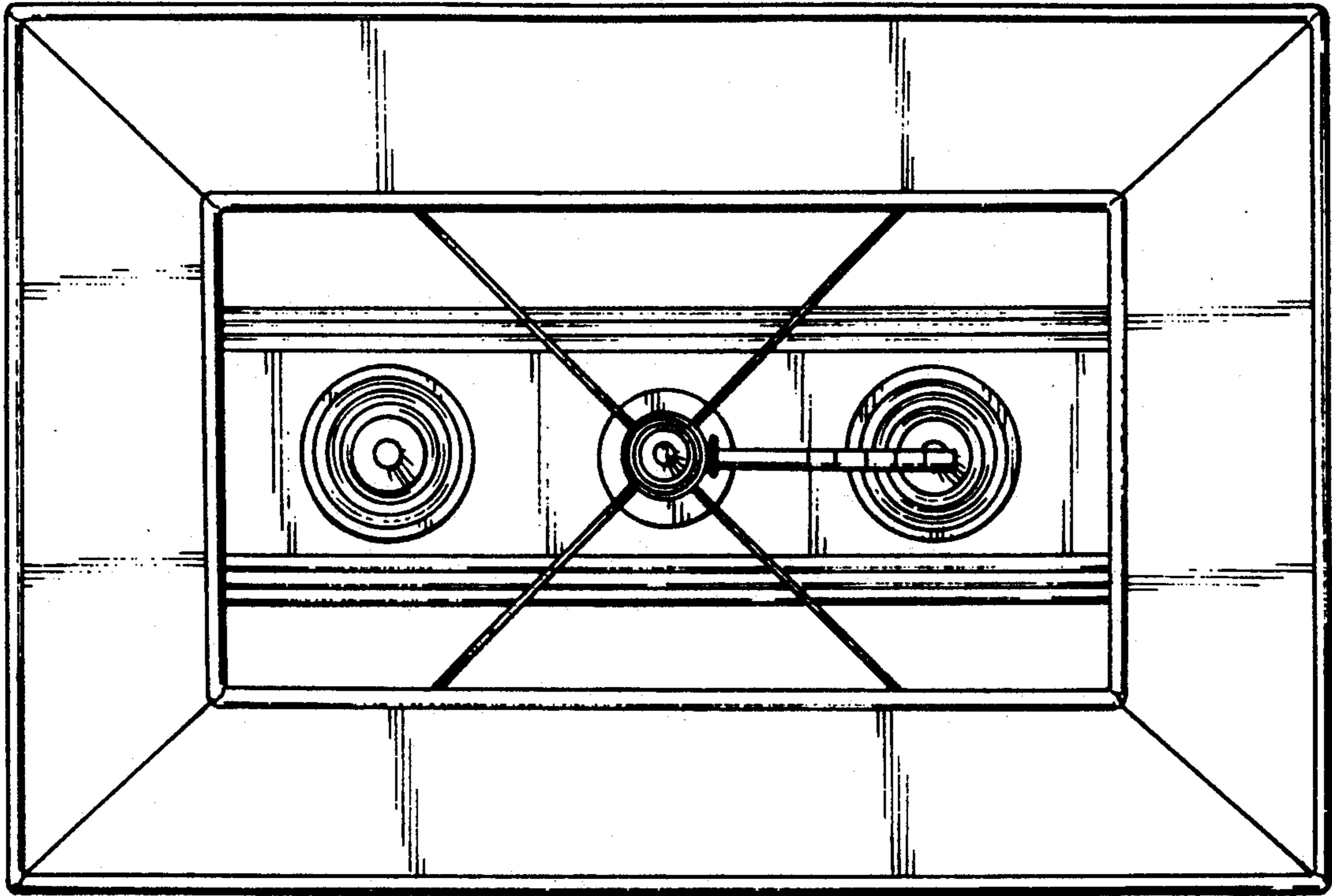


Fig-8

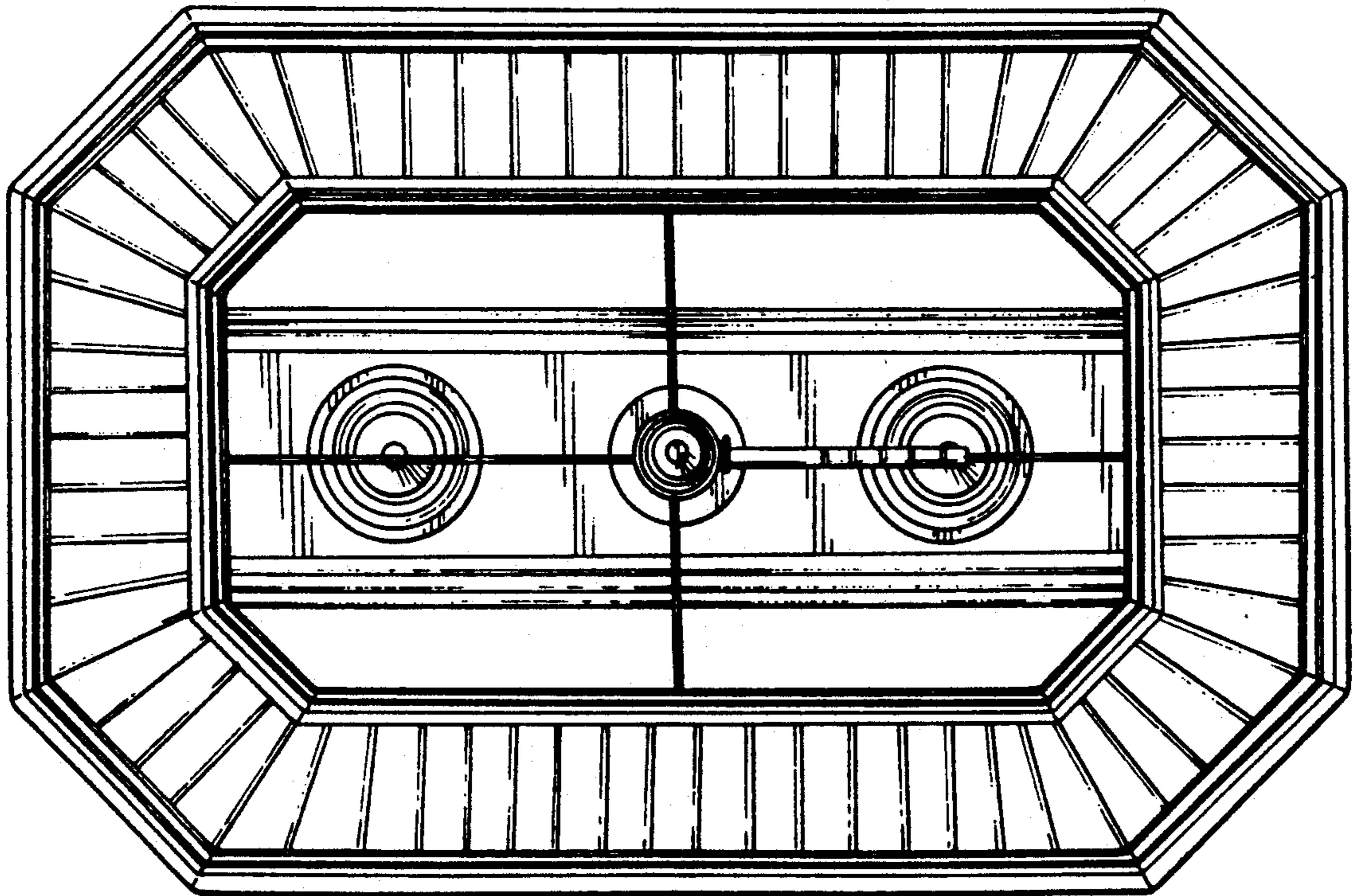


Fig-10