



US00D338976S

United States Patent [19]

[11] Patent Number: **Des. 338,976**

Miley, Jr.

[45] Date of Patent: **** Aug. 31, 1993**

[54] CLIPBOARD LIGHT

[76] Inventor: **Ronnie M. Miley, Jr.**, 3054 Meadowlands Dr., Sparks, Nev. 89431

[**] Term: **14 Years**

[21] Appl. No.: **682,021**

[22] Filed: **Apr. 8, 1991**

[52] U.S. Cl. **D26/60; D26/42**

[58] Field of Search **D26/60-66, D26/37-50; 362/188, 220-225, 98, 99, 396**

[56] References Cited

U.S. PATENT DOCUMENTS

D. 302,319 7/1989 Yuen D26/42 X
3,046,389 7/1962 Catelli et al. D26/37 X

FOREIGN PATENT DOCUMENTS

284368 4/1931 Italy 362/396

OTHER PUBLICATIONS

Home Lighting & Accessories, Dec. 1989, p. 80, cordless clip light.

Hong Kong Enterprise, Nov. 1986, p. 257, fluorescent desk light.

Primary Examiner—Susan J. Lucas

[57] CLAIM

The ornamental design for a clipboard light, as shown and described.

DESCRIPTION

FIG. 1 is a perspective view of a clipboard light showing my new design;

FIG. 2 is a left side elevational view thereof;

FIG. 3 is a right side elevational view thereof;

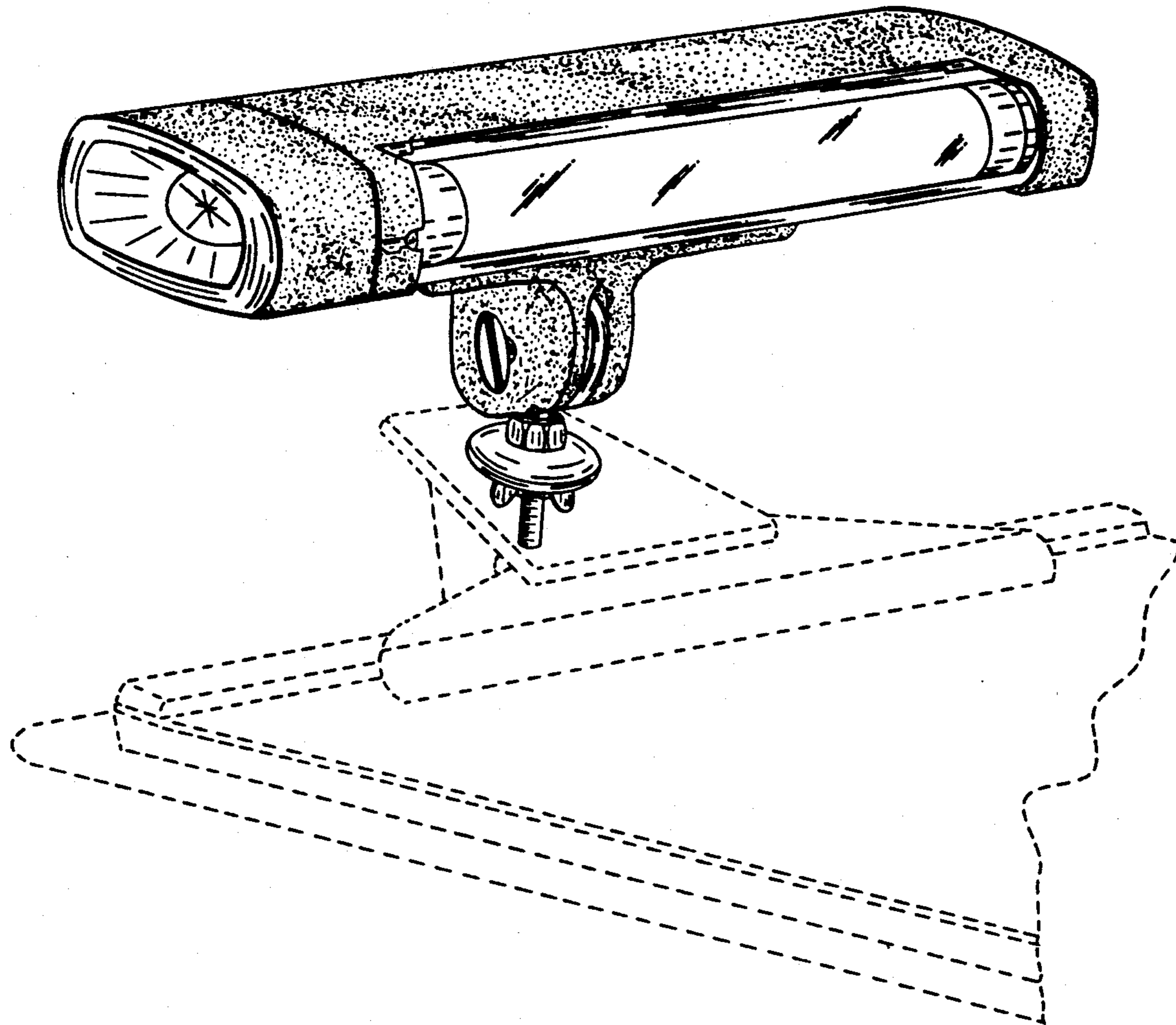
FIG. 4 is a rear elevational view thereof;

FIG. 5 is a front elevational view thereof;

FIG. 6 is a top plan view thereof; and,

FIG. 7 is an underneath plan view thereof.

The clipboard is shown in broken lines for illustrative purposes only and forms no part of the claimed design.



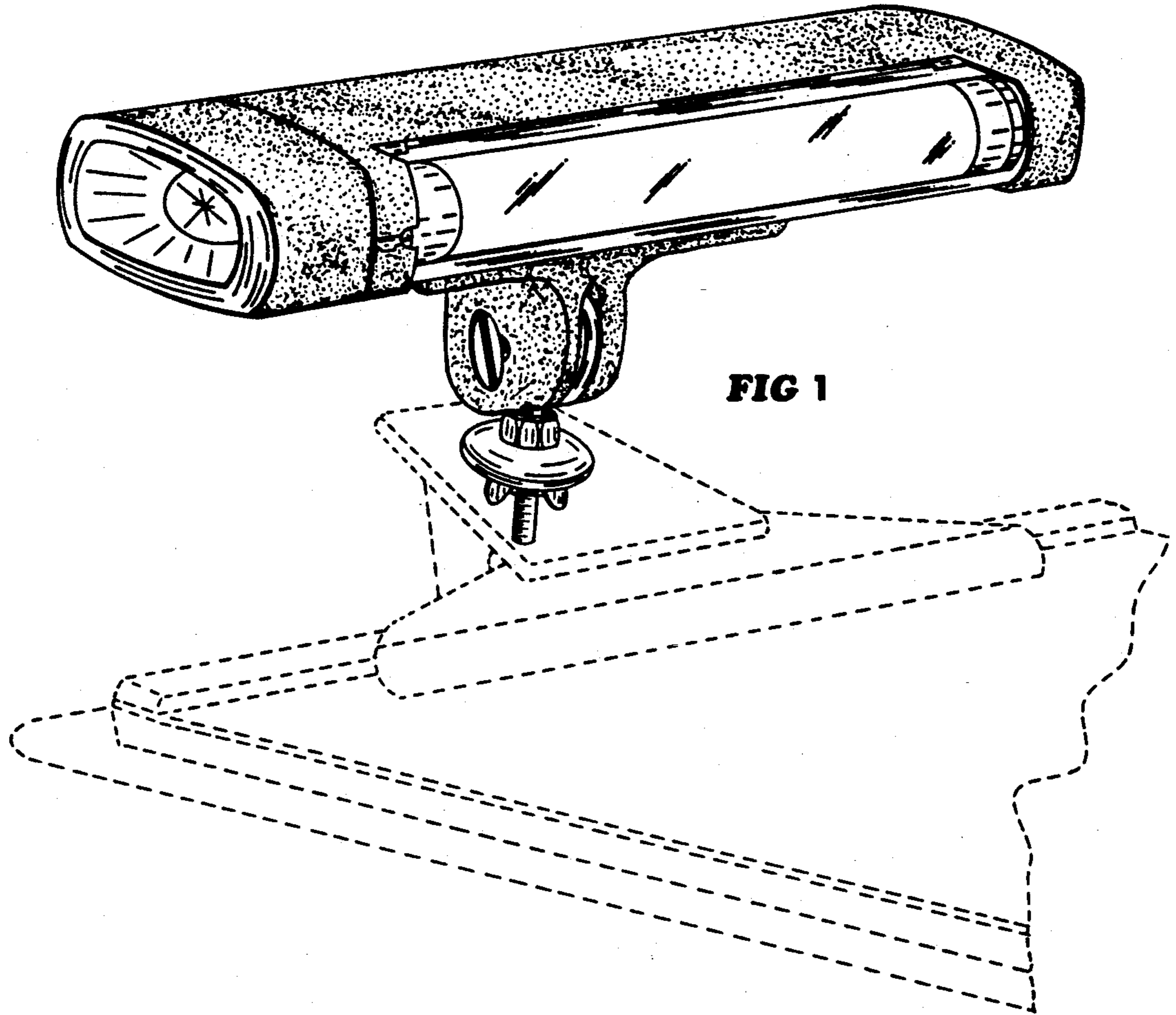


FIG 2

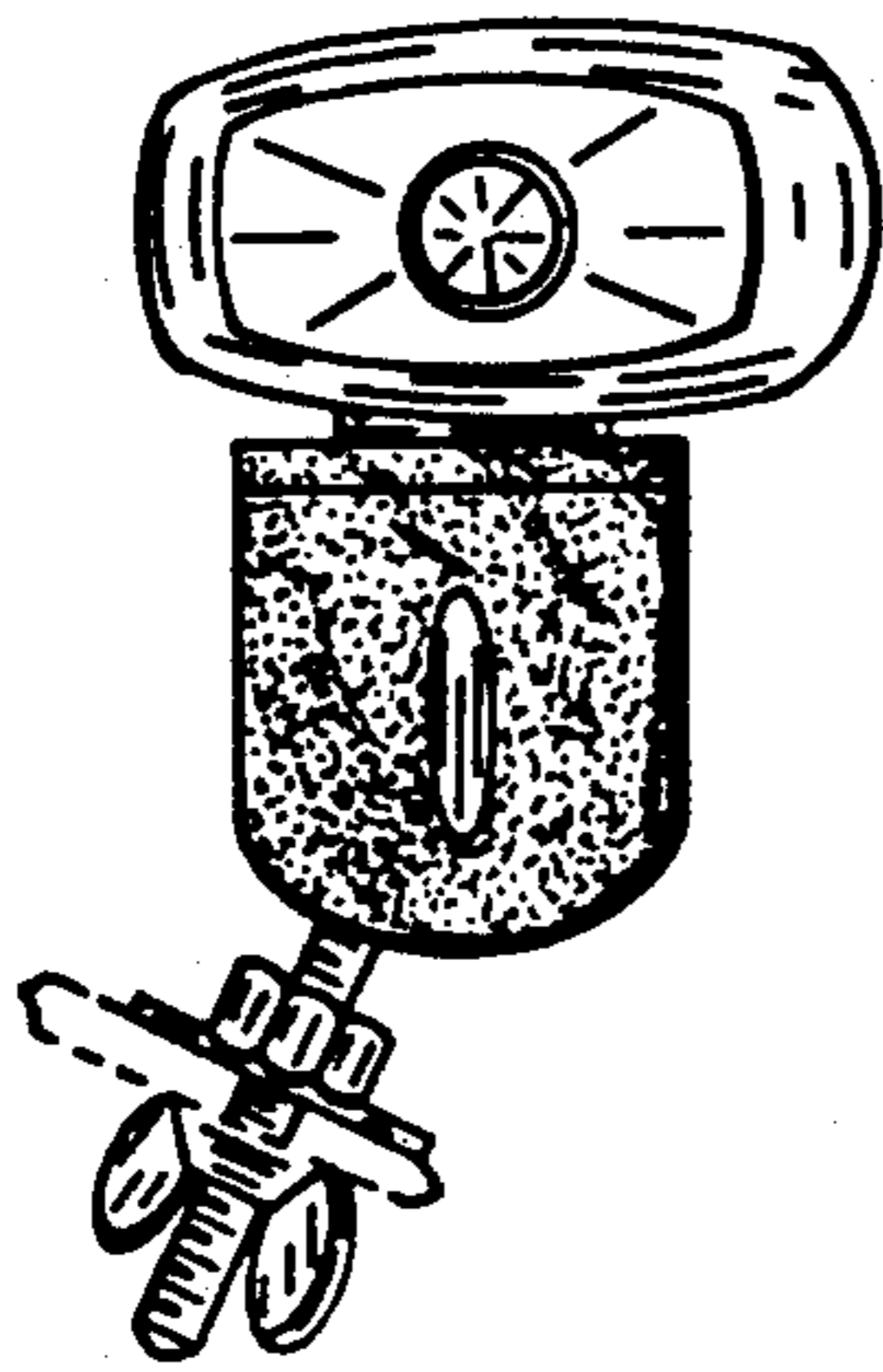


FIG 3

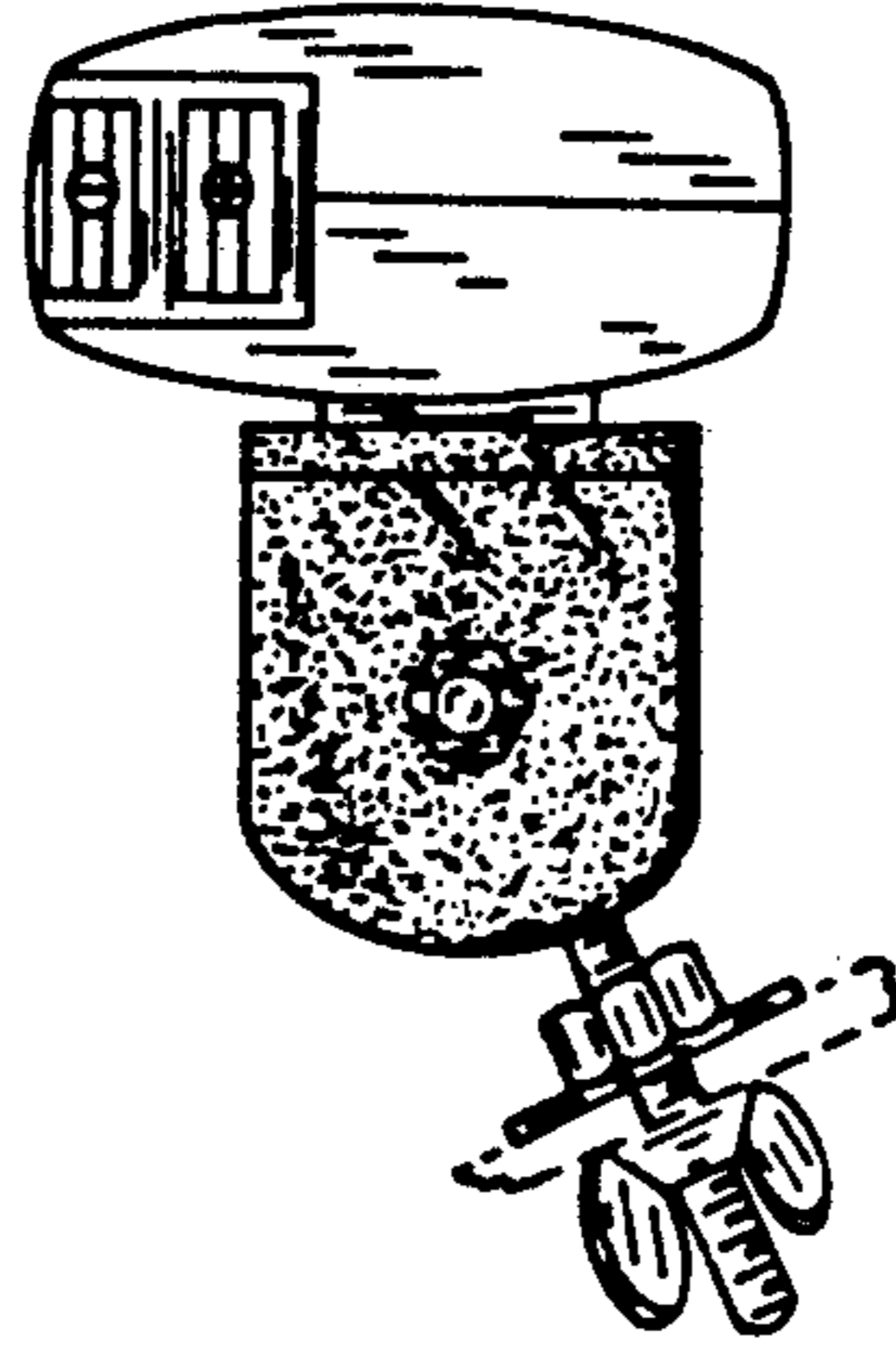


FIG 4

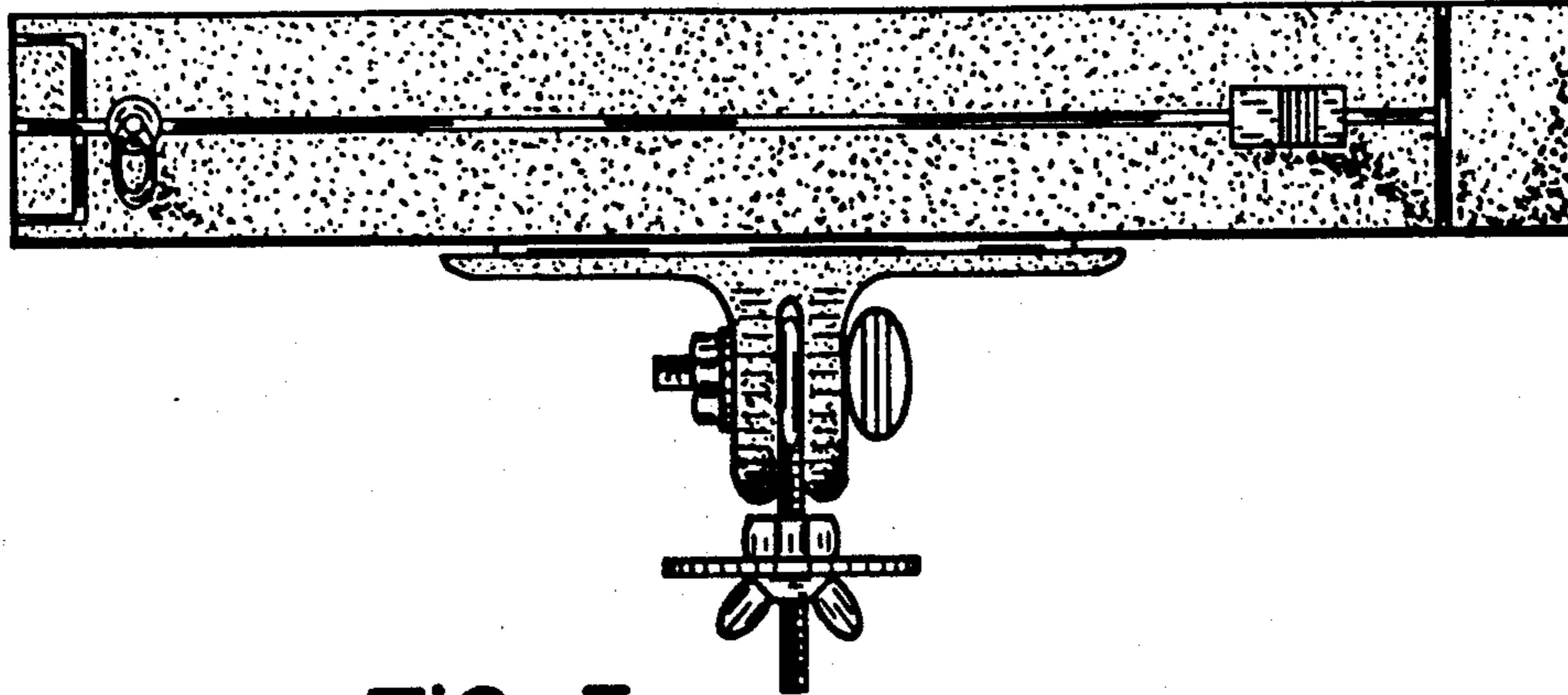


FIG 5

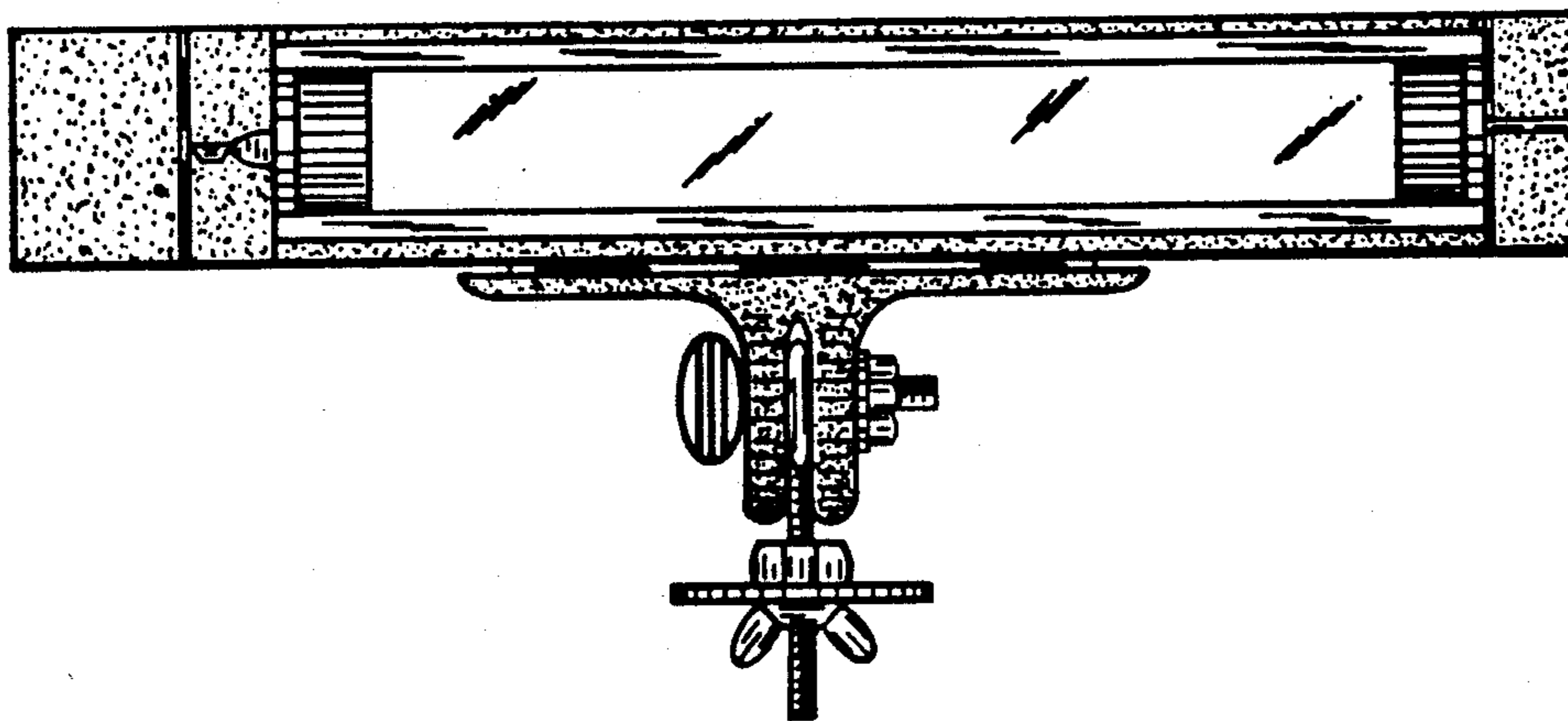


FIG 6

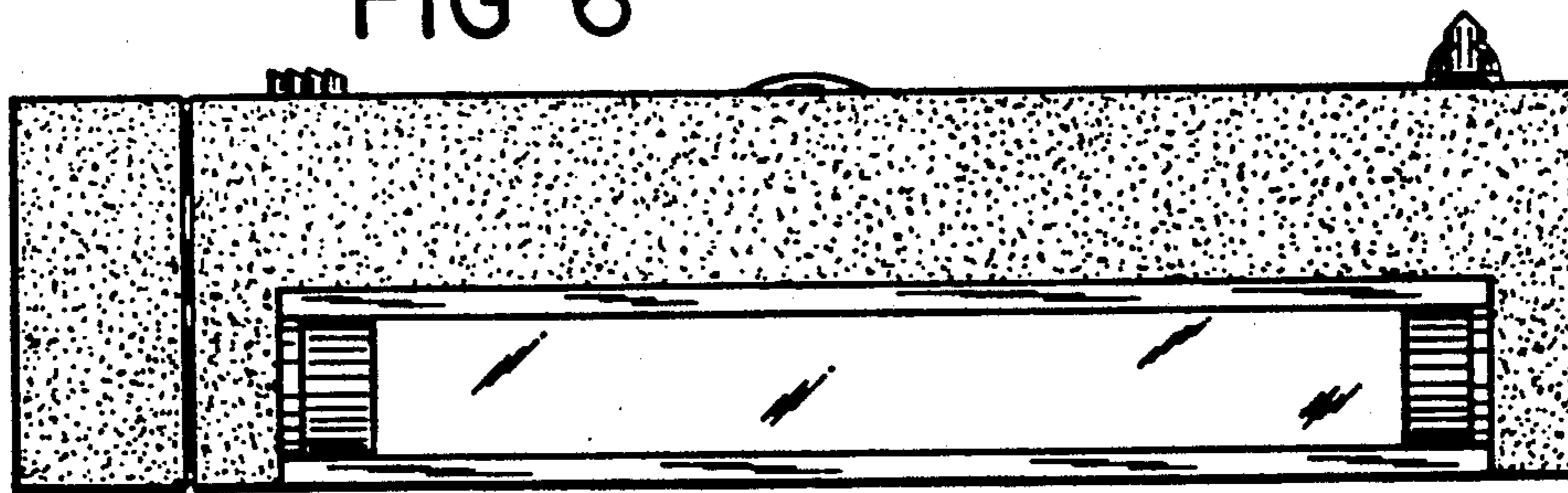


FIG 7

