



US00D338975S

United States Patent [19]

[11] Patent Number: **Des. 338,975**

Yuen

[45] Date of Patent: **** Aug. 31, 1993**

- [54] **WATERPROOF SPOTLIGHT**
- [75] Inventor: **John Se-Kit Yuen, Kowloon, Hong Kong**
- [73] Assignee: **John Manufacturing Limited, Kowloon, Hong Kong**
- [**] Term: **14 Years**
- [21] Appl. No.: **668,455**
- [22] Filed: **Mar. 12, 1991**

- D. 311,965 11/1990 McGrail et al. D26/48
- 3,252,733 5/1966 Moore et al. 362/157

FOREIGN PATENT DOCUMENTS

- 979455 11/1977 United Kingdom .
- 1017424 7/1984 United Kingdom .
- 1029684 3/1986 United Kingdom .

Primary Examiner—Susan J. Lucas
Attorney, Agent, or Firm—Fay, Sharpe, Beall, Fagan, Minnich & McKee

[30] Foreign Application Priority Data

- Sep. 14, 1990 [GB] United Kingdom 2009654
- [52] U.S. Cl. **D26/48**
- [58] Field of Search **D26/37-50;**
 362/157, 158, 183-191, 196, 197, 198, 199, 200,
 202, 205

[57] CLAIM

The ornamental design for a waterproof spotlight, as shown and described.

DESCRIPTION

FIG. 1 is a plan view of a waterproof spotlight showing my new design;
 FIG. 2 is a side elevational view thereof the opposite side being a mirror image;
 FIG. 3 is an underneath plan view thereof;
 FIG. 4 is a front end view thereof; and,
 FIG. 5 is a rear end view thereof.

[56] References Cited

U.S. PATENT DOCUMENTS

- D. 284,309 6/1986 Schosser et al. D26/48
- D. 308,256 5/1990 Ohashi D26/48

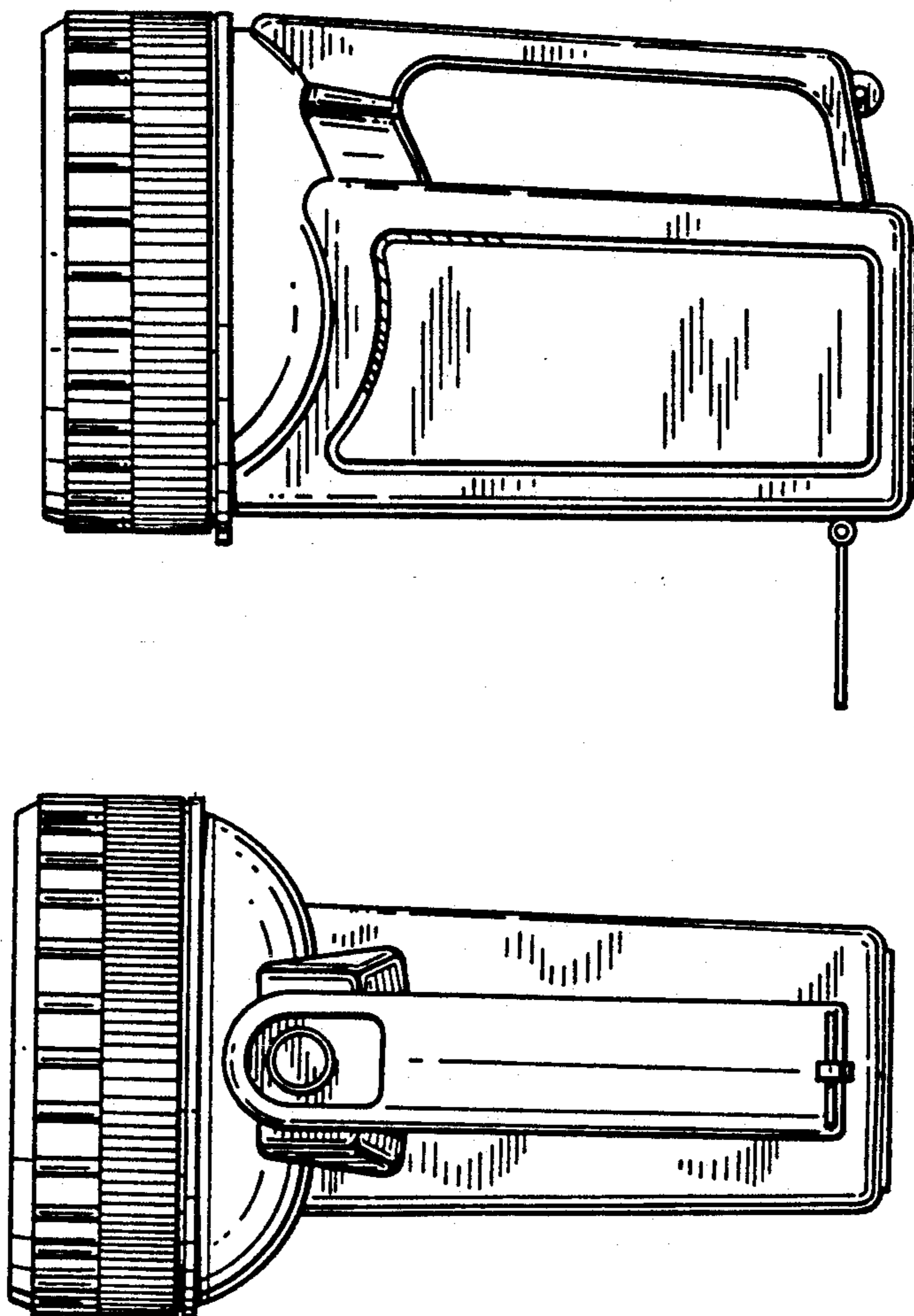


FIG. 1

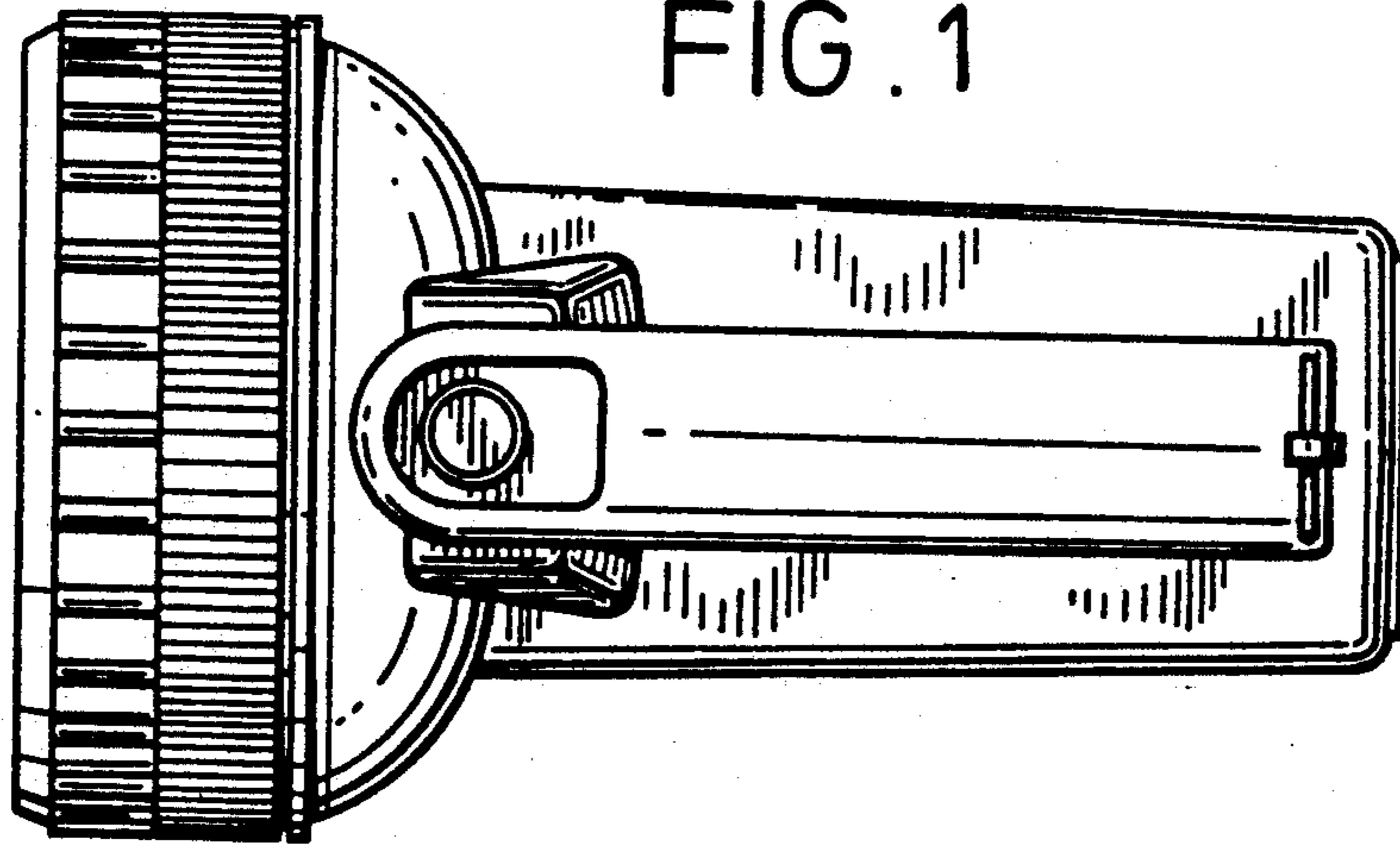


FIG. 2

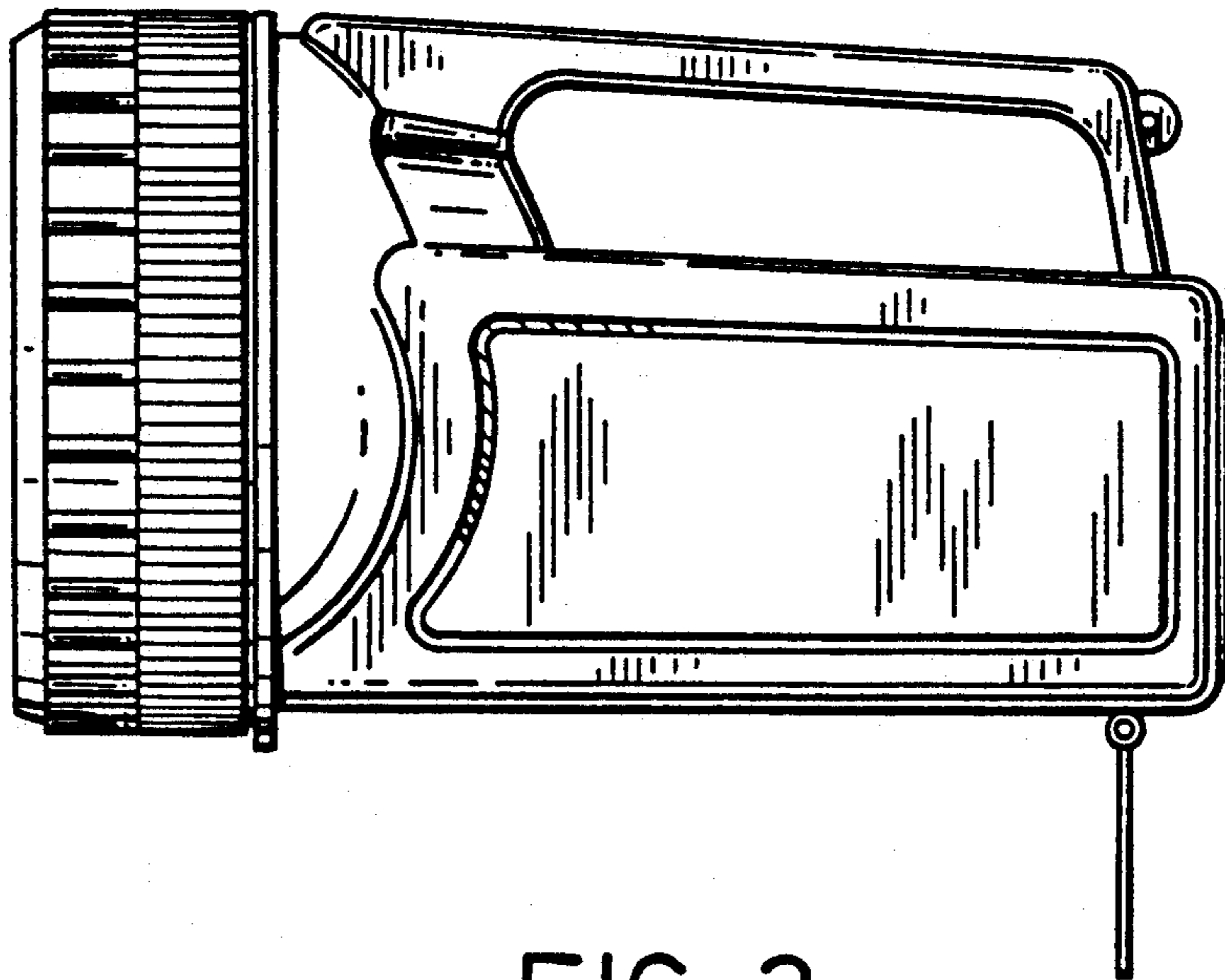


FIG. 3

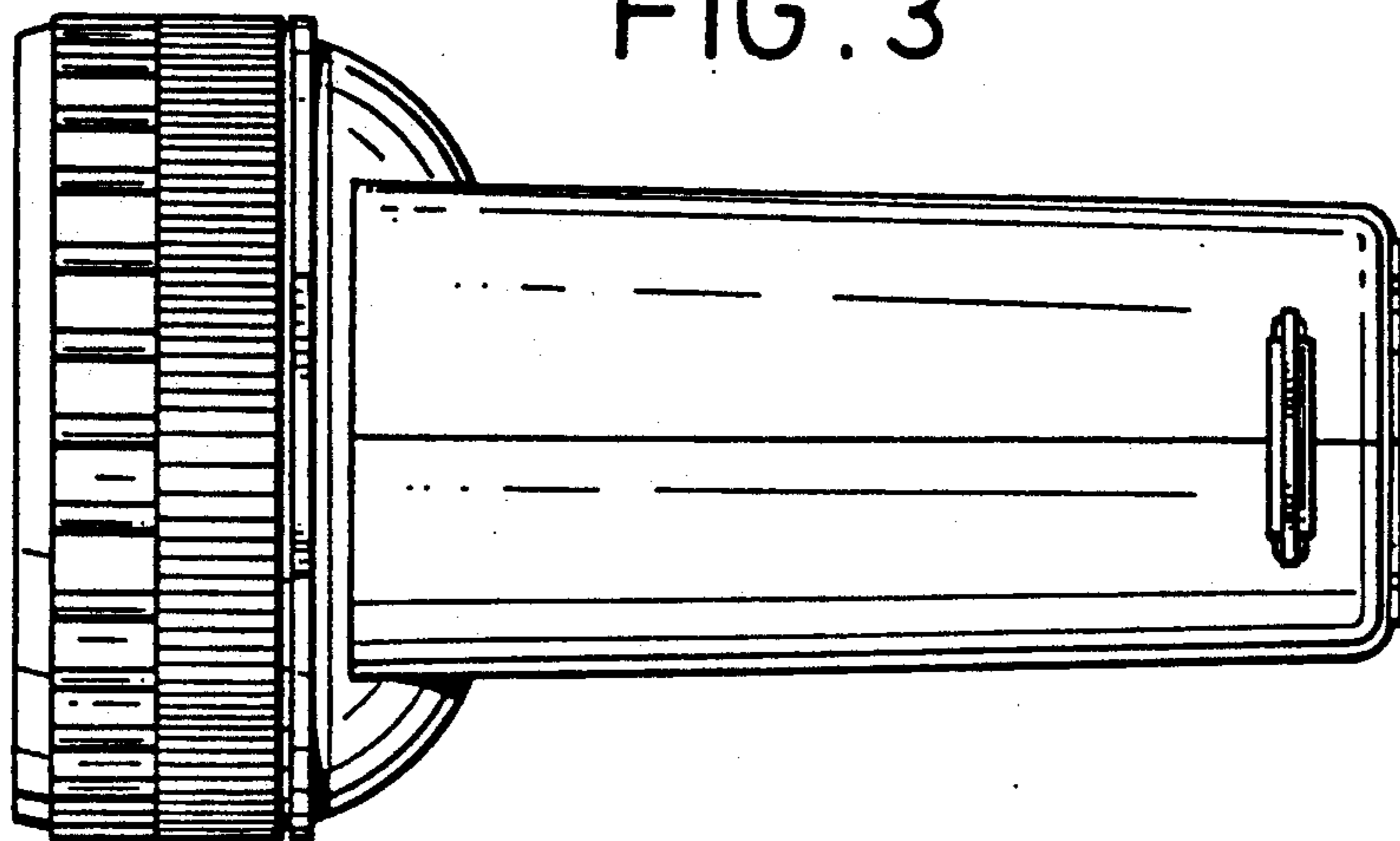


FIG. 4

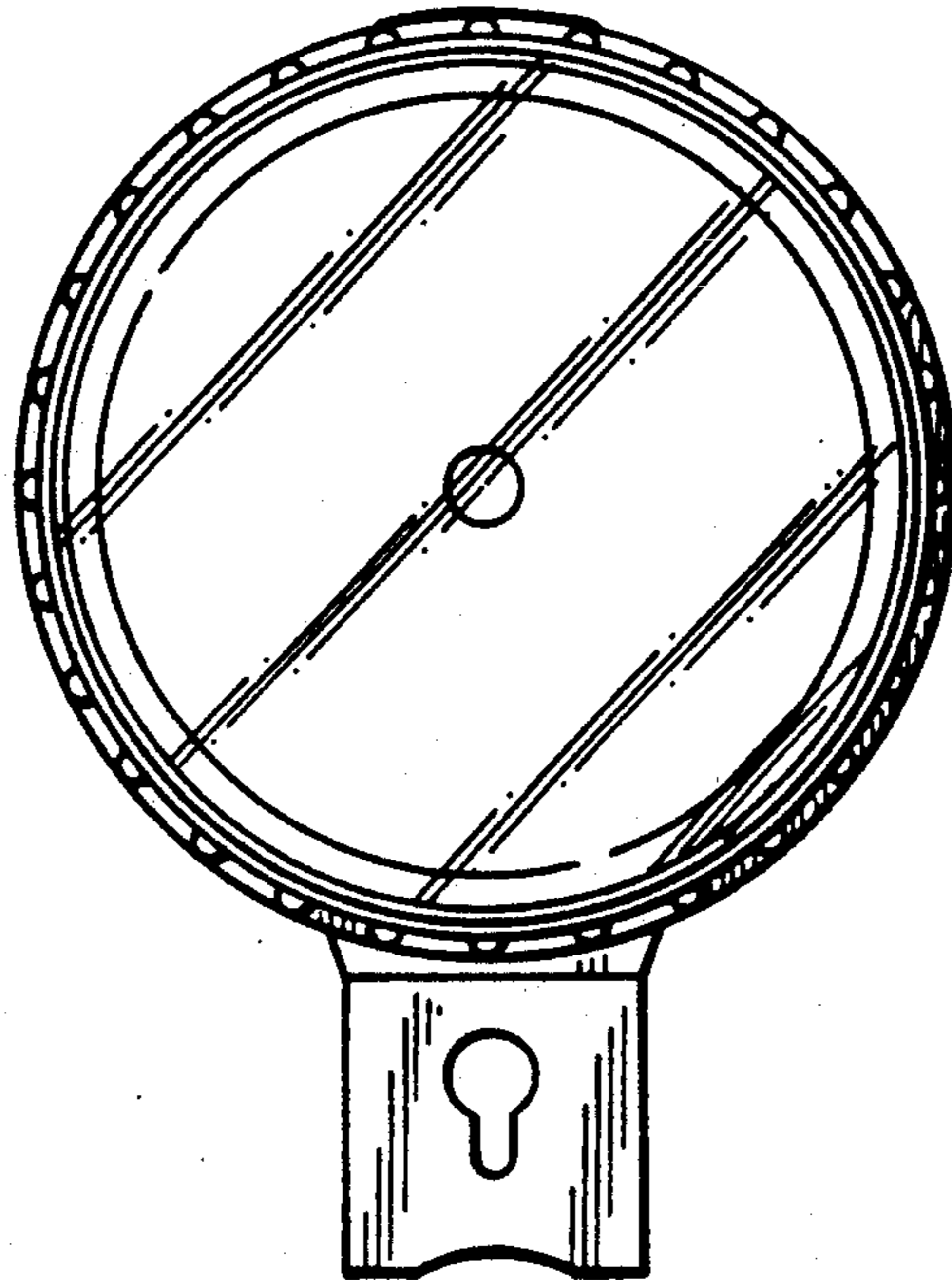


FIG. 5

